



US00D692052S

(12) **United States Design Patent**
Ishizawa et al.

(10) **Patent No.:** **US D692,052 S**

(45) **Date of Patent:** **** Oct. 22, 2013**

(54) **INK CARTRIDGE**

(75) Inventors: **Taku Ishizawa**, Shiojiri (JP); **Hiroyuki Kawate**, Hokuto (JP); **Hiroshi Nose**, Shiojiri (JP)

(73) Assignee: **Seiko Epson Corporation**, Tokyo (JP)

(**) Term: **14 Years**

(21) Appl. No.: **29/419,199**

(22) Filed: **Apr. 26, 2012**

(30) **Foreign Application Priority Data**

Feb. 22, 2012 (JP) 2012-003621

(51) **LOC (9) Cl.** **18-02**

(52) **U.S. Cl.**

USPC **D18/56**

(58) **Field of Classification Search**

USPC D18/12, 43, 56; 347/86-87

See application file for complete search history.

(56) **References Cited**

U.S. PATENT DOCUMENTS

D438,560 S *	3/2001	Inoue et al.	D18/56
D563,462 S	3/2008	Wanibe		
D563,463 S	3/2008	Ishizawa		
D563,464 S	3/2008	Ishizawa		
D563,465 S	3/2008	Ishizawa		
D563,466 S	3/2008	Wanibe		
D563,467 S	3/2008	Wanibe		
D580,107 S	11/2008	Ishizawa		
D583,861 S	12/2008	Wanibe		
D627,818 S	11/2010	Ishizawa		
7,942,510 B2 *	5/2011	Shinada et al.	347/86

7,992,984 B2 *	8/2011	Toba et al.	347/86
D666,240 S *	8/2012	Kawate et al.	D18/56
2007/0126827 A1 *	6/2007	Katsumura	347/86

FOREIGN PATENT DOCUMENTS

EM 000637137-0003 1/2007

OTHER PUBLICATIONS

Office Action for Russian Patent Application No. 2012501526 issued on Nov. 15, 2012.

* cited by examiner

Primary Examiner — Cathy A MacCormac

(57) **CLAIM**

The ornamental design for an ink cartridge, as shown and described.

DESCRIPTION

FIG. 1 is a front, top, and left side perspective view of an ink cartridge showing our new design;

FIG. 2 is a rear, bottom, and right side perspective view thereof;

FIG. 3 is a front view thereof;

FIG. 4 is a rear view thereof;

FIG. 5 is a top plan view thereof;

FIG. 6 is a bottom plan view thereof;

FIG. 7 is a right side view thereof;

FIG. 8 is a left side view thereof; and,

FIG. 9 is a front, top, and left side perspective view of a further embodiment that is the same as the embodiment of FIG. 1 except for the addition of a logo.

The features shown in broken lines in the drawings depict environmental subject matter only and form no part of the claimed design.

1 Claim, 9 Drawing Sheets

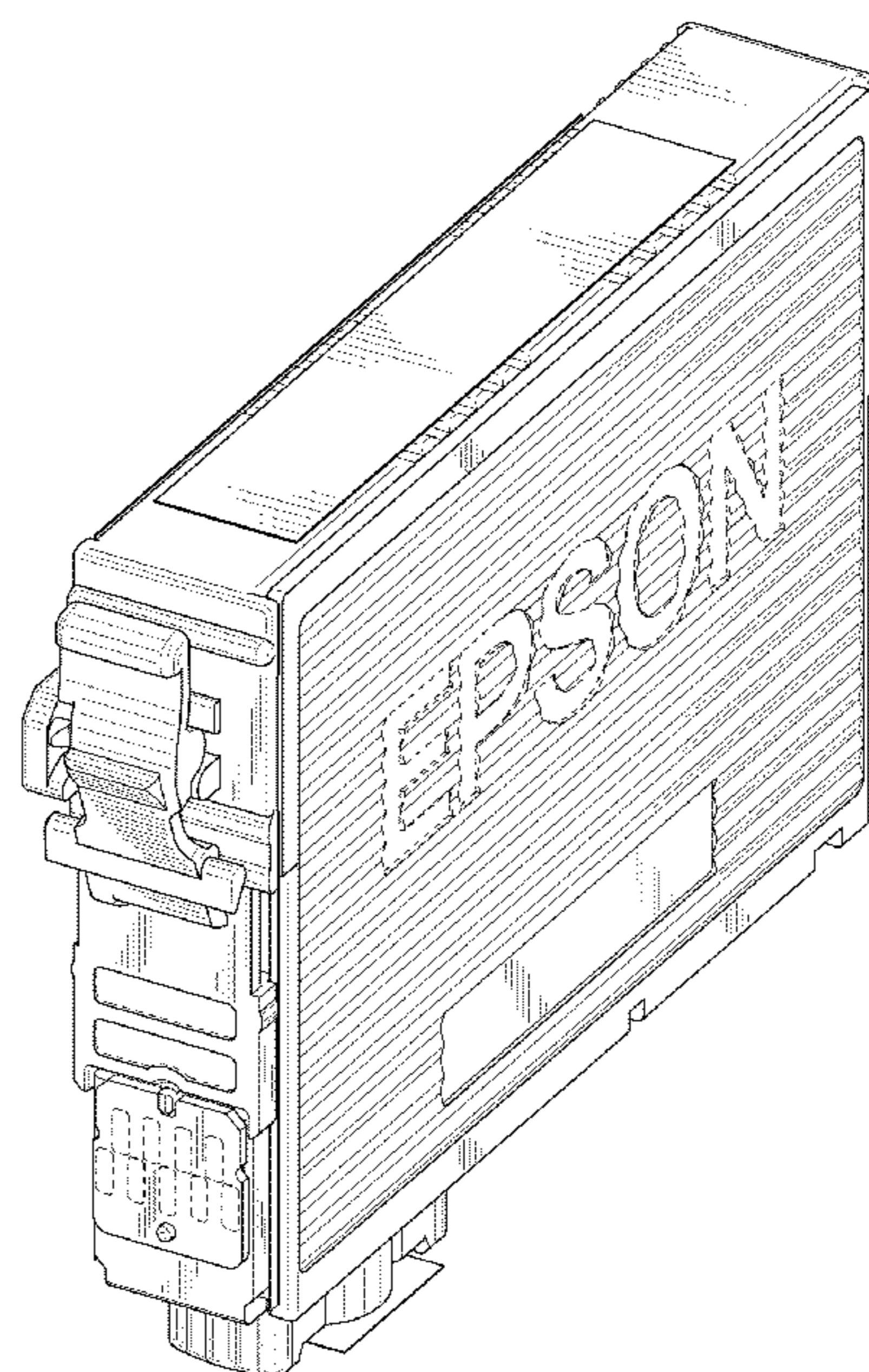
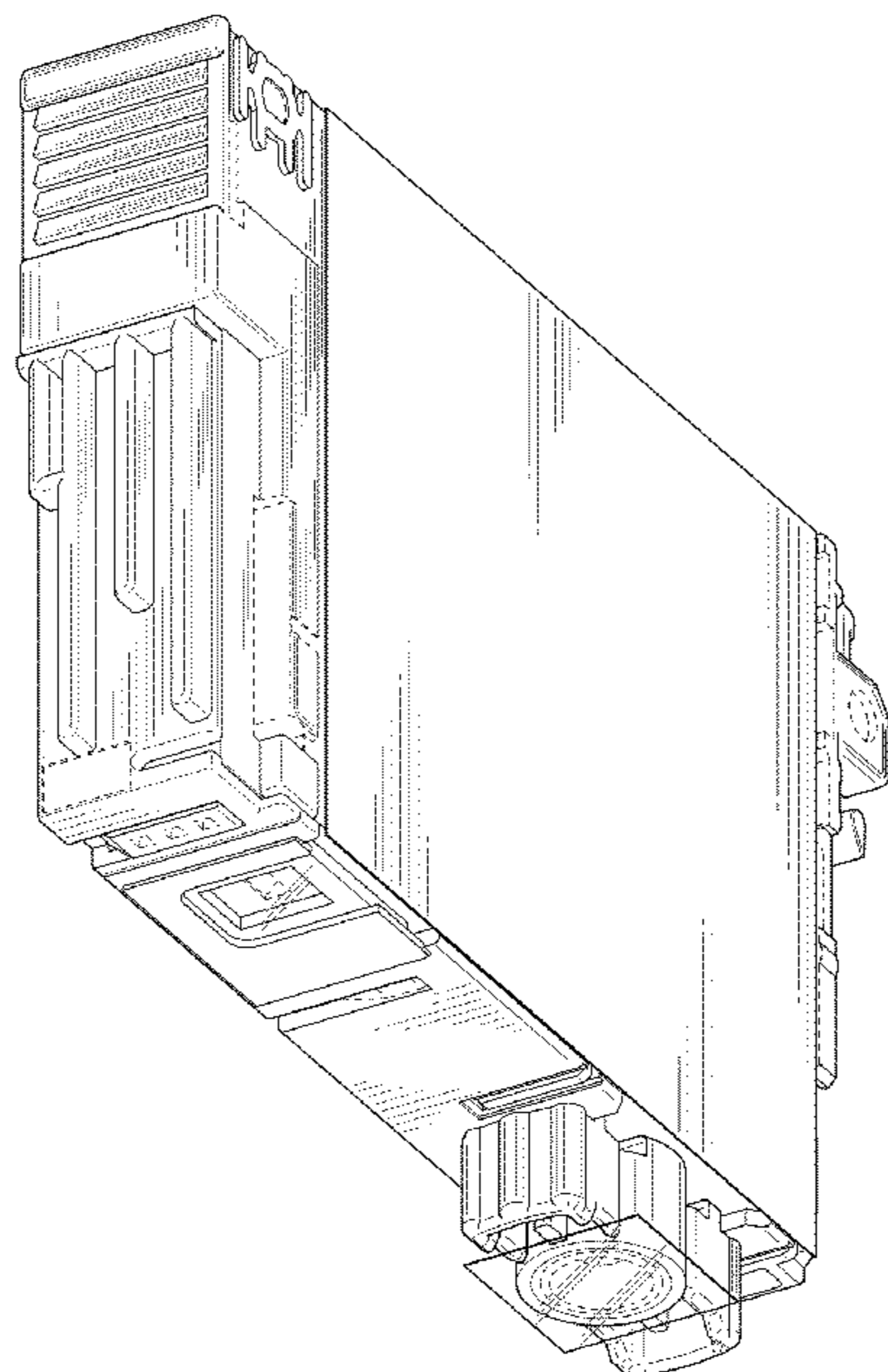


FIG. 1

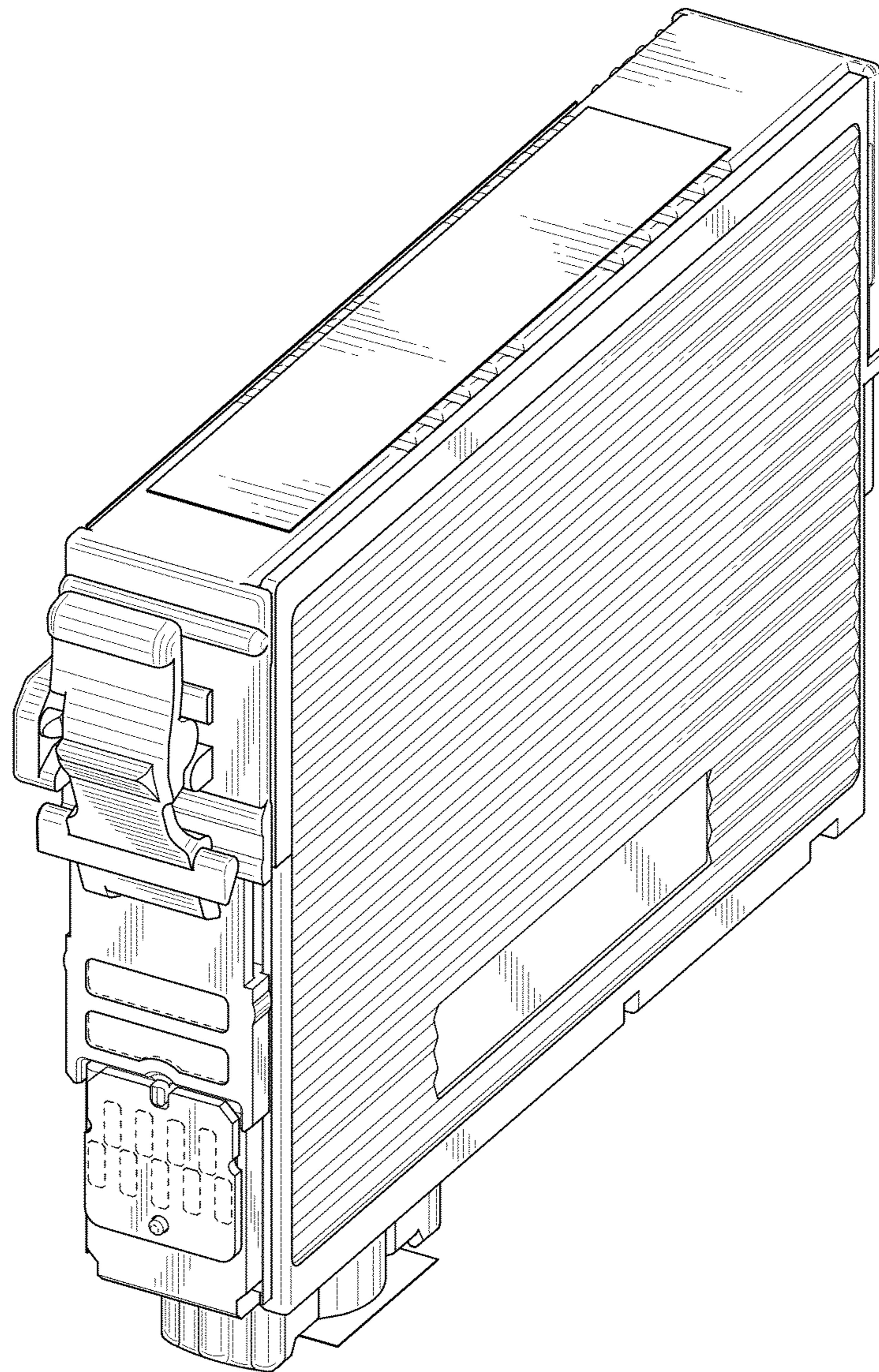


FIG. 2

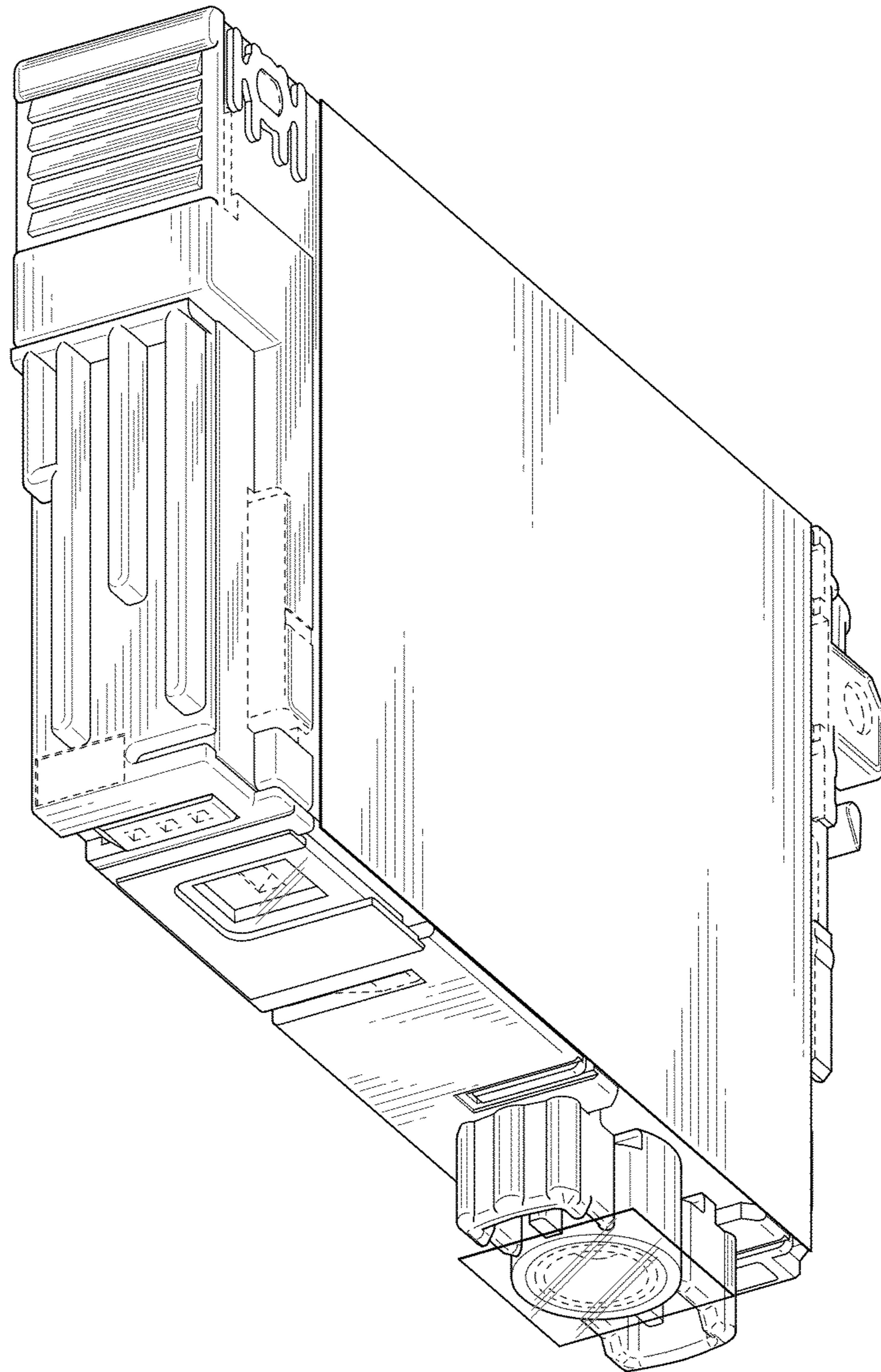


FIG. 3

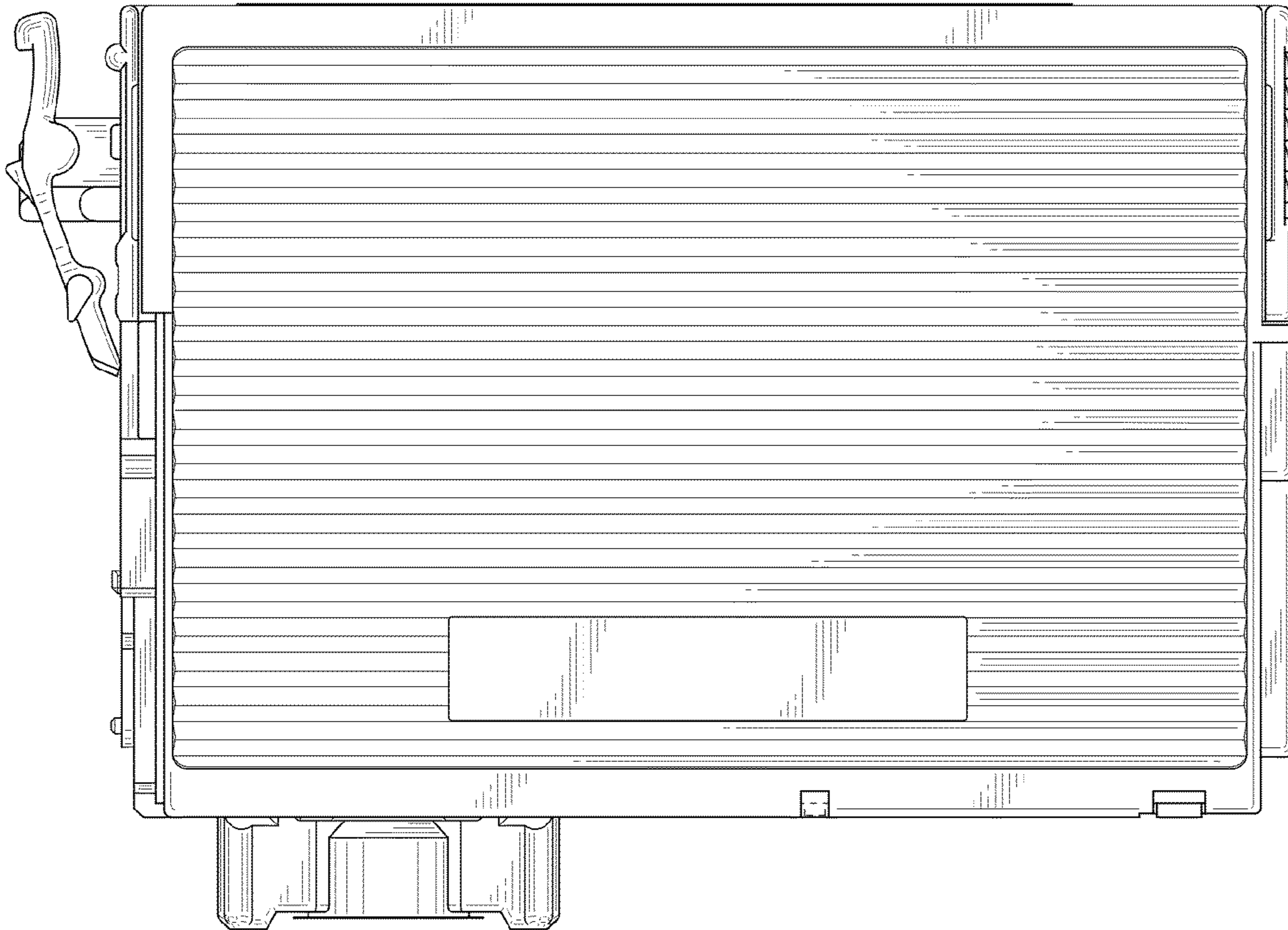


FIG. 4

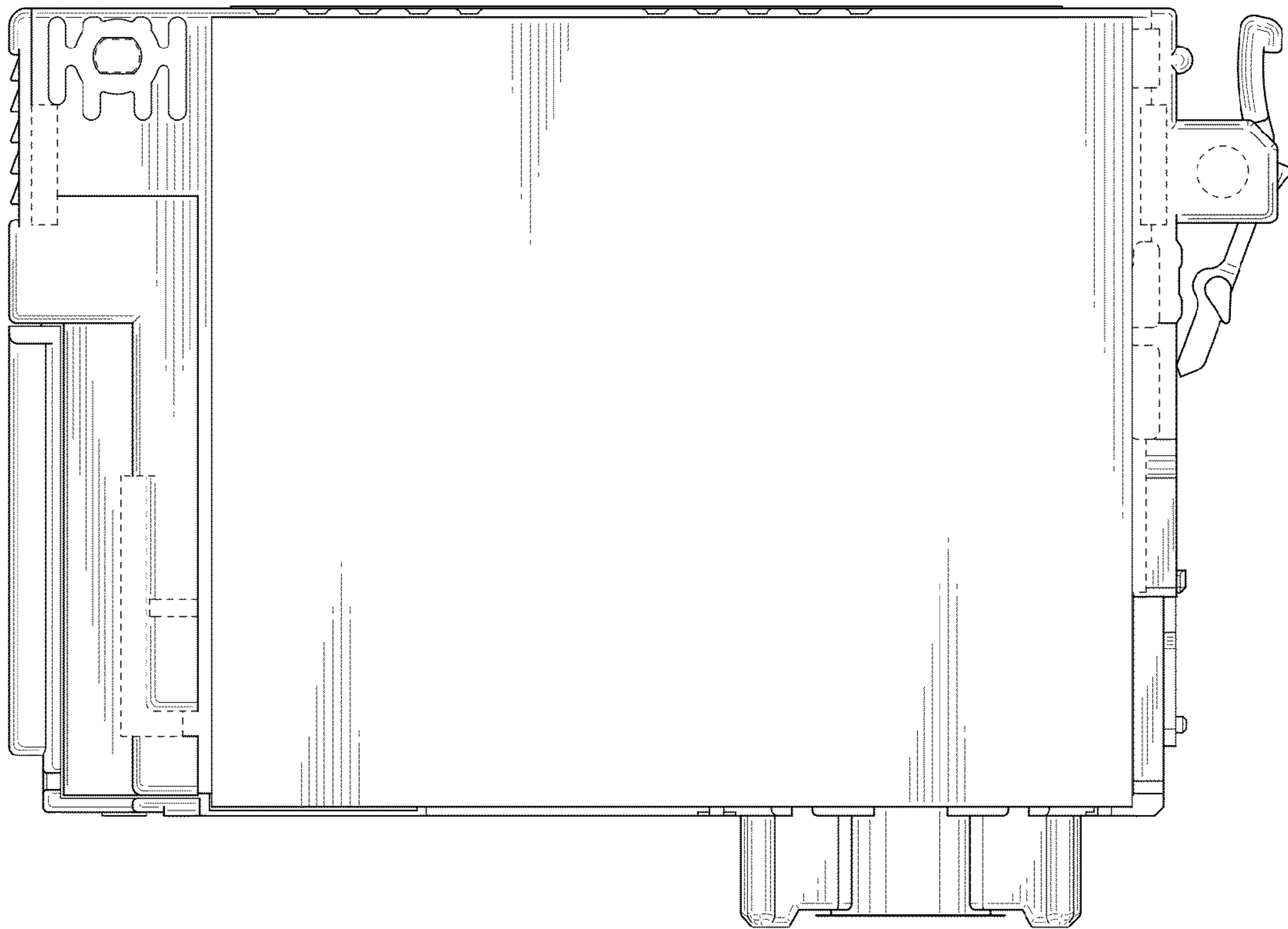


FIG. 5

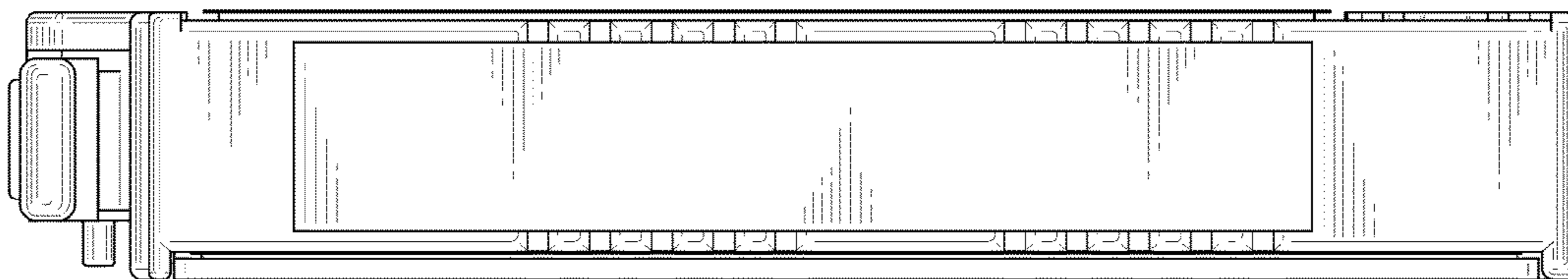


FIG. 6

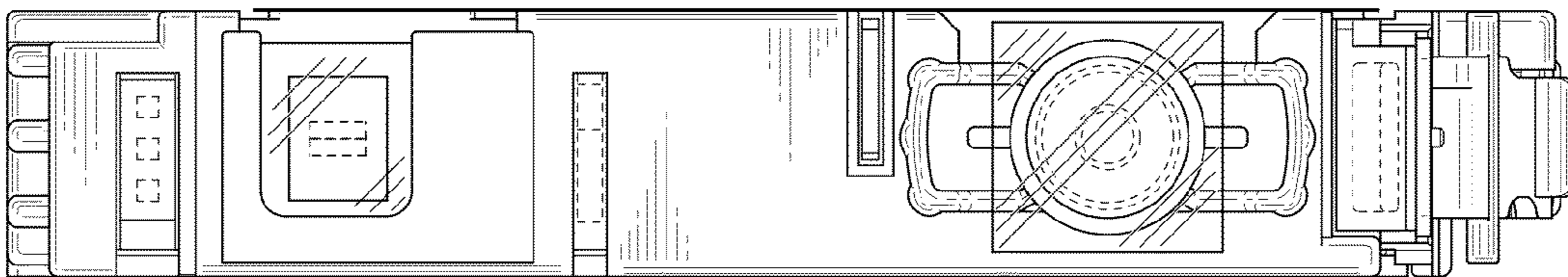


FIG. 7

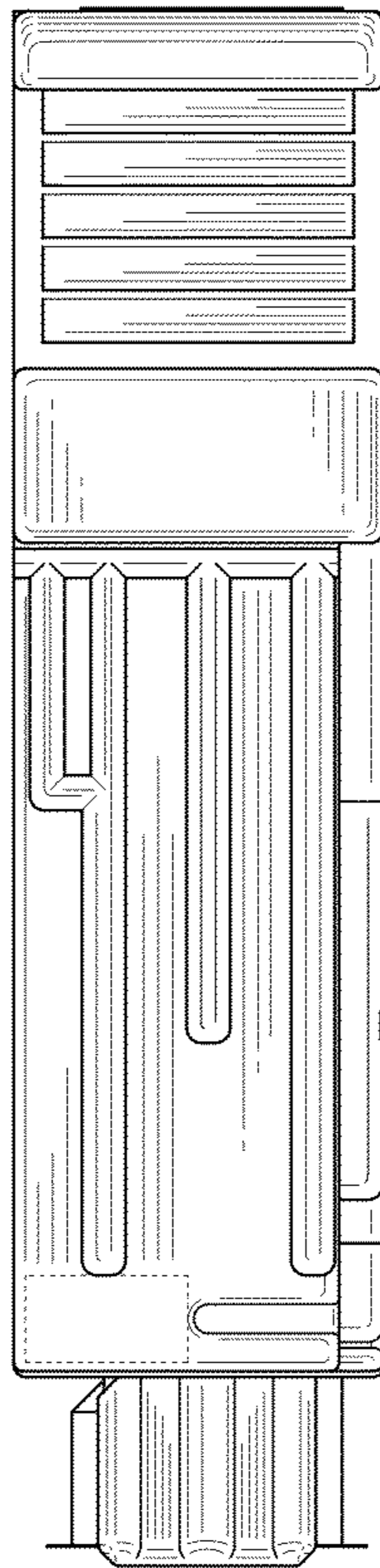


FIG. 8

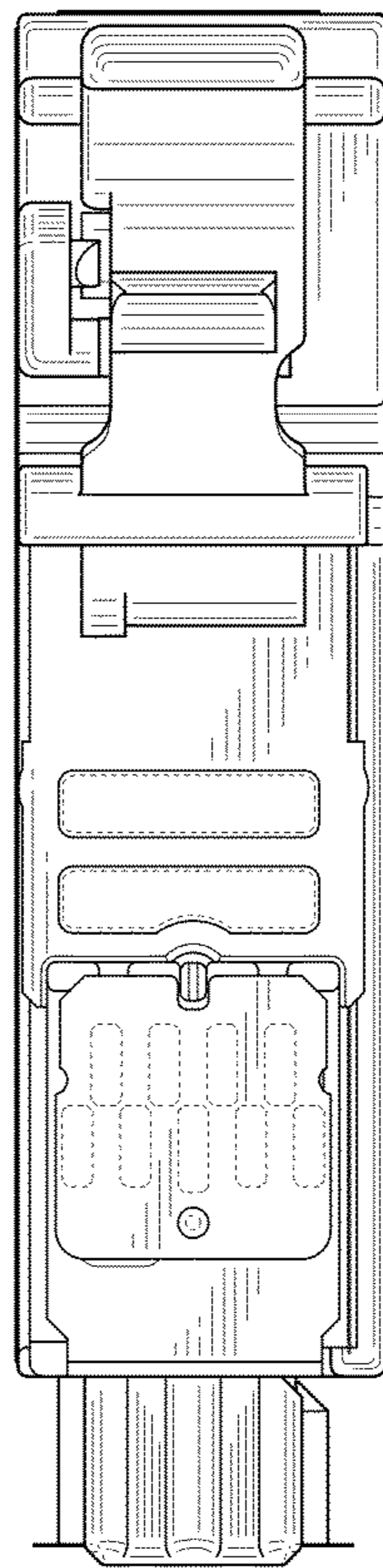


FIG. 9

