



US00D692051S

(12) **United States Design Patent**
Yong et al.

(10) **Patent No.:** **US D692,051 S**
(45) **Date of Patent:** **** Oct. 22, 2013**

(54) **PRINTER WITH A HINGED KEYBOARD**

(75) Inventors: **Sit Wai Yong**, Johor (MY); **Mohd Ilham Ja'afar**, Johor (MY)

(73) Assignee: **Brady Worldwide, Inc.**, Milwaukee, WI (US)

(**) Term: **14 Years**

(21) Appl. No.: **29/420,074**

(22) Filed: **May 4, 2012**

(51) **LOC (9) Cl.** **14-02**

(52) **U.S. Cl.**
USPC **D18/50**

(58) **Field of Classification Search**
USPC D18/36-38, 50, 52, 54-54.1, 55;
D14/420-425, 462-270; 400/613,
400/613.1-613.4, 690.1-690.4, 691-694
See application file for complete search history.

(56) **References Cited**

U.S. PATENT DOCUMENTS

D294,712 S *	3/1988	Copland	D18/52
D309,320 S *	7/1990	Ishigami	D18/1
4,948,283 A *	8/1990	Imazumi et al.	400/647.1
D318,484 S *	7/1991	Grunstad	D18/52
D319,636 S *	9/1991	Lampe	D18/1
D333,484 S *	2/1993	Neumeister	D18/52
5,364,196 A *	11/1994	Baitz et al.	400/691

5,538,352 A *	7/1996	Sugiura	400/615.2
5,555,489 A *	9/1996	Keskinen	400/691
5,845,144 A *	12/1998	Tateyama et al.	712/1
5,885,017 A *	3/1999	Hultzman et al.	400/682
6,014,159 A *	1/2000	Yamaguchi et al.	D18/50
D427,161 S *	6/2000	Oh	D14/467
D436,617 S *	1/2001	Feitel et al.	D18/55
D452,511 S *	12/2001	Benedetto et al.	D14/467
7,056,040 B2 *	6/2006	Silverbrook et al.	400/613
D571,371 S *	6/2008	Kuroda et al.	D14/422
D639,802 S *	6/2011	Brooks	D14/424
D642,180 S *	7/2011	Hampf et al.	D14/422

* cited by examiner

Primary Examiner — Cathy A MacCormac

(74) *Attorney, Agent, or Firm* — Quarles & Brady LLP

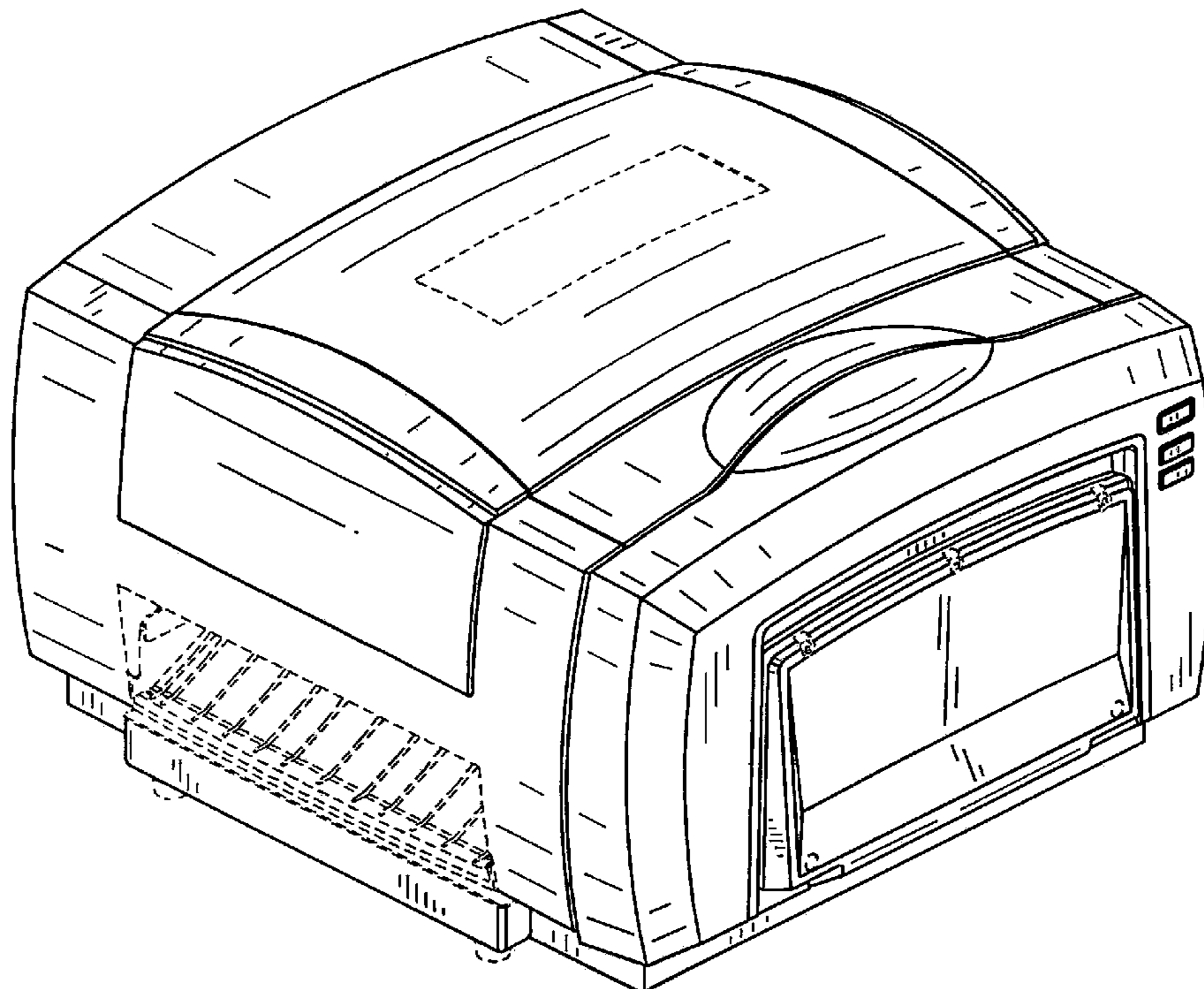
(57) **CLAIM**

The ornamental design for a printer with a hinged keyboard, as shown and described.

DESCRIPTION

FIG. 1 is a front, top and left side perspective view of a printer with hinged keyboard embodying our new design; FIG. 2 is a front elevational view thereof; FIG. 3 is a left side elevational view thereof; FIG. 4 is a right side elevational view thereof; FIG. 5 is a top plan view thereof; FIG. 6 is a bottom plan view thereof; and, FIG. 7 is a rear elevational view thereof. The broken line representations in the views are for illustrative purposes only and form no part of the claimed design.

1 Claim, 7 Drawing Sheets



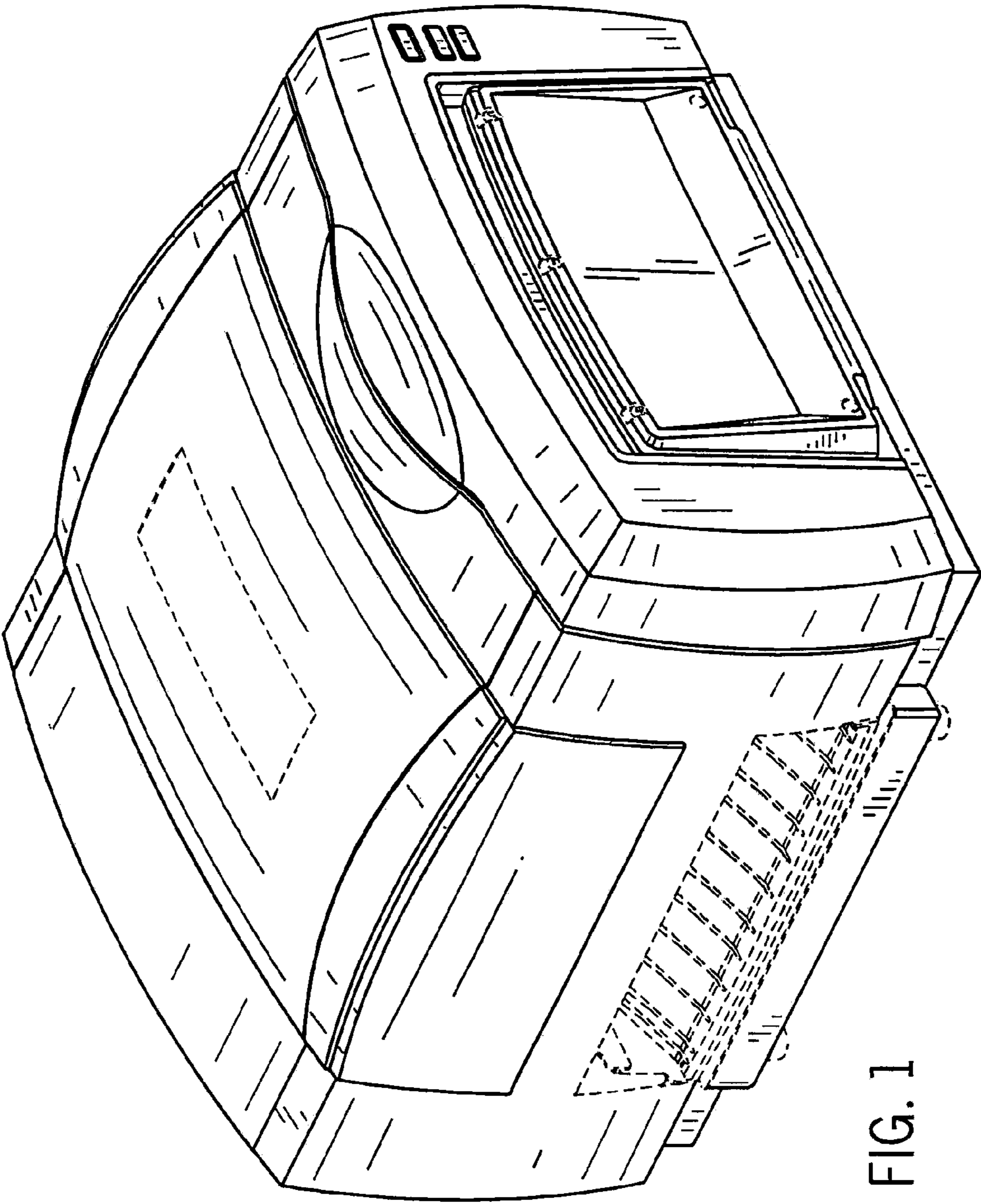


FIG. 1

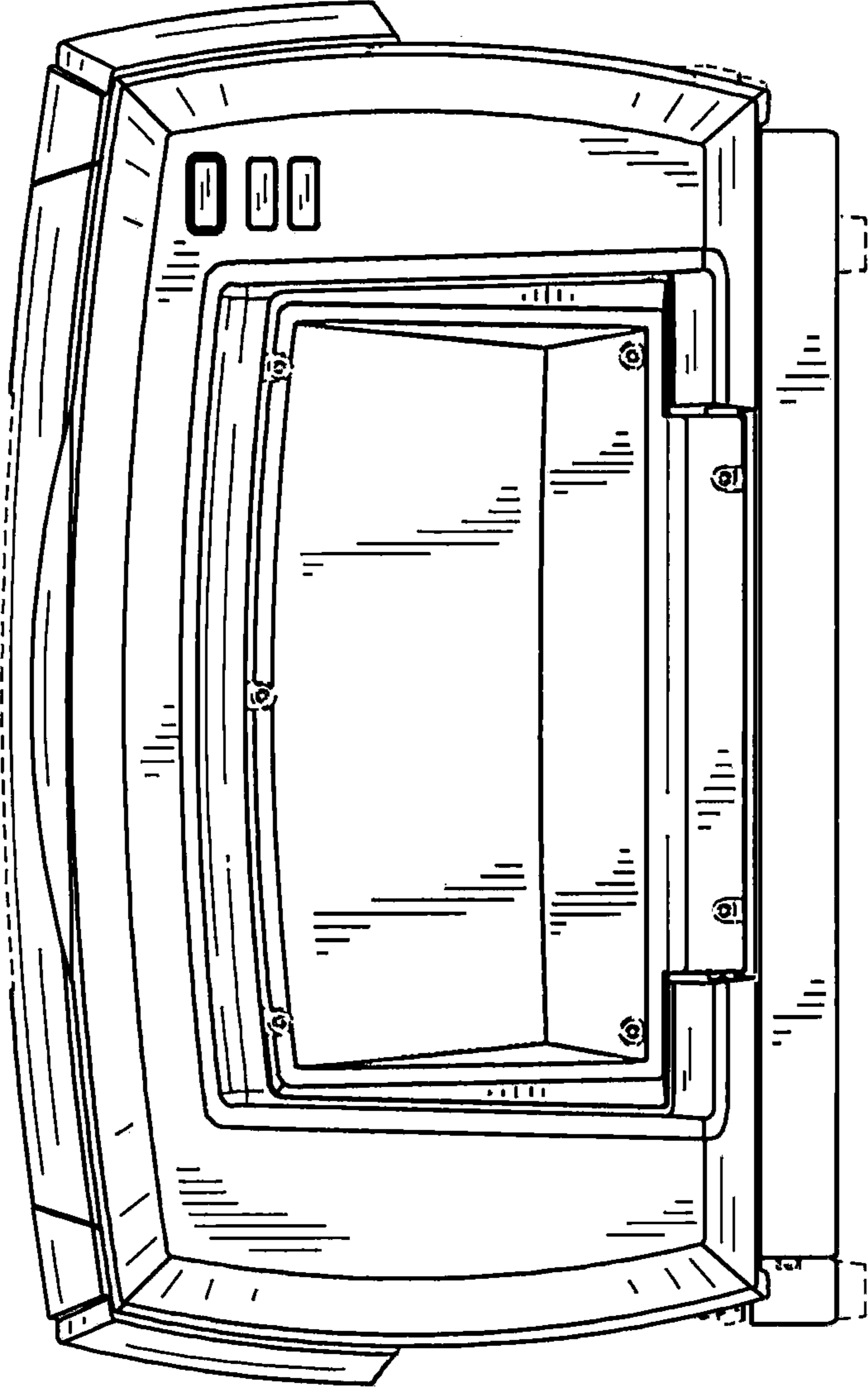


FIG. 2

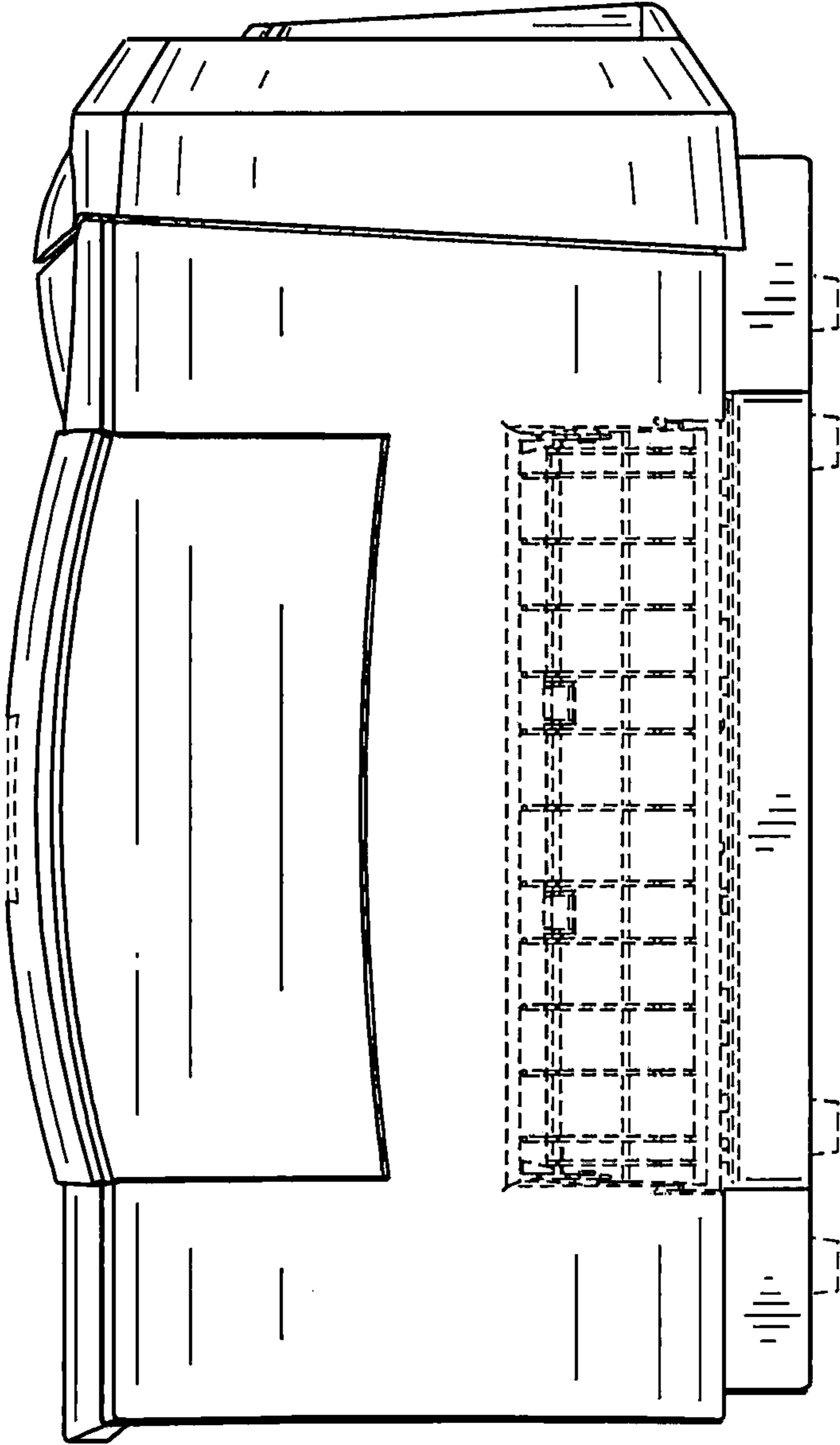


FIG. 3

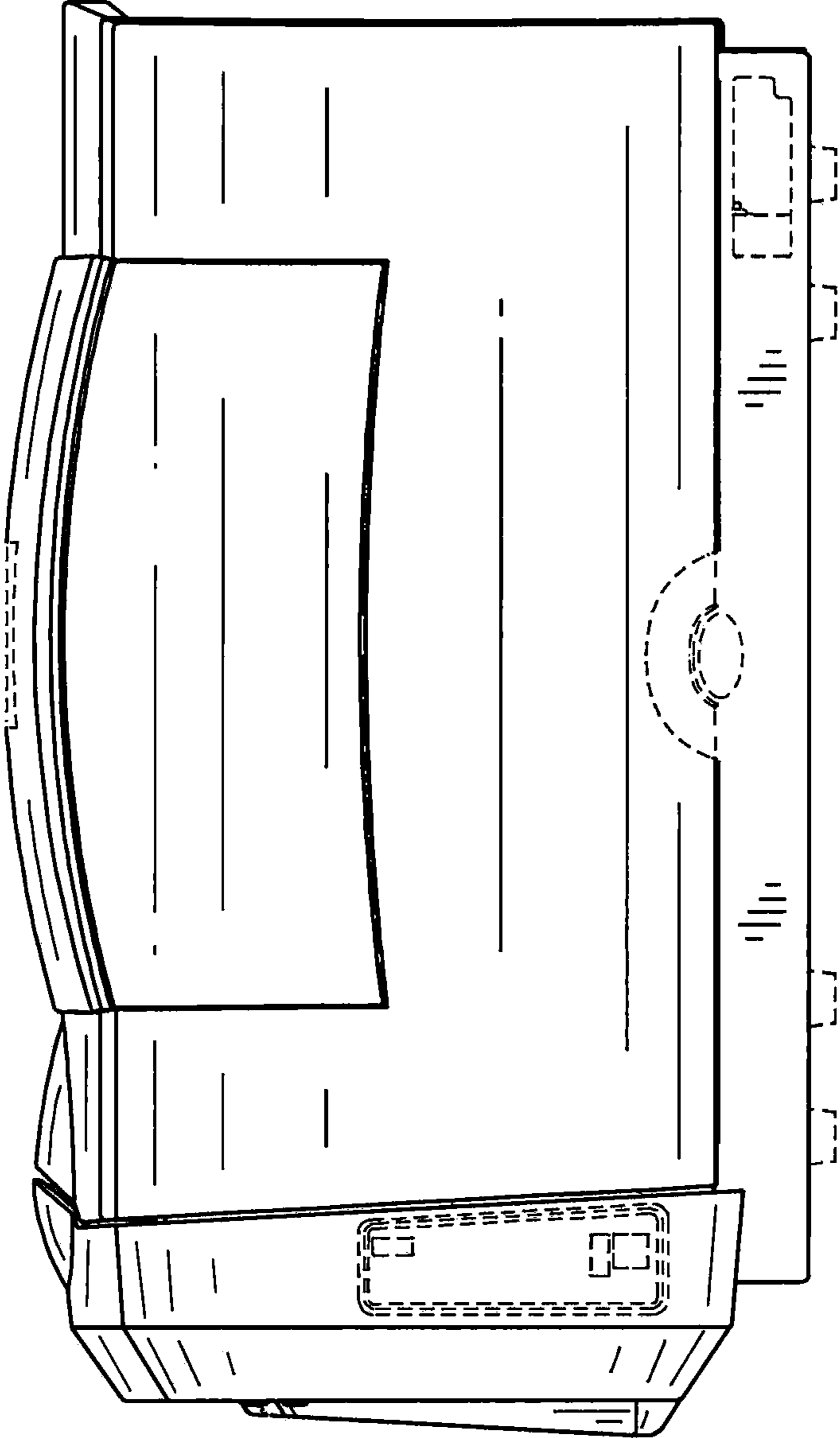


FIG. 4

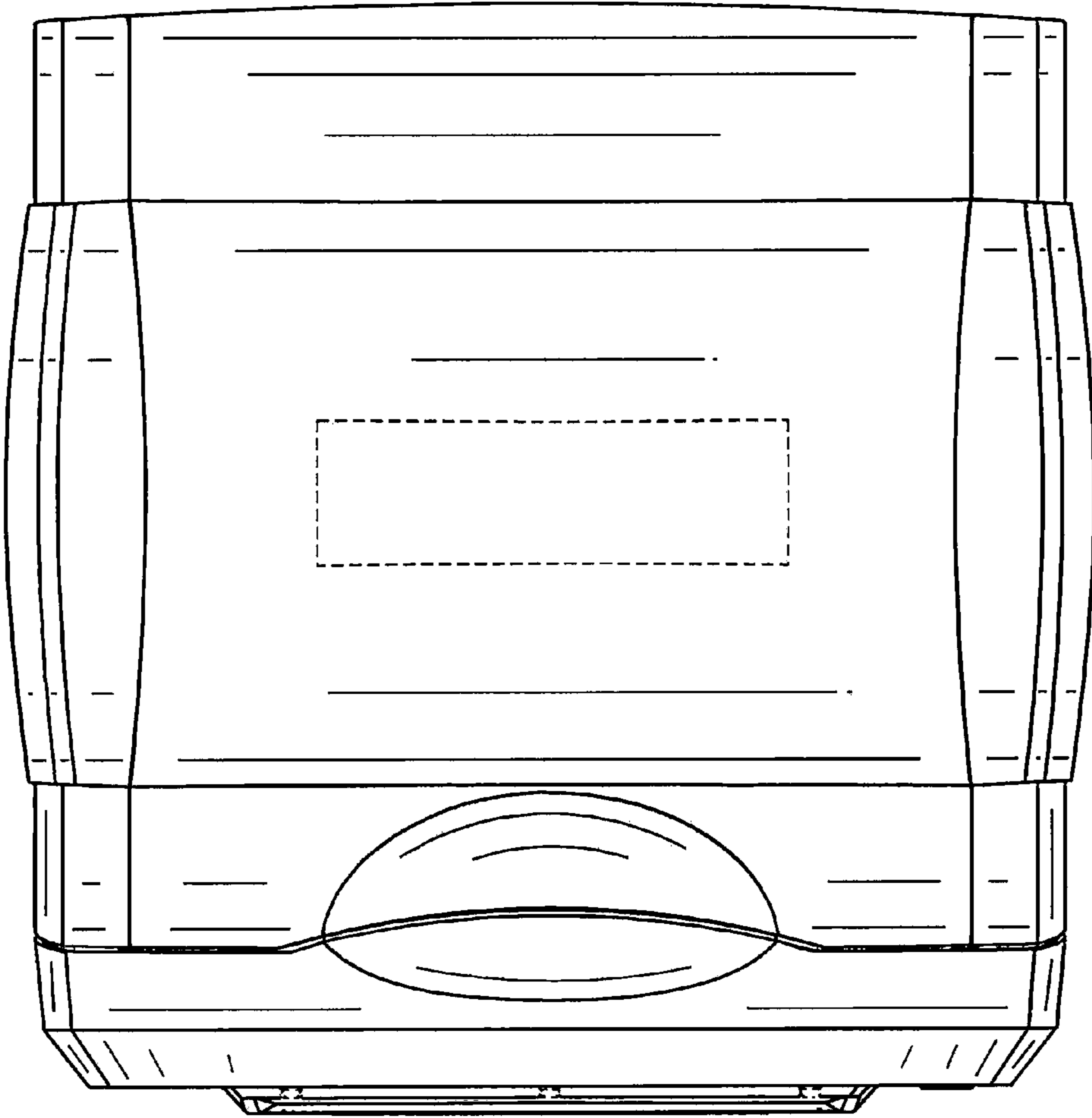


FIG. 5

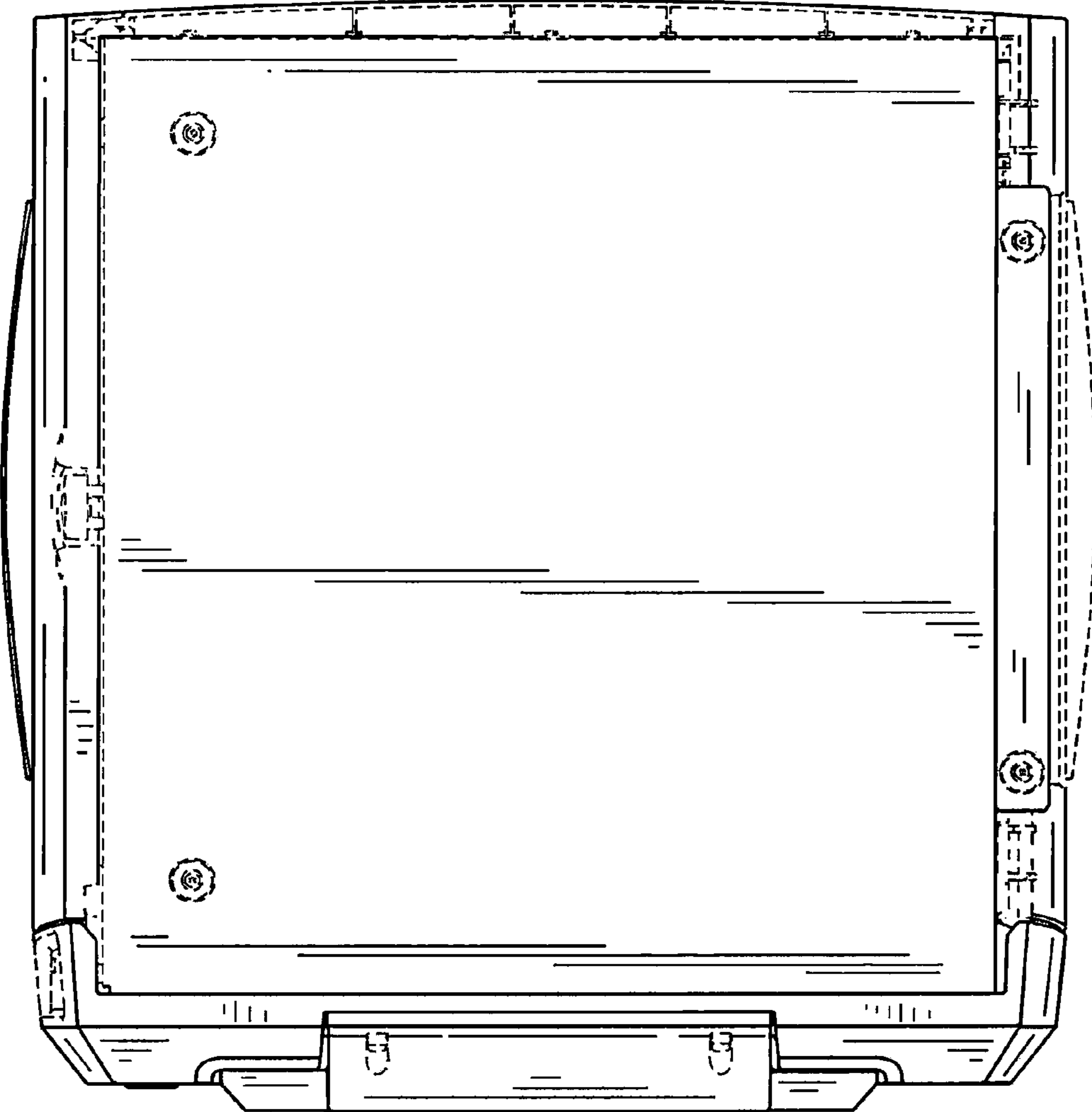


FIG. 6

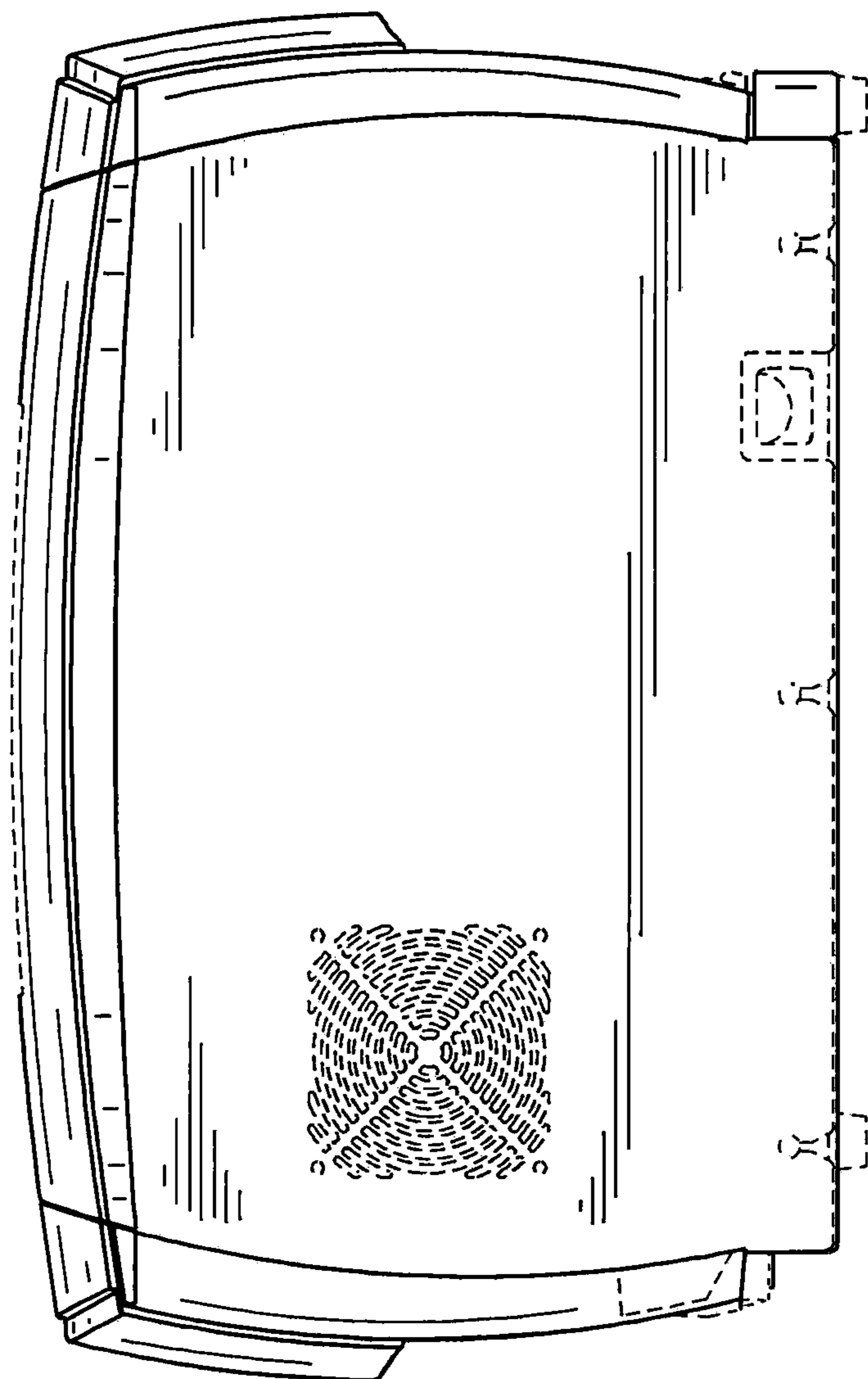


FIG. 7