



US00D692048S

(12) **United States Design Patent**
Barczak et al.

(10) **Patent No.:** **US D692,048 S**

(45) **Date of Patent:** **** Oct. 22, 2013**

(54) **PRINTER DEVICE**

(75) Inventors: **Michael Barczak**, Watertown, WI (US);
Michael Brock, Sun Prairie, WI (US);
John Grosz, Waupun, WI (US); **Andrew**
Terrill, Prairie du Sac, WI (US); **Matt**
Woerpel, Lodi, WI (US); **Edward A.**
Raleigh, Lodi, WI (US)

(73) Assignee: **Brady Worldwide, Inc.**, Milwaukee, WI
(US)

(**) Term: **14 Years**

(21) Appl. No.: **29/397,626**

(22) Filed: **Jul. 19, 2011**

(51) **LOC (9) Cl.** **18-99**

(52) **U.S. Cl.**
USPC **D18/19**

(58) **Field of Classification Search**
USPC D18/14, 19, 36-37, 50, 54, 54.1, 55;
D14/452-425, 463-470; 400/613,
400/613.1-613.4, 690, 690.1-690.4,
400/691-694
See application file for complete search history.

(56) **References Cited**

U.S. PATENT DOCUMENTS

2,331,331	A	10/1943	Lambert	
4,337,001	A	6/1982	Cappotto	
4,615,628	A	10/1986	Swinburne	
4,802,633	A	2/1989	Beery	
4,988,224	A	1/1991	Furrow et al.	
5,211,491	A	5/1993	Harvey	
D360,890	S *	8/1995	Tremlett	D18/19
D382,590	S *	8/1997	Triantopoulos et al.	D18/52

D383,735	S *	9/1997	Privitera et al.	D14/420
D497,384	S *	10/2004	Matsumoto et al.	D18/56
7,234,884	B1	6/2007	Tratar	
D567,281	S *	4/2008	Hattori	D18/19
D619,164	S *	7/2010	Swier	D18/50
D629,039	S *	12/2010	Butzek et al.	D18/50
D631,909	S *	2/2011	Blanc et al.	D18/19
D635,183	S *	3/2011	Grosz et al.	D18/52
D654,949	S *	2/2012	Preliasco et al.	D18/14
D662,971	S *	7/2012	Nakayama et al.	D18/19

FOREIGN PATENT DOCUMENTS

KR	300329170	7/2003
WO	03072366 A1	9/2003

* cited by examiner

Primary Examiner — Cathy A MacCormac

(74) *Attorney, Agent, or Firm* — Quarles & Brady LLP

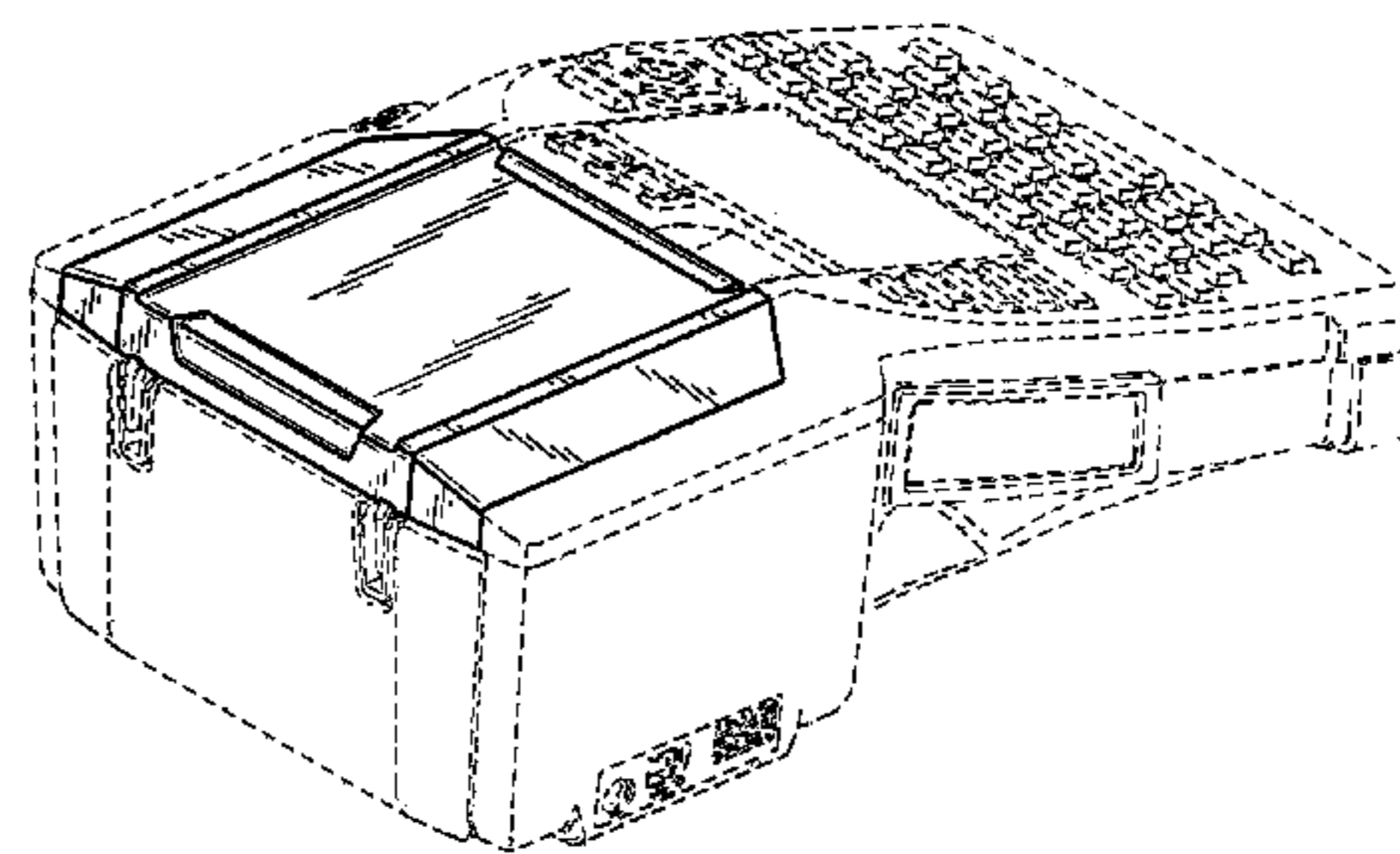
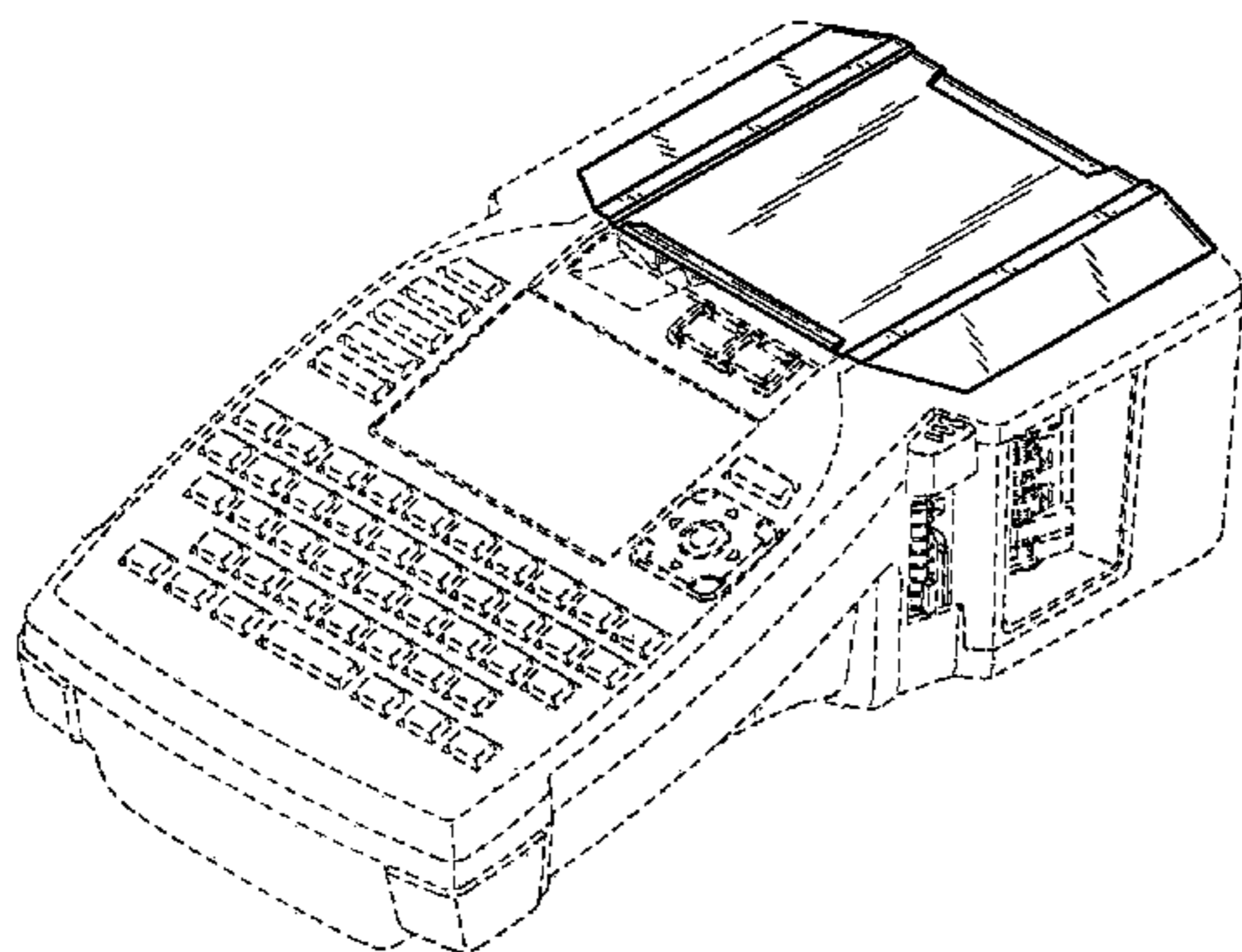
(57) **CLAIM**

The ornamental design for a printer device, as shown and described.

DESCRIPTION

FIG. 1 is a top, right, front perspective view of a printer embodying our new design;
FIG. 2 is a top, left, back perspective view of FIG. 1;
FIG. 3 is a top plan view of FIG. 1;
FIG. 4 is a front elevational view of FIG. 1;
FIG. 5 is a bottom plan view of FIG. 1;
FIG. 6 is a back elevational view of FIG. 1;
FIG. 7 is a left elevational view of FIG. 1; and,
FIG. 8 is a right elevational view of FIG. 1.
The broken lines are for illustrative purposes only and form no part of the claimed design.

1 Claim, 5 Drawing Sheets



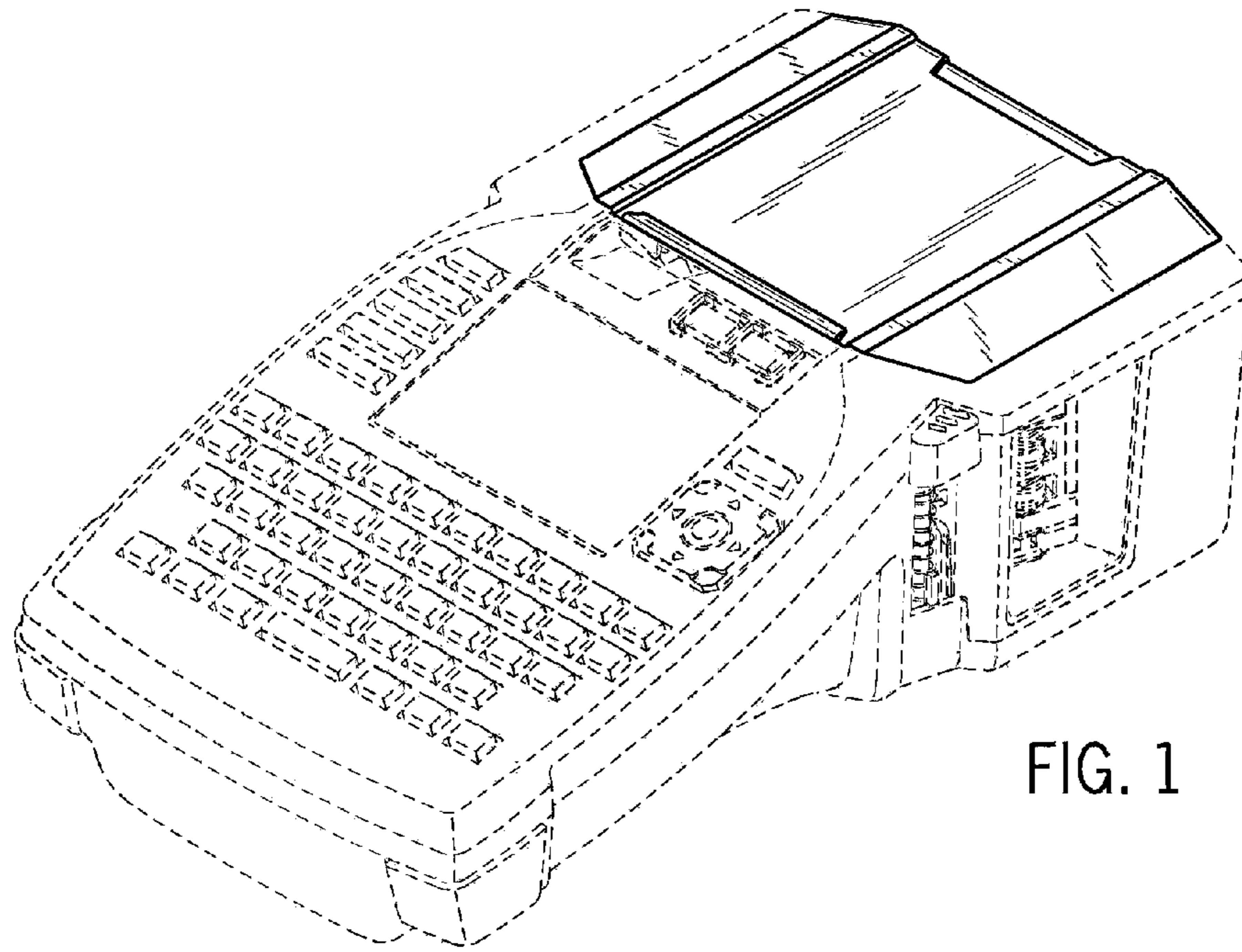


FIG. 1

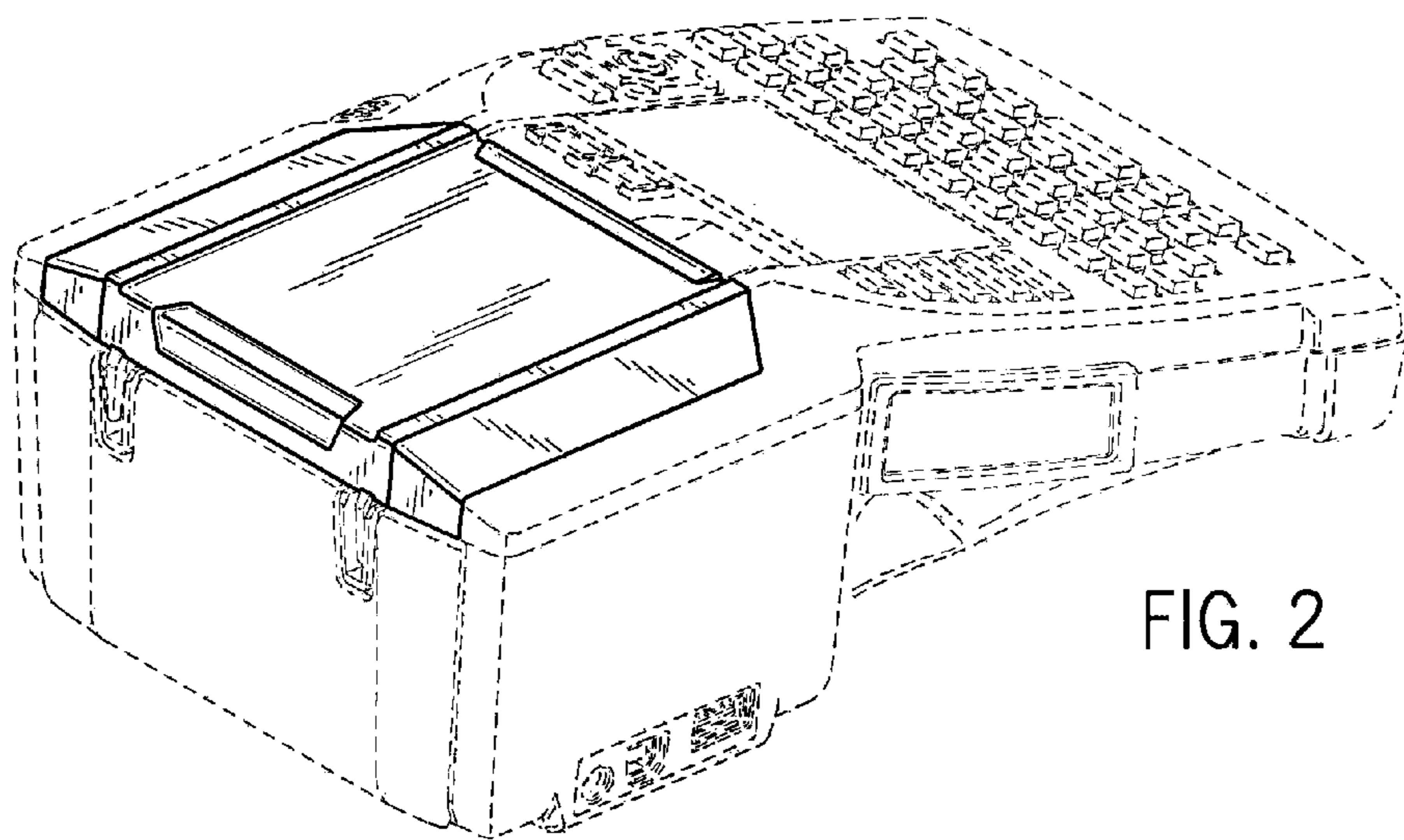


FIG. 2

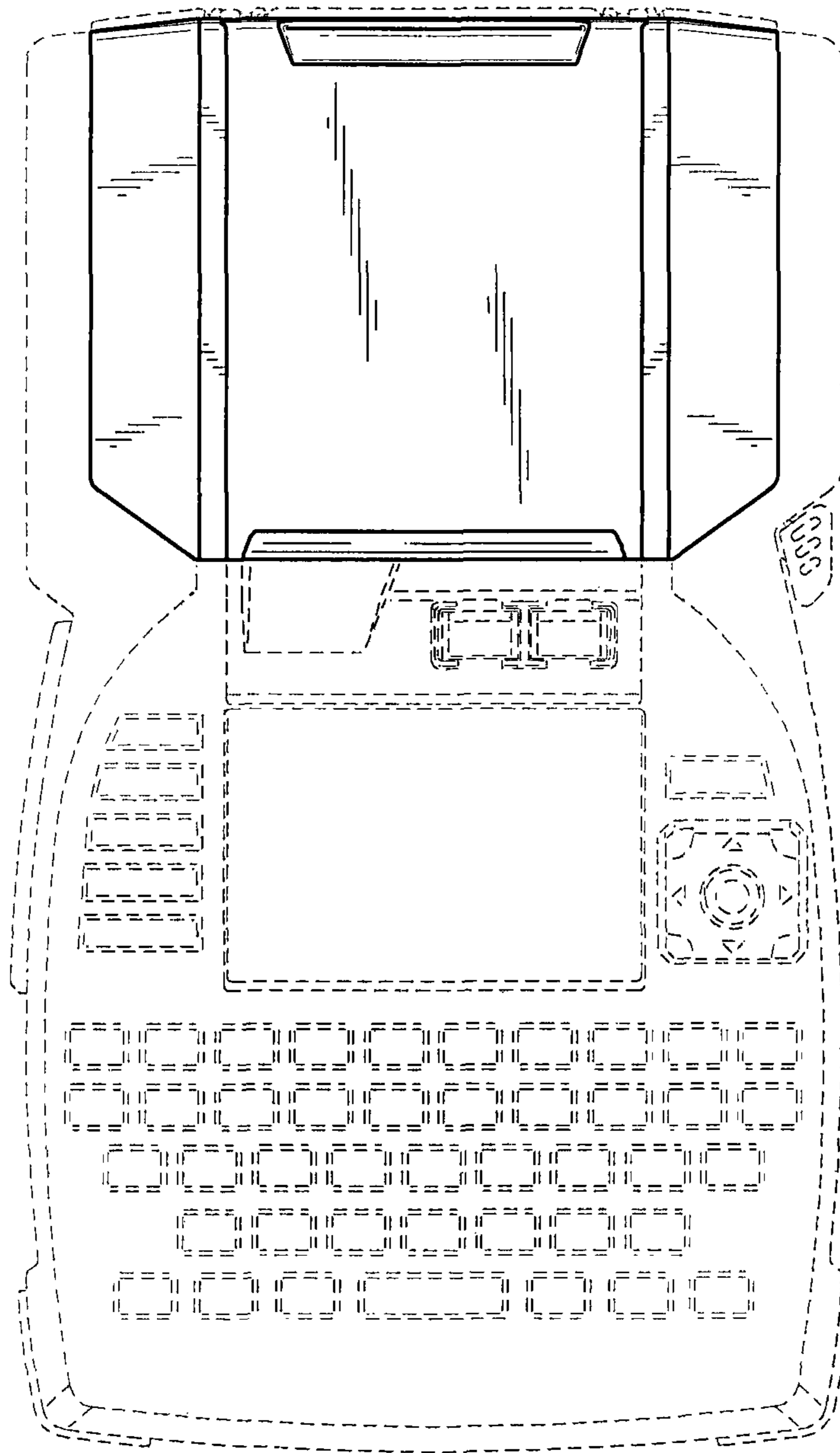


FIG. 3

FIG. 4

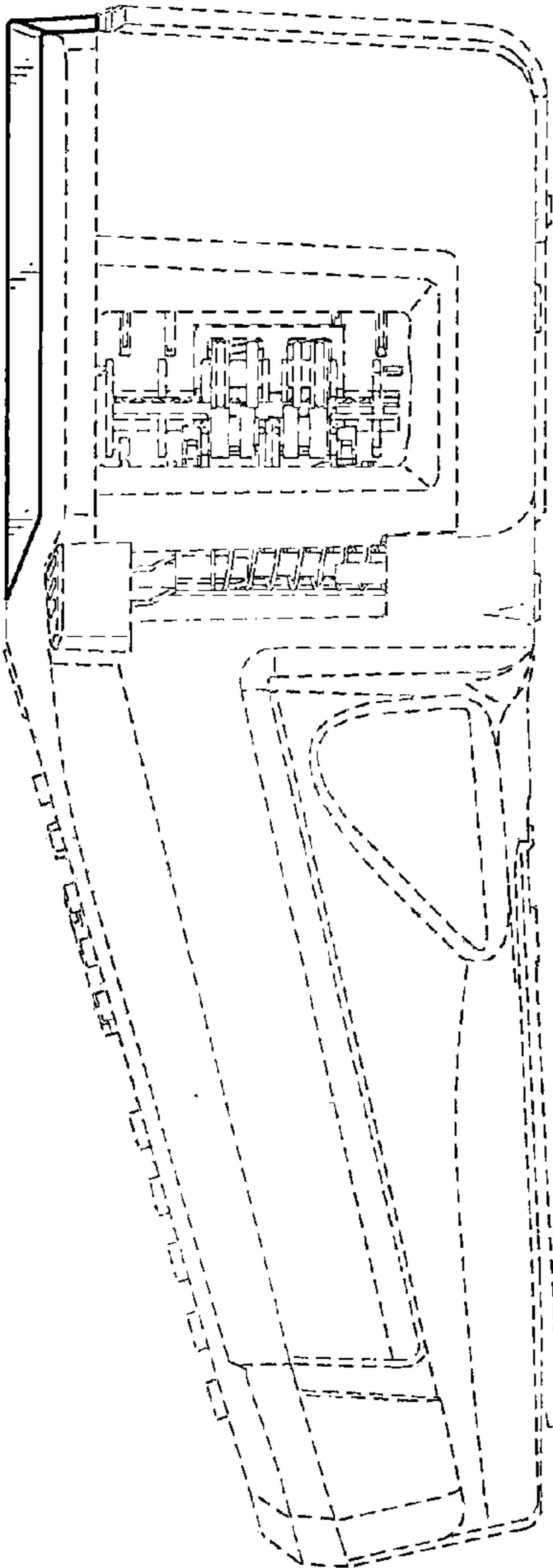
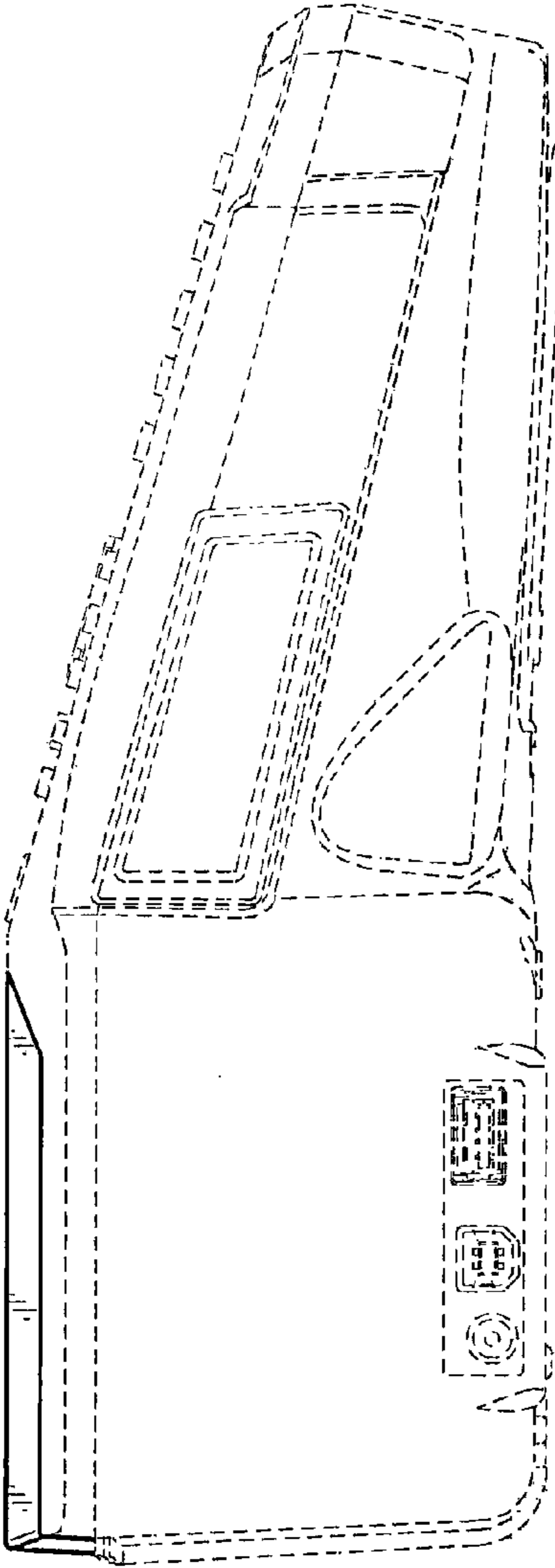


FIG. 5



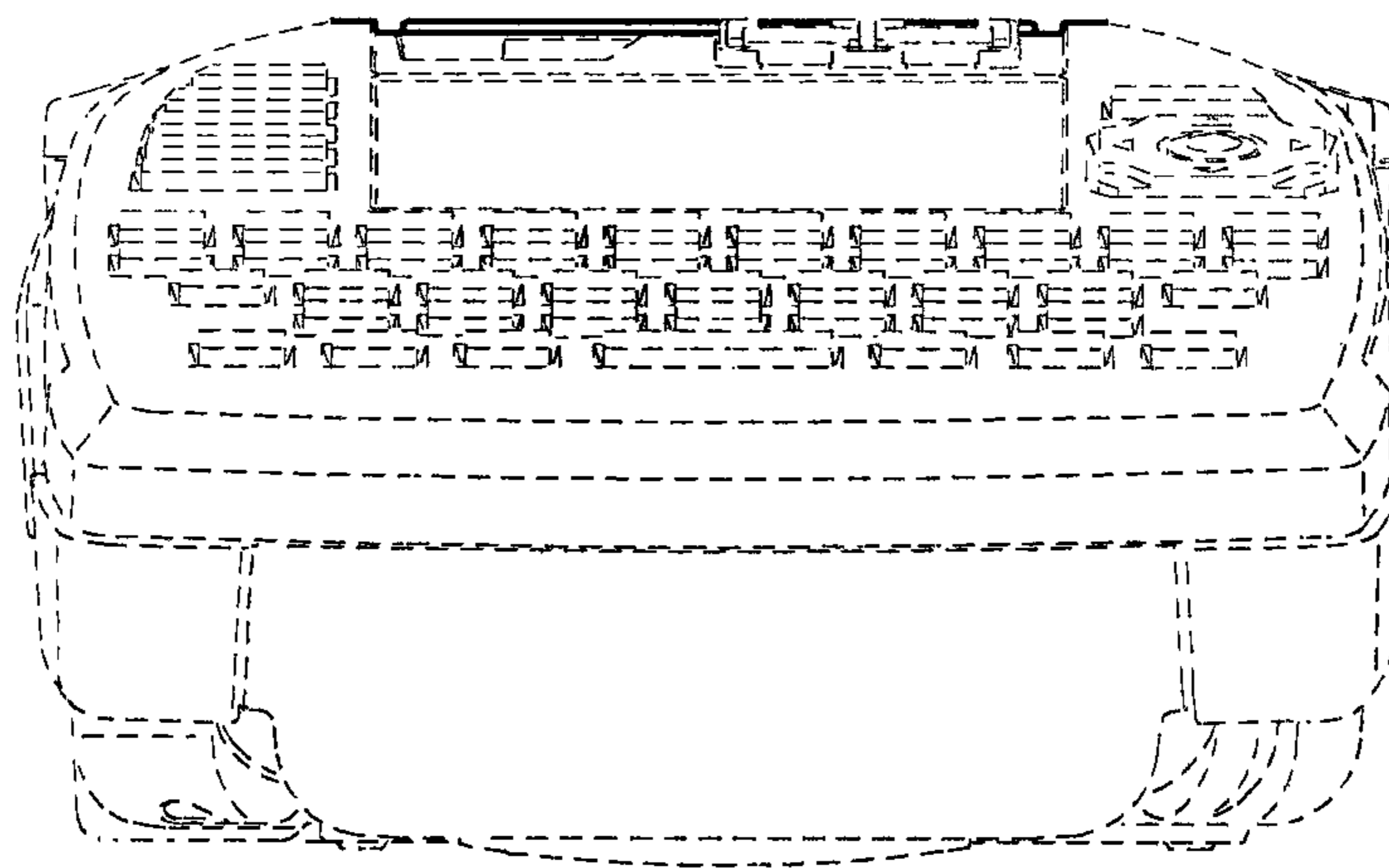


FIG. 6

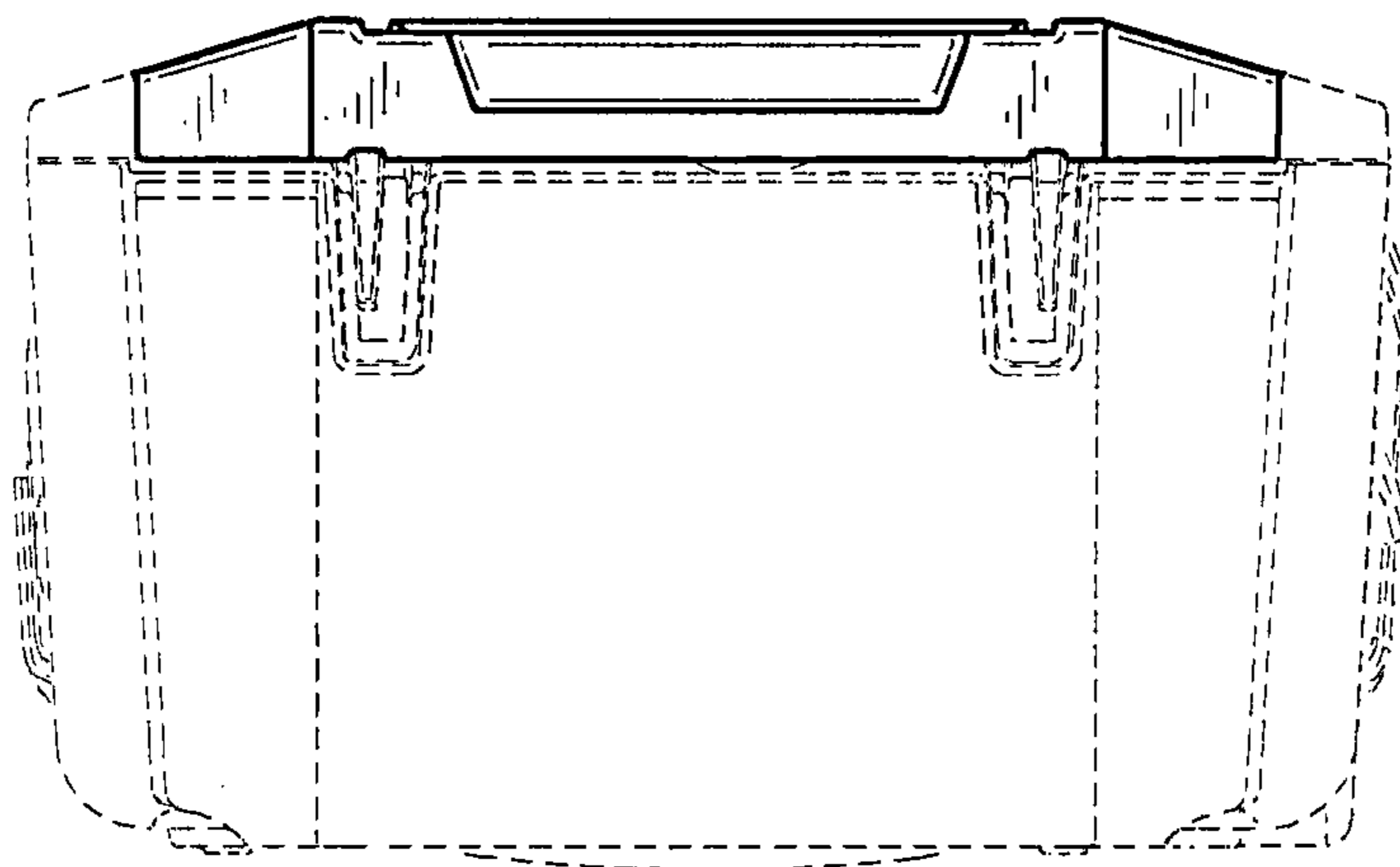


FIG. 7

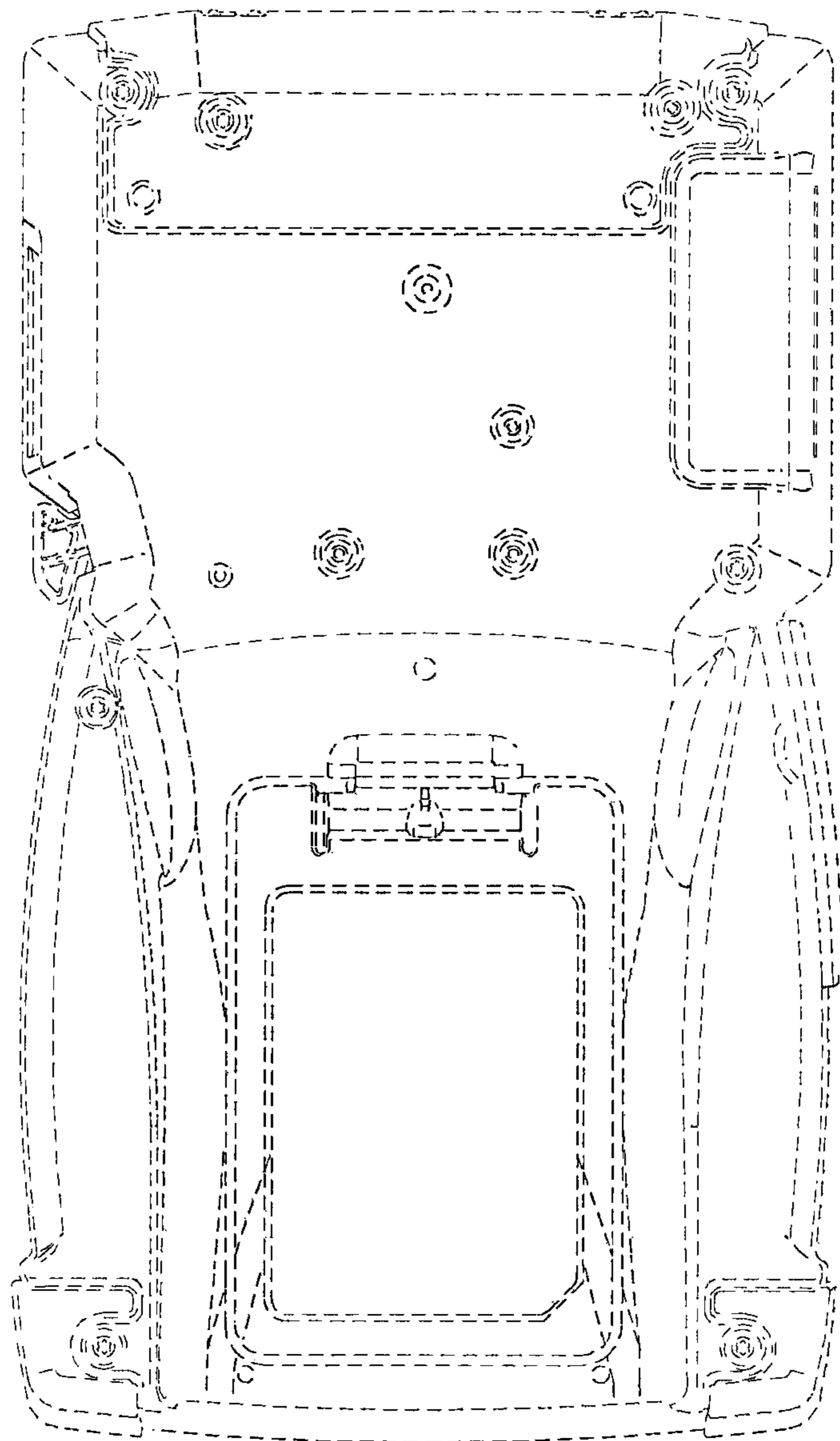


FIG. 8