

US00D692044S

(12) **United States Design Patent**
Uemachi et al.

(10) **Patent No.:** **US D692,044 S**
(45) **Date of Patent:** **** Oct. 22, 2013**

(54) **DIGITAL CAMERA**

(71) Applicant: **Nikon Corporation**, Tokyo (JP)

(72) Inventors: **Tatsuya Uemachi**, Kanagawa pref. (JP);
Takashi Umehara, Tokyo (JP); **Akira Nojima**, Tokyo (JP)

(73) Assignee: **Nikon Corporation**, Tokyo (JP)

(**) Term: **14 Years**

(21) Appl. No.: **29/451,227**

(22) Filed: **Mar. 28, 2013**

Related U.S. Application Data

(63) Continuation of application No. 29/415,360, filed on Mar. 9, 2012, now Pat. No. Des. 682,906.

(30) **Foreign Application Priority Data**

Sep. 20, 2011 (JP) 2011-021395

(51) **LOC (9) Cl.** **16-05**

(52) **U.S. Cl.**
USPC **D16/219**

(58) **Field of Classification Search**
USPC D16/200, 202, 204, 218, 219;
348/373-376; 358/909.1; 396/535,
396/540, 541

See application file for complete search history.

(56) **References Cited**

U.S. PATENT DOCUMENTS

D243,007 S 1/1977 Uellenberg
D251,975 S 5/1979 Kramer et al.
D257,434 S 10/1980 Conner et al.
D257,850 S 1/1981 Matsumoto
D257,982 S 1/1981 Maitani
D463,810 S * 10/2002 Suzuki et al. D16/202

D555,689 S 11/2007 Yoo et al.
D556,230 S * 11/2007 Hanafusa et al. D16/202
D557,311 S * 12/2007 Hanafusa et al. D16/219

(Continued)

FOREIGN PATENT DOCUMENTS

JP D1077250 S 7/2000
JP D1432563 S 1/2012

(Continued)

OTHER PUBLICATIONS

[No Author Listed] Model "D-LUX 4 Safari" Leica Limited, Olive Paint. DC Watch. Jun. 25, 2009. Accessed online at http://dc.watch.impress.co.jp/docs/news/20090625_296613.html Last accessed Feb. 14, 2013.

(Continued)

Primary Examiner — Adir Aronovich

(74) *Attorney, Agent, or Firm* — Wolf, Greenfield & Sacks, P.C.; Randy J. Pritzker

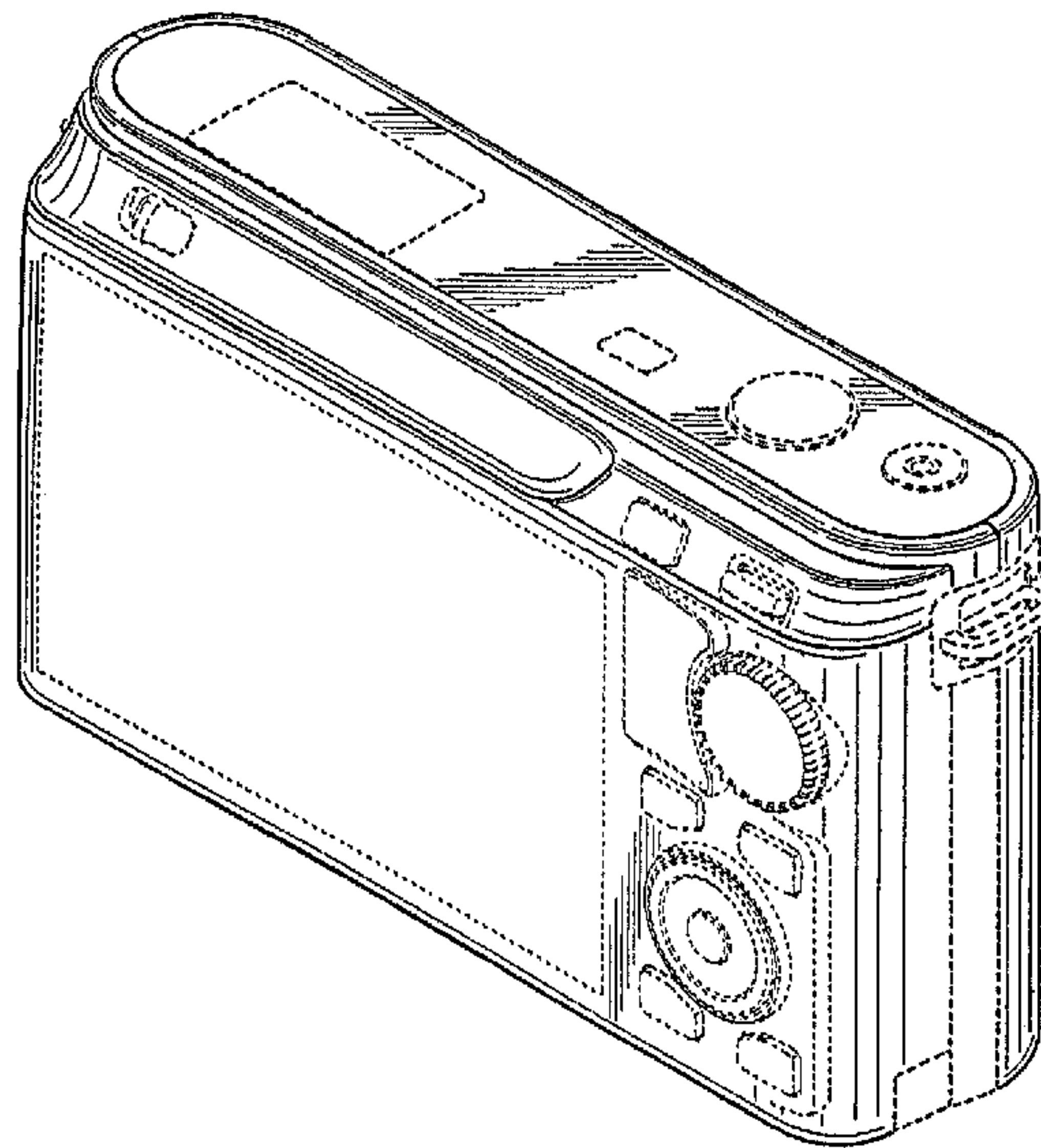
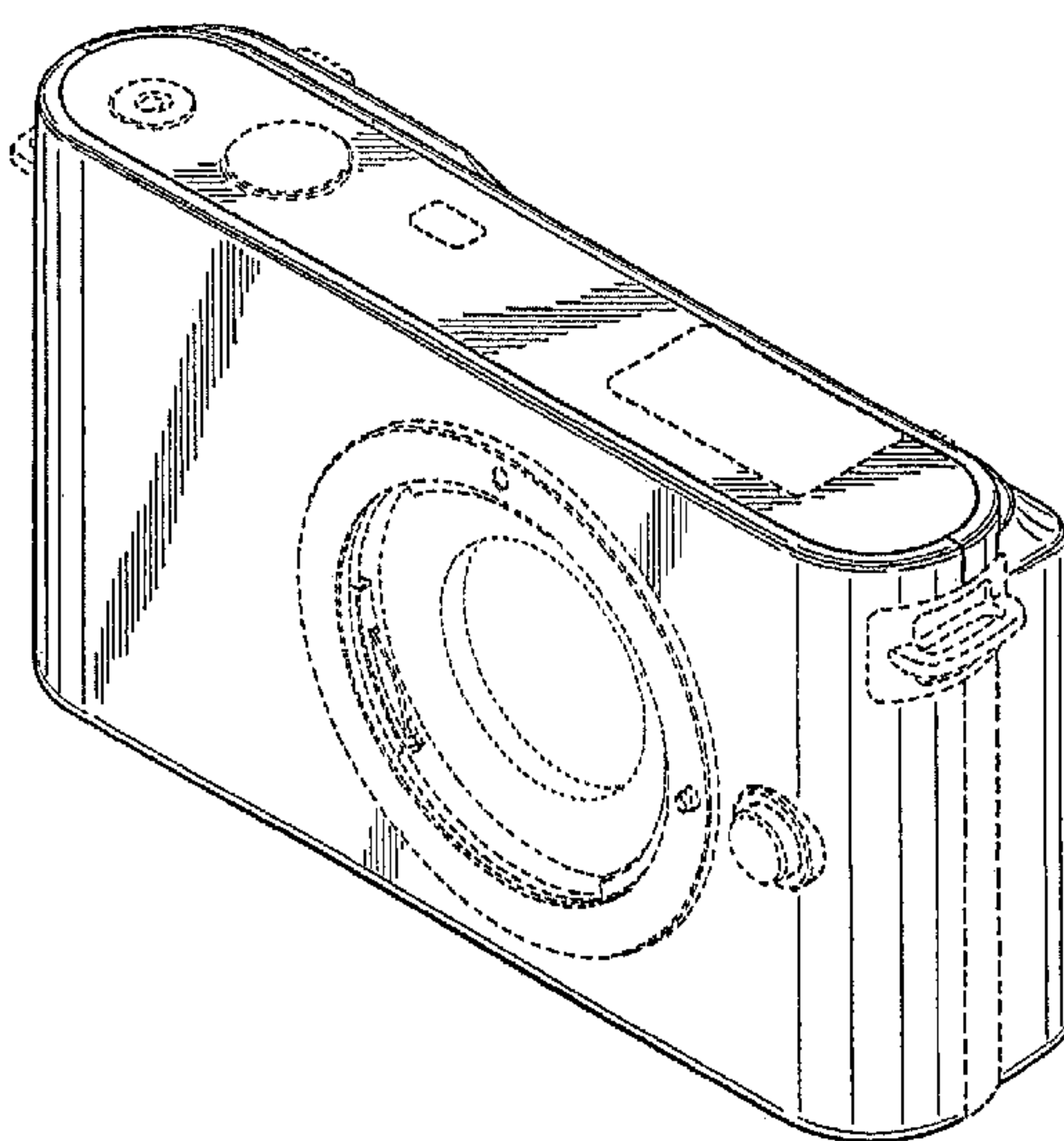
(57) **CLAIM**

The ornamental design for a digital camera, as shown and described.

DESCRIPTION

FIG. 1 is a front perspective view of a digital camera showing our new design;
FIG. 2 is a rear perspective view thereof;
FIG. 3 is a front elevational view thereof;
FIG. 4 is a rear elevational view thereof;
FIG. 5 is a top plan view thereof;
FIG. 6 is a bottom plan view thereof;
FIG. 7 is a right side elevational view thereof; and,
FIG. 8 is a left side elevational view thereof.
The features shown in broken lines in the drawings depict environmental subject matter only and form no part of the claimed design.

1 Claim, 5 Drawing Sheets



(56)

References Cited

U.S. PATENT DOCUMENTS

D561,801	S	2/2008	Nakamura	
D597,576	S *	8/2009	Kim et al.	D16/202
7,778,014	B2 *	8/2010	Saiki et al.	361/679.01
D628,220	S *	11/2010	Lee	D16/202
D634,766	S *	3/2011	Ham	D16/202
7,929,859	B2 *	4/2011	Saiki	396/535
D639,841	S *	6/2011	Sul	D16/202
D649,572	S	11/2011	Lee	
D662,958	S	7/2012	Fujita	
D682,906	S	5/2013	Uemachi et al.	

FOREIGN PATENT DOCUMENTS

JP	D1432777	S	1/2012
JP	D1441456	S	5/2012
JP	D1441457	S	5/2012
JP	D1441458	S	5/2012

OTHER PUBLICATIONS

[No Author Listed] Leica D-Lux 4 and C-Lux 3. Wex blog. Sep. 23, 2008. Accessed online: <http://www.wexphotographic.com/blog/leica-d-lux-4-and-c-lux-3>. Last accessed Feb. 14, 2013.

[No Author Listed] Leica D-Lux-4: the first digital compact system camera. Date not listed on document. DC Views. Accessed online:

<http://www.dcvIEWS.com/press/Leica-D-Lux-4.htm> Last accessed Feb. 14, 2013.

LR Admin, Leca D-Lux 4 custom hot shoe cover. <http://leicarumors.com> Jan. 15, 2009. Accessted online at: <http://leicarumors.com/2009/01/15/leica-d-lux-4-custom-hot-shoe-cover.aspx/> Last accessed Feb. 14, 2013.

Franiec, Leica D-LUX 4. Accessed online at: http://kleptography.com/rf/#camera_dlux4. Last accessed Feb. 14, 2013.

[No Author Listed] Leica D-LUX5. Leica website. Accessed online: http://jp.leica-camera.com/photography/compact_cameras/d-lux_5/. Last accessed Feb. 14, 2013.

[No Author Listed] Leica D-Lux 5 Camera with battery & charger. Seikamon. Listed Oct. 3, 2012. Accessed online: <http://www.sekaimon.com/i320994683765>. Last accessed Feb. 14, 2013.

[No Author Listed] Leica X-1 New Products. DC Watch. May 31, 2010. Accessed online: http://dc.watch.impress.co.jp/docs/review/newproduct/20100531_370187.html. Last accessed Feb. 14, 2013.

[No Author Listed] Leica X-1. Tecomac Trading Co. Ltd. Product added to catalog May 10, 2012. Accessed online: http://www.tecomac.net/v2/product_info.php?products_id=301. Last accessed Feb. 14, 2013.

[No Author Listed] Leica X-1. Vingt Huit Blog. Sep. 10, 2009. Accessed online: <http://vingt-huit.blog.so-net.ne.jp/2009-09-10-1>. Last accessed Feb. 14, 2013.

* cited by examiner

FIG. 1

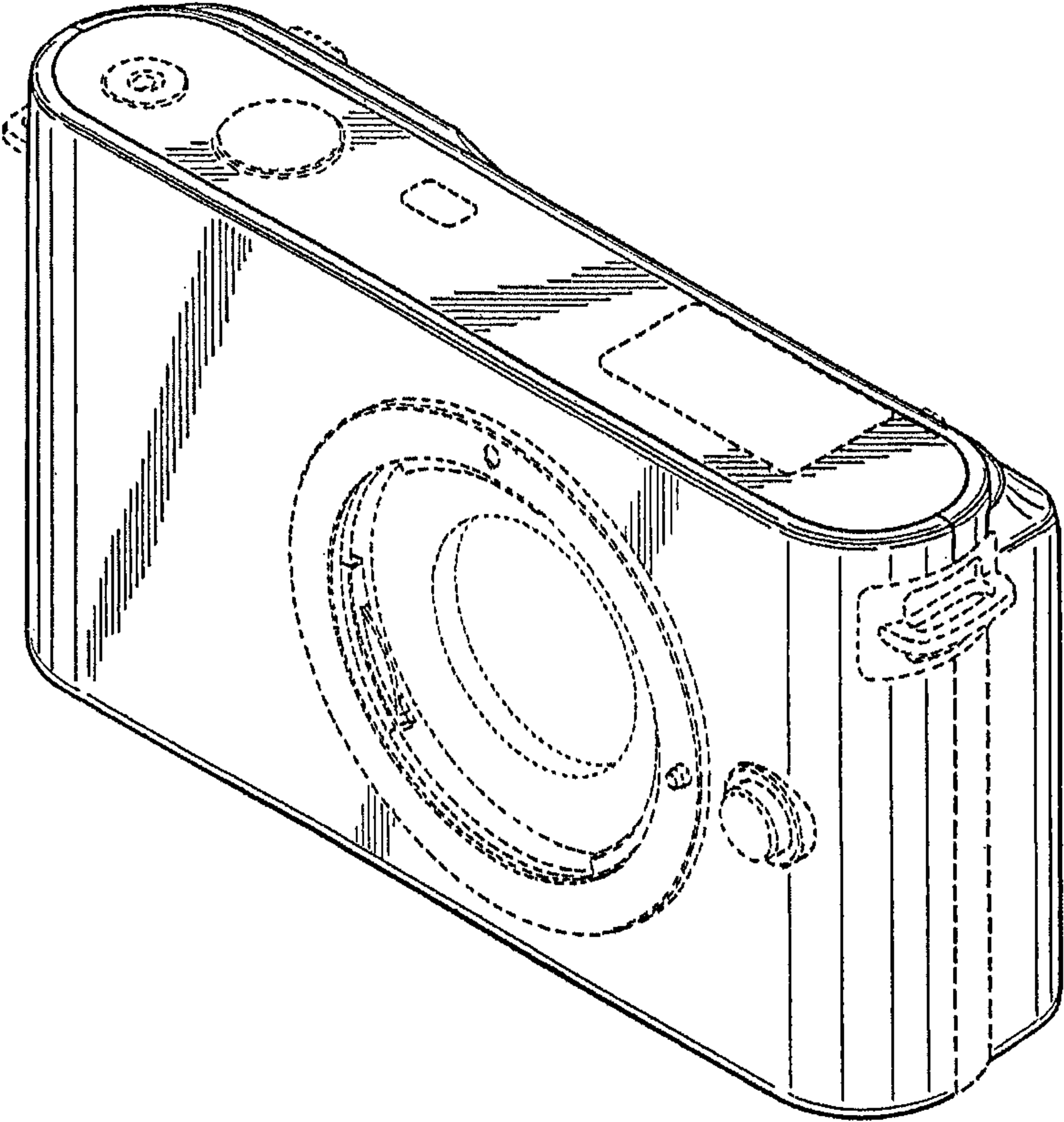


FIG. 2

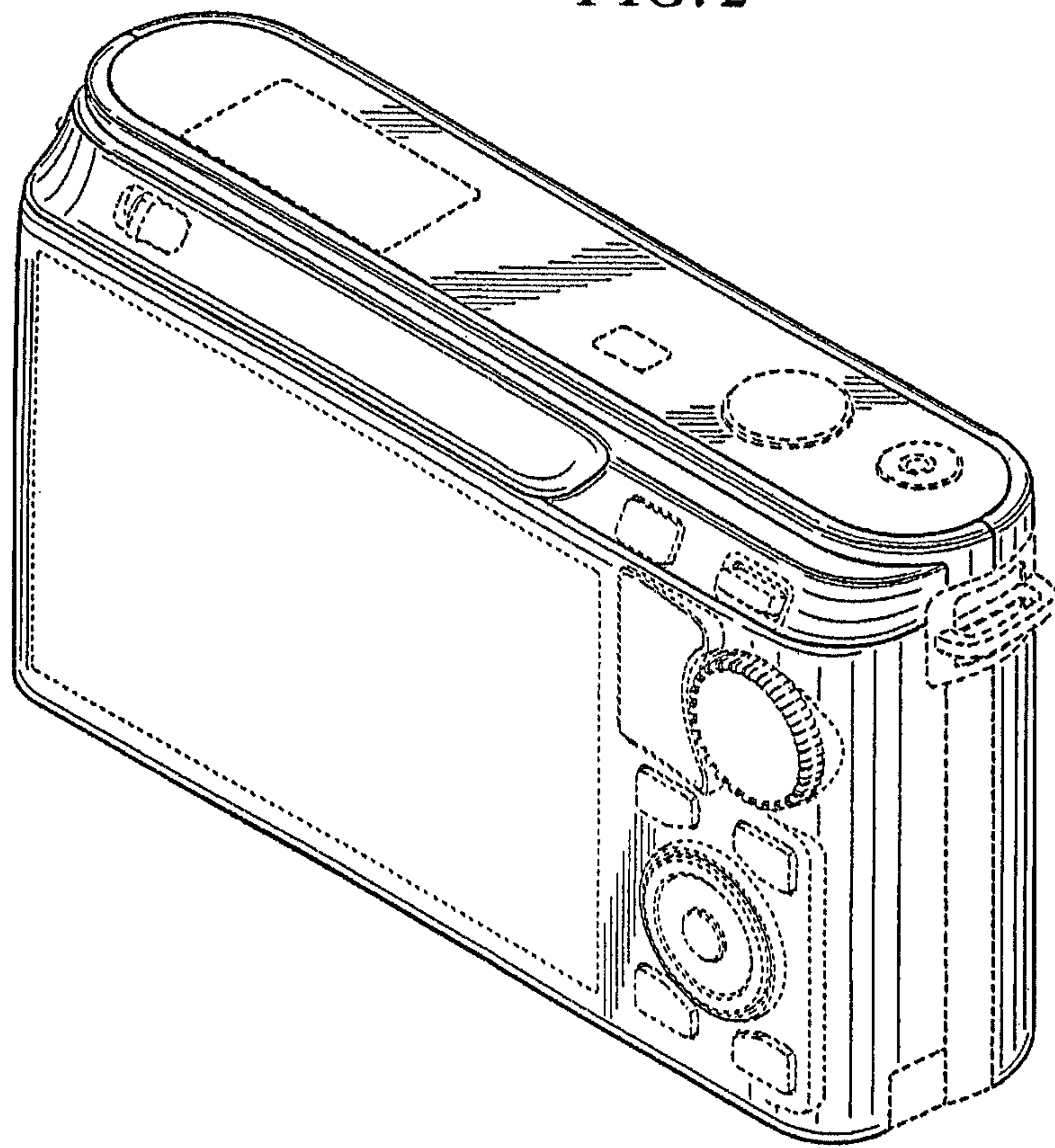


FIG. 3

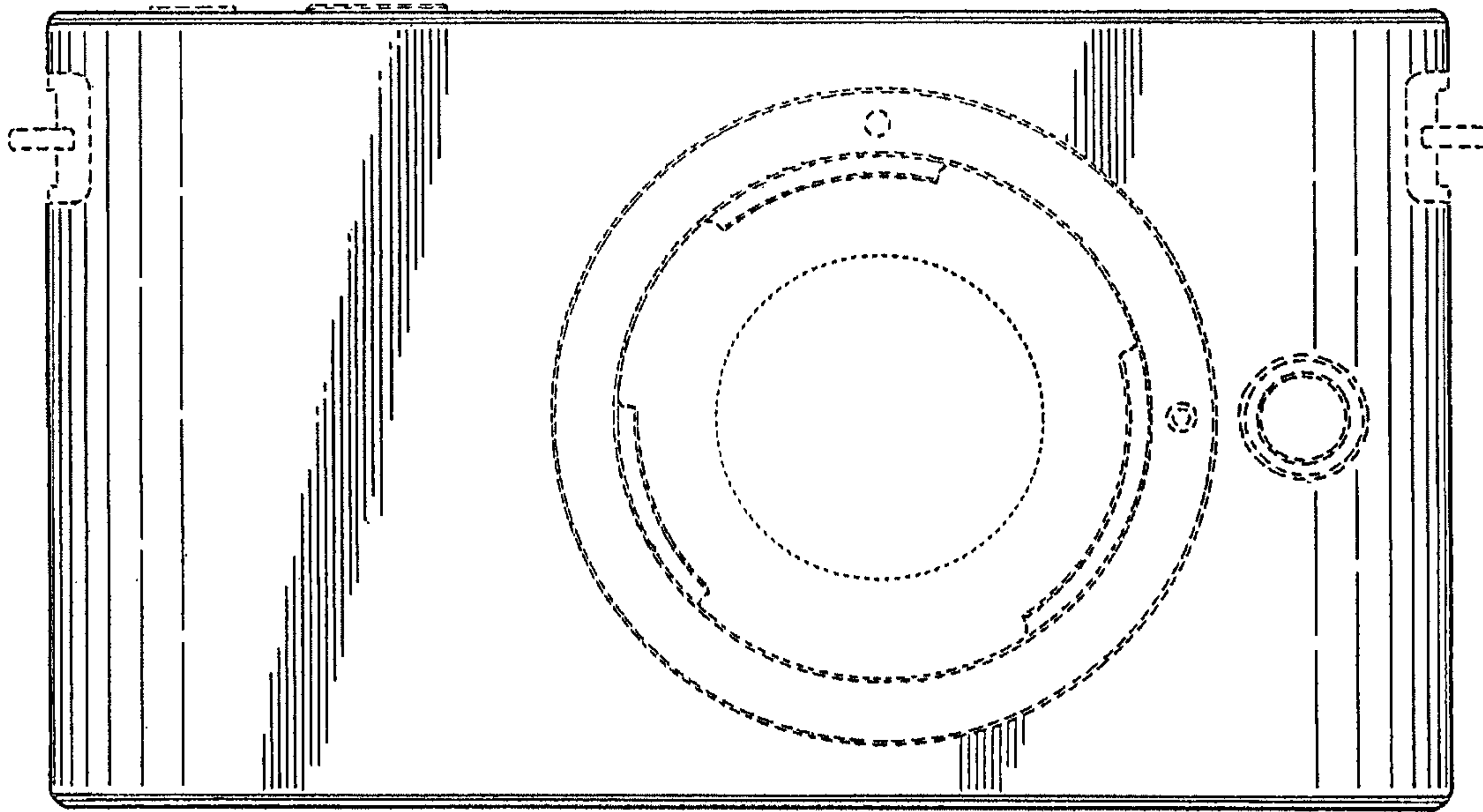


FIG. 4

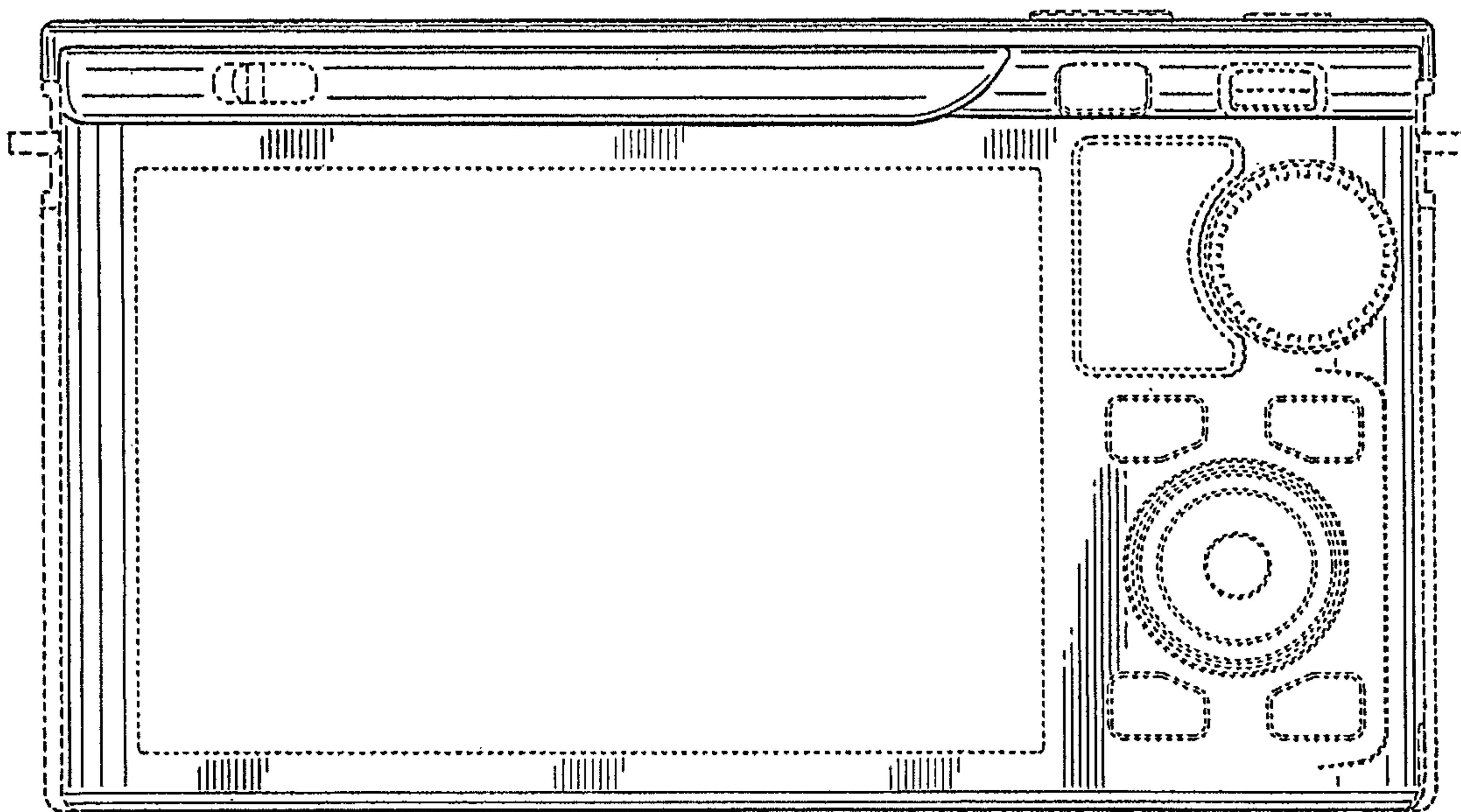


FIG. 5

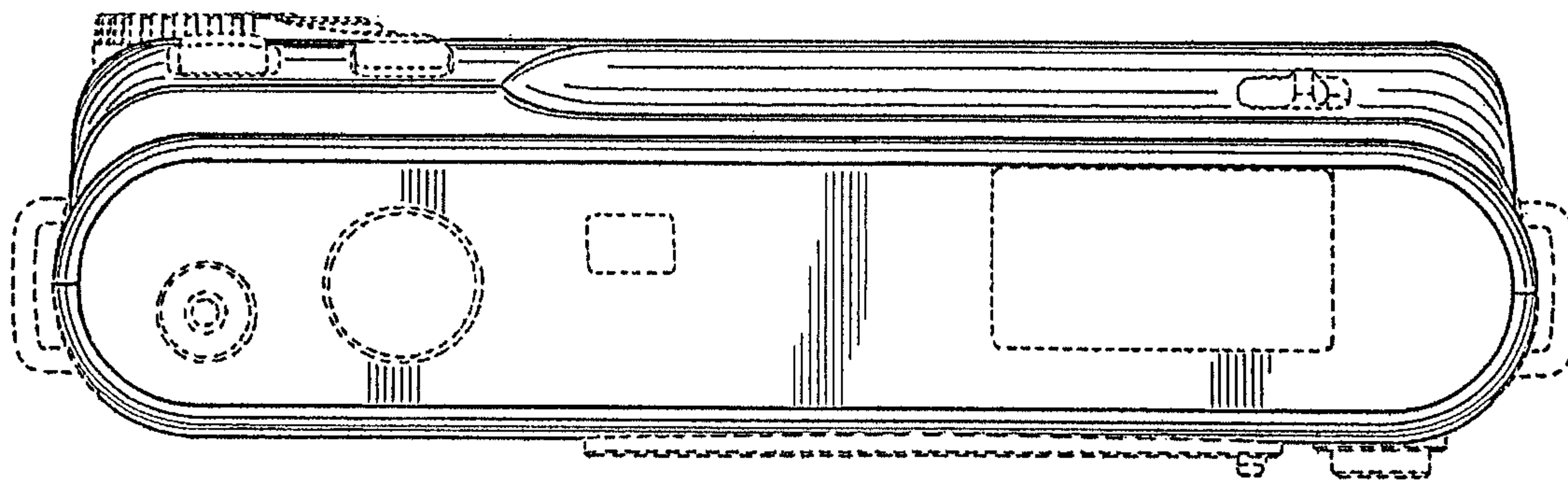


FIG. 6

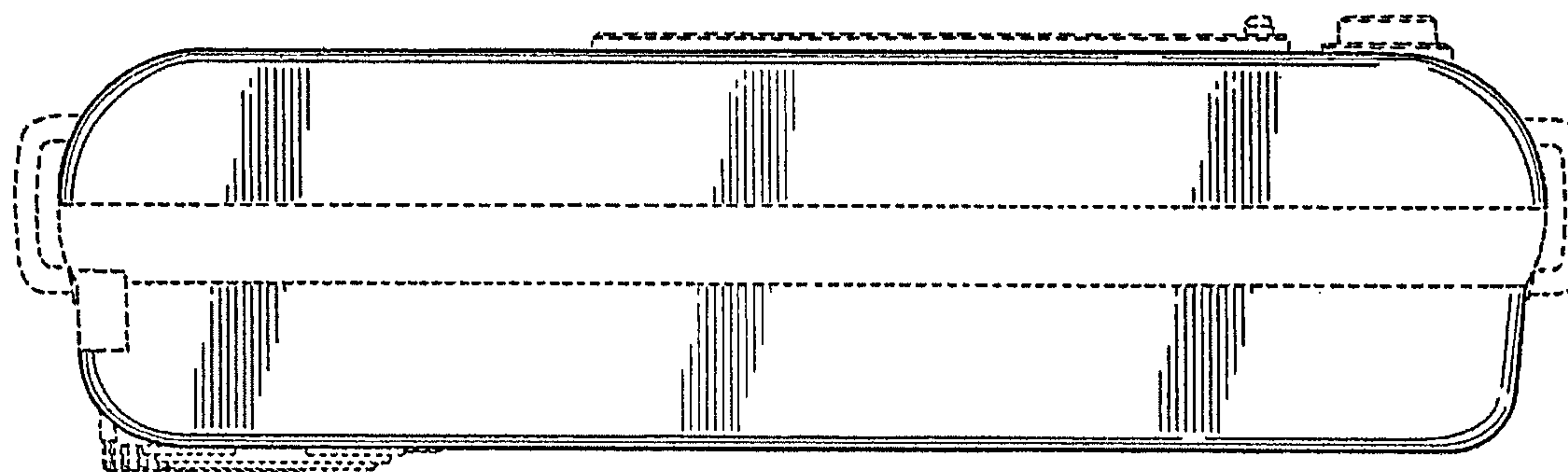


FIG. 7

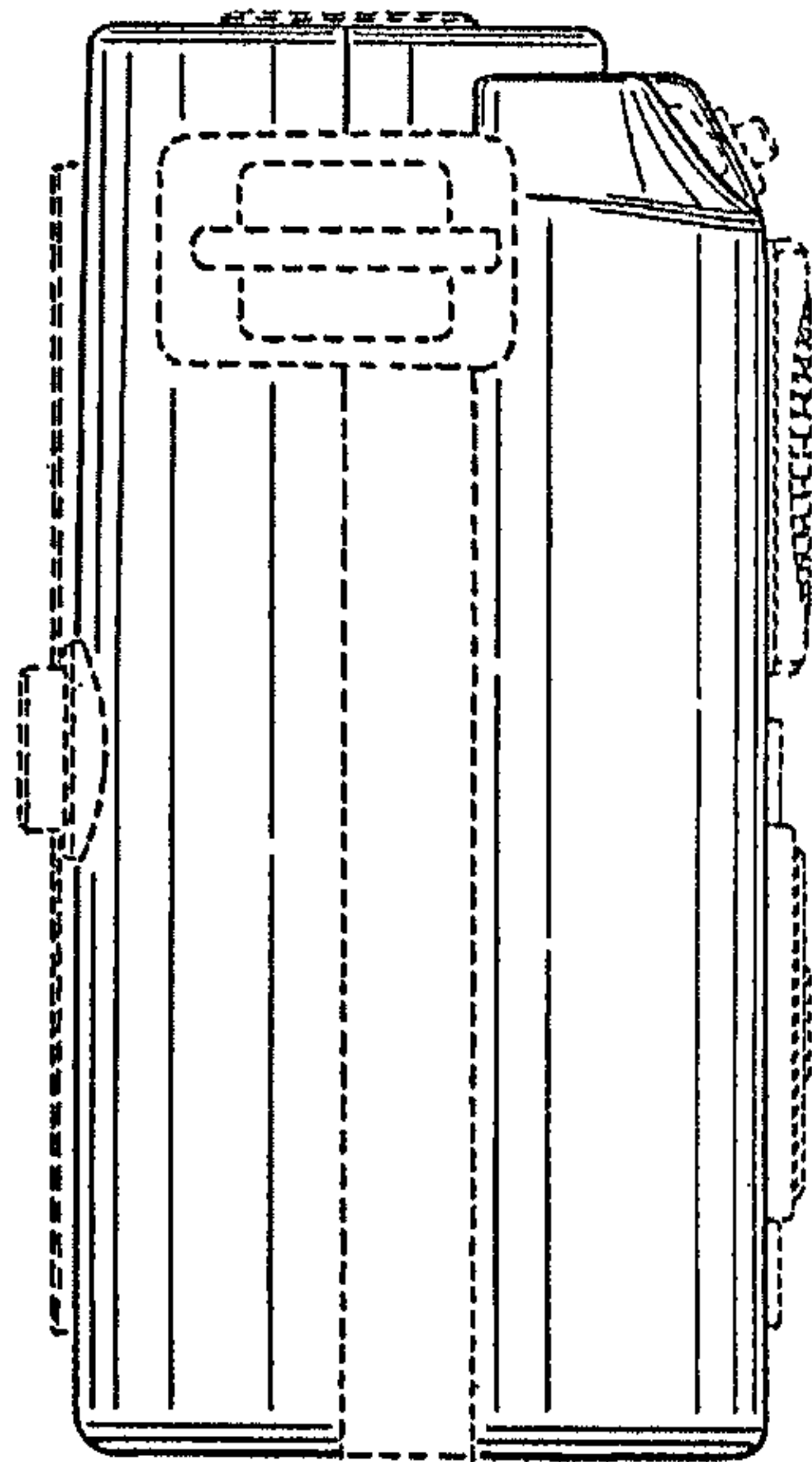


FIG. 8

