



US00D692043S

(12) **United States Design Patent**
Nagaoka et al.

(10) **Patent No.:** **US D692,043 S**

(45) **Date of Patent:** **** Oct. 22, 2013**

(54) **DIGITAL CAMERA**

(75) Inventors: **Yasuki Nagaoka**, Saitama (JP);
Yasuhide Yokoi, Tokyo (JP)

(73) Assignee: **Nikon Corporation**, Tokyo (JP)

(**) Term: **14 Years**

(21) Appl. No.: **29/426,324**

(22) Filed: **Jul. 3, 2012**

(30) **Foreign Application Priority Data**

Jan. 5, 2012 (JP) 2012-000028

(51) **LOC (9) Cl.** **16-05**

(52) **U.S. Cl.**
USPC **D16/219**

(58) **Field of Classification Search**
USPC D16/200, 202, 204, 206, 218, 219;
348/373-376; 358/909.1;
396/176-178, 354-359, 535
See application file for complete search history.

(56) **References Cited**

U.S. PATENT DOCUMENTS

D439,922 S * 4/2001 Kumakura D16/217
D542,321 S * 5/2007 Takahashi D16/202

D546,860 S * 7/2007 Meguro D16/219
D557,308 S * 12/2007 Matsuda D16/217
D592,232 S * 5/2009 Matsuda D16/219
7,701,505 B2 * 4/2010 Kikuchi 348/374
D639,325 S * 6/2011 Yamauchi et al. D16/202
8,384,822 B2 * 2/2013 Nishimoto et al. 348/373

* cited by examiner

Primary Examiner — Adir Aronovich

(74) *Attorney, Agent, or Firm* — Wolf, Greenfield & Sacks,
P.C.

(57) **CLAIM**

The ornamental design for a digital camera, as shown and described.

DESCRIPTION

FIG. 1 is a front perspective view of a digital camera showing our new design;
FIG. 2 is a front elevational view thereof;
FIG. 3 is a top plan view thereof;
FIG. 4 is a bottom plan view thereof;
FIG. 5 is a right side elevational view thereof; and,
FIG. 6 is a left side elevational view thereof.
The features shown in broken lines in the drawings depict environmental subject matter only and form no part of the claimed design. The dot-dashed lines denote the boundary of the claim and form no part of the claimed design.

1 Claim, 6 Drawing Sheets

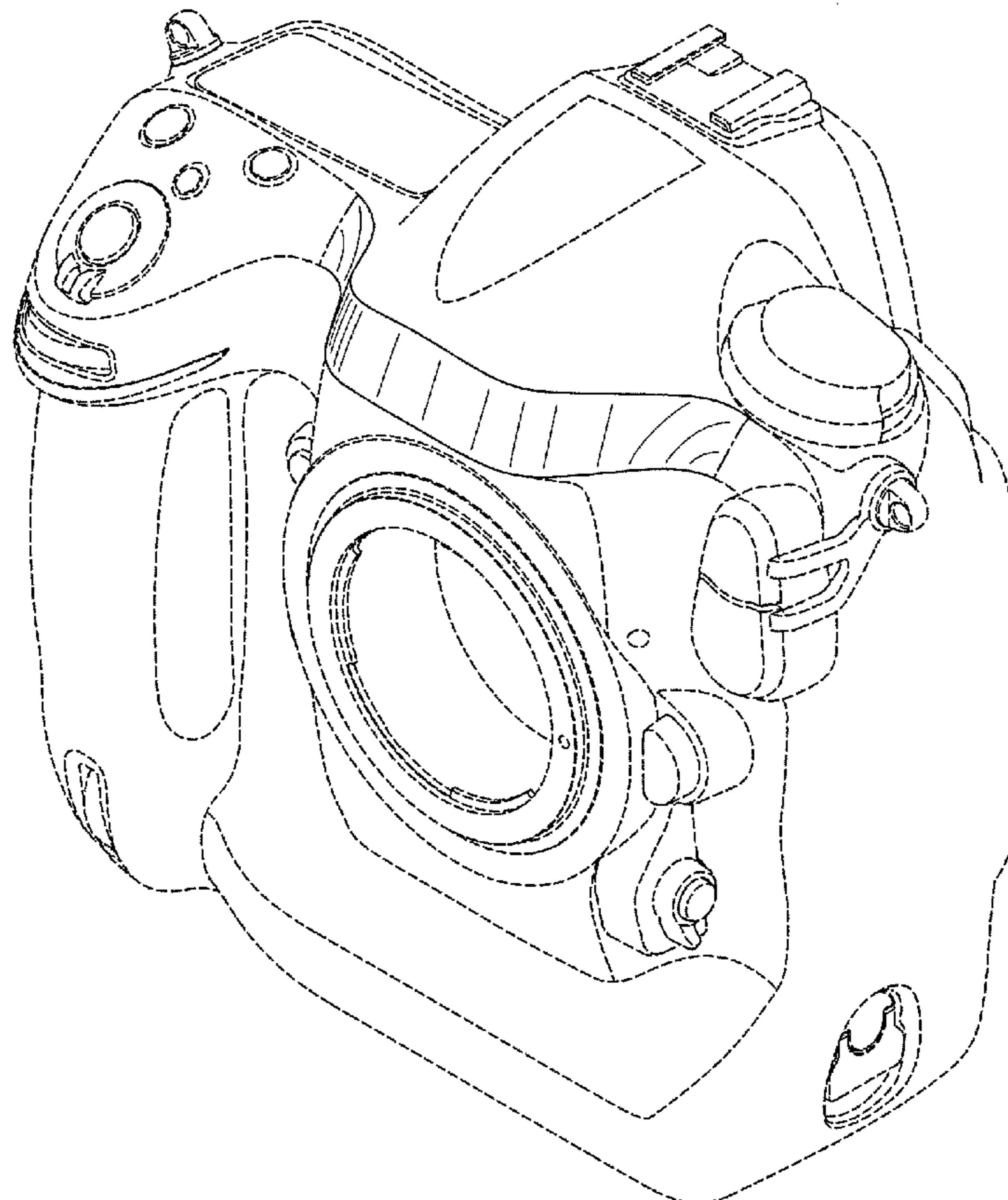


FIG. 1

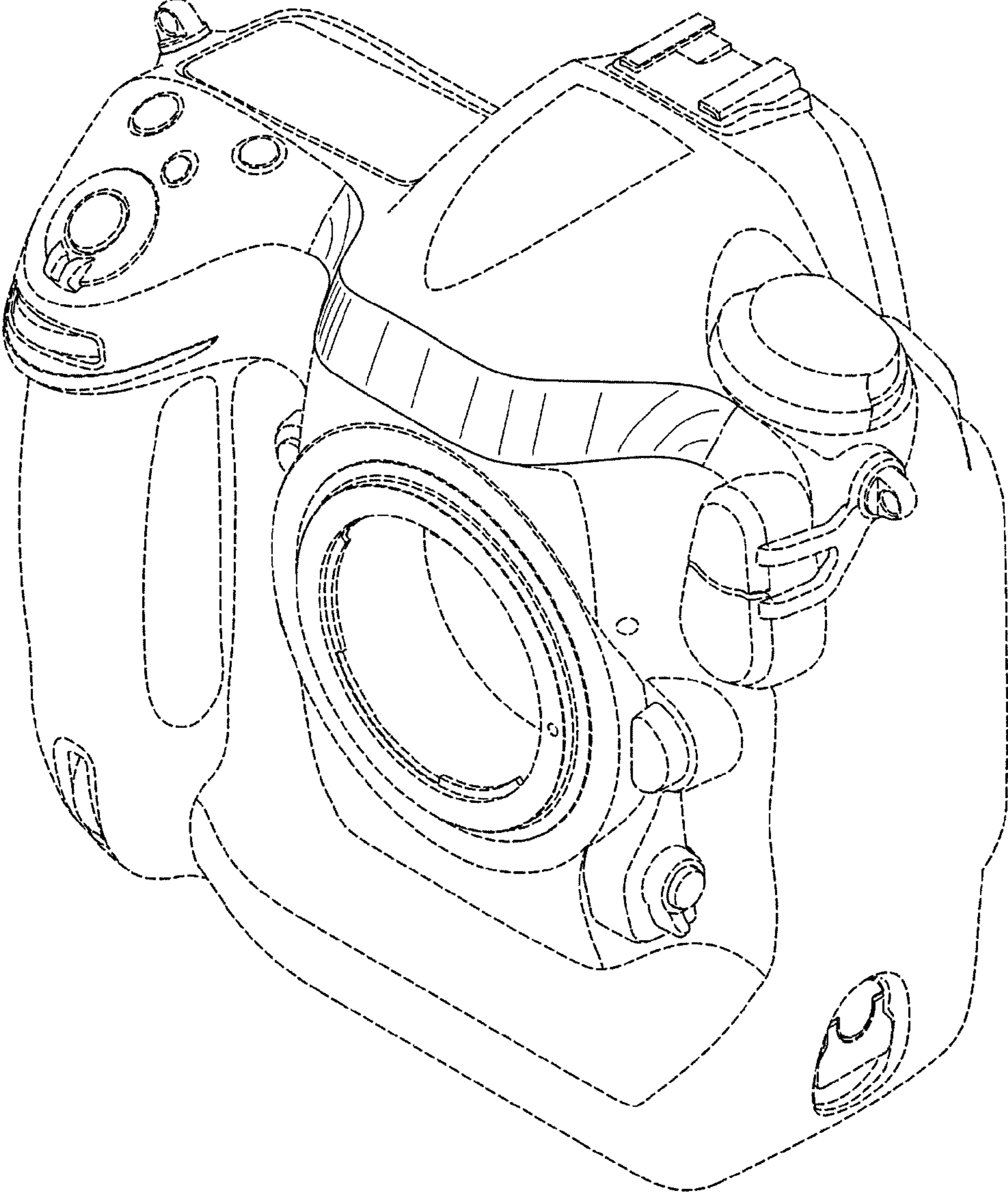


FIG. 2

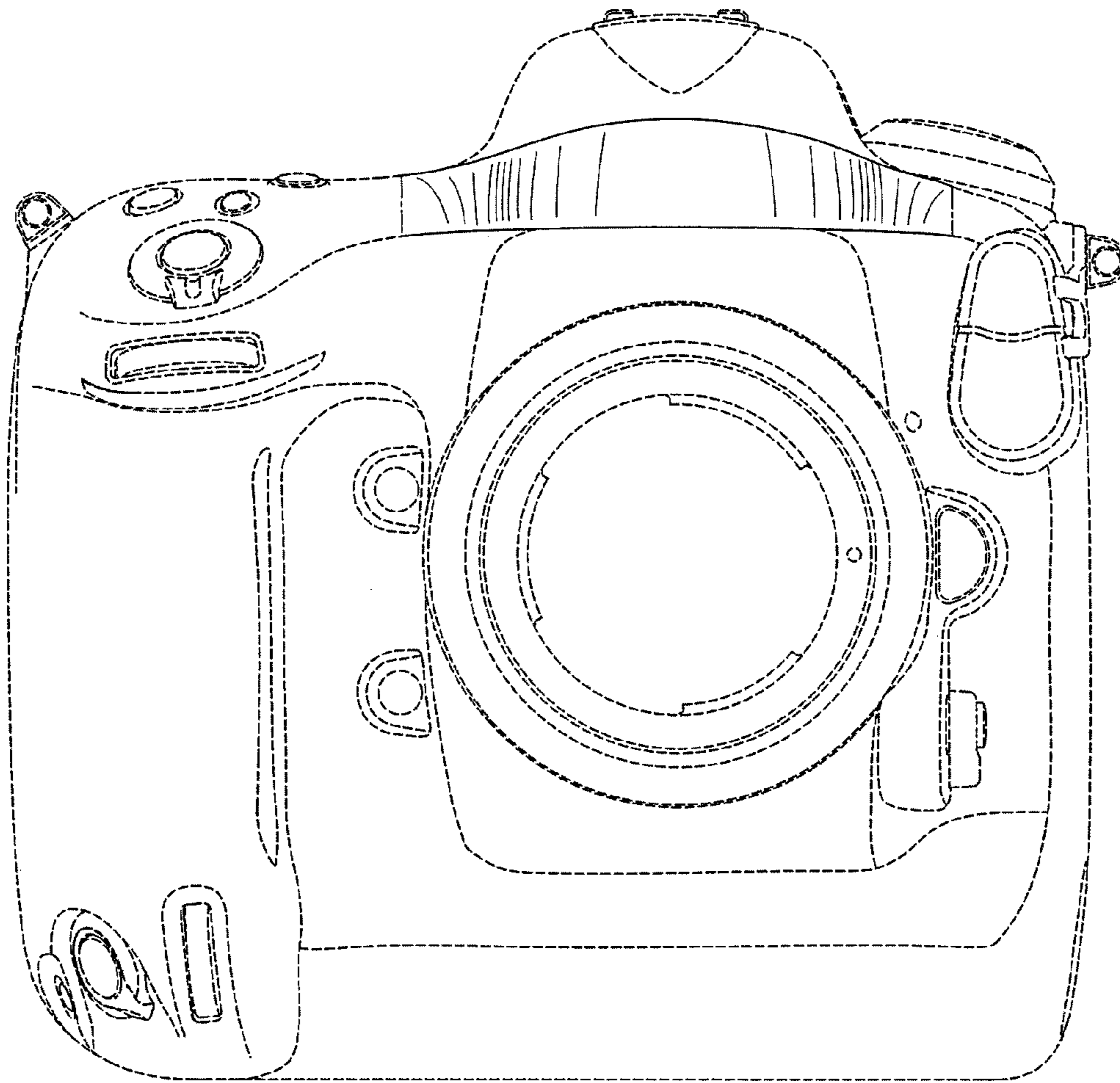


FIG. 3

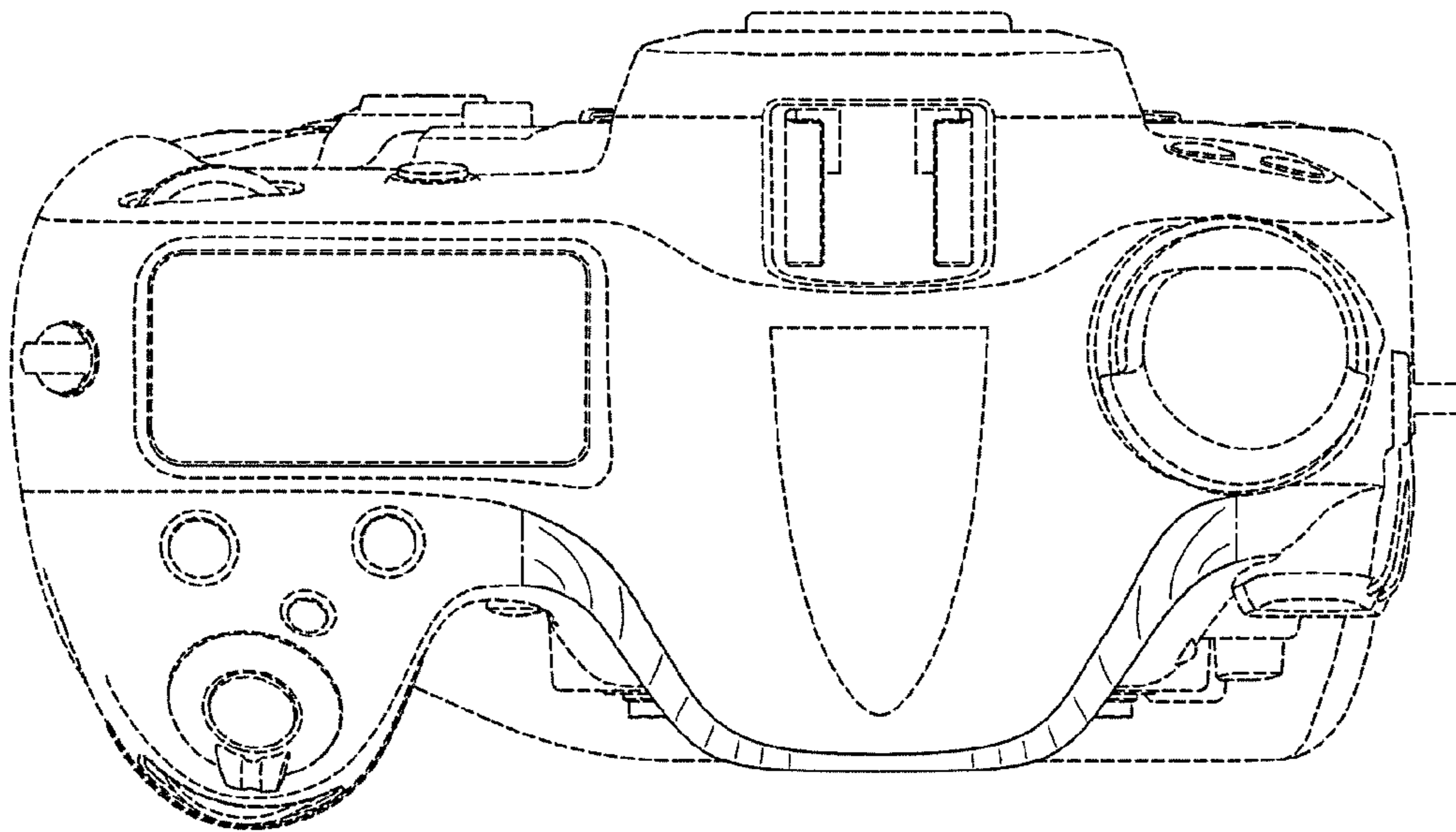


FIG. 4

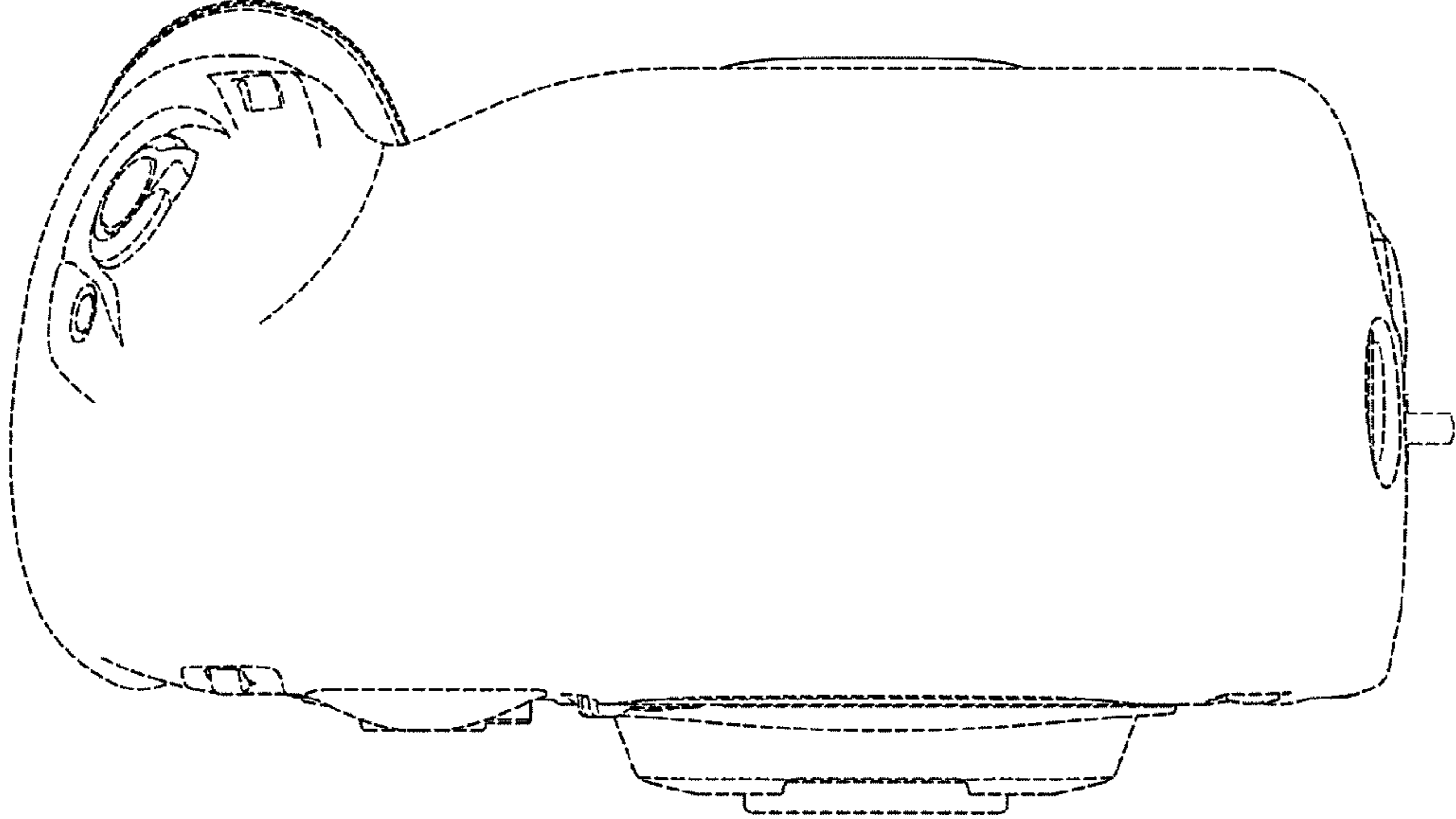


FIG. 5

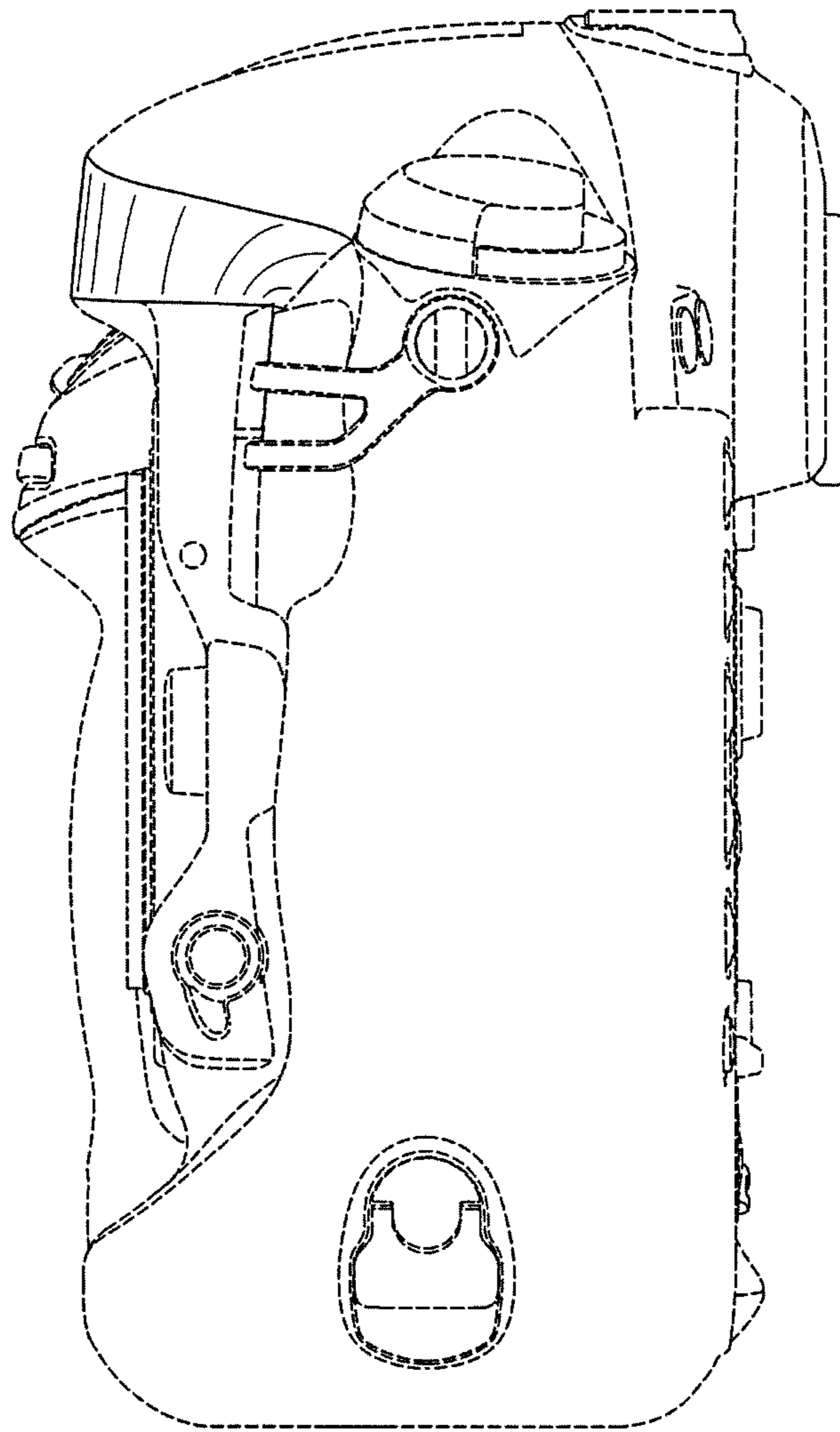


FIG. 6

