



US00D692042S

(12) **United States Design Patent**
Dawes et al.

(10) **Patent No.:** **US D692,042 S**

(45) **Date of Patent:** **** Oct. 22, 2013**

(54) **REMOTE CAMERA**

(75) Inventors: **Paul J. Dawes**, Woodside, CA (US);
Reza Raji, Palo Alto, CA (US)

(73) Assignee: **iControl Networks, Inc.**, Redwood City,
CA (US)

(**) Term: **14 Years**

(21) Appl. No.: **29/419,628**

(22) Filed: **Apr. 30, 2012**

(51) **LOC (9) Cl.** **16-01**

(52) **U.S. Cl.**
USPC **D16/203**

(58) **Field of Classification Search**
USPC D16/200, 202, 203, 208, 218; 348/143,
348/373-374; 396/427, 535-541
See application file for complete search history.

(56) **References Cited**

U.S. PATENT DOCUMENTS

D377,034 S * 12/1996 Matsushita D16/202
D389,501 S * 1/1998 Mascarenas et al. D16/202
D460,472 S * 7/2002 Wang D16/202

7,425,101 B2 * 9/2008 Cheng 396/427
7,697,028 B1 * 4/2010 Johnson 348/373
D680,151 S * 4/2013 Katori D16/242

* cited by examiner

Primary Examiner — Adir Aronovich

(74) *Attorney, Agent, or Firm* — Gregory & Sawrie LLP

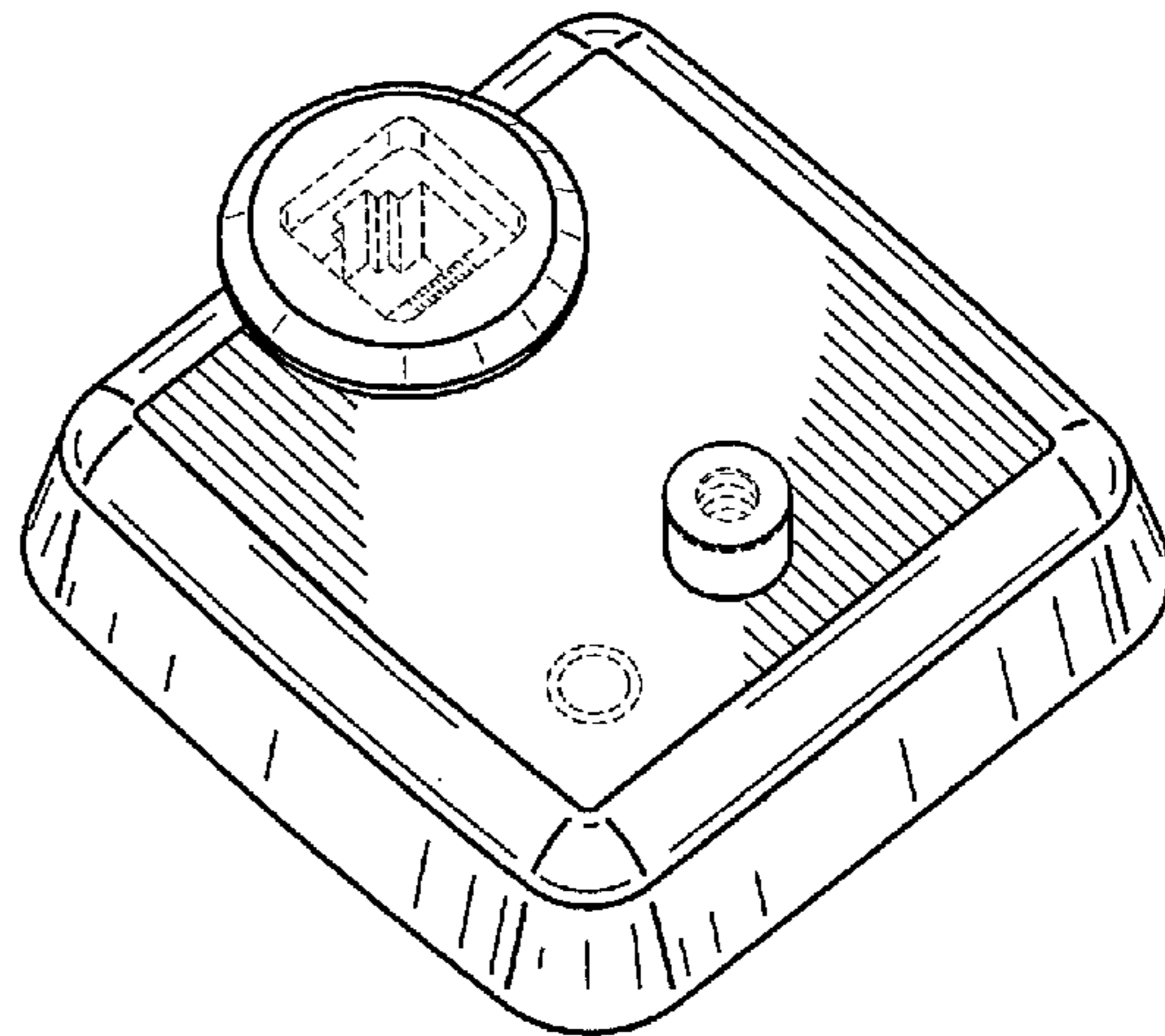
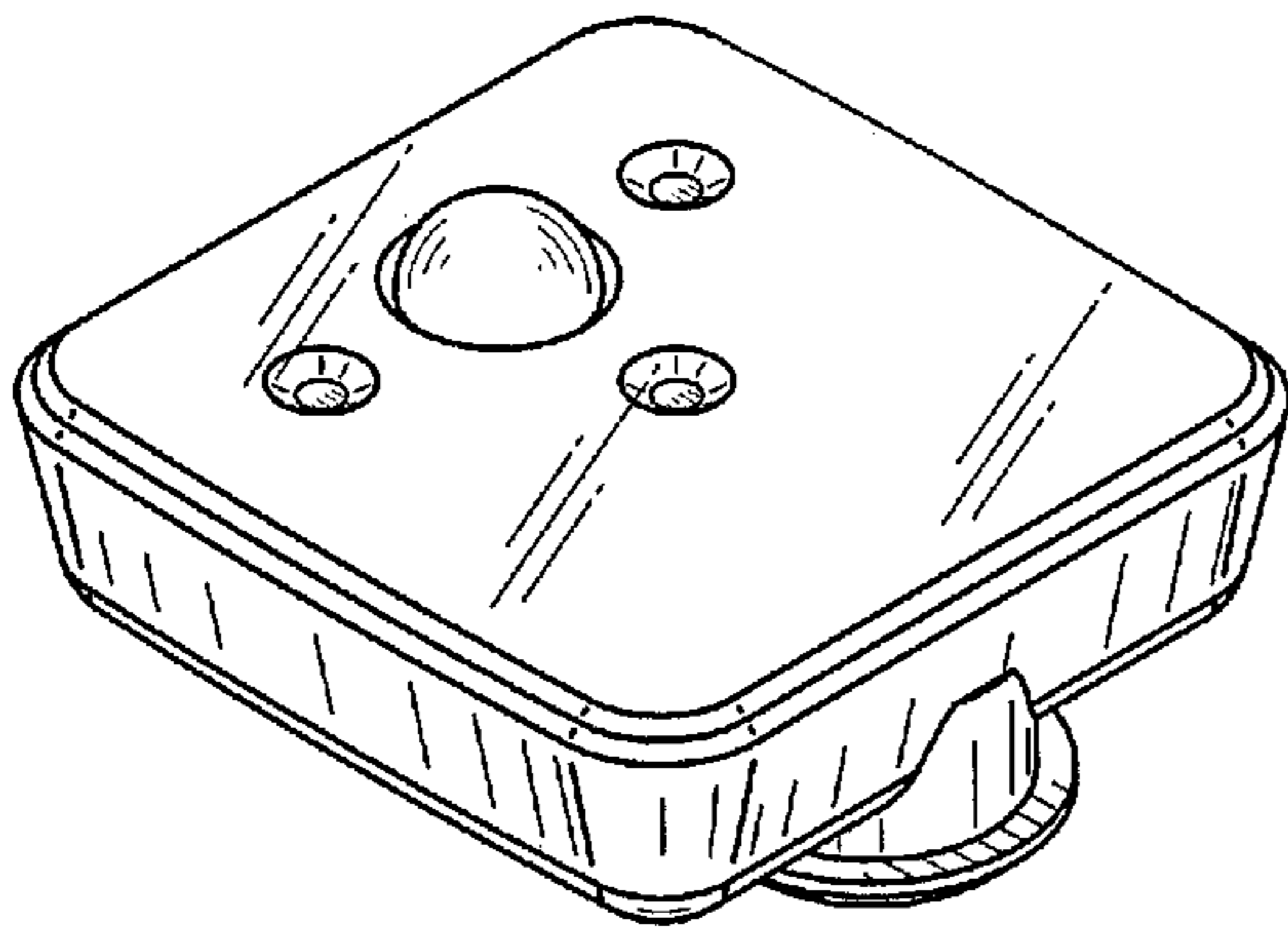
(57) **CLAIM**

The ornamental design for a remote camera, as shown and described.

DESCRIPTION

FIG. 1 is a top and front perspective view of a remote camera showing our new design;
FIG. 2 is a bottom and rear perspective view thereof;
FIG. 3 is top plan view thereof;
FIG. 4 is a bottom plan view thereof;
FIG. 5 is a front elevational view thereof;
FIG. 6 is a rear elevational view thereof;
FIG. 7 is a left side elevational view thereof;
FIG. 8 is a right side elevational view thereof; and,
FIG. 9 is a bottom plan view with a mount thereof.
The broken line portions in the drawings are shown to illustrate environment only and form no part of the claimed design.

1 Claim, 4 Drawing Sheets



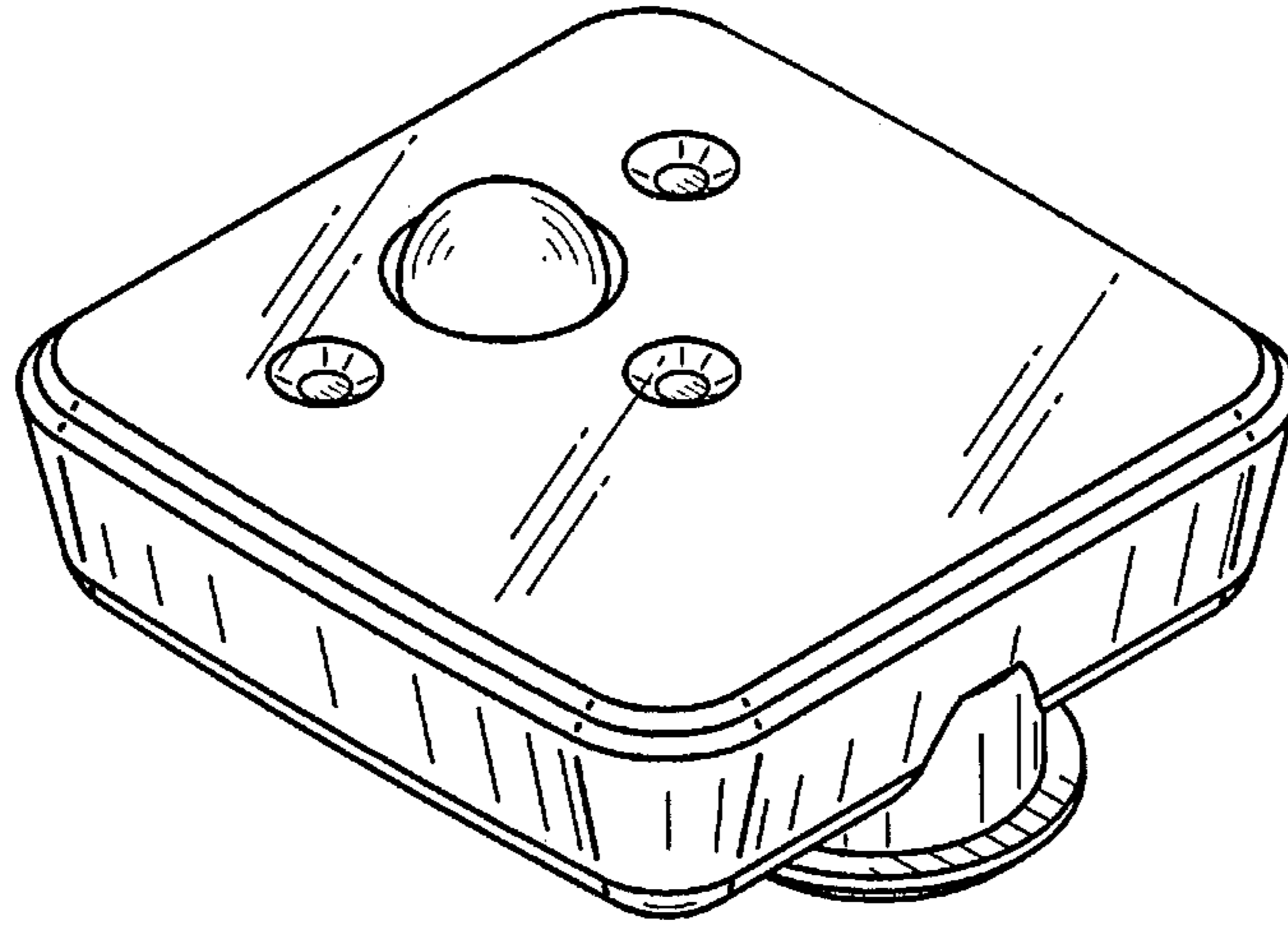


FIG. 1

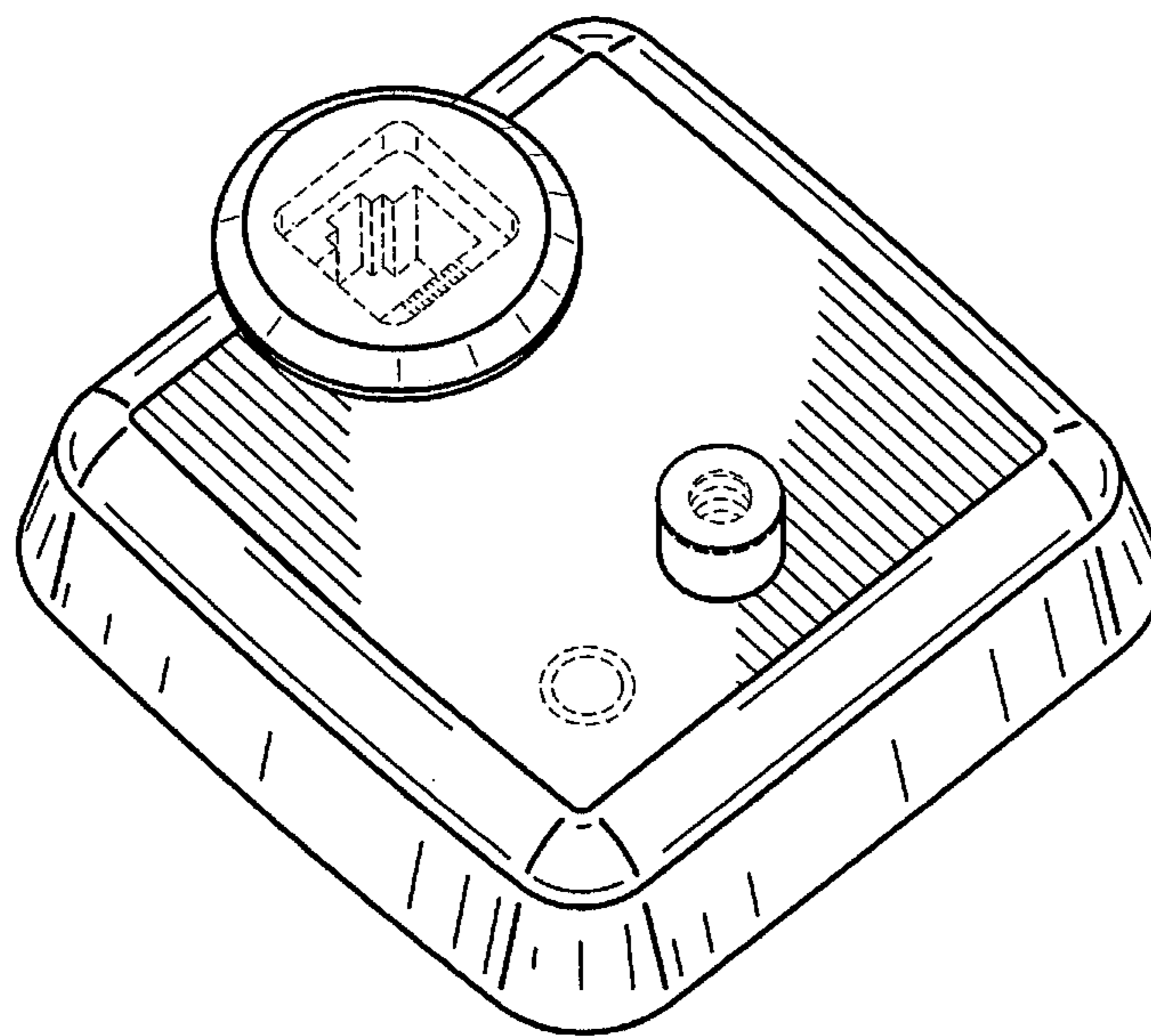


FIG. 2

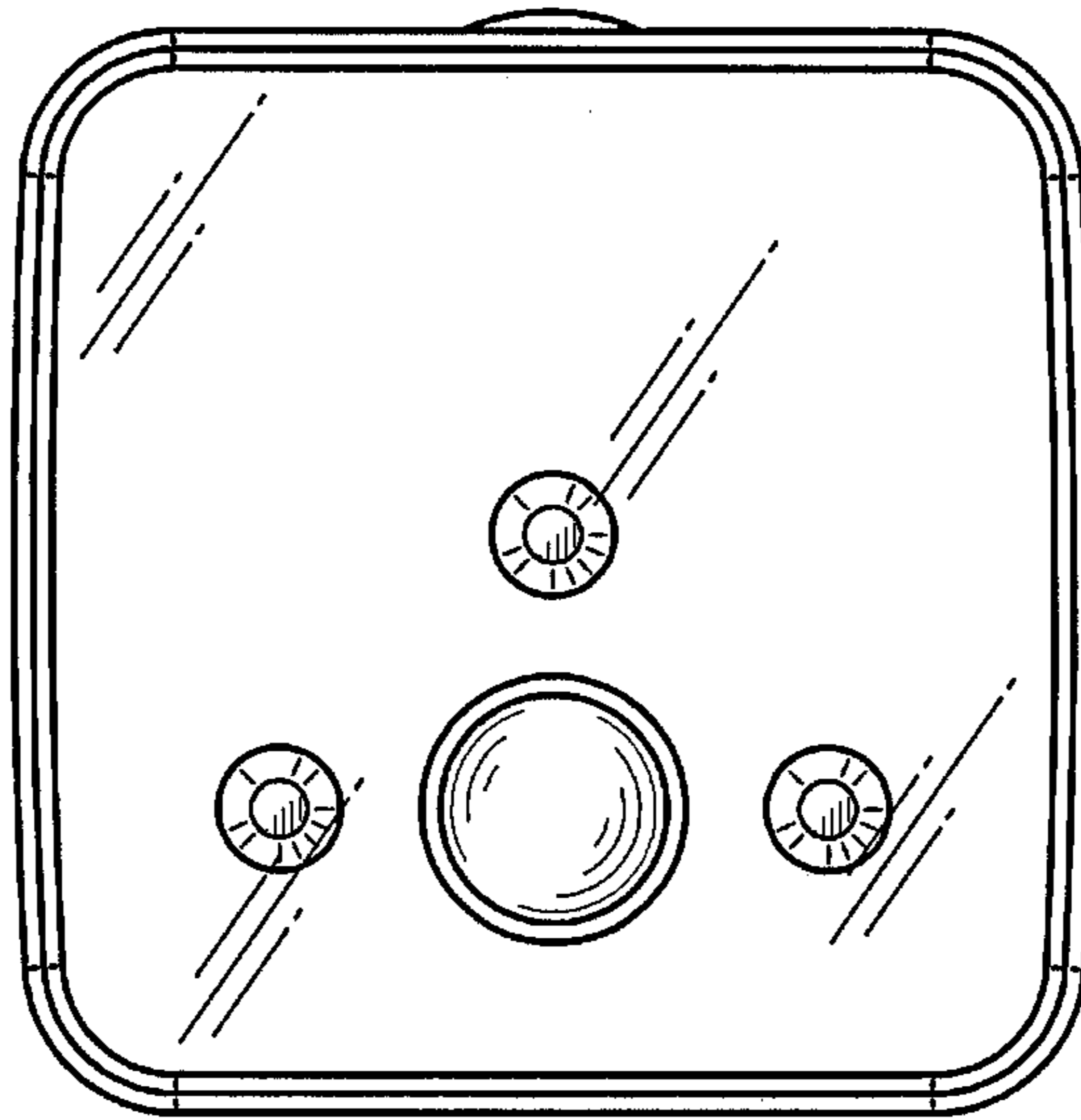


FIG. 3

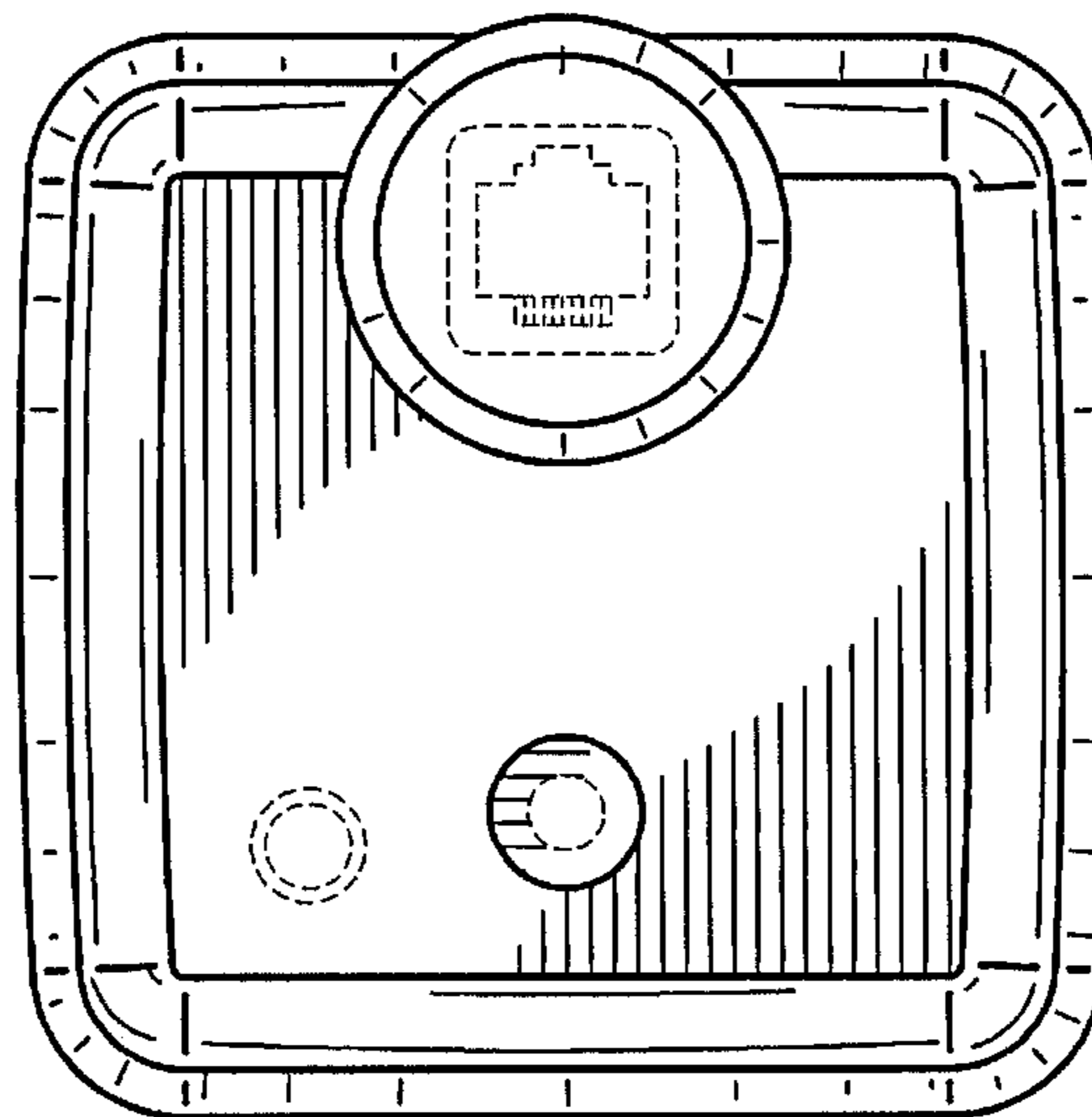


FIG. 4

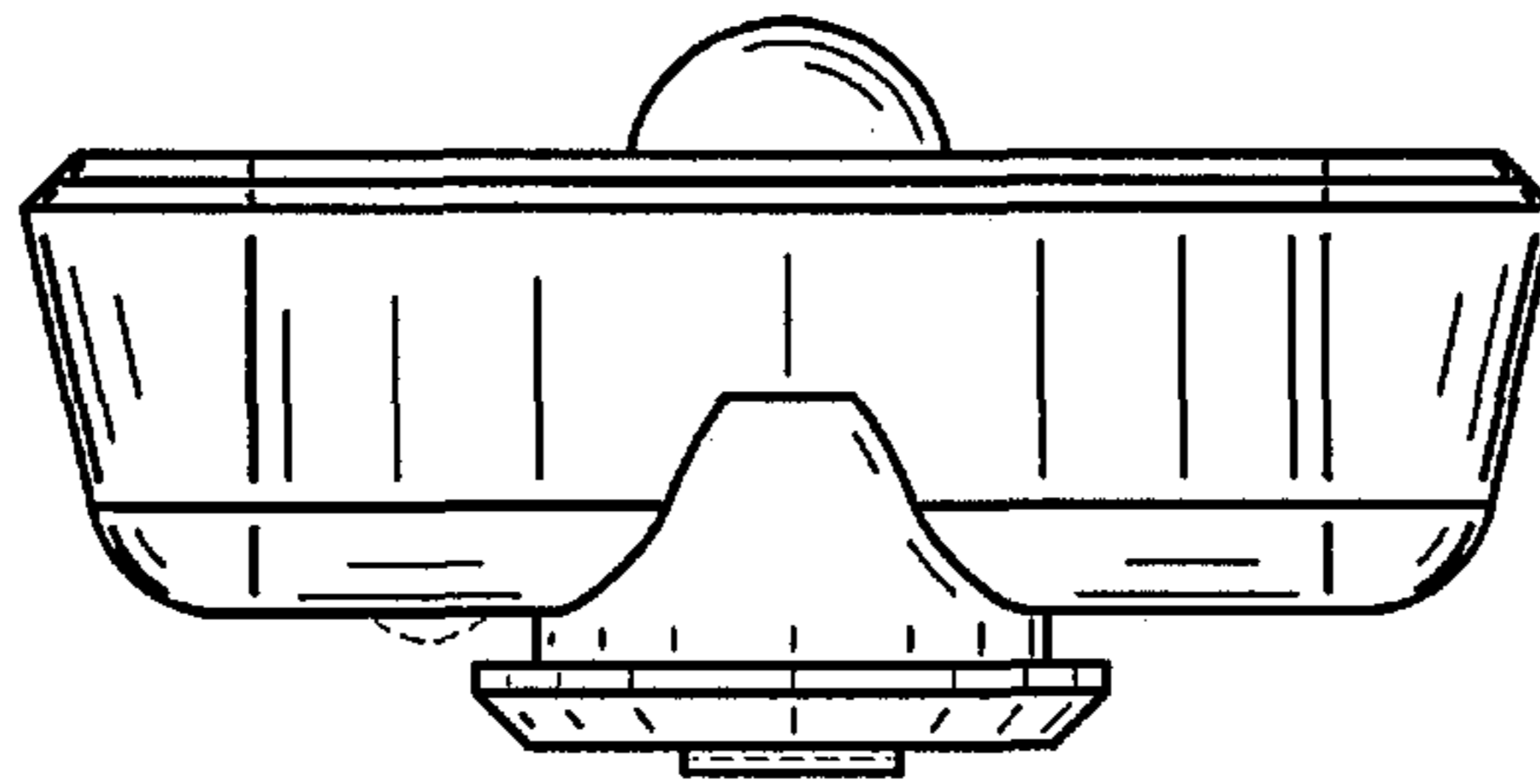


FIG. 5

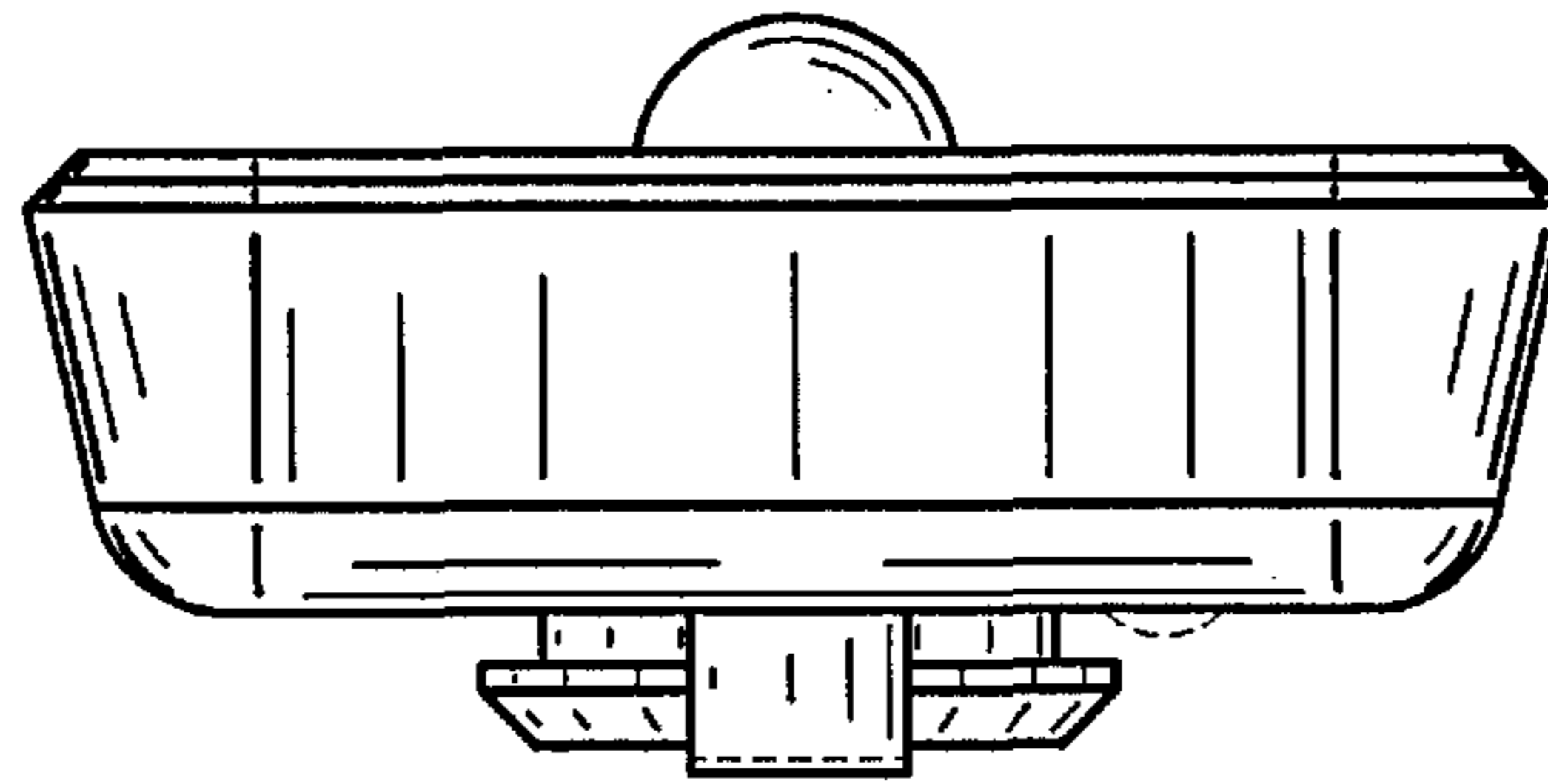


FIG. 6

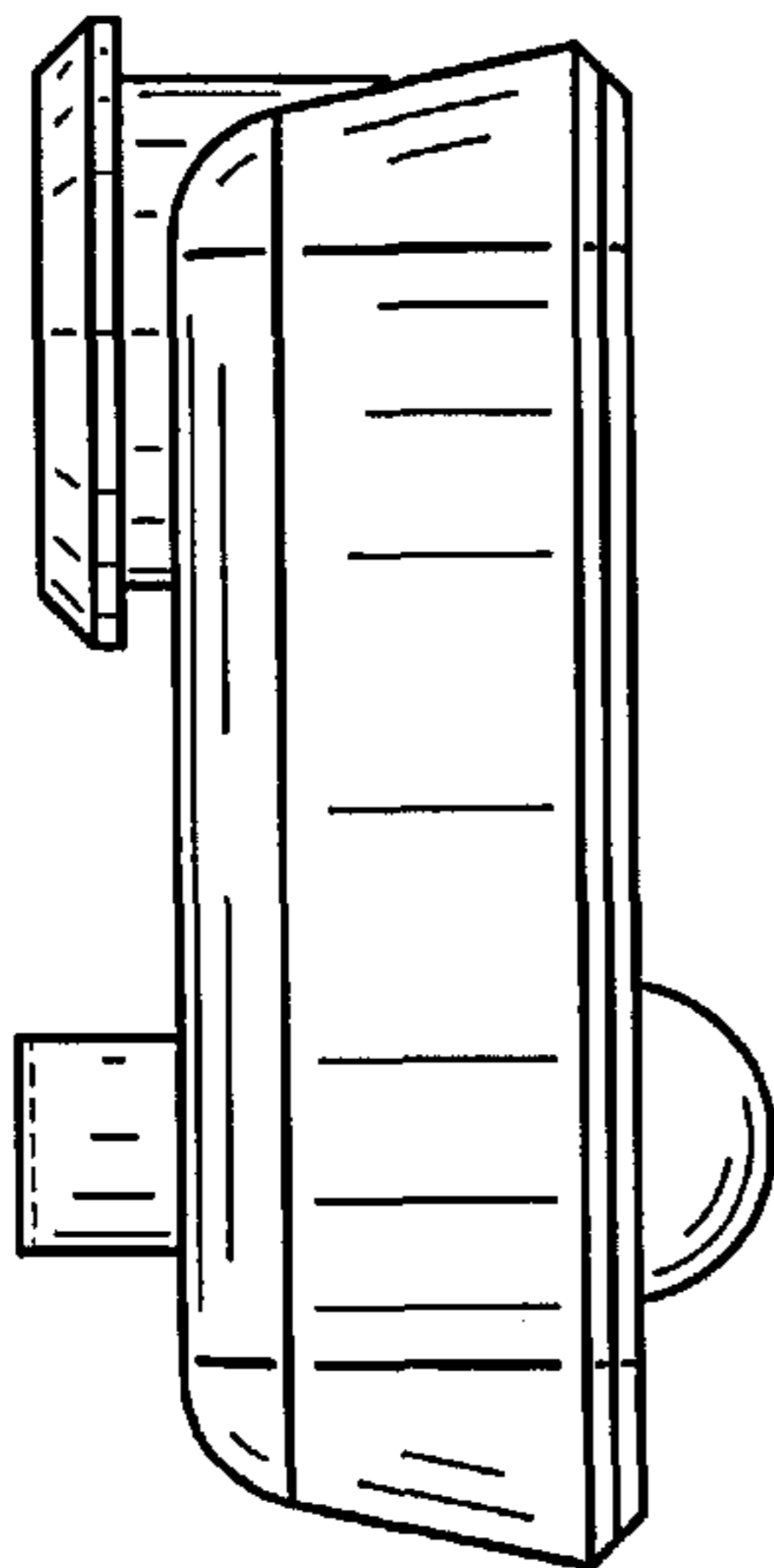


FIG. 7

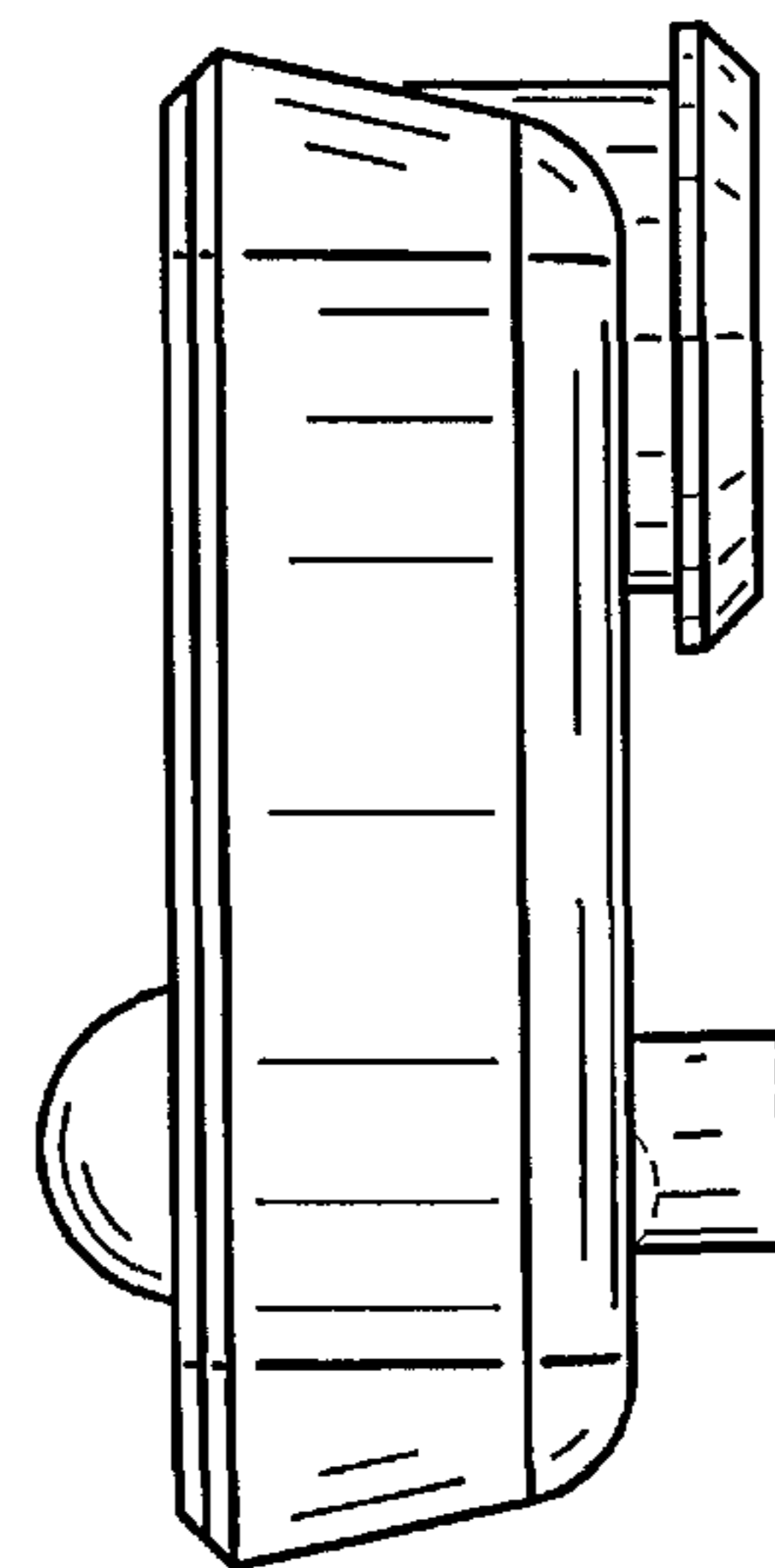


FIG. 8

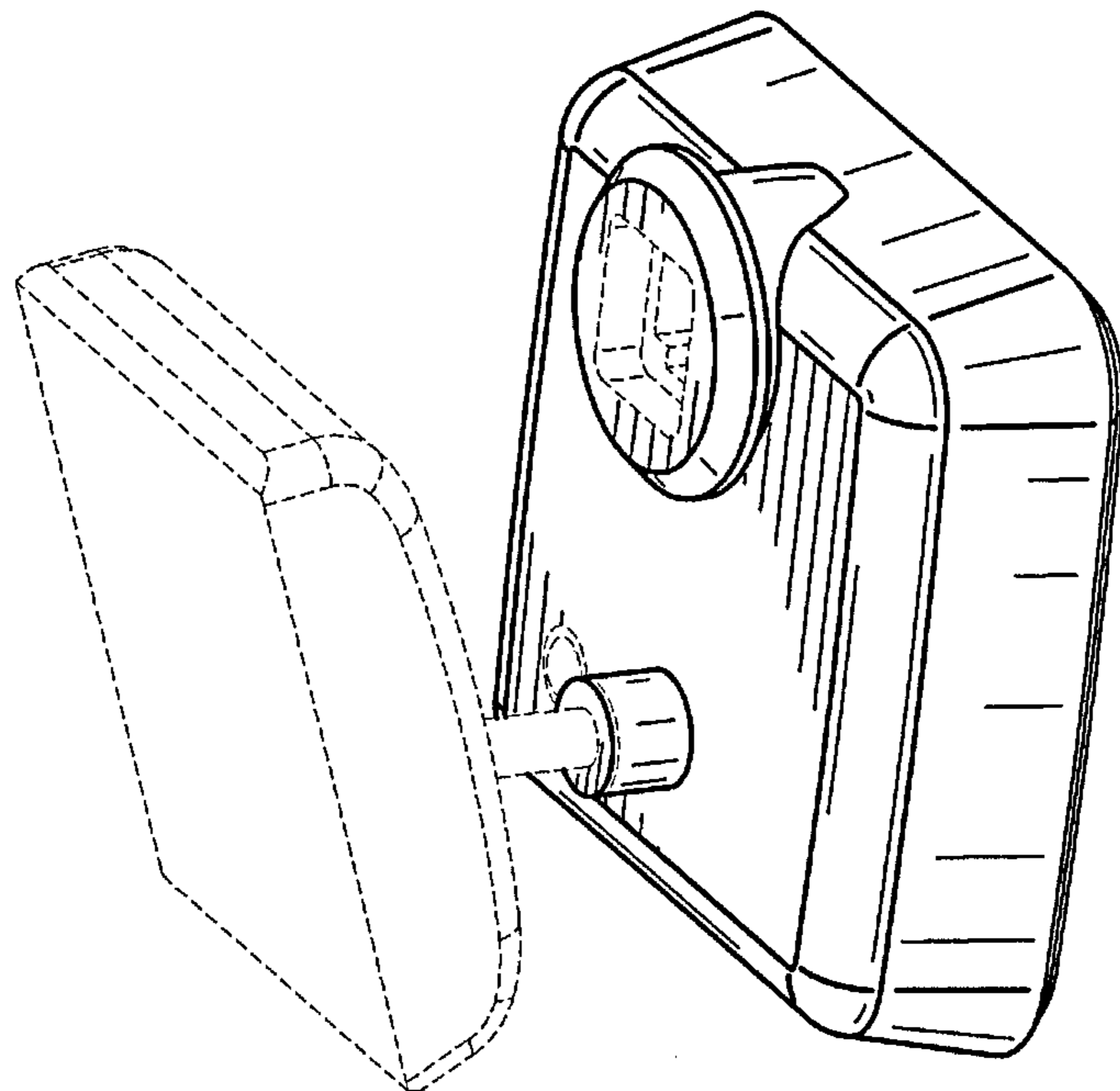


FIG. 9