



US00D692040S

(12) **United States Design Patent**
Buhr et al.

(10) **Patent No.:** **US D692,040 S**
(45) **Date of Patent:** **** Oct. 22, 2013**

(54) **CHISEL HOLDER**

(71) Applicant: **Wirtgen GmbH**, Windhagen (DE)

(72) Inventors: **Karsten Buhr**, Willroth (DE); **Thomas Lehnert**, Oberraden (DE); **Cyrus Barimani**, Königswinter (DE); **Günter Hähn**, Königswinter (DE)

(73) Assignee: **Wirtgen GmbH** (DE)

(**) Term: **14 Years**

(21) Appl. No.: **29/452,139**

(22) Filed: **Apr. 12, 2013**

(51) **LOC (9) Cl.** **15-09**

(52) **U.S. Cl.**

USPC **D15/140**; D8/71

(58) **Field of Classification Search**

USPC D8/70-74; D15/131, 132, 138, 139, D15/140; 206/349; 209/106; 299/102-103, 299/105, 106-110; 408/204; 411/82.2, 411/82.5, 257, 258, 901-903, 914, 916, 930
See application file for complete search history.

(56) **References Cited**

U.S. PATENT DOCUMENTS

4,489,986	A *	12/1984	Dziak	299/104
6,244,665	B1 *	6/2001	Bise et al.	299/106
6,481,803	B2 *	11/2002	Ritchey	299/79.1
6,962,395	B2 *	11/2005	Mouthaan	299/104
7,300,115	B2 *	11/2007	Holl et al.	299/106
D567,270	S *	4/2008	Chiang	D15/140

D574,689	S *	8/2008	Holl et al.	D8/71
D575,610	S *	8/2008	Holl et al.	D8/71
D585,259	S *	1/2009	Holl et al.	D8/71
7,537,288	B2 *	5/2009	Chiang	299/102
D666,641	S *	9/2012	Buhr et al.	D15/140
D666,642	S *	9/2012	Buhr et al.	D15/140
D666,643	S *	9/2012	Buhr et al.	D15/140
D667,854	S *	9/2012	Kammerer et al.	D15/140
D667,856	S *	9/2012	Kammerer et al.	D15/140
D671,578	S *	11/2012	Buhr et al.	D15/140
2005/0127742	A1 *	6/2005	Erickson	299/106
2006/0119165	A1 *	6/2006	Holl et al.	299/106
2009/0289493	A1 *	11/2009	Holl et al.	299/102
2013/0052481	A1 *	2/2013	Konyashin et al.	428/679

* cited by examiner

Primary Examiner — Patricia Palasik

(74) *Attorney, Agent, or Firm* — Waddey & Patterson, P.C.;
Lucian Wayne Beavers

(57) **CLAIM**

What is claimed is the ornamental design for a chisel holder, as shown and described.

DESCRIPTION

FIG. 1 is an upper front perspective view of the chisel holder. FIG. 2 is a front elevation view of the chisel holder of FIG. 1. FIG. 3 is a rear elevation view of the chisel holder of FIG. 1. FIG. 4 is a top view of the chisel holder of FIG. 1. FIG. 5 is a bottom view of the chisel holder of FIG. 1. FIG. 6 is a left side elevation view of the chisel holder of FIG. 1; and, FIG. 7 is a right side elevation view of the chisel holder of FIG. 1.

1 Claim, 7 Drawing Sheets

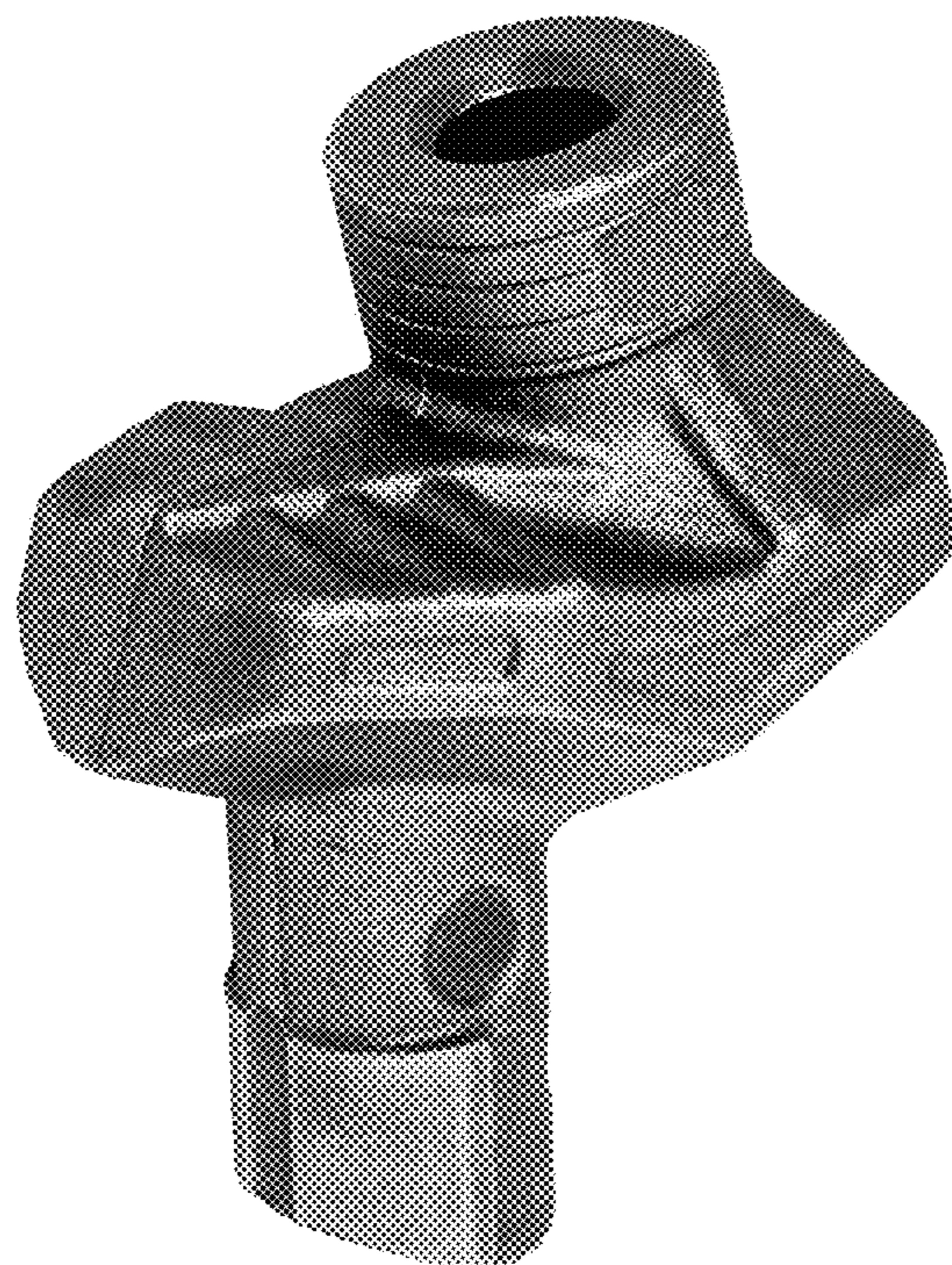




FIG. 1



FIG. 2



FIG. 3



FIG. 4



FIG. 5

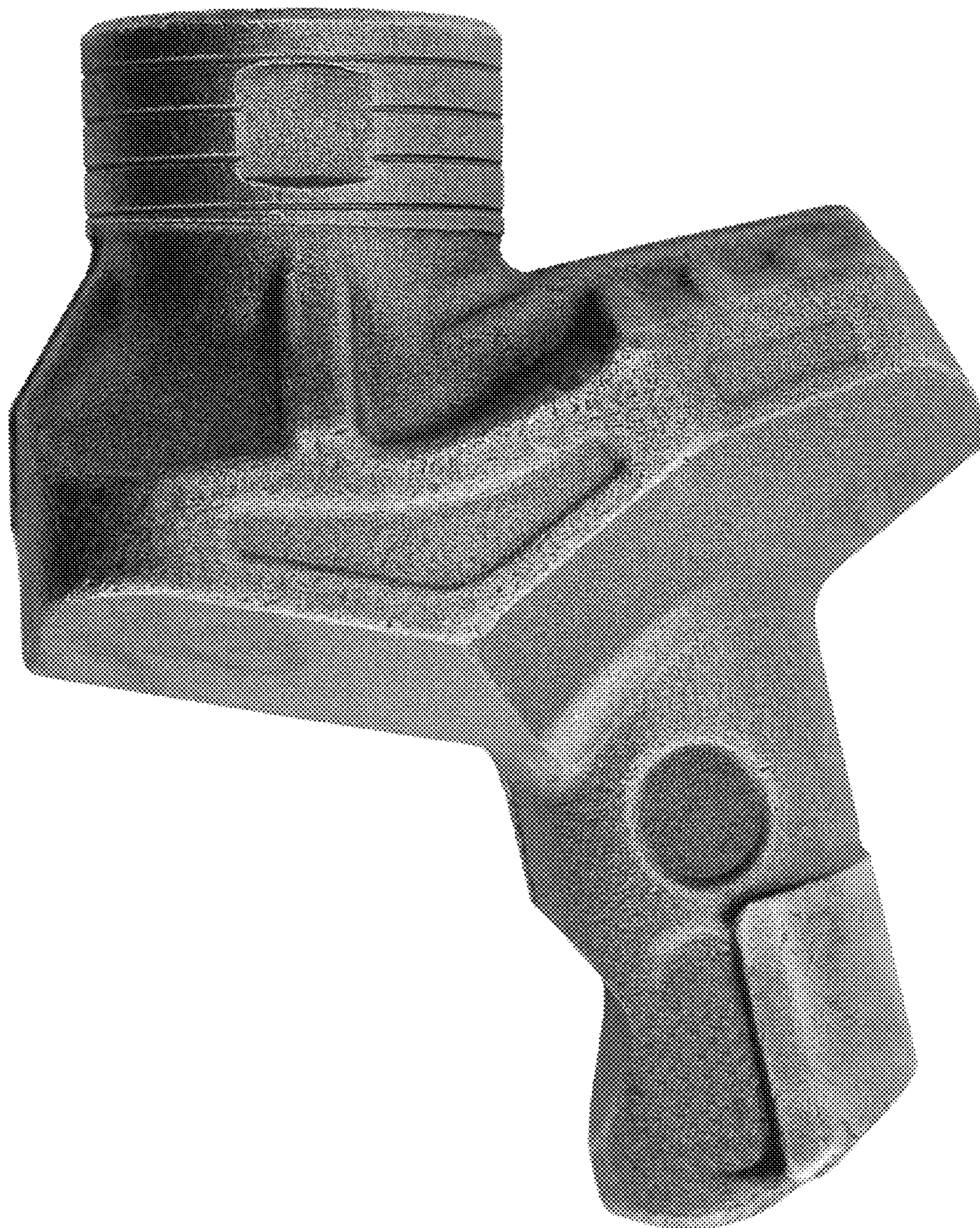


FIG. 6



FIG. 7