



US00D692039S

(12) **United States Design Patent**  
**Buhr et al.**

(10) **Patent No.:** **US D692,039 S**  
(45) **Date of Patent:** **\*\* Oct. 22, 2013**

(54) **CHISEL HOLDER**

(71) Applicant: **Wirtgen GmbH**, Windhagen (DE)

(72) Inventors: **Karsten Buhr**, Willroth (DE); **Thomas Lehnert**, Oberraden (DE); **Cyrus Barimani**, Königswinter (DE); **Günter Hähn**, Königswinter (DE)

(73) Assignee: **Wirtgen GmbH** (DE)

(\*\*) Term: **14 Years**

(21) Appl. No.: **29/452,137**

(22) Filed: **Apr. 12, 2013**

(51) **LOC (9) Cl.** ..... **15-09**

(52) **U.S. Cl.**  
USPC ..... **D15/140; D8/71**

(58) **Field of Classification Search**  
USPC ..... D8/70-74; D15/131, 132, 138, 139,  
D15/140; 206/349; 209/106; 299/102-103,  
299/105, 106-110; 408/204; 411/82.2,  
411/82.5, 257, 258, 901-903, 914, 916, 930  
See application file for complete search history.

(56) **References Cited**

**U.S. PATENT DOCUMENTS**

4,489,986	A *	12/1984	Dziak	.....	299/104
6,244,665	B1 *	6/2001	Bise et al.	.....	299/106
6,481,803	B2 *	11/2002	Ritchey	.....	299/79.1
6,962,395	B2 *	11/2005	Mouthaan	.....	299/104
7,300,115	B2 *	11/2007	Holl et al.	.....	299/106
D567,270	S *	4/2008	Chiang	.....	D15/140
D574,689	S *	8/2008	Holl et al.	.....	D8/71

D575,610	S *	8/2008	Holl et al.	.....	D8/71
D585,259	S *	1/2009	Holl et al.	.....	D8/71
7,537,288	B2 *	5/2009	Chiang	.....	299/102
D666,641	S *	9/2012	Buhr et al.	.....	D15/140
D666,642	S *	9/2012	Buhr et al.	.....	D15/140
D666,643	S *	9/2012	Buhr et al.	.....	D15/140
D667,854	S *	9/2012	Kammerer et al.	.....	D15/140
D667,856	S *	9/2012	Kammerer et al.	.....	D15/140
D671,578	S *	11/2012	Buhr et al.	.....	D15/140
2005/0127742	A1 *	6/2005	Erickson	.....	299/106
2006/0119165	A1 *	6/2006	Holl et al.	.....	299/106
2009/0289493	A1 *	11/2009	Holl et al.	.....	299/102
2013/0052481	A1 *	2/2013	Konyashin et al.	.....	428/679

\* cited by examiner

*Primary Examiner* — Patricia Palasik

(74) *Attorney, Agent, or Firm* — Waddey & Patterson, P.C.;  
Lucian Wayne Beavers

(57) **CLAIM**

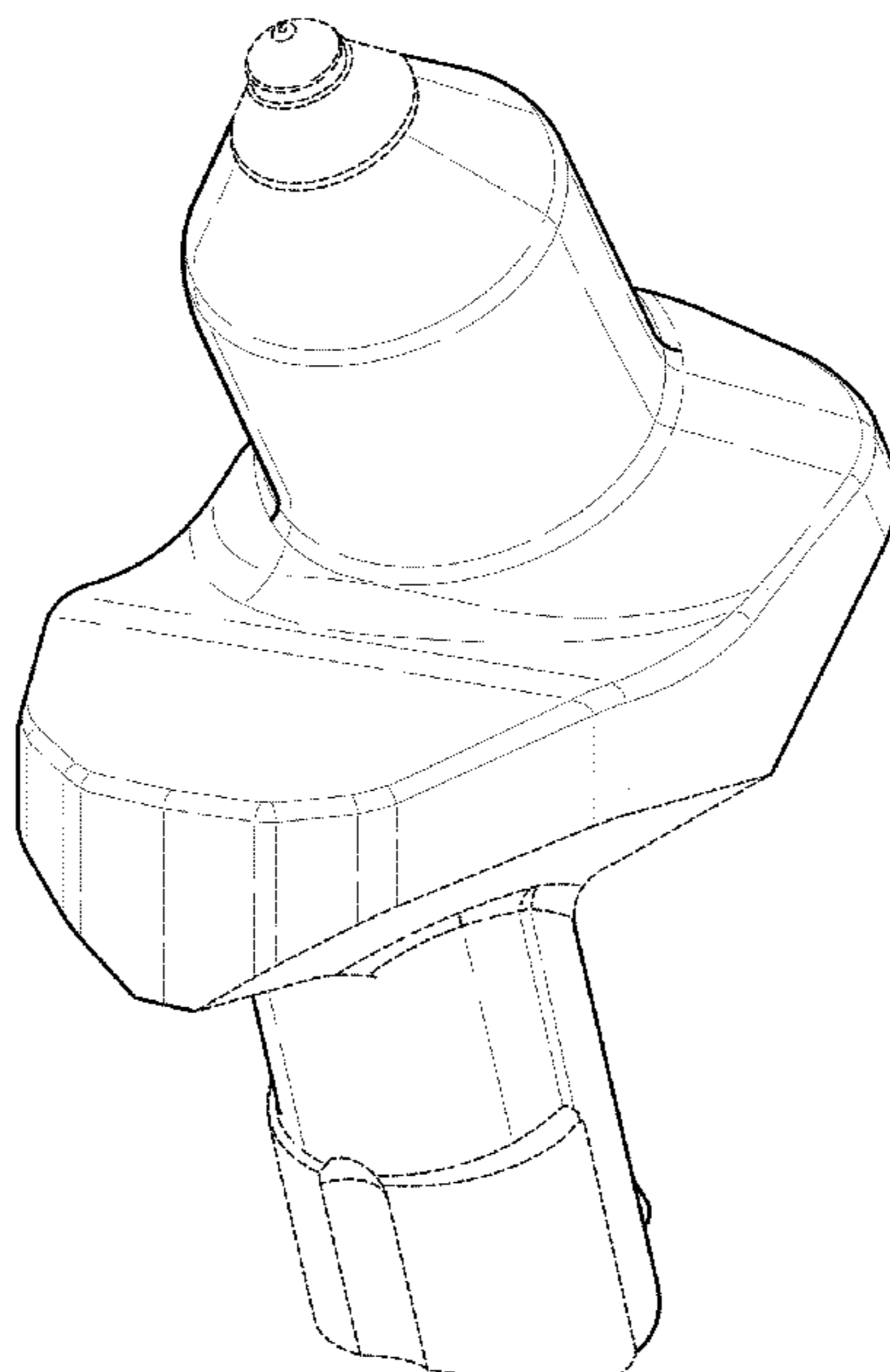
What is claimed is the ornamental design for a chisel holder,  
as shown and described.

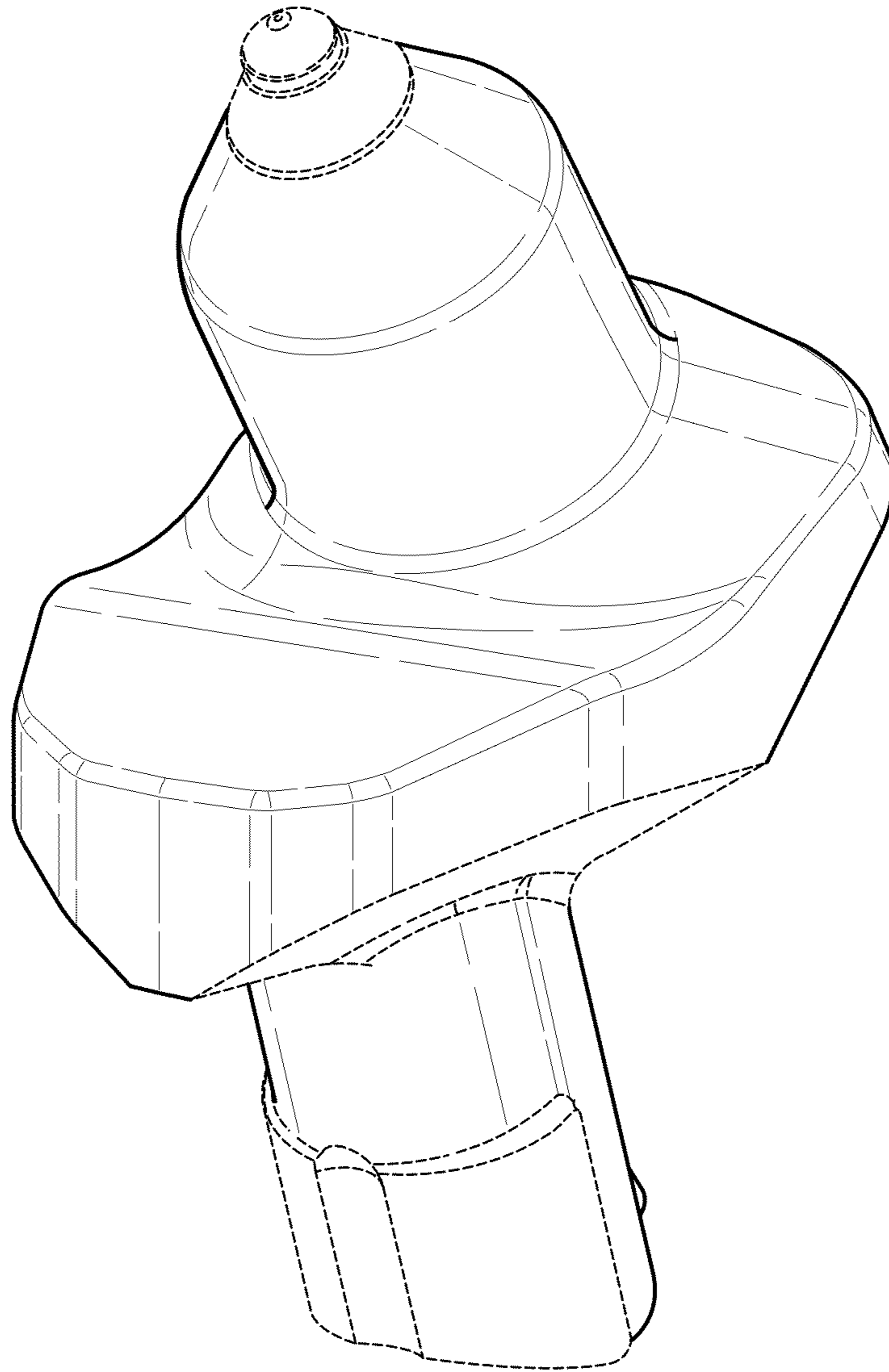
**DESCRIPTION**

FIG. 1 is an upper front perspective view of the chisel holder.  
FIG. 2 is a front elevation view of the chisel holder of FIG. 1.  
FIG. 3 is a rear elevation view of the chisel holder of FIG. 1.  
FIG. 4 is a top view of the chisel holder of FIG. 1.  
FIG. 5 is a left side elevation view of the chisel holder of FIG.  
1; and,  
FIG. 6 is a right side elevation view of the chisel holder of  
FIG. 1.

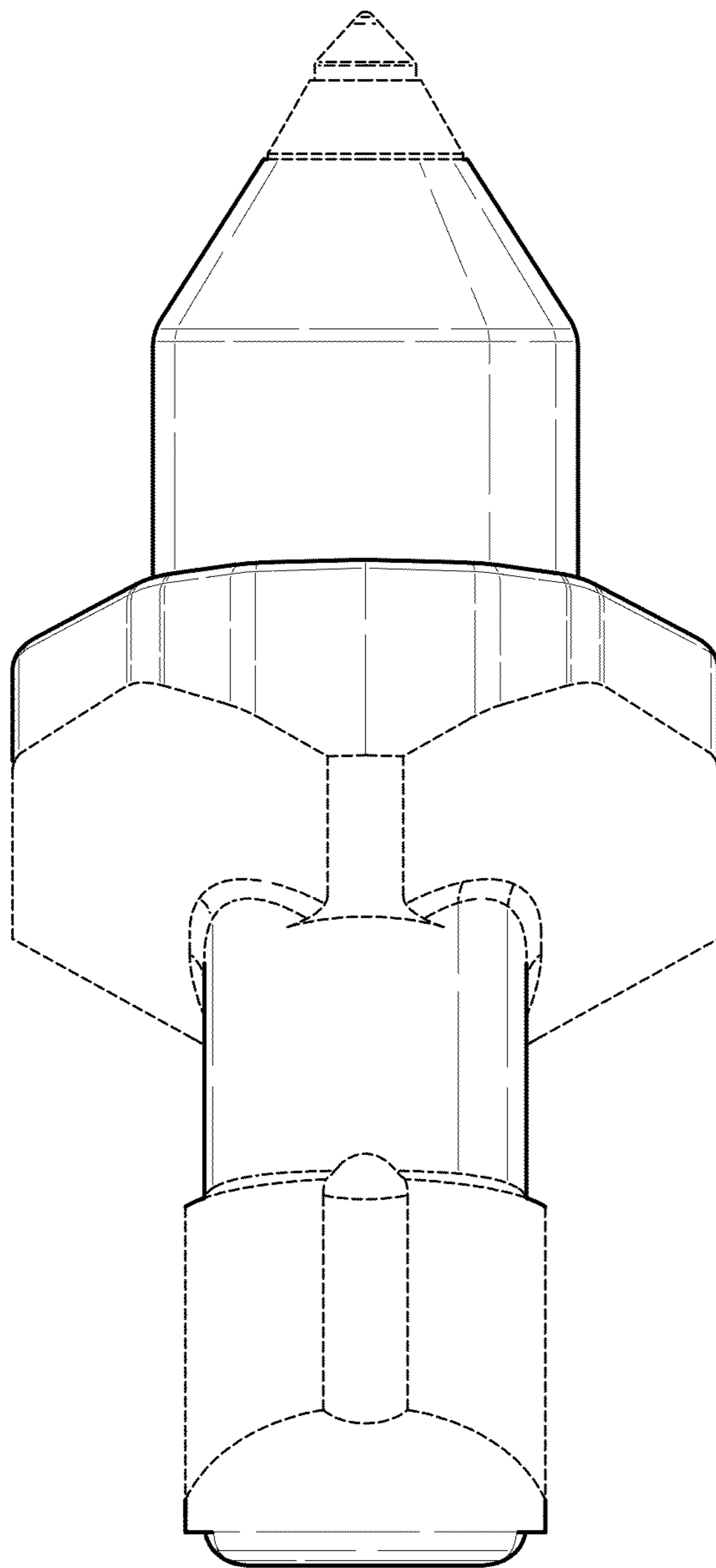
The dashed lines are shown for environmental purposes only  
and form no part of the claimed design.

**1 Claim, 6 Drawing Sheets**

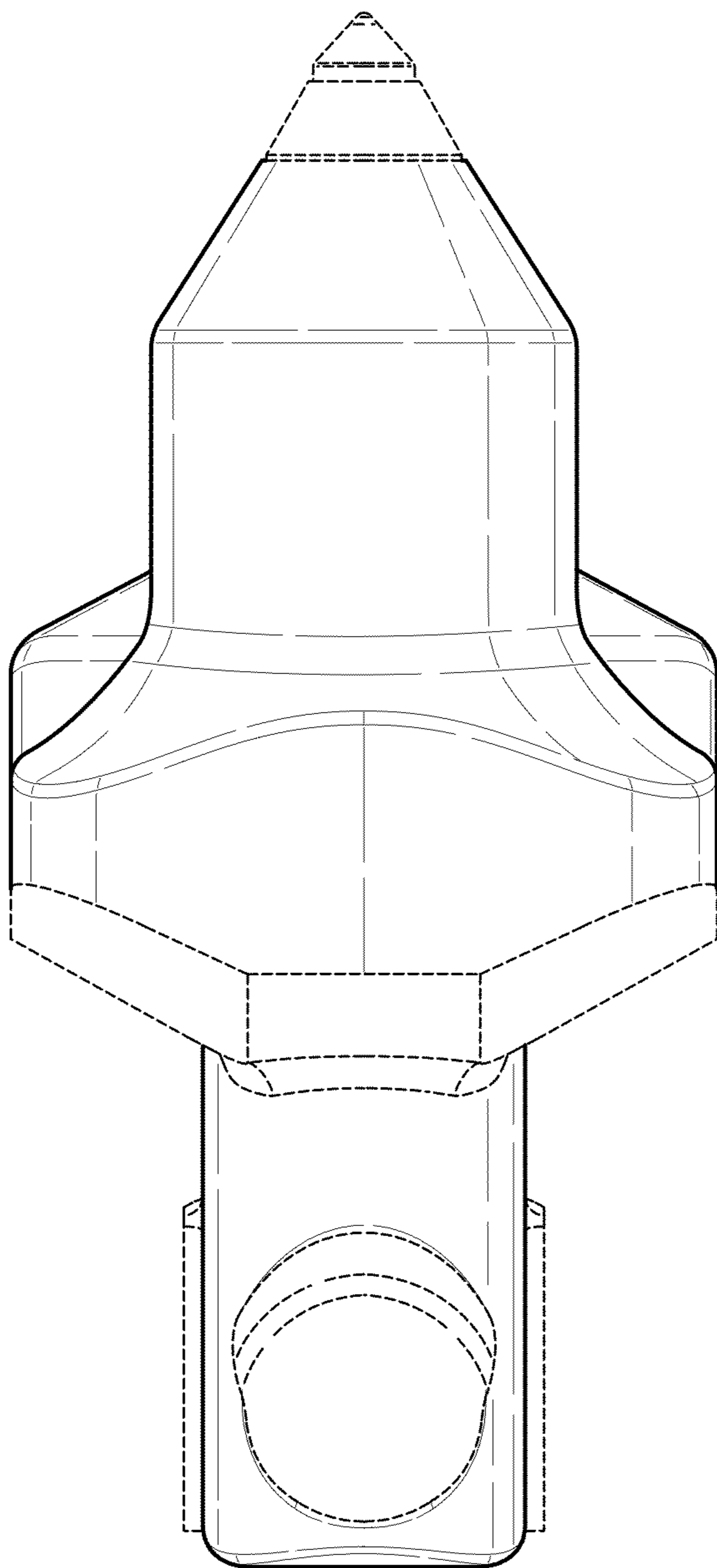




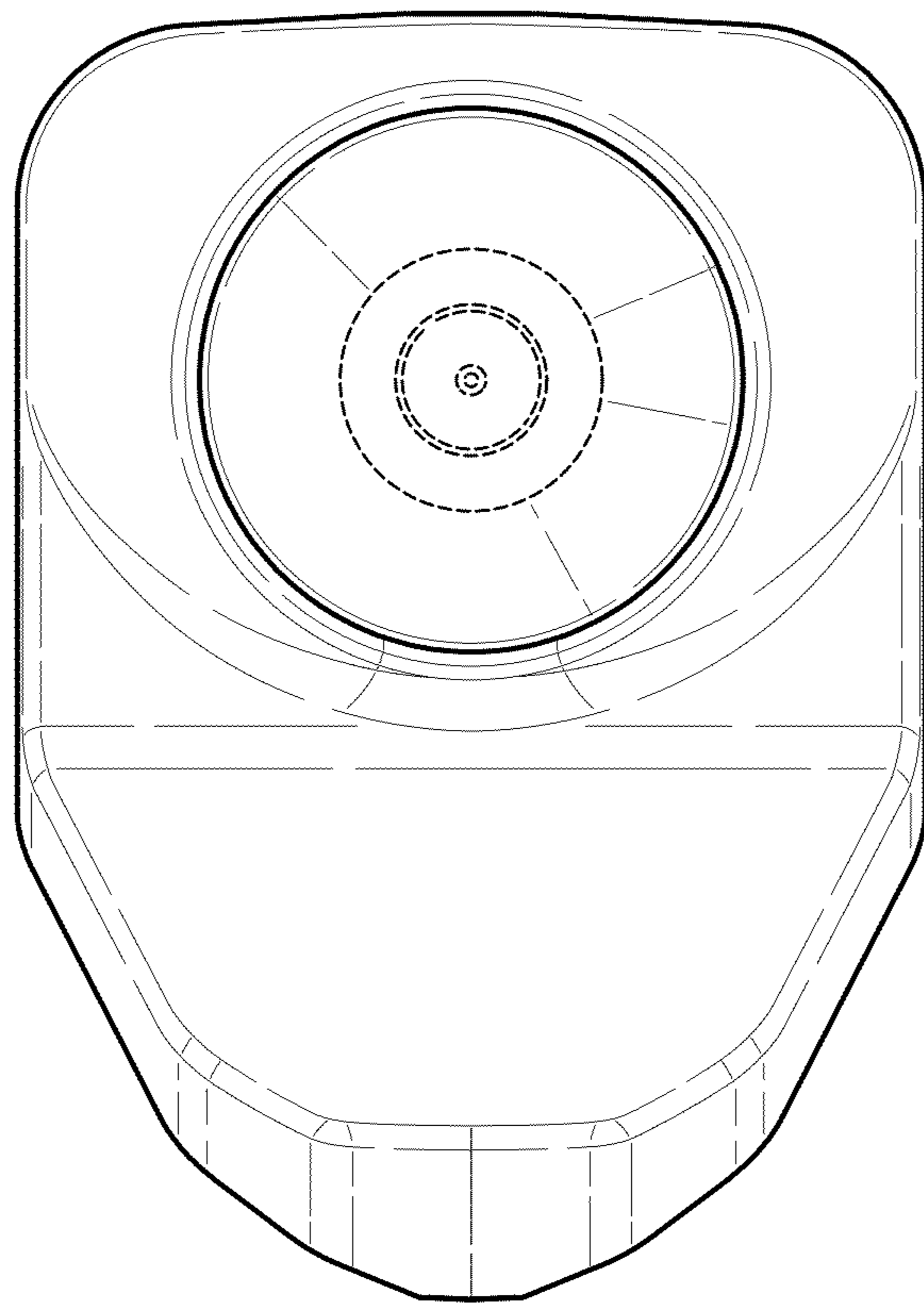
*FIG. 1*



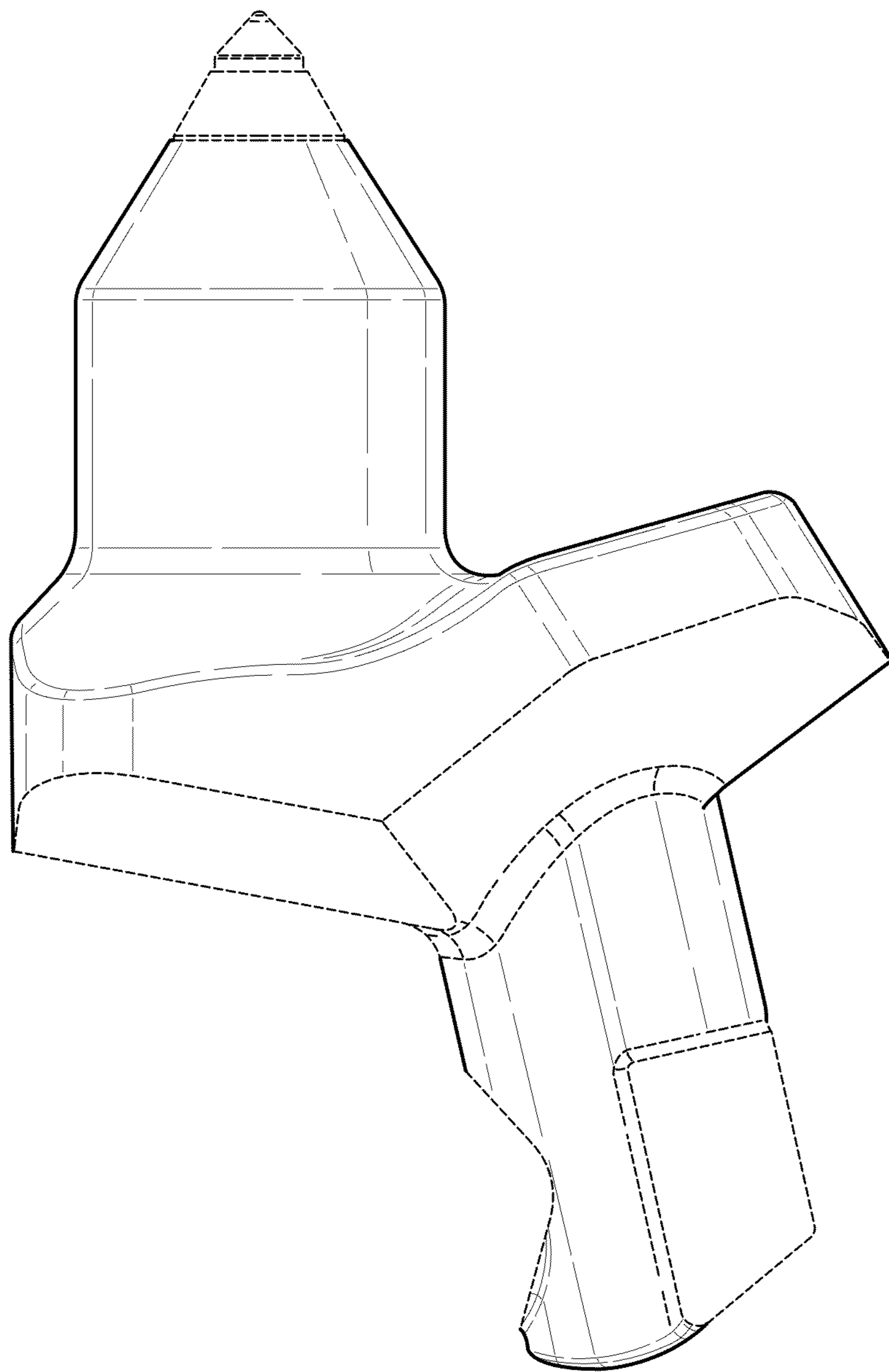
*FIG. 2*



*FIG. 3*

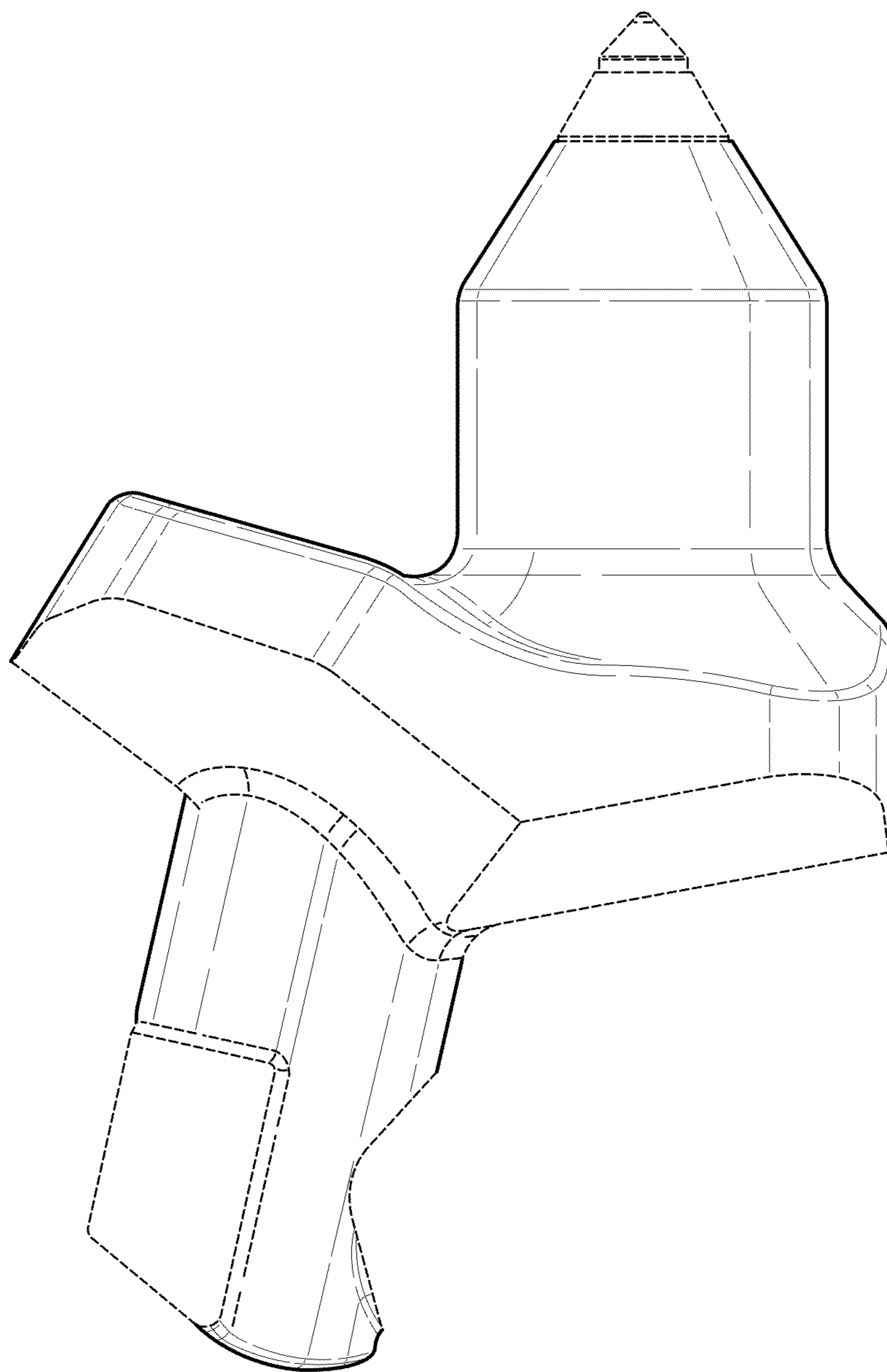


*FIG. 4*



***FIG. 5***





**FIG. 6**