



US00D692036S

(12) **United States Design Patent**  
**Schleicher et al.**

(10) **Patent No.:** **US D692,036 S**

(45) **Date of Patent:** **\*\* Oct. 22, 2013**

(54) **CUTTING INSERT**

(75) Inventors: **Sebastian Schleicher**, Fuerth (DE);  
**Andreas Wuerfels**, Cologne (DE)

(73) Assignee: **Kennametal Inc.**, Latrobe, PA (US)

(\*\*) Term: **14 Years**

(21) Appl. No.: **29/387,640**

(22) Filed: **Mar. 16, 2011**

(51) **LOC (9) Cl.** ..... **15-09**

(52) **U.S. Cl.**  
USPC ..... **D15/139**

(58) **Field of Classification Search**  
USPC ..... D8/70, 71; D15/138, 139, 140; 407/42,  
407/112-119  
See application file for complete search history.

(56) **References Cited**

**U.S. PATENT DOCUMENTS**

4,776,732	A *	10/1988	Hale	.....	407/114
5,226,761	A *	7/1993	Satran et al.	.....	407/114
5,525,016	A *	6/1996	Paya et al.	.....	407/116
5,738,468	A *	4/1998	Boianjiu	.....	407/103
D426,245	S *	6/2000	Bernadic et al.	.....	D15/139
D429,261	S *	8/2000	Hartlohner et al.	.....	D15/139
6,224,300	B1 *	5/2001	Baxivanelis et al.	.....	407/114

D481,048	S *	10/2003	Brockett et al.	.....	D15/139
D635,598	S *	4/2011	Widin et al.	.....	D15/139
2007/0041798	A1 *	2/2007	Nasu et al.	.....	407/114
2007/0071559	A1 *	3/2007	Koskinen	.....	407/34
2008/0044241	A1 *	2/2008	Koskinen	.....	407/103
2009/0290945	A1 *	11/2009	Carl	.....	407/113
2010/0034602	A1 *	2/2010	Sung et al.	.....	407/113

\* cited by examiner

*Primary Examiner* — Patricia Palasik

(74) *Attorney, Agent, or Firm* — Larry R. Meenan, Esq.

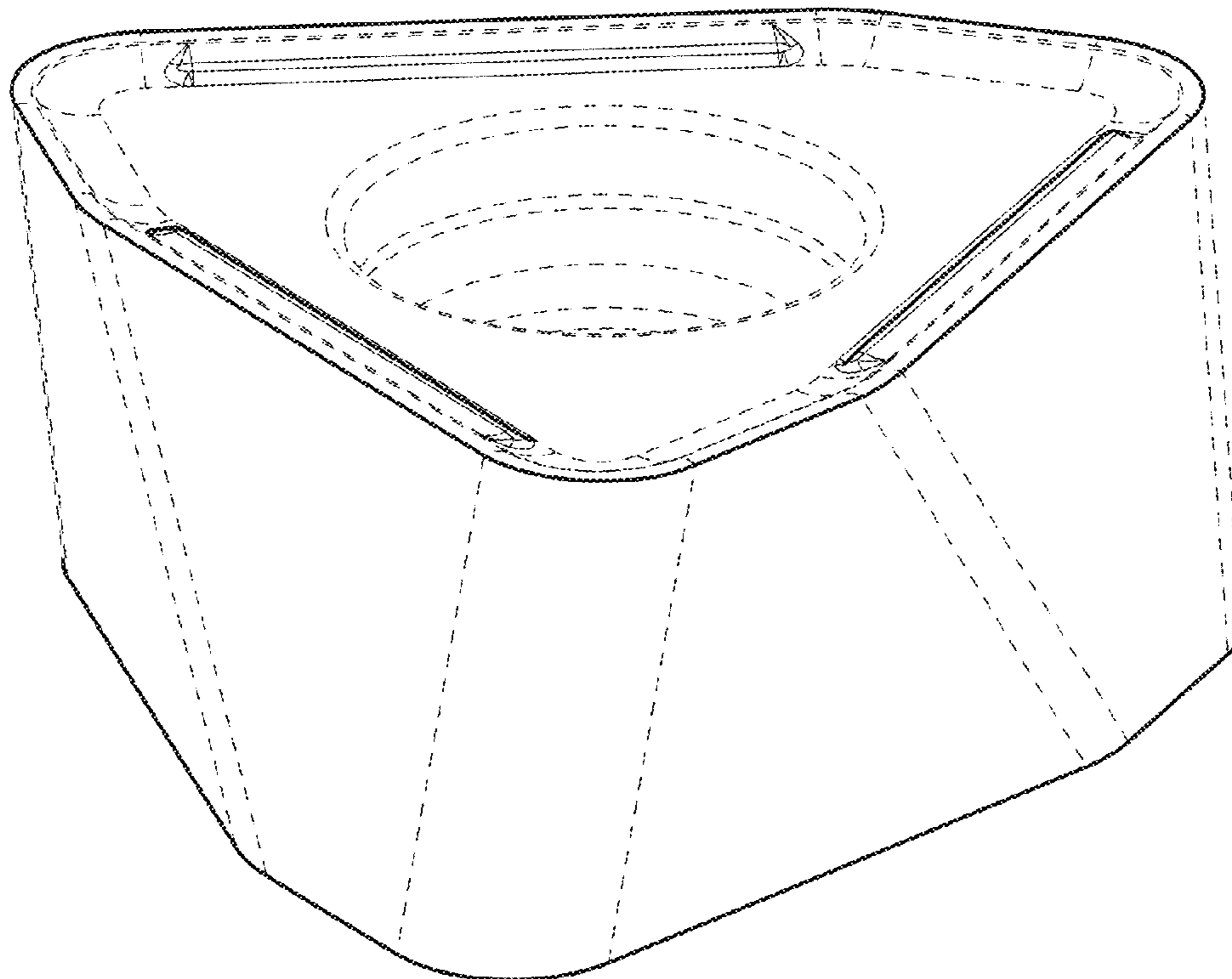
(57) **CLAIM**

We claim the ornamental design for a cutting insert, as shown and described.

**DESCRIPTION**

FIG. 1 is an isometric view from above of a cutting insert showing my new design;  
FIG. 2 is a top plan view of the cutting insert of FIG. 1;  
FIG. 3 is a bottom plan view of the cutting insert of FIG. 1;  
FIG. 4 is a front view of the cutting insert of FIG. 1;  
FIG. 5 is a rear view of the cutting insert of FIG. 1;  
FIG. 6 is a right side view of the cutting insert of FIG. 1; and,  
FIG. 7 is a left side view of the cutting insert of FIG. 1.  
The broken line showings of FIGS. 1-7 are included for the purposes of illustrating portions of the cutting insert and form no part of the claimed design.

**1 Claim, 5 Drawing Sheets**



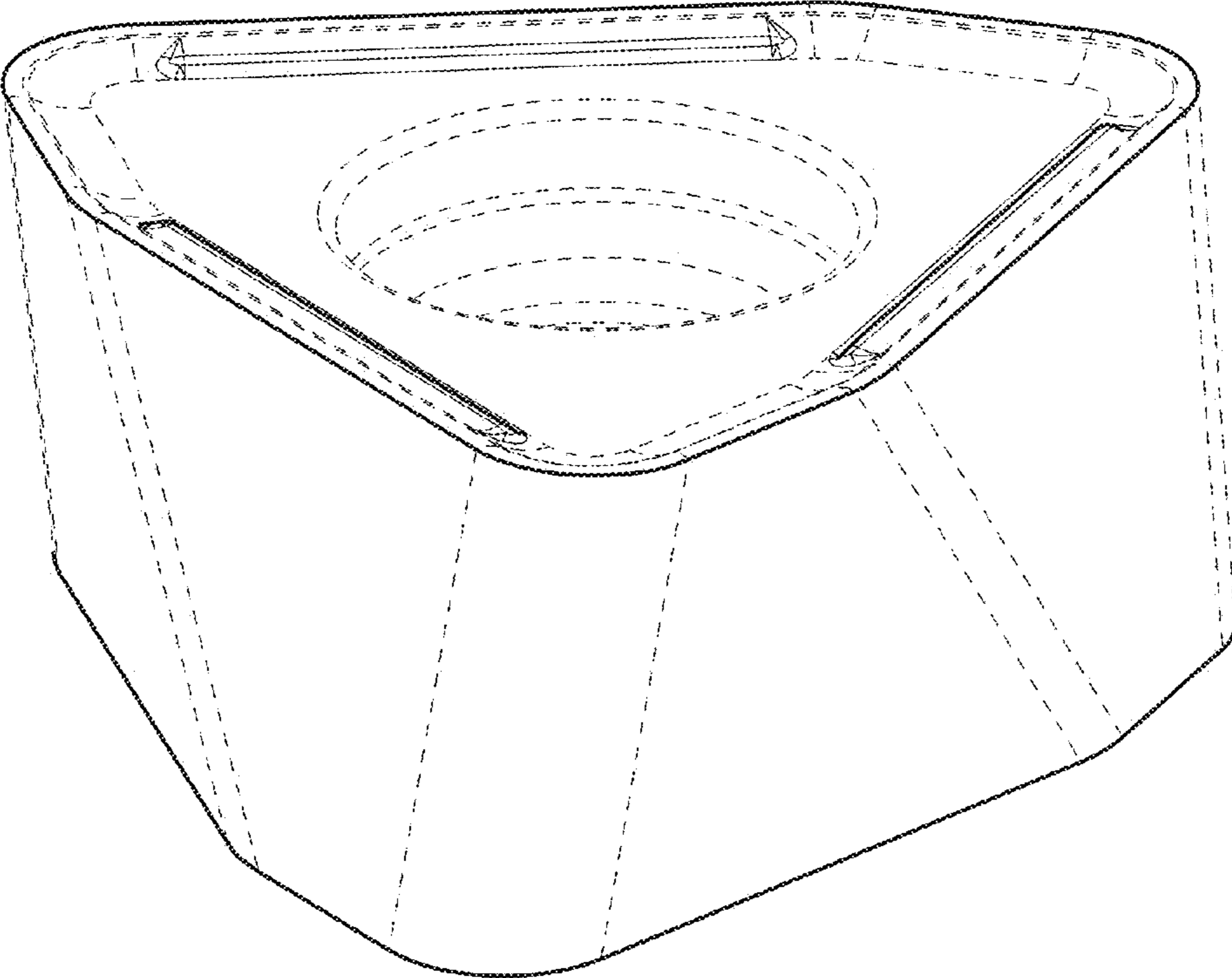


FIG. 1

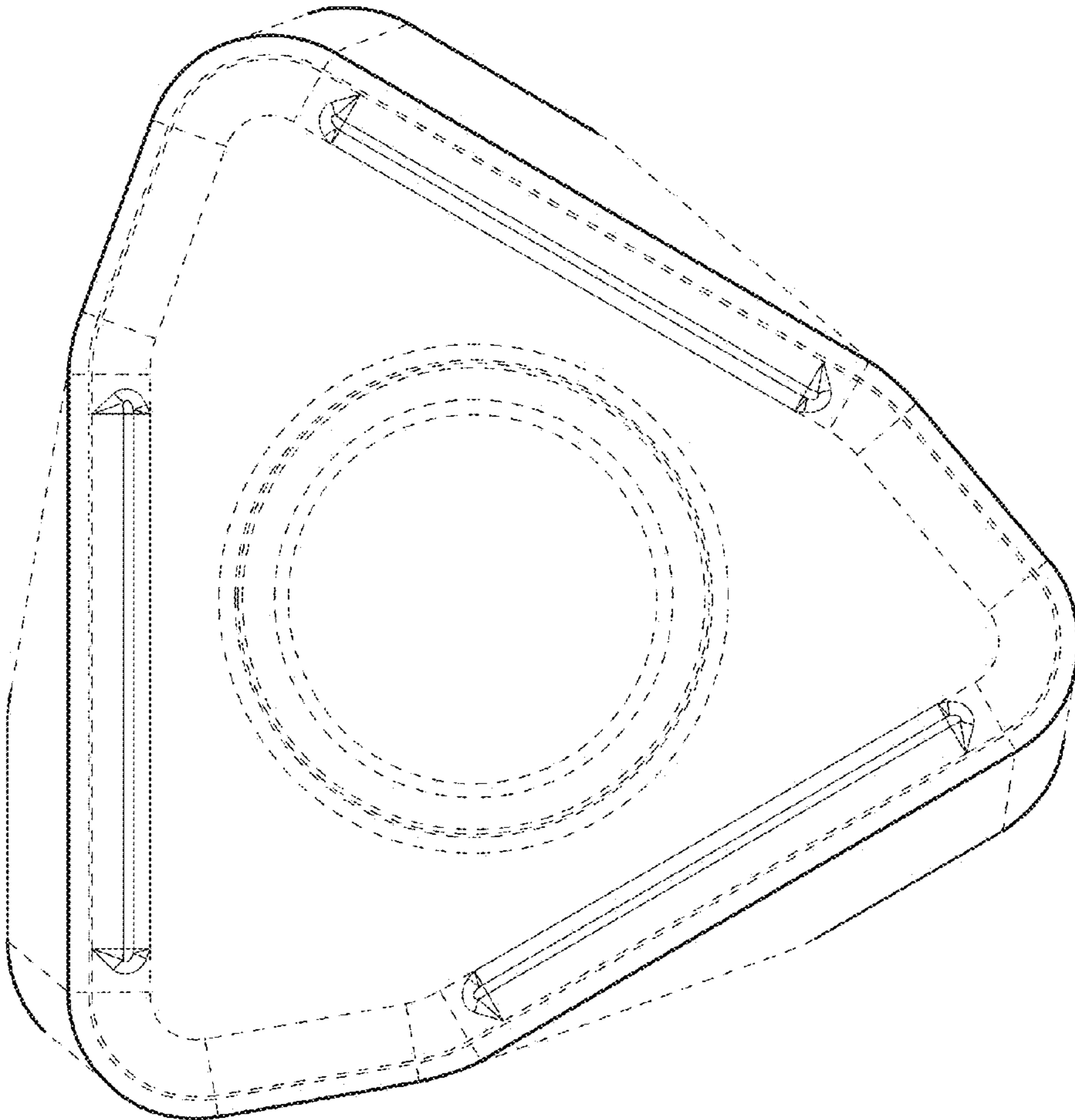


FIG. 2

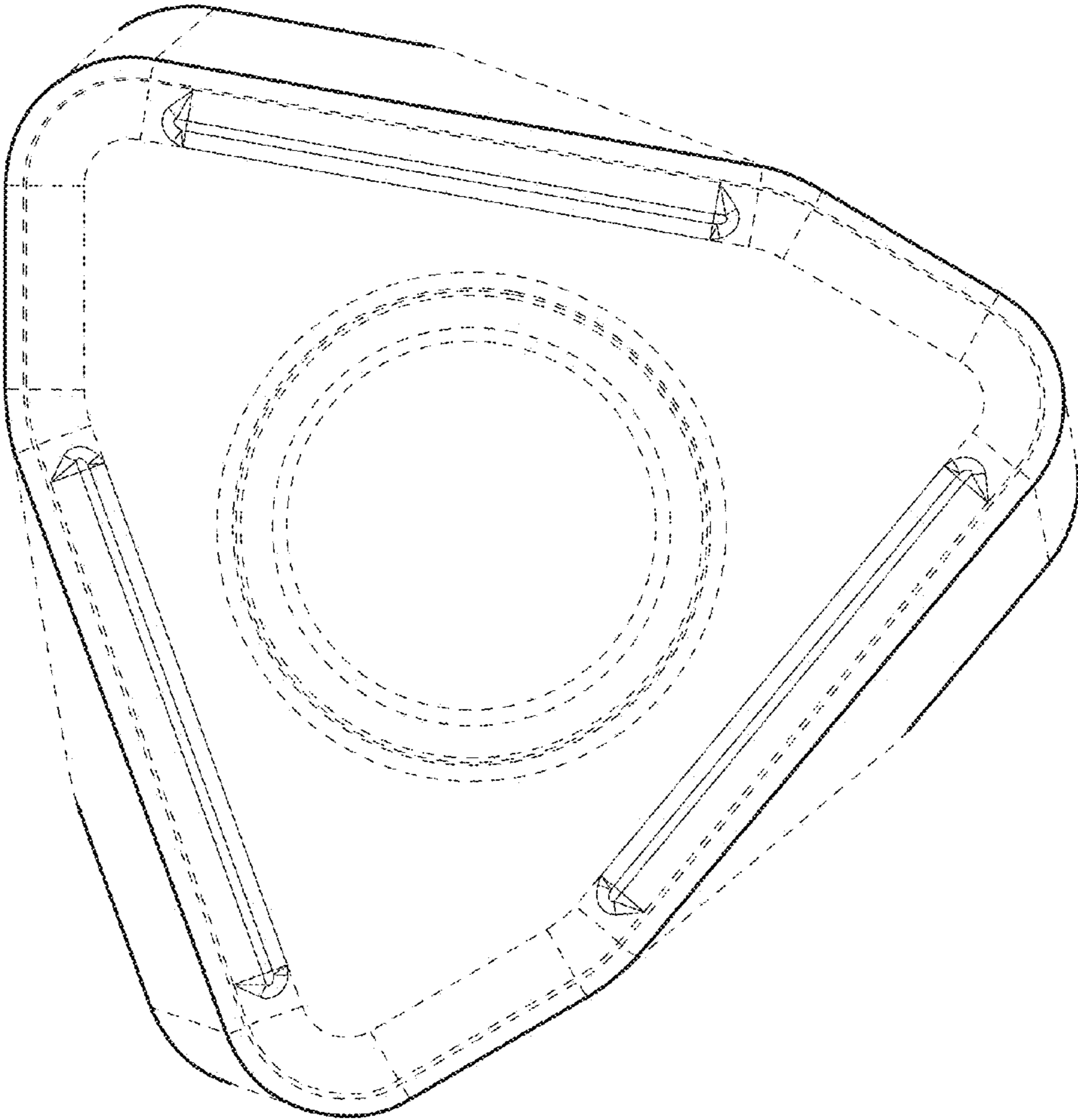


FIG. 3

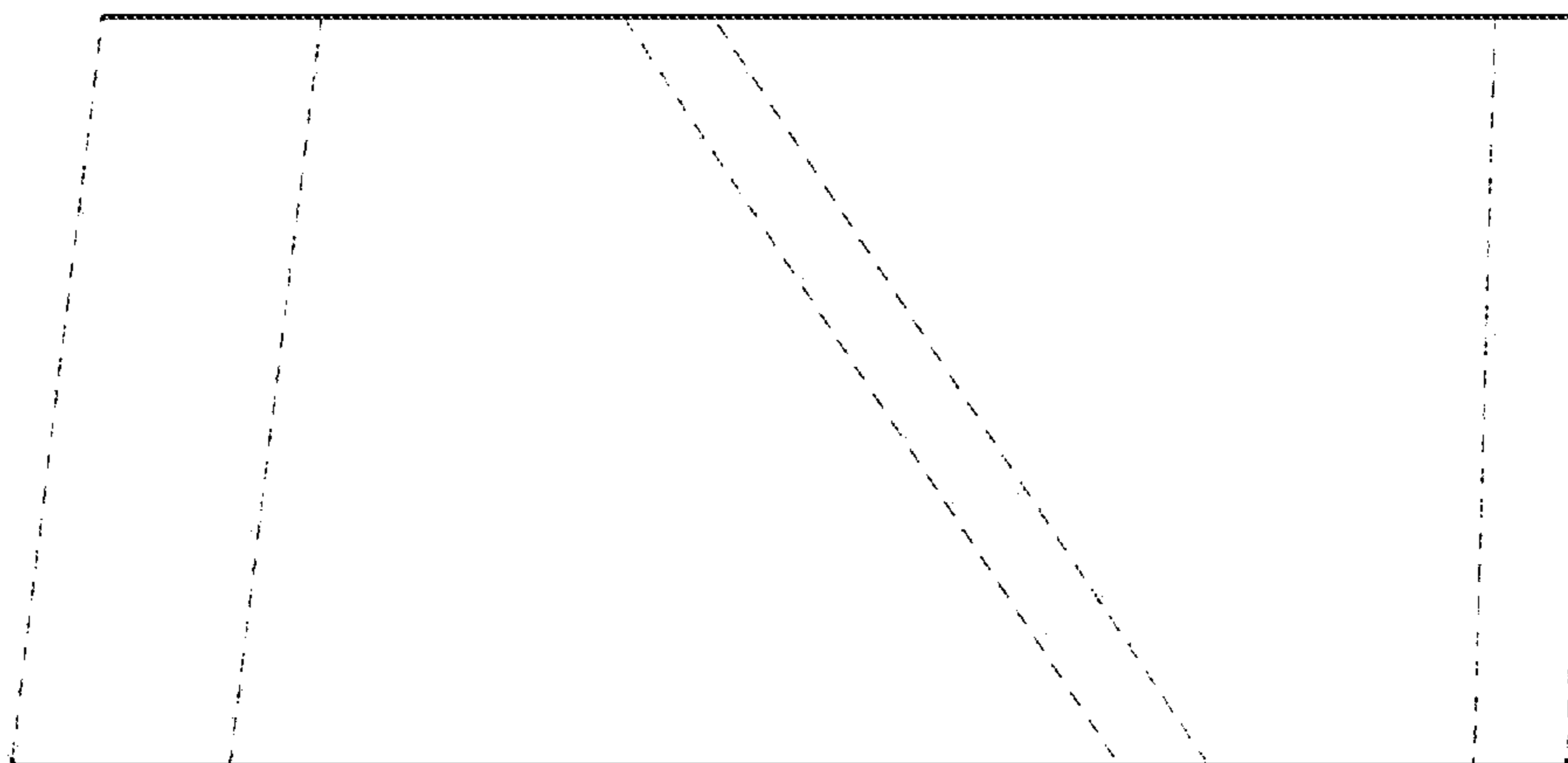


FIG. 4

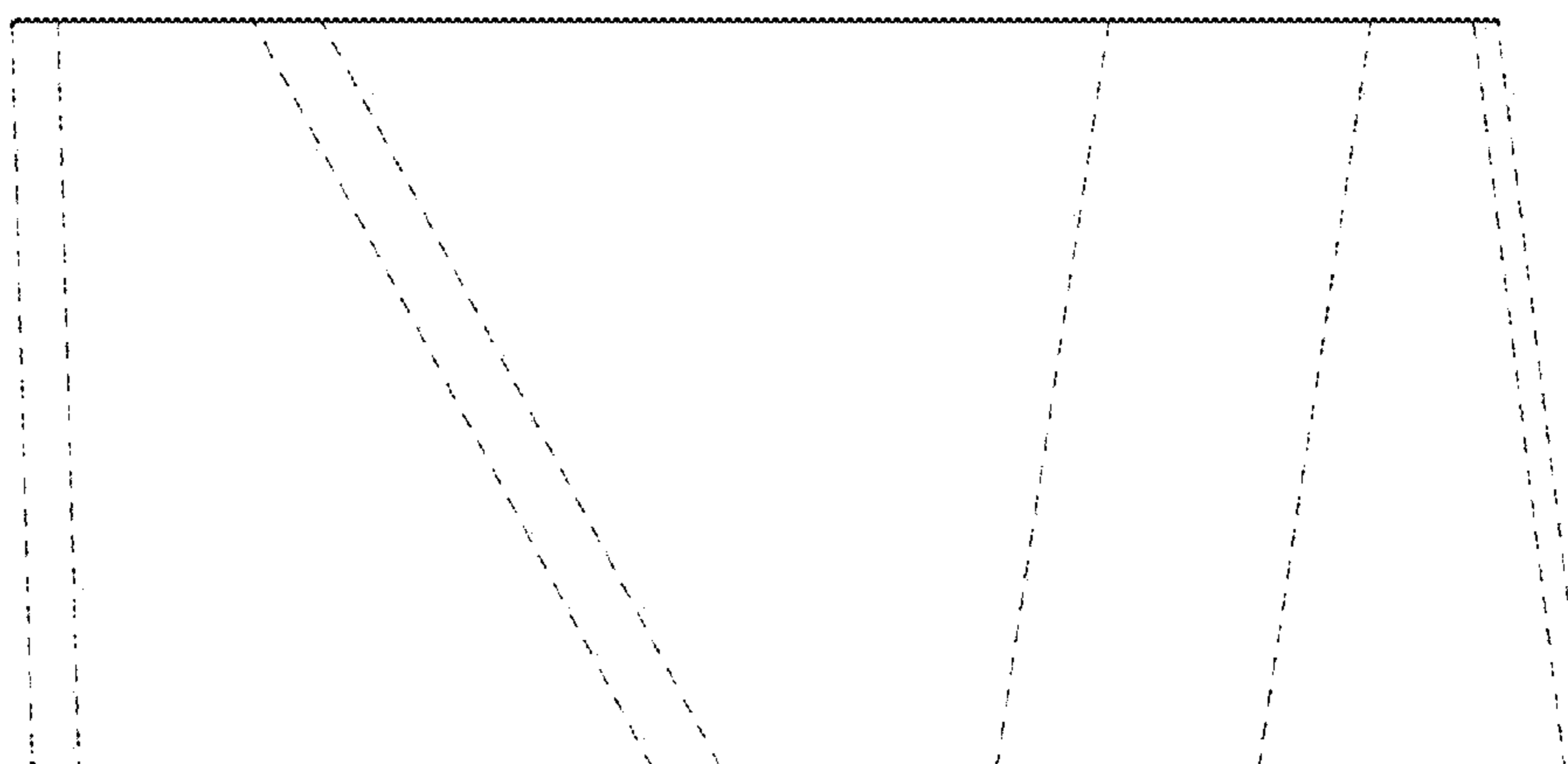


FIG. 5

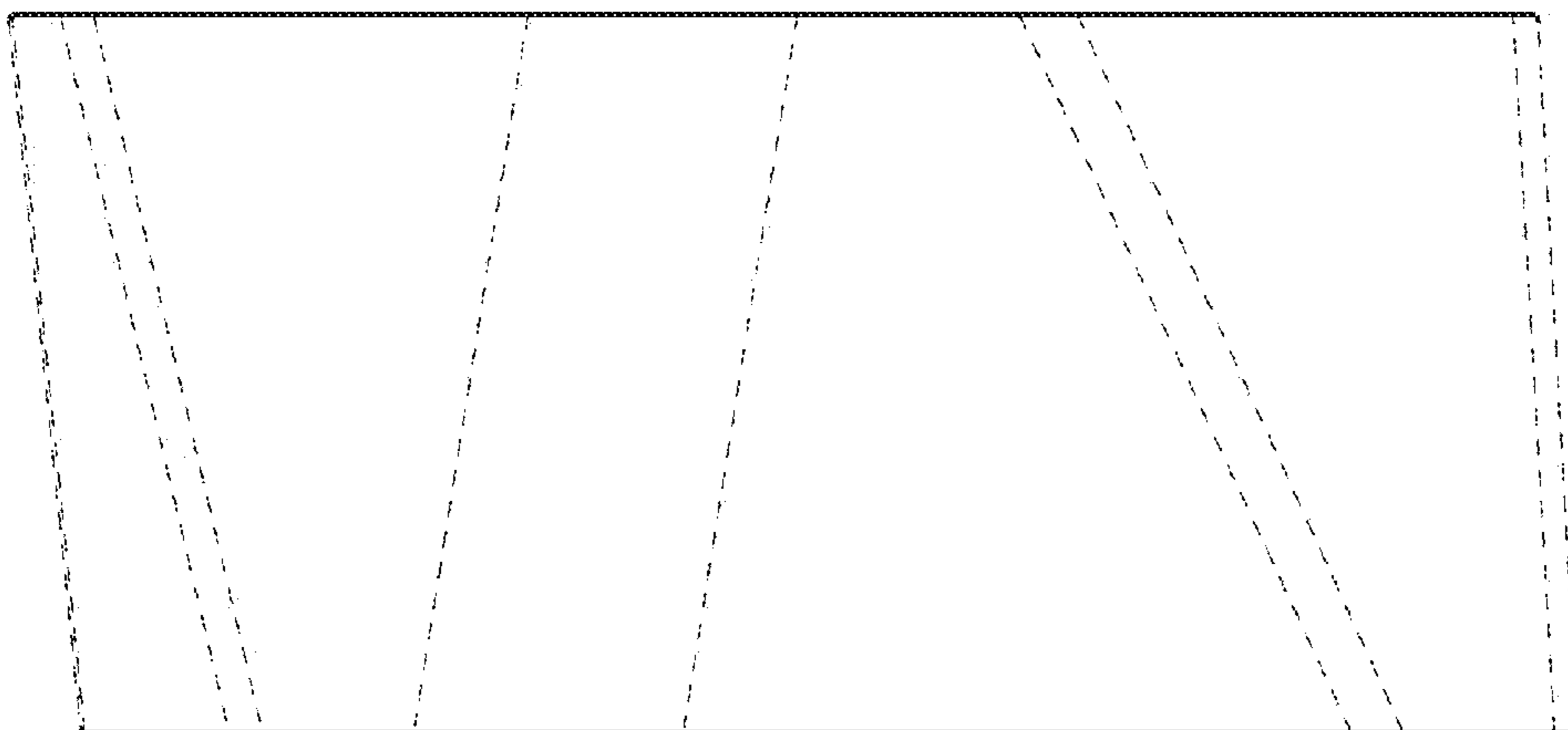


FIG. 6

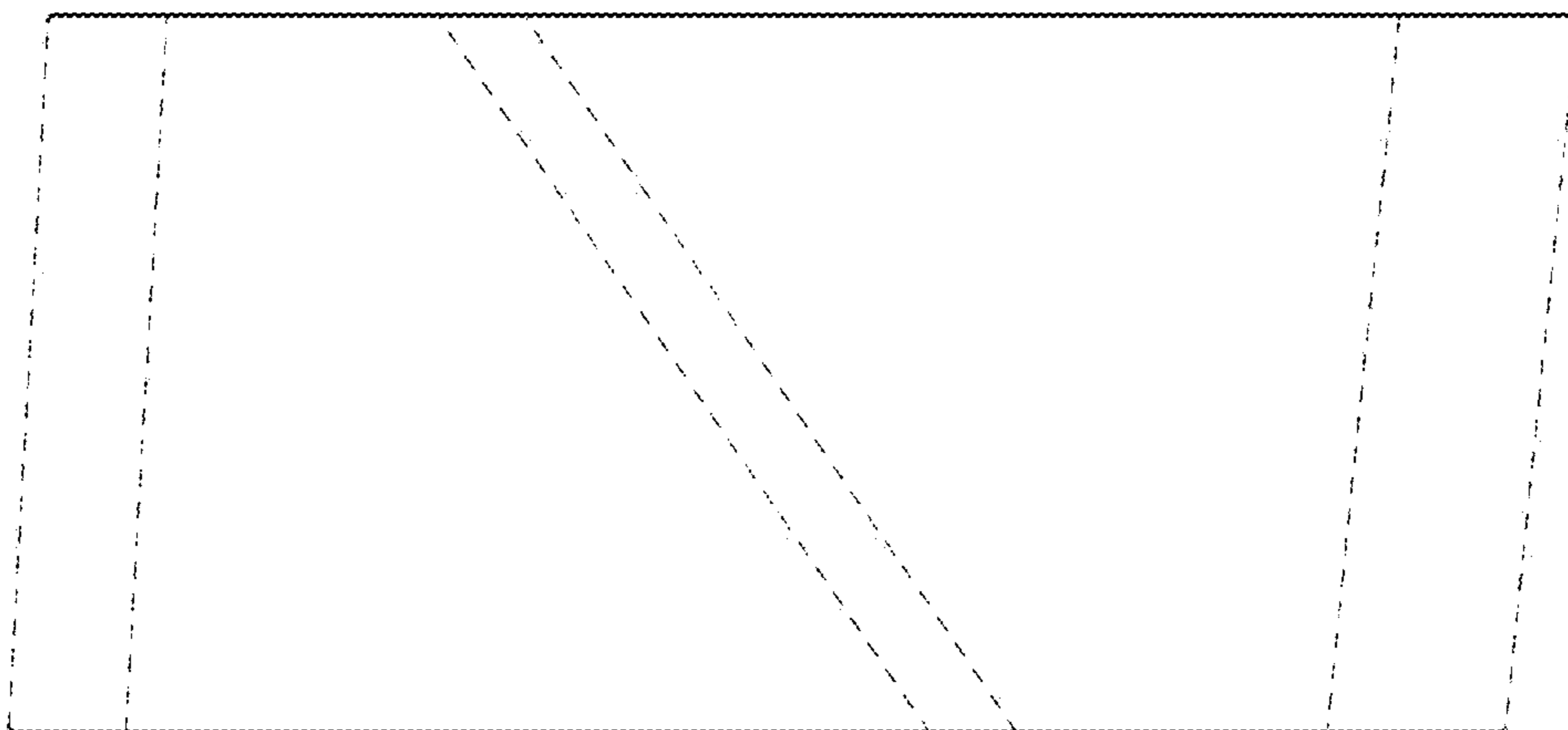


FIG. 7