

US00D692034S

(12) **United States Design Patent**
Seo et al.

(10) **Patent No.:** **US D692,034 S**
(45) **Date of Patent:** **** Oct. 22, 2013**

(54) **DOOR BASKET FOR REFRIGERATORS**

(75) Inventors: **Woon Kyu Seo**, Seoul (KR); **Jung Yeon Hwang**, Seoul (KR); **Seon Kyu Kim**, Seoul (KR); **Seung Jin Yoon**, Gyeonggi-do (KR); **Dae Sung Lee**, Gyeonggi-do (KR)

(73) Assignee: **LG Electronics Inc.**, Seoul (KR)

(**) Term: **14 Years**

(21) Appl. No.: **29/429,037**

(22) Filed: **Aug. 7, 2012**

(30) **Foreign Application Priority Data**

Feb. 8, 2012 (KR) 30-2012-0005795

(51) **LOC (9) Cl.** **15-07**

(52) **U.S. Cl.**
USPC **D15/89**

(58) **Field of Classification Search**
USPC D15/79-89, 91; 62/3.6, 125, 126, 187,
62/246-255; 312/116, 138.1, 236, 321.5,
312/330.1, 400-409
See application file for complete search history.

(56) **References Cited**

U.S. PATENT DOCUMENTS

D344,739 S * 3/1994 Edman et al. D15/89
5,346,299 A * 9/1994 Werkmeister et al. 312/405.1

5,370,455 A * 12/1994 Sedovic et al. 312/405.1
5,375,924 A * 12/1994 Pohl et al. 312/405.1
D490,091 S * 5/2004 Quinlan D15/89
D511,177 S * 11/2005 Jackovin et al. D15/89
D511,179 S * 11/2005 Tunzi D15/89
7,293,846 B2 * 11/2007 Collins et al. 312/405.1
D590,424 S * 4/2009 Baacke et al. D15/89
D591,315 S * 4/2009 Baacke et al. D15/89
D669,506 S * 10/2012 Czach et al. D15/89
D681,697 S * 5/2013 Meda et al. D15/89

* cited by examiner

Primary Examiner — Mitchell Siegel

(74) *Attorney, Agent, or Firm* — Birch, Stewart, Kolasch & Birch, LLP

(57) **CLAIM**

We claim the ornamental design for a door basket for refrigerators, as shown and described.

DESCRIPTION

FIG. 1 is a perspective view of a door basket for refrigerators showing our new design;
FIG. 2 is a front elevation view thereof;
FIG. 3 is a rear elevation view thereof;
FIG. 4 is a left-side elevation view thereof;
FIG. 5 is a right-side elevation view thereof;
FIG. 6 is a top plan view thereof; and,
FIG. 7 is a bottom plan view thereof.

1 Claim, 4 Drawing Sheets

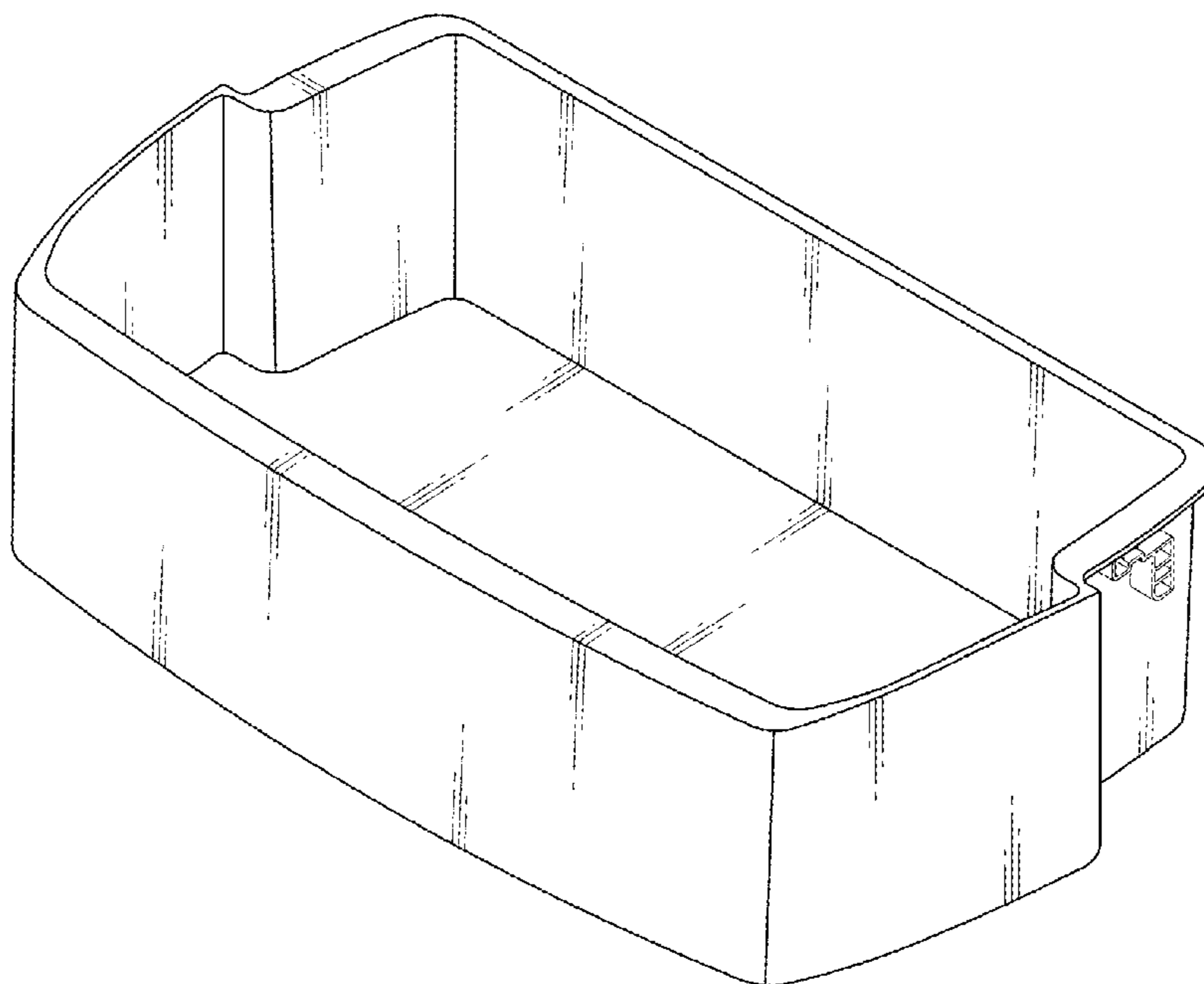


FIG. 1

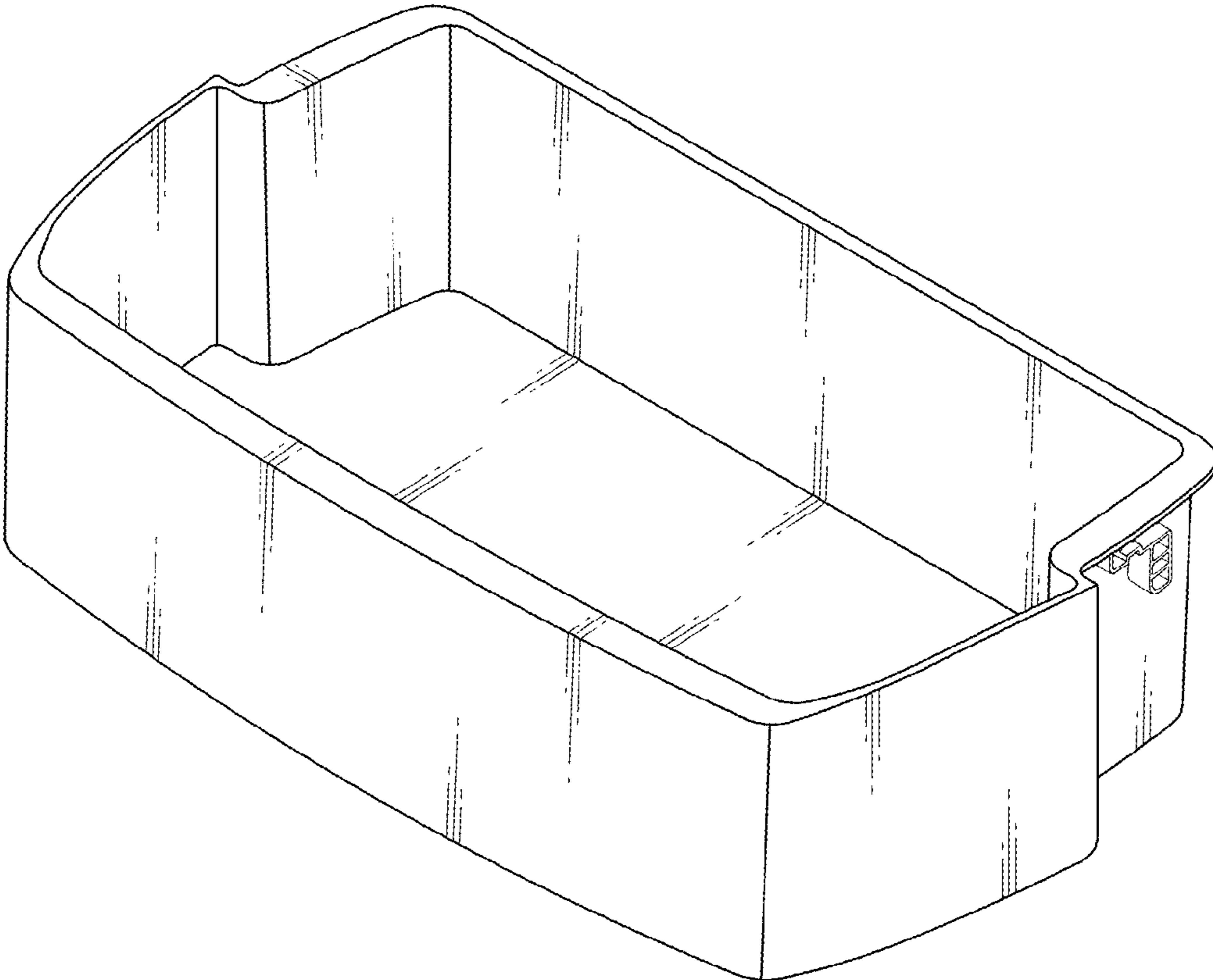


FIG. 2

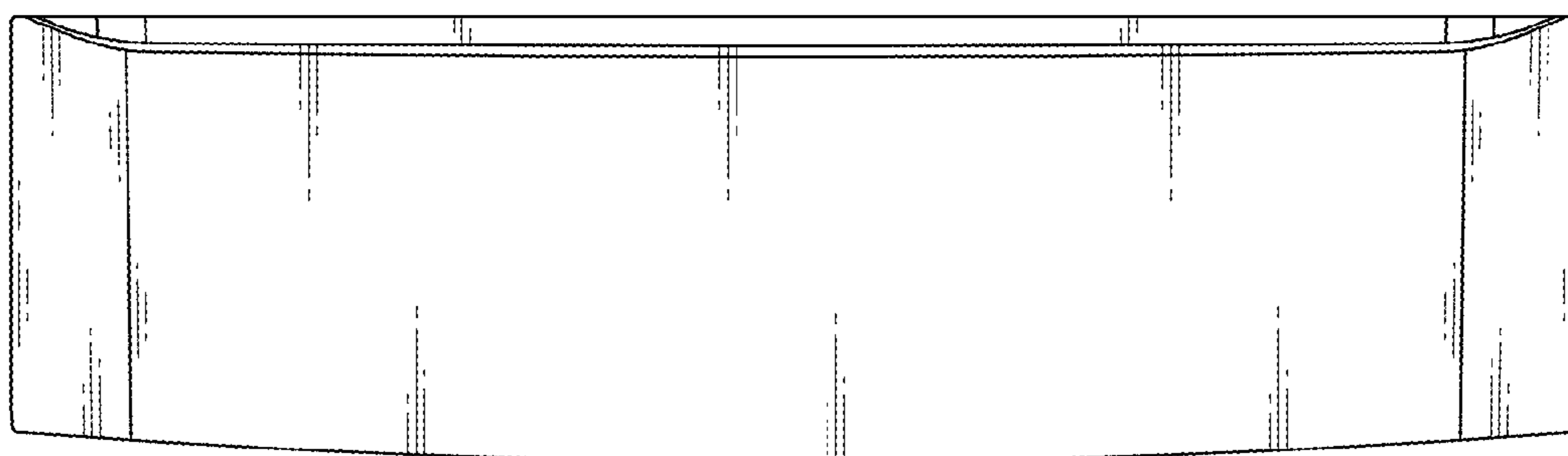


FIG. 3

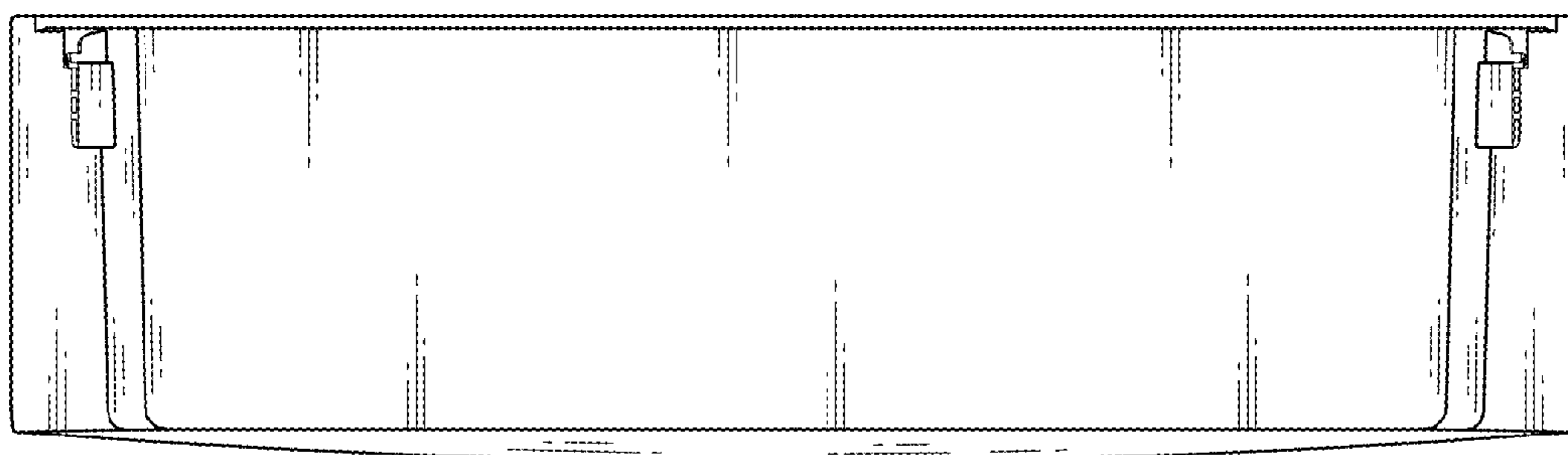


FIG.4

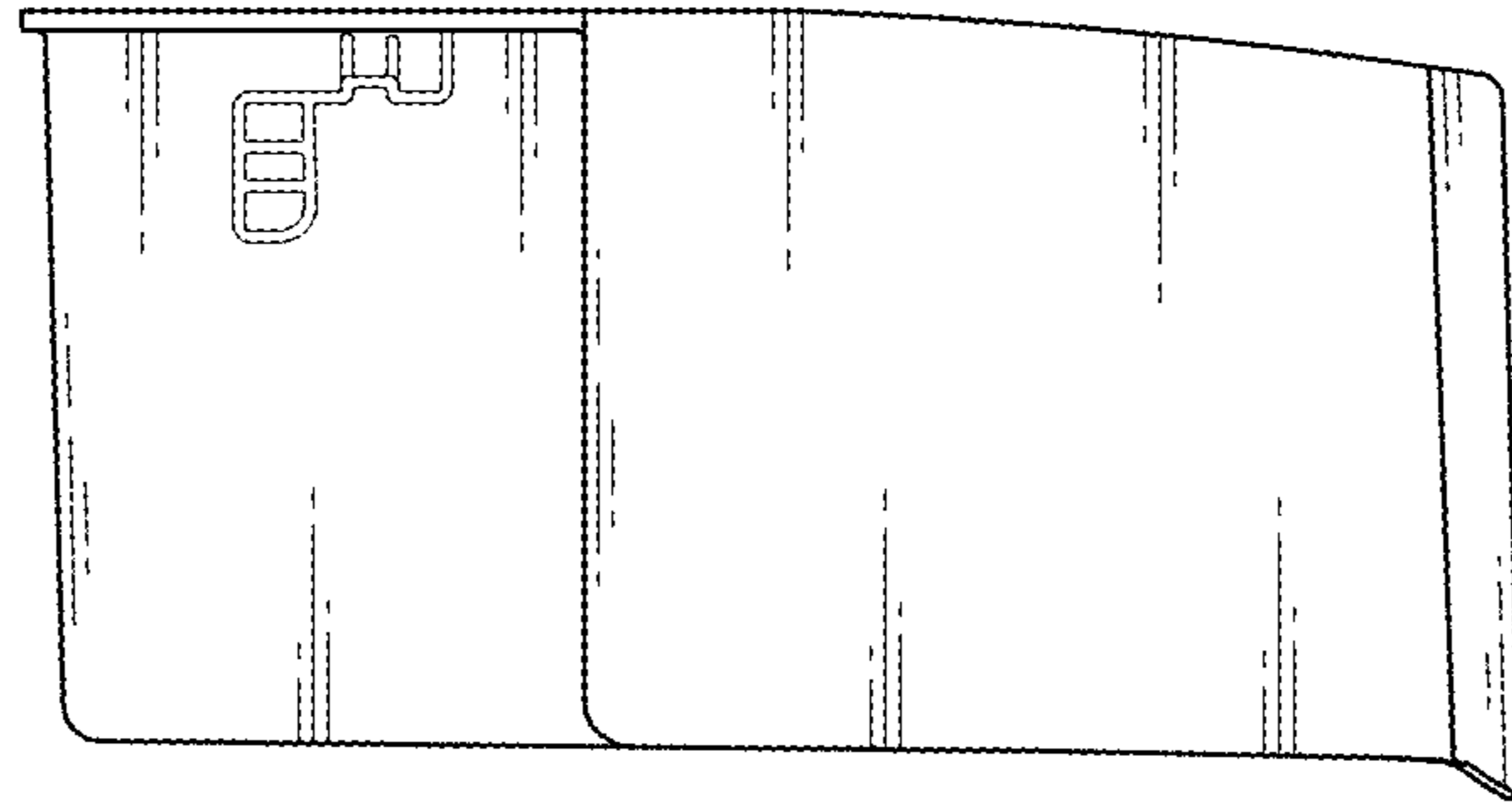


FIG.5

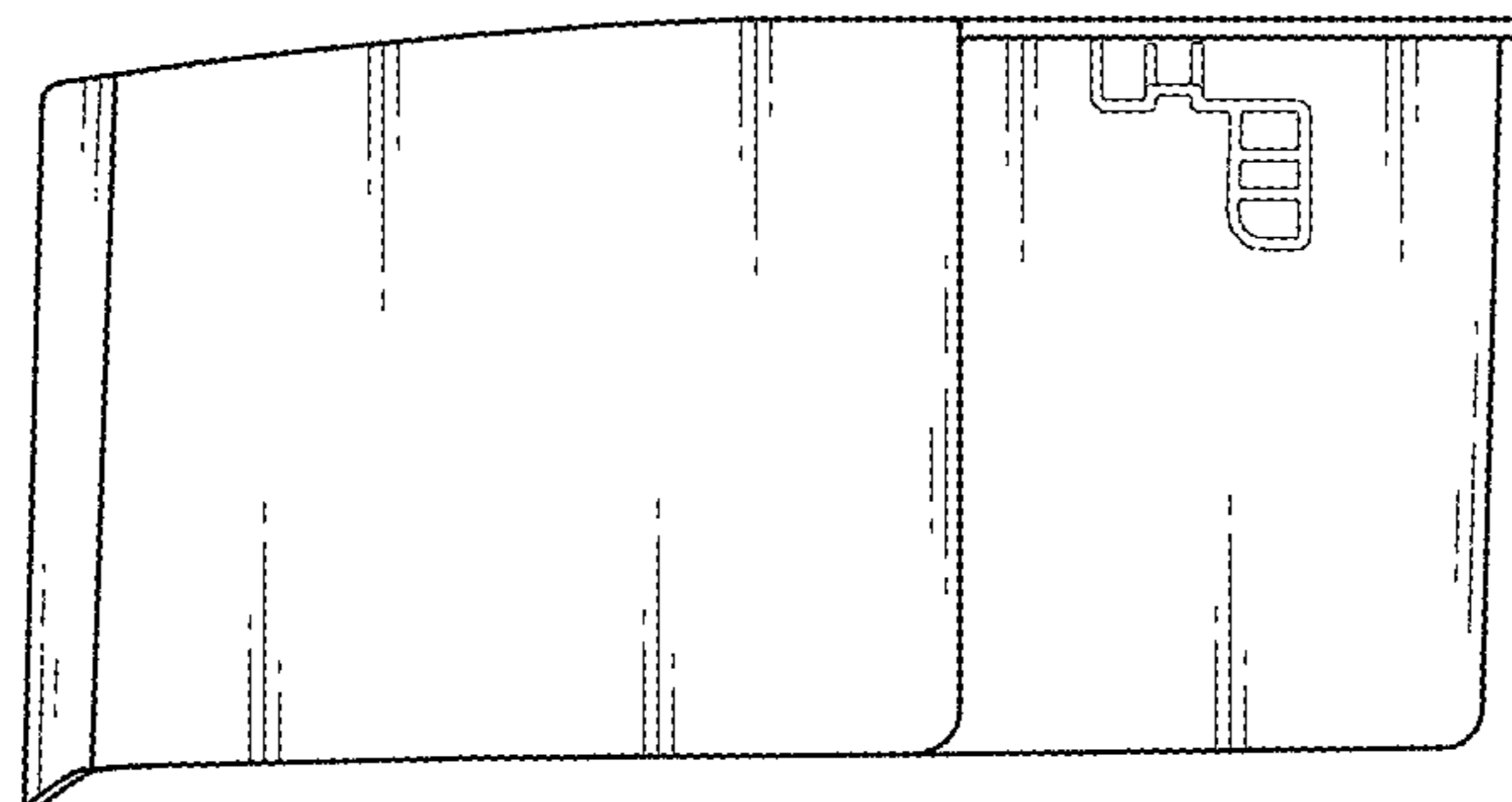


FIG. 6

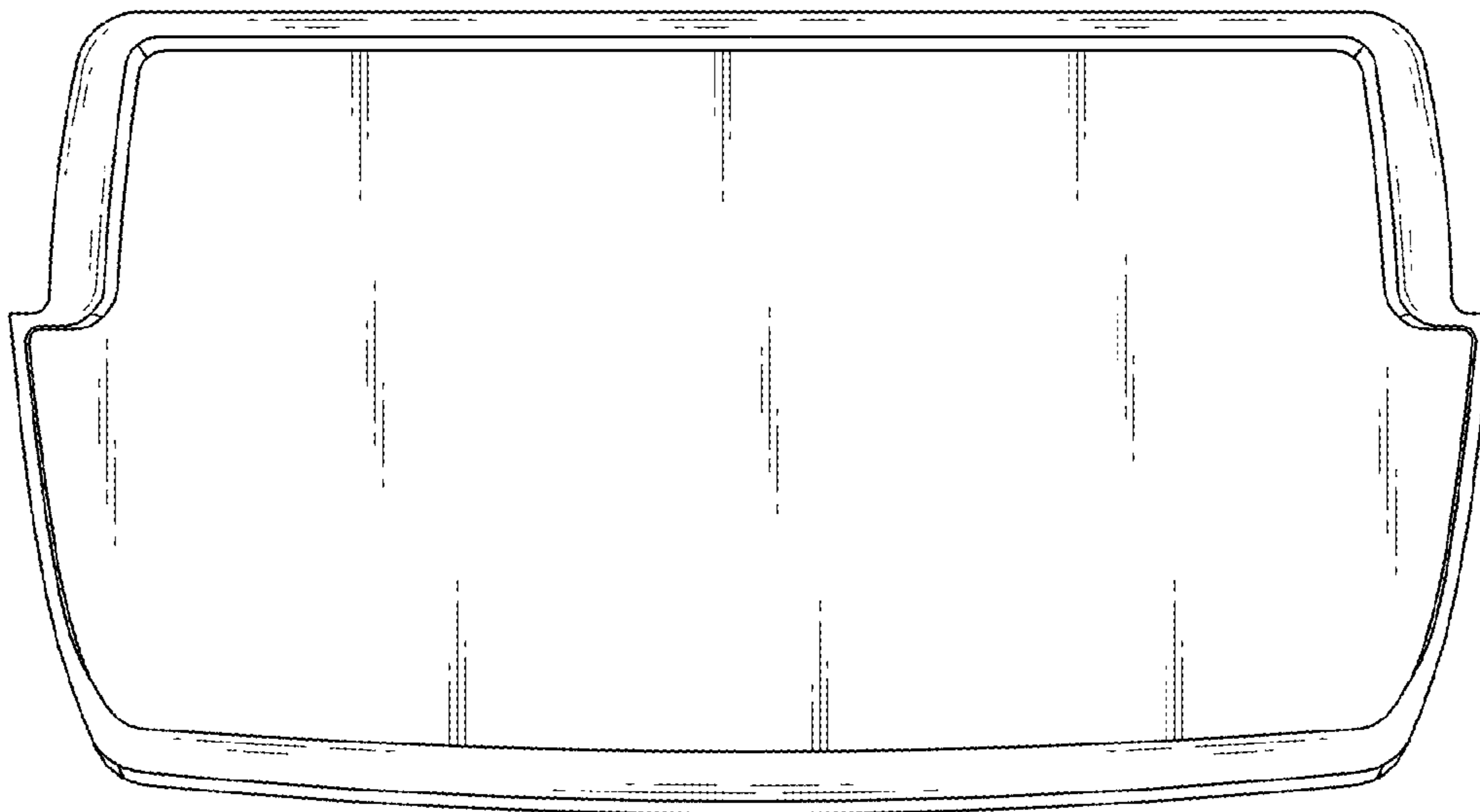


FIG. 7

