

US00D692031S

(12) **United States Design Patent**
Martin et al.

(10) **Patent No.:** **US D692,031 S**
(45) **Date of Patent:** **** Oct. 22, 2013**

(54) **WORK VEHICLE**

(71) Applicant: **Deere & Company**, Moline, IL (US)

(72) Inventors: **Kyle T. Martin**, Asbury, IA (US); **Travis A. Shekleton**, Peosta, IA (US); **Jeffrey R. Ekins**, Mona, UT (US); **Andrew W. Kahler**, Dubuque, IA (US); **Nilesh Kumbhar**, Dubuque, IA (US); **Slade Shepard**, Darlington, WI (US); **Thomas H. Ward**, Ventura, CA (US)

(73) Assignee: **Deere & Company**, Moline, IL (US)

(**) Term: **14 Years**

(21) Appl. No.: **29/444,460**

(22) Filed: **Jan. 30, 2013**

(51) **LOC (9) Cl.** **15-03**

(52) **U.S. Cl.**
USPC **D15/33**

(58) **Field of Classification Search**
USPC D15/22-26, 28, 30, 33; D12/96;
D34/34-37; 180/89.1, 89.12, 900, 311,
180/312; 280/785; 296/102; 414/685, 914,
414/680, 686, 700, 710, 503
See application file for complete search history.

(56) **References Cited**

U.S. PATENT DOCUMENTS

D251,088 S *	2/1979	Johnson et al.	D15/23
D322,792 S *	12/1991	Park	D15/25
D376,372 S *	12/1996	Little et al.	D15/23
5,775,438 A *	7/1998	Confoey et al.	172/831
D407,415 S *	3/1999	Flatau et al.	D15/28
D419,568 S *	1/2000	Baig et al.	D15/25
D423,521 S *	4/2000	Walter et al.	D15/23
D468,754 S *	1/2003	Dershem et al.	D15/28
D469,448 S *	1/2003	Bares et al.	D15/32
D472,904 S *	4/2003	Bares et al.	D15/24
D492,327 S *	6/2004	Albright et al.	D15/23

D516,587 S *	3/2006	Bares et al.	D15/23
D563,438 S *	3/2008	Bares et al.	D15/28
D572,276 S *	7/2008	Pinther et al.	D15/23
D572,277 S *	7/2008	Pinther et al.	D15/23
D583,834 S *	12/2008	Sugiyama et al.	D15/23
D583,835 S *	12/2008	Sugiyama et al.	D15/23
D600,721 S *	9/2009	Shimomura et al.	D15/23
D602,508 S *	10/2009	Shimomura et al.	D15/32

OTHER PUBLICATIONS

John Deere K-Series Loaders (92-147 kW) Brochure, Mar. 2012.
John Deere 300-Series Skid Steers Brochure, Oct. 2007.
John Deere D-Series Skid Steers Brochure, Oct. 2010.
John Deere K-Series Loaders Brochure, Feb. 2012.
Gehl V400 Skid Loader Brochure.

(Continued)

Primary Examiner — Mark Goodwin

(74) *Attorney, Agent, or Firm* — Quarles & Brady LLP

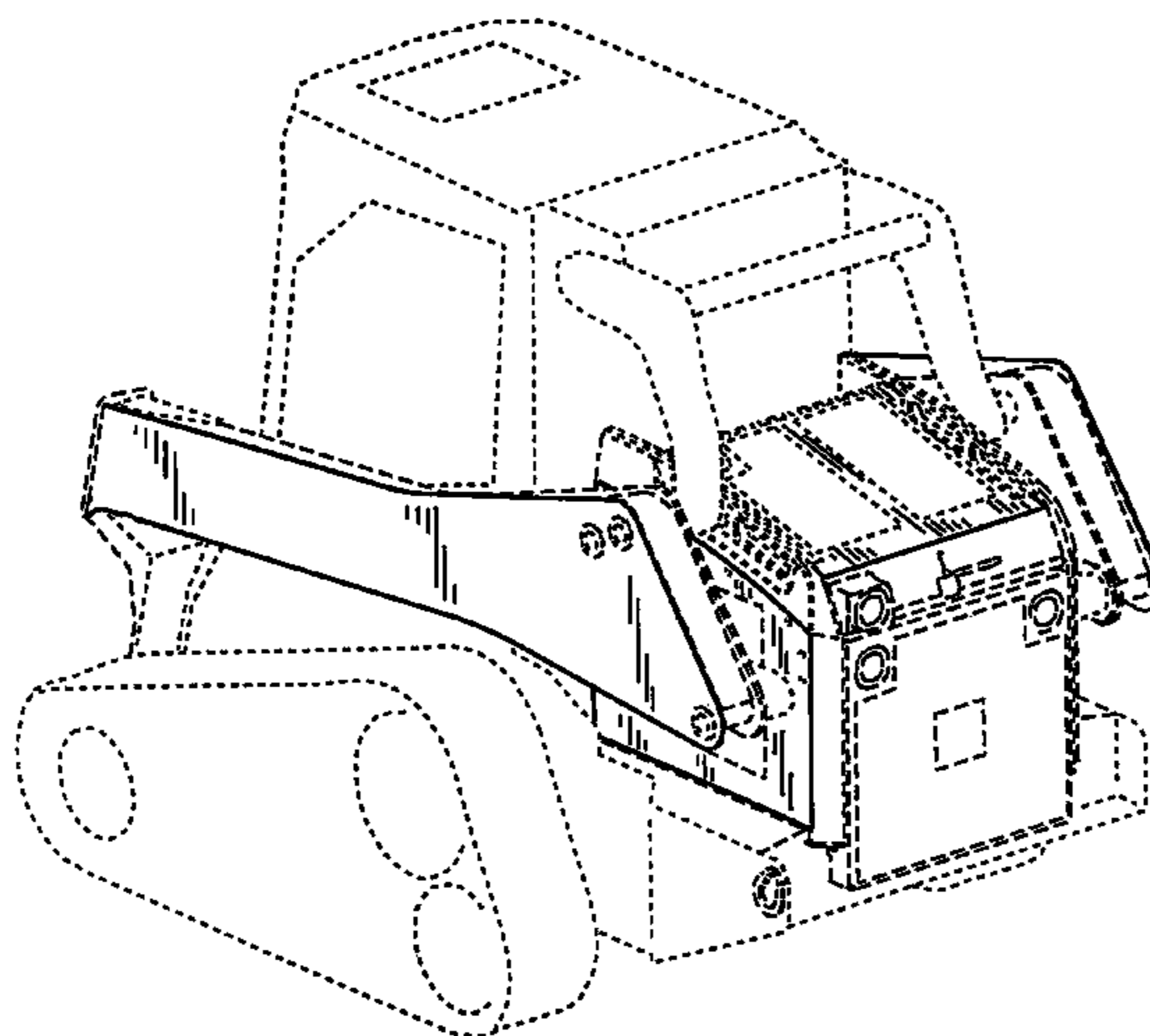
(57) **CLAIM**

The ornamental design for a work vehicle, as shown and described.

DESCRIPTION

FIG. 1 is a top, rear, left perspective view of a work vehicle embodying our new design;
FIG. 2 is a left side elevational view thereof;
FIG. 3 is a right side elevational view thereof;
FIG. 4 is a front elevational view thereof;
FIG. 5 is a rear elevational view thereof;
FIG. 6 is a top plan view thereof; and,
FIG. 7 is a top, rear, left perspective thereof view showing different work vehicle environment.
The broken line representations in the figures show unclaimed environment or boundaries, and thus form no part of the claimed design.
The nature of this product is a work vehicle, such as a skid steer loader, including boom arms and engine cover parts therefor.

1 Claim, 7 Drawing Sheets



(56)

References Cited

OTHER PUBLICATIONS

Catepillar 279C Series 2 and 289C Series 2 Compact Track Loaders Brochure, May 2012.

Catepillar 216B/226B/236B Series 3 and 242B/252B Series 3 Skid Steer Loaders Brochure, Jun. 2011.

Bobcat S185 Skid Steer Loader, www.bobcat.com/loaders/models/skidsteer/s185.

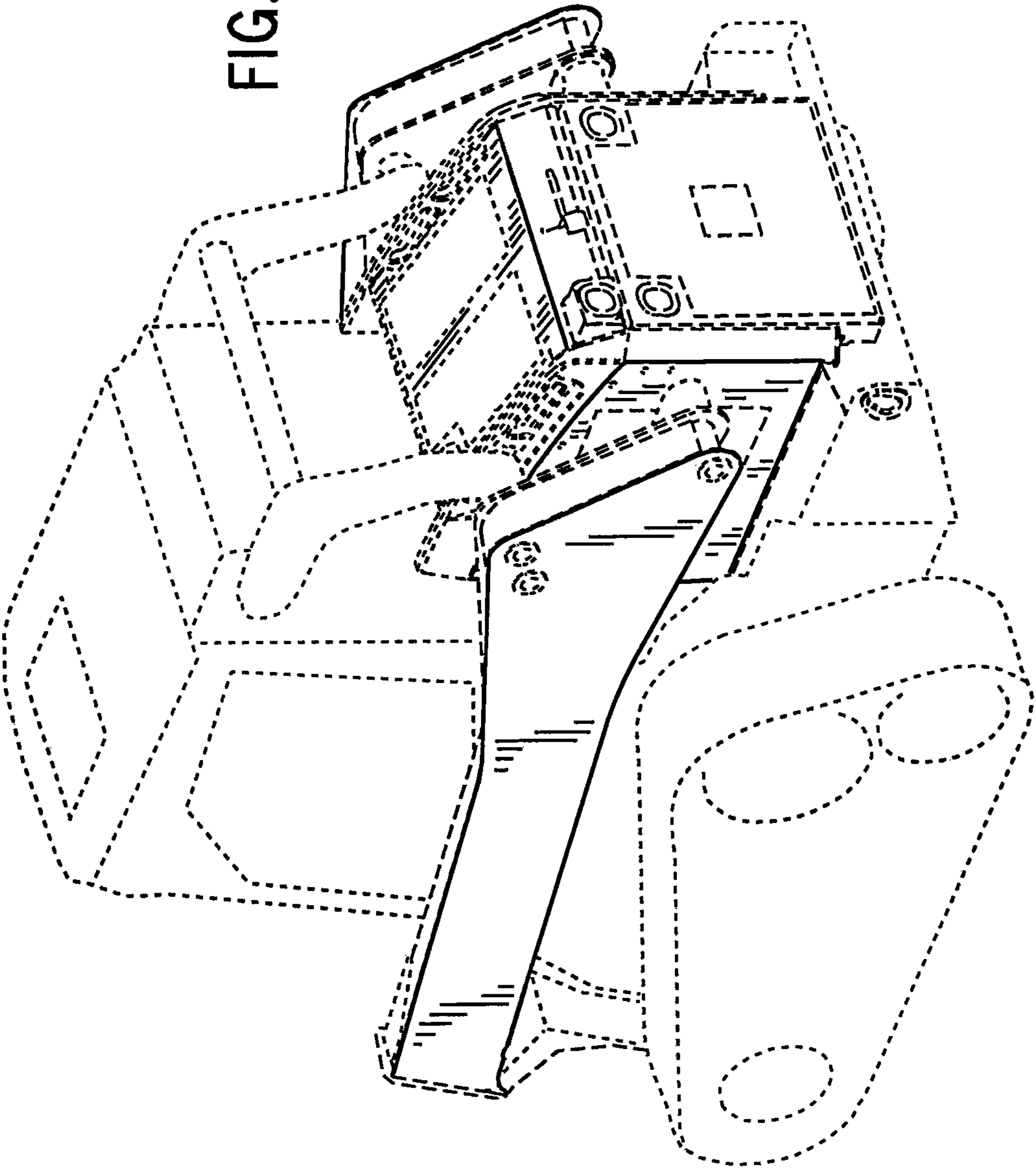
Bobcat T190 Compact Track Loader, www.bobcat.com/loaders/models/track/t190.

Kubota Tractor Corp. SVL75 and SVL90, www.kubota.com/products/SVL/SVL.aspx.

Catepillar 246C/262C Series 2 Skid Steer Loaders, May 2012.

* cited by examiner

FIG. 1



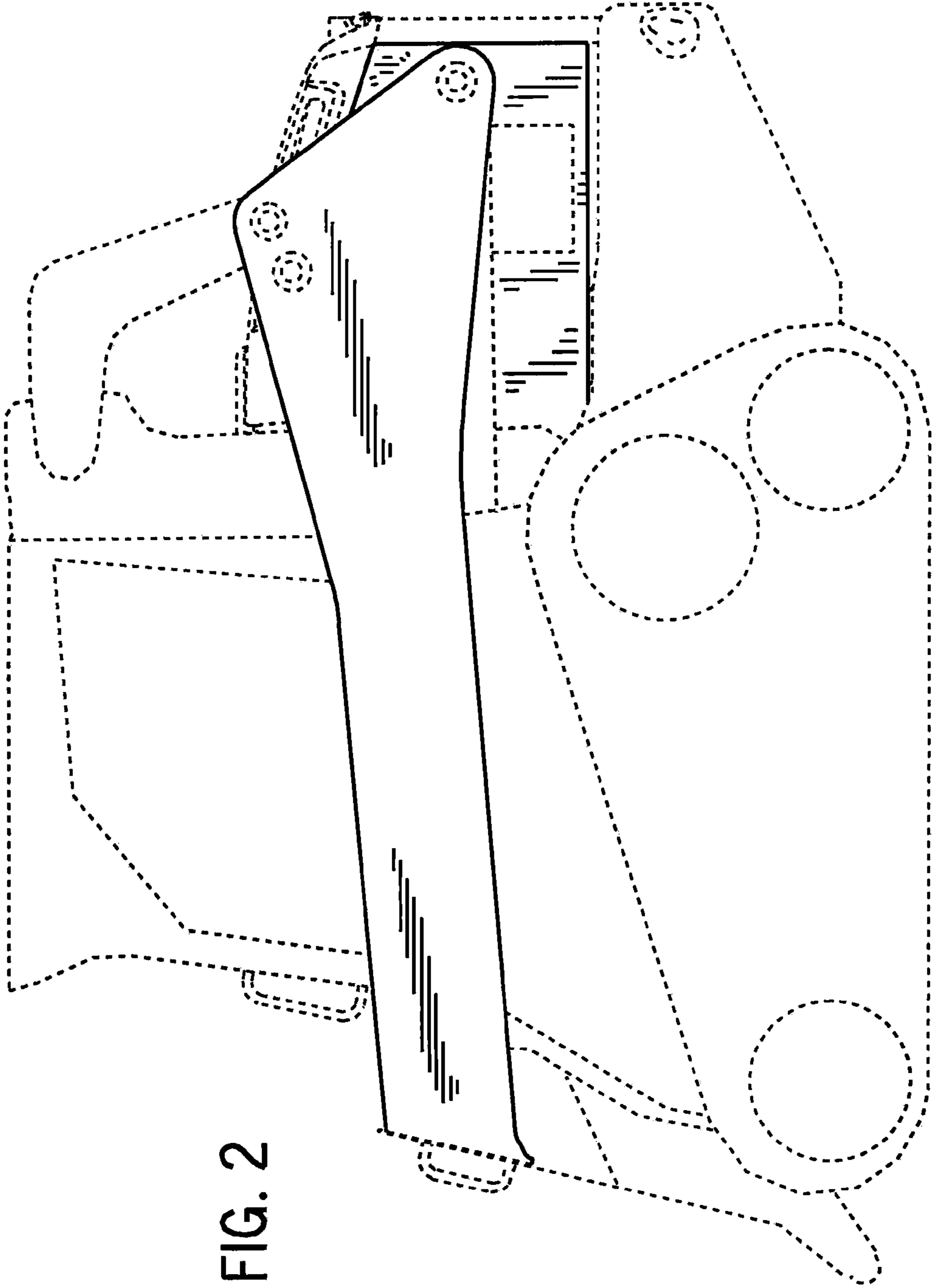
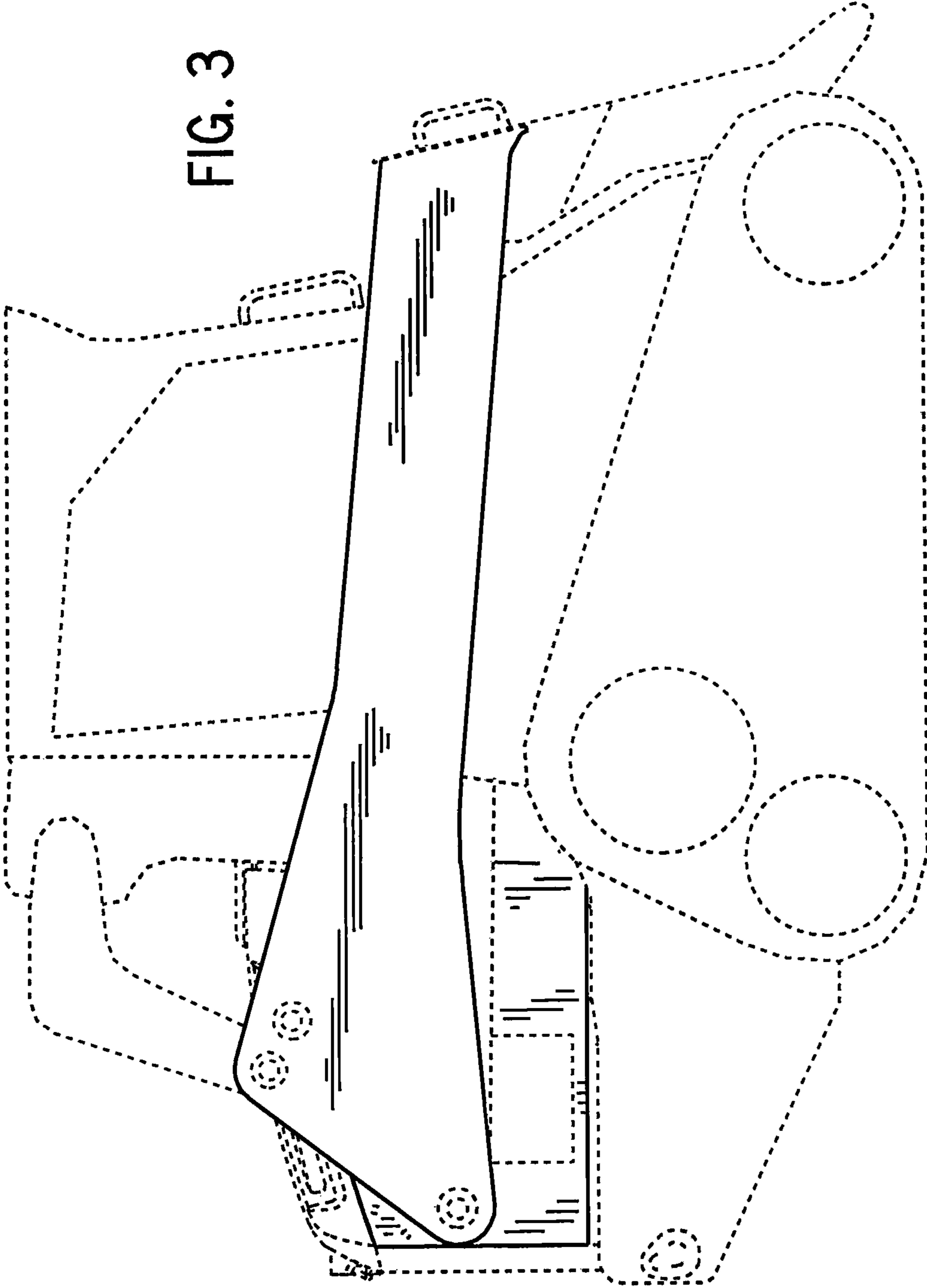


FIG. 2

FIG. 3



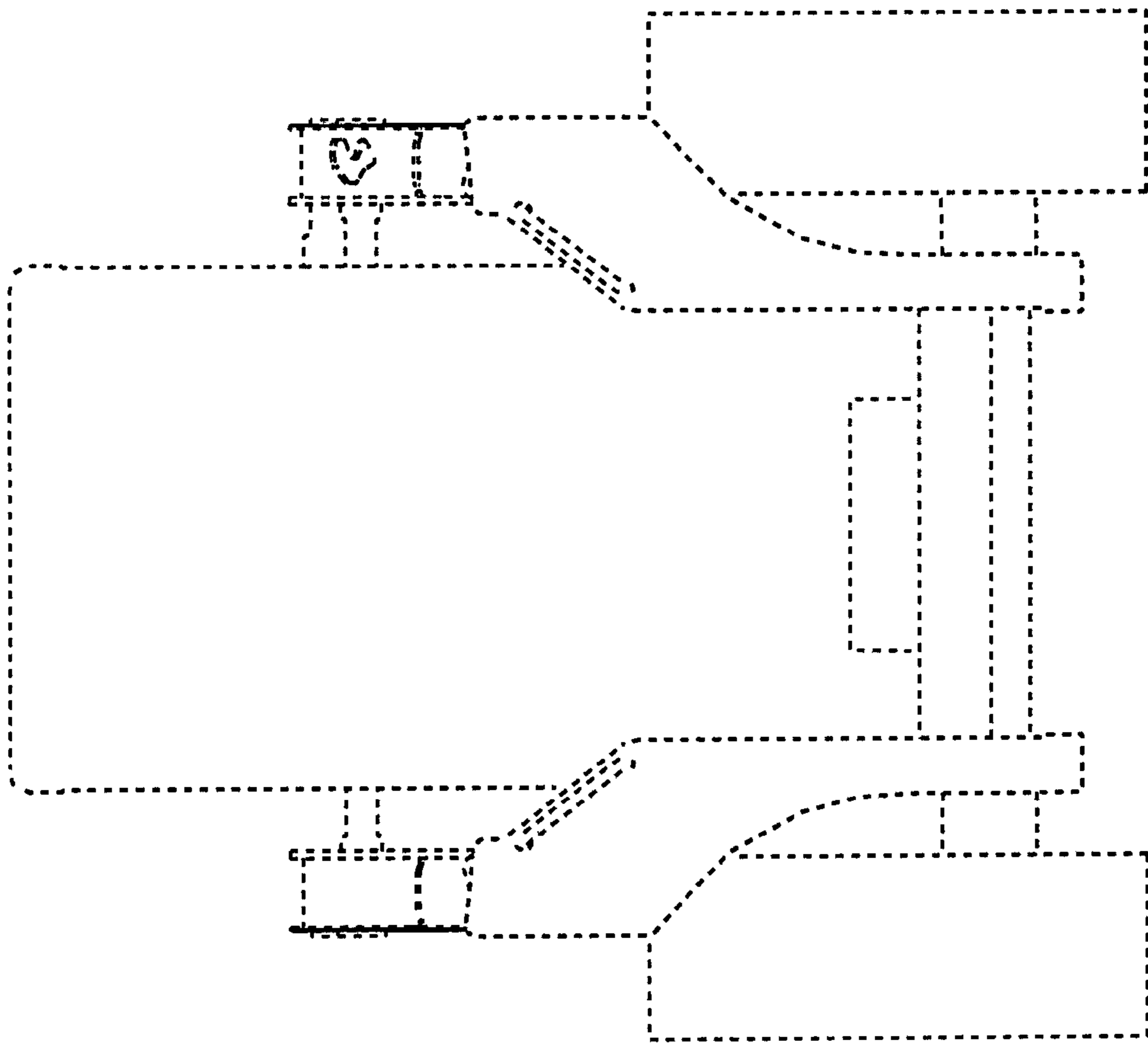


FIG. 4

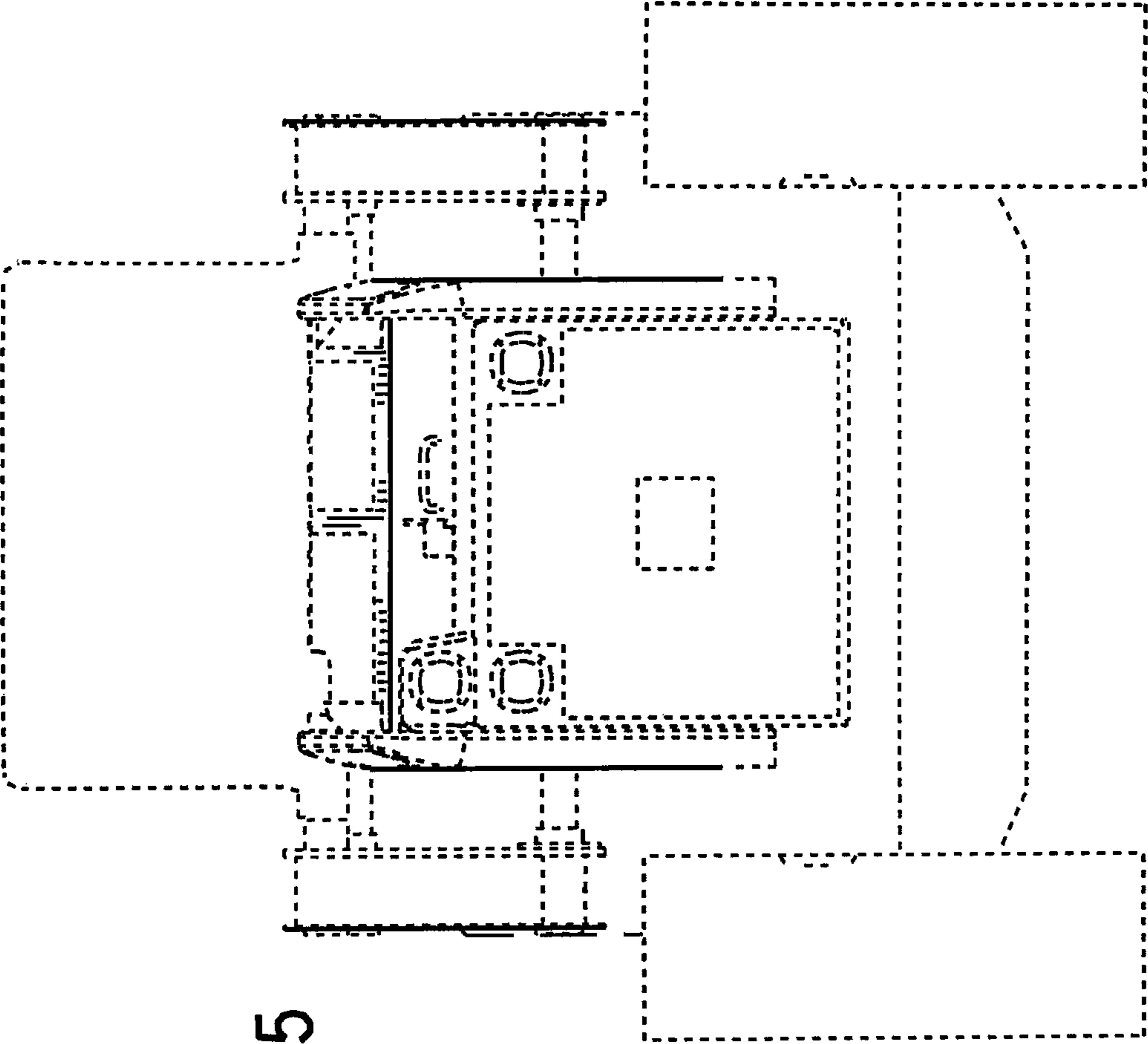


FIG. 5

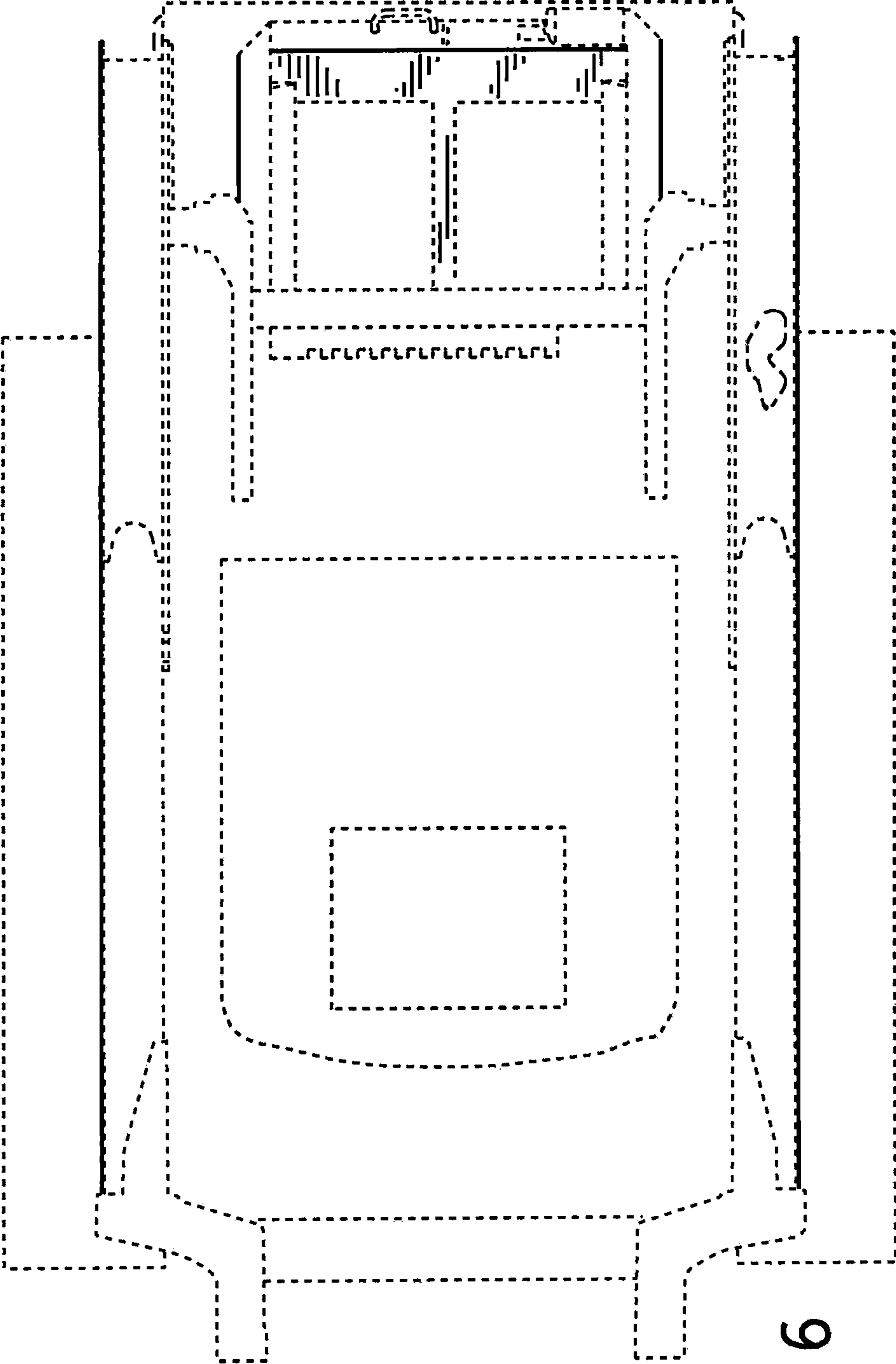


FIG. 6

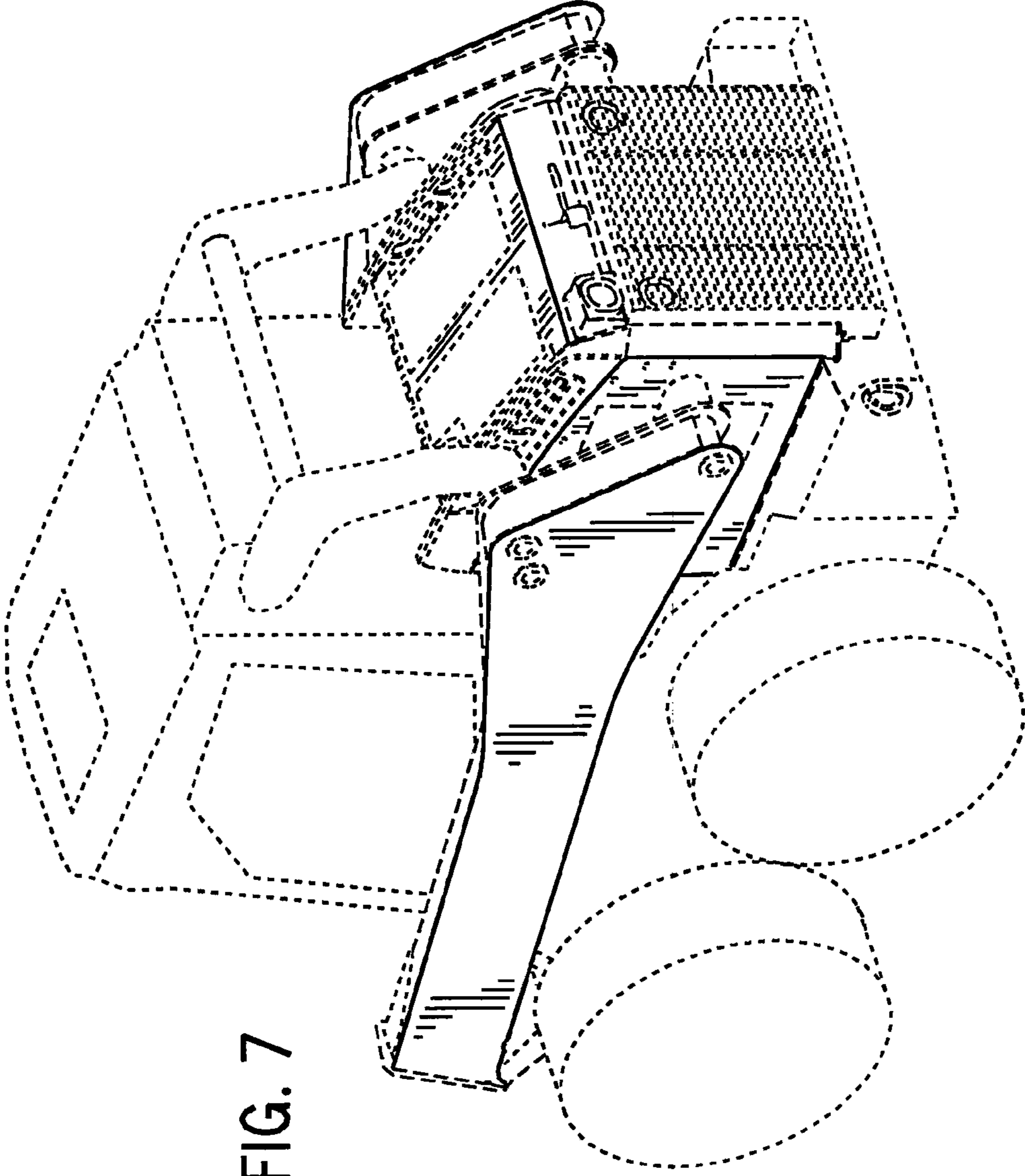


FIG. 7