

US00D692030S

(12) **United States Design Patent**  
**Martin et al.**

(10) **Patent No.:** **US D692,030 S**

(45) **Date of Patent:** **\*\* Oct. 22, 2013**

(54) **WORK VEHICLE BOOM**

(71) Applicant: **Deere & Company**, Moline, IL (US)

(72) Inventors: **Kyle T. Martin**, Asbury, IA (US); **Travis A. Shekleton**, Peosta, IA (US); **Jeffrey R. Ekins**, Mona, UT (US); **Andrew W. Kahler**, Dubuque, IA (US); **Nilesh Kumbhar**, Dubuque, IA (US); **Thomas H. Ward**, Ventura, CA (US)

(73) Assignee: **Deere & Company**, Moline, IL (US)

(\*\*) Term: **14 Years**

(21) Appl. No.: **29/444,440**

(22) Filed: **Jan. 30, 2013**

(51) **LOC (9) Cl.** ..... **15-03**

(52) **U.S. Cl.**  
USPC ..... **D15/28**

(58) **Field of Classification Search**

USPC ..... D15/10, 22-26, 28, 29, 32; 414/686,  
414/694, 722, 718, 815, 723, 685; 37/341,  
37/407

See application file for complete search history.

(56) **References Cited**

**U.S. PATENT DOCUMENTS**

3,283,928	A	*	11/1966	De Bosredon	.....	414/694
D251,088	S	*	2/1979	Johnson et al.	.....	D15/23
D251,241	S	*	3/1979	Grove	.....	D34/36
D322,792	S	*	12/1991	Park	.....	D15/25
D376,372	S	*	12/1996	Little et al.	.....	D15/23
D423,521	S	*	4/2000	Walter et al.	.....	D15/23
D451,105	S	*	11/2001	Masumoto et al.	.....	D15/28
D468,754	S	*	1/2003	Dershem et al.	.....	D15/28
D469,448	S	*	1/2003	Bares et al.	.....	D15/32
D472,904	S	*	4/2003	Bares et al.	.....	D15/24
D492,327	S	*	6/2004	Albright et al.	.....	D15/23
D563,438	S	*	3/2008	Bares et al.	.....	D15/28
D572,276	S	*	7/2008	Pinther et al.	.....	D15/23

D572,277	S	*	7/2008	Pinther et al.	.....	D15/23
D583,834	S	*	12/2008	Sugiyama et al.	.....	D15/23
D583,835	S	*	12/2008	Sugiyama et al.	.....	D15/23
D600,721	S	*	9/2009	Shimomura et al.	.....	D15/23
D602,508	S	*	10/2009	Shimomura et al.	.....	D15/32
D629,019	S	*	12/2010	Major	.....	D15/32
D646,306	S	*	10/2011	Bradley et al.	.....	D15/32

**OTHER PUBLICATIONS**

John Deere 300-Series Skid Steers Brochure, Oct. 2007.  
John Deere D-Series Skid Steers Brochure, Oct. 2010.  
John Deere K-Series Loaders Brochure, Feb. 2012.  
GEHL V400 Skid Loader Brochure.

(Continued)

*Primary Examiner* — Mark Goodwin

(74) *Attorney, Agent, or Firm* — Quarles & Brady LLP

(57) **CLAIM**

The ornamental design for a work vehicle boom, as shown and described.

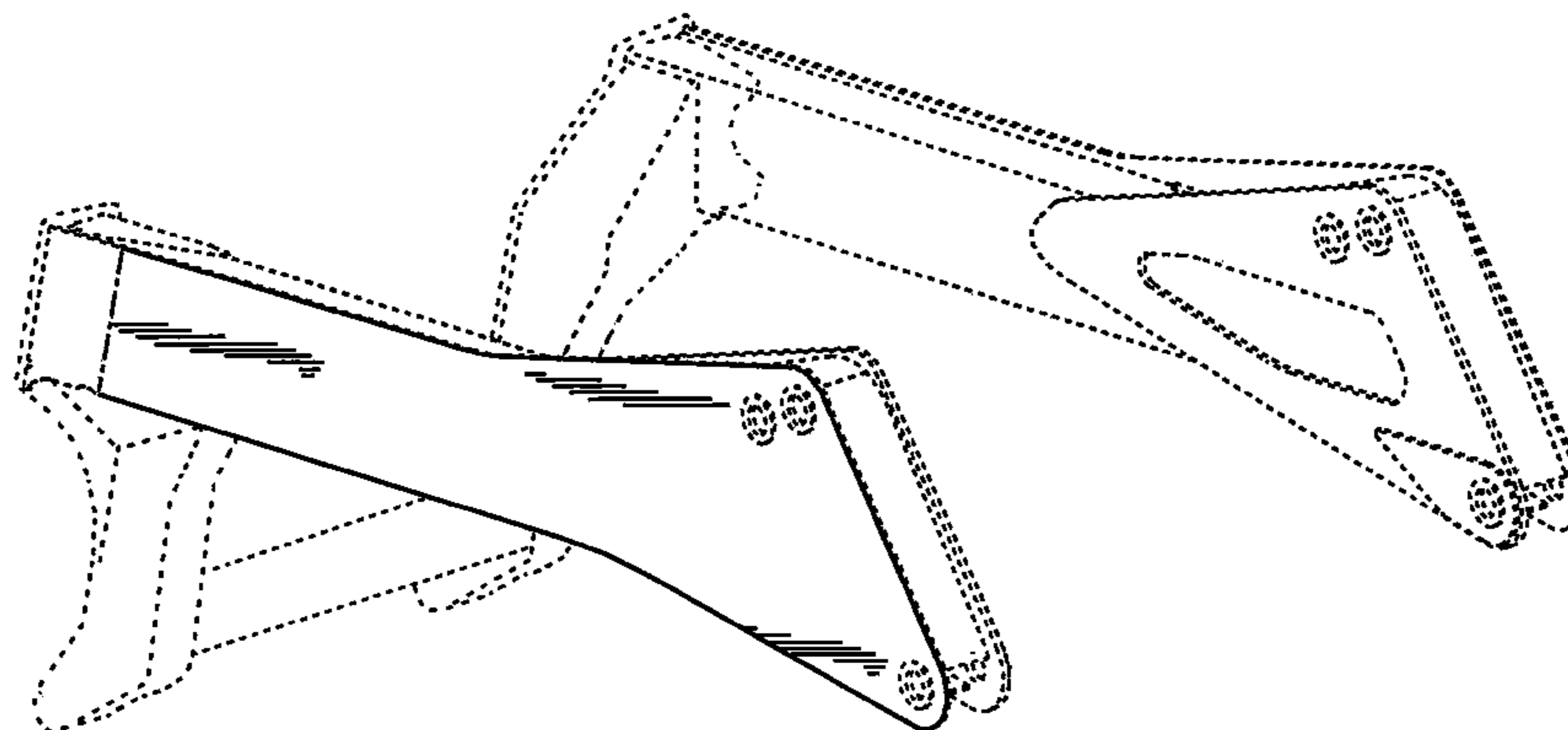
**DESCRIPTION**

FIG. 1 is a top, rear, left perspective view of a work vehicle boom embodying our new design;  
FIG. 2 is a left side elevational view thereof;  
FIG. 3 is a right side elevational view thereof;  
FIG. 4 is a front elevational view thereof;  
FIG. 5 is a rear elevational view thereof;  
FIG. 6 is a top plan view thereof;  
FIG. 7 is a bottom plan view thereof; and,  
FIG. 8 is a top, rear, right perspective view of a work vehicle boom according to another embodiment of our new design, the various views thereof being mirror images of the views shown in FIGS. 2-7.

The broken line representations in the figures show unclaimed environment or boundaries, and thus form no part of the claimed design.

The nature of this product is a boom arm for a work vehicle, such as a skid steer loader.

**1 Claim, 8 Drawing Sheets**



(56)

**References Cited**

OTHER PUBLICATIONS

Catepillar 279C Series 2 and 289C Series 2 Compact Track Loaders Brochure, May 2012.

Catepillar 216B/226B/236B Series 3 and 242B/252B Series 3 Skid Steer Loaders Brochure, Jun. 2011.

Bobcat S185 Skid Steer Loader, [www.bobcat.com/loaders/models/skidsteer/s185](http://www.bobcat.com/loaders/models/skidsteer/s185).

Bobcat T190 Compact Track Loader, [www.bobcat.com/loaders/models/track/t190](http://www.bobcat.com/loaders/models/track/t190).

Kubota Tractor Corp. SVL75 and SVL90, [www.kubota.com/products/SVL/SVL.aspx](http://www.kubota.com/products/SVL/SVL.aspx).

Catepillar 246C/262C Series 2 Skid Steer Loaders, May 2012.

John Deere K-Series Loaders (92-147 kW) Brochure, Mar. 2012.

\* cited by examiner

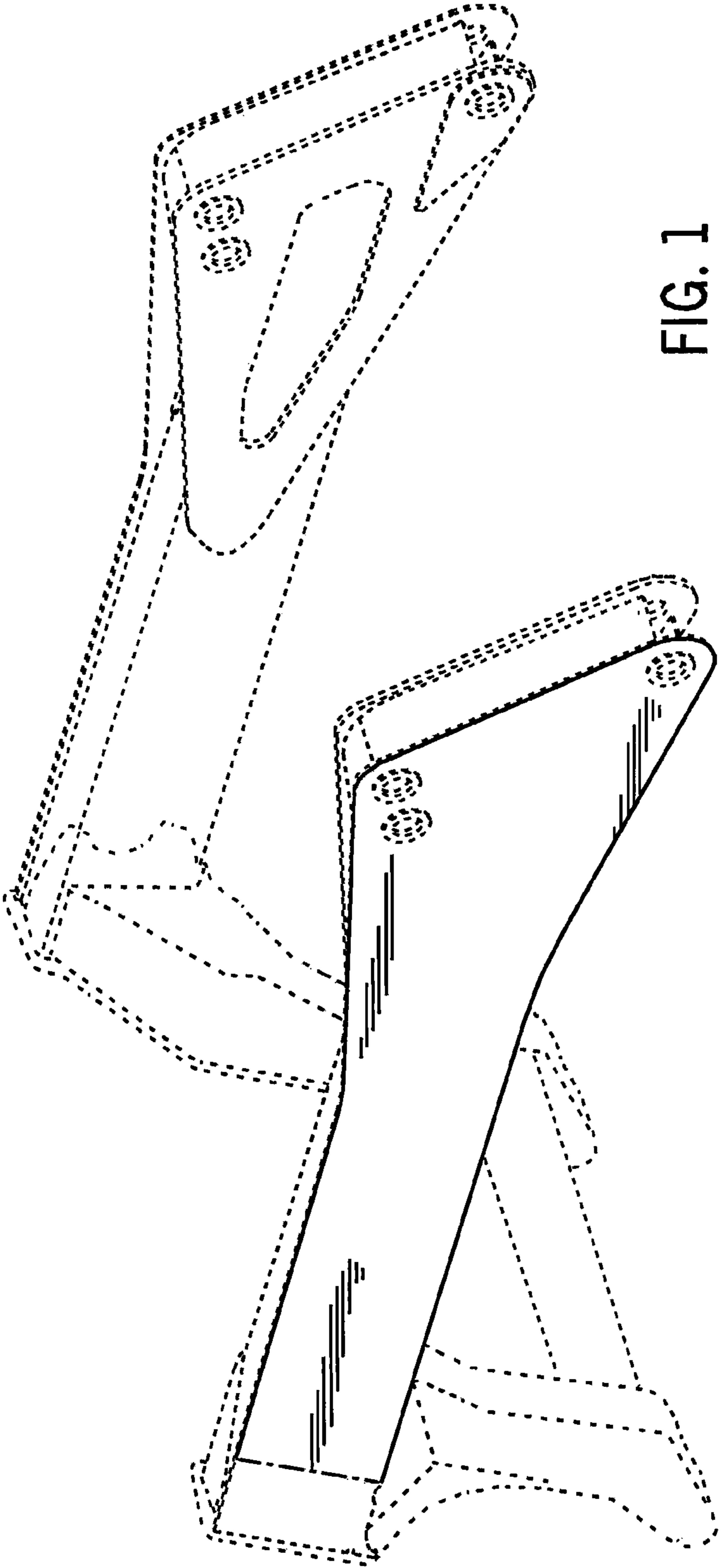


FIG. 1

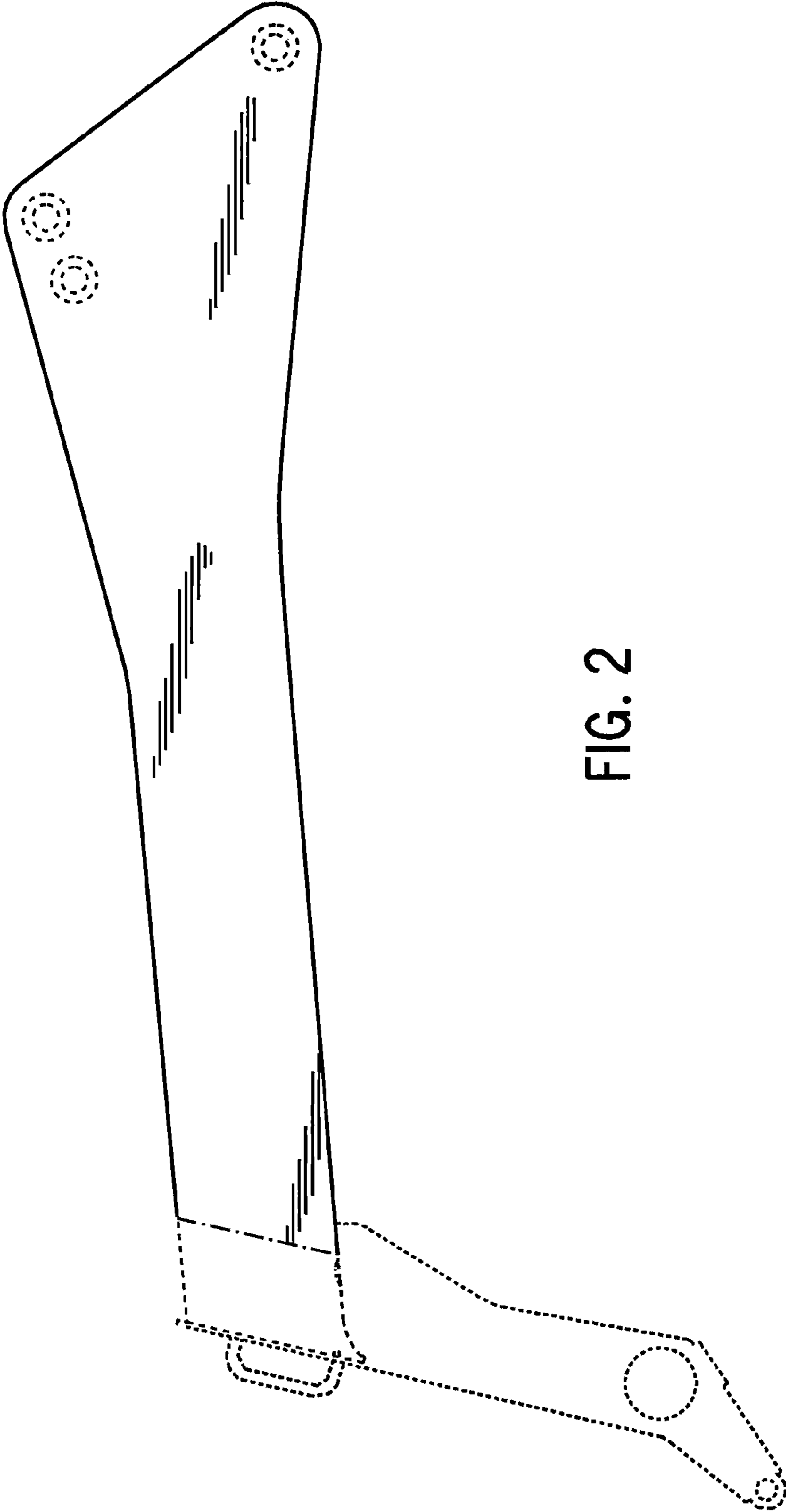


FIG. 2

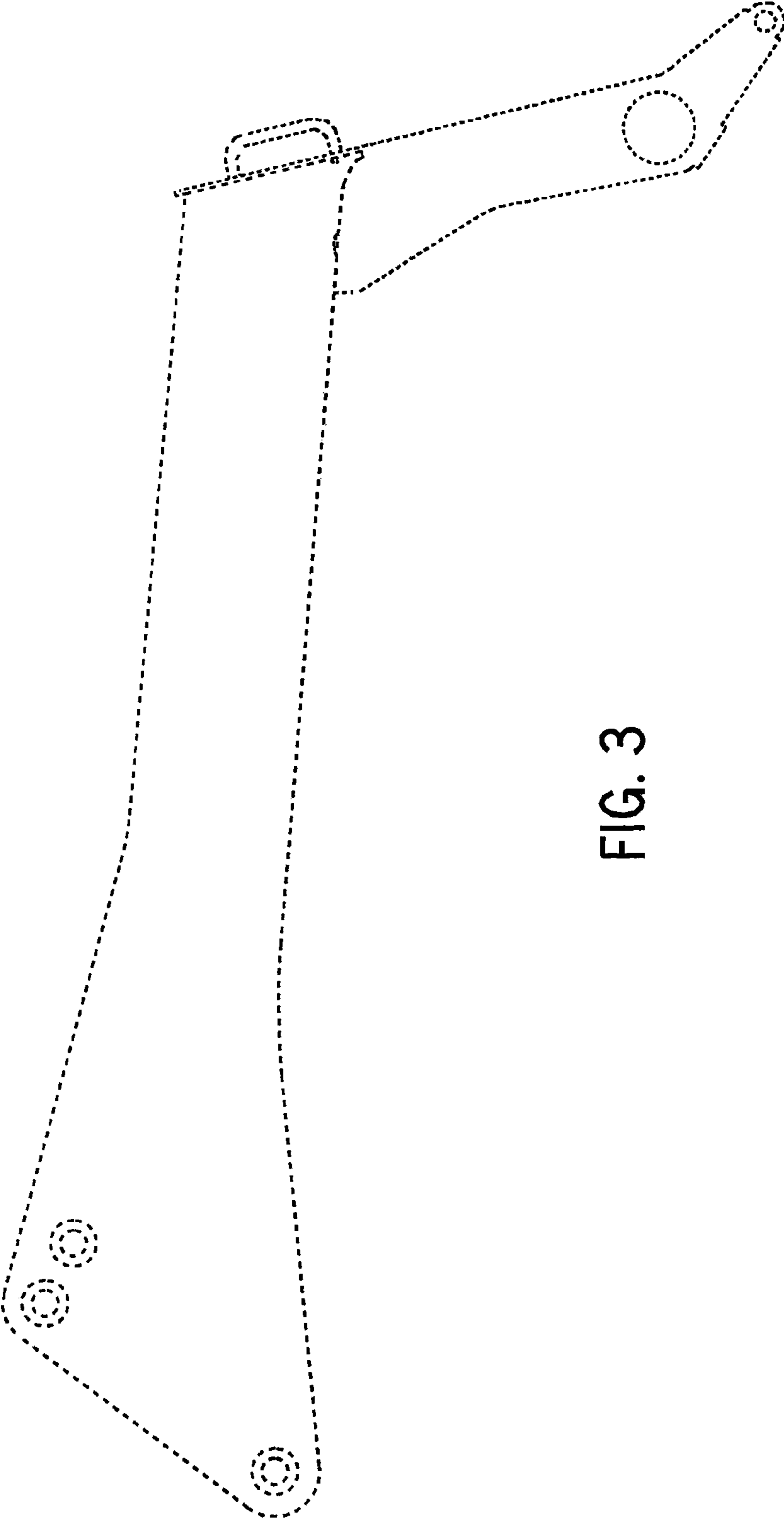


FIG. 3

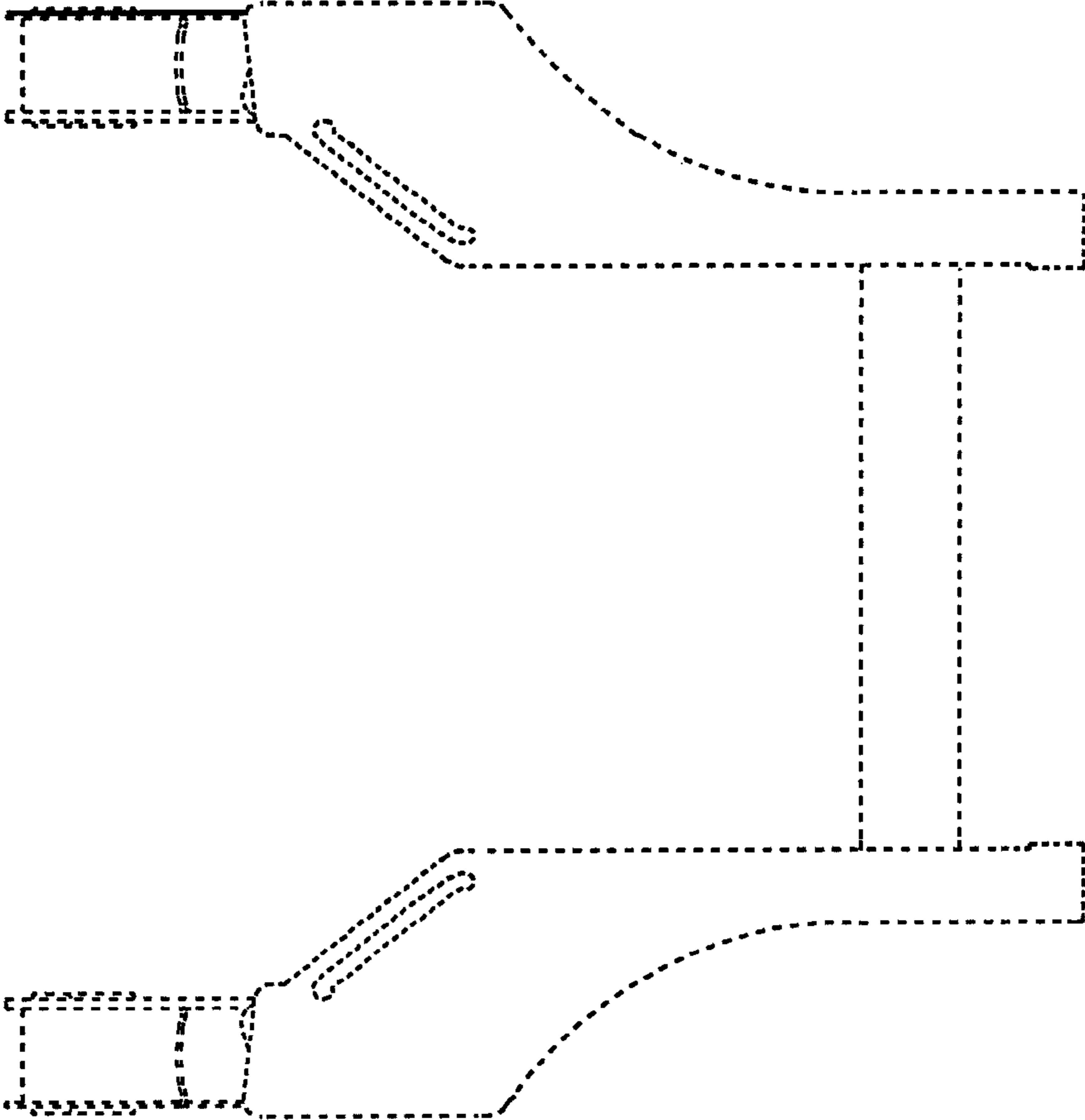


FIG. 4

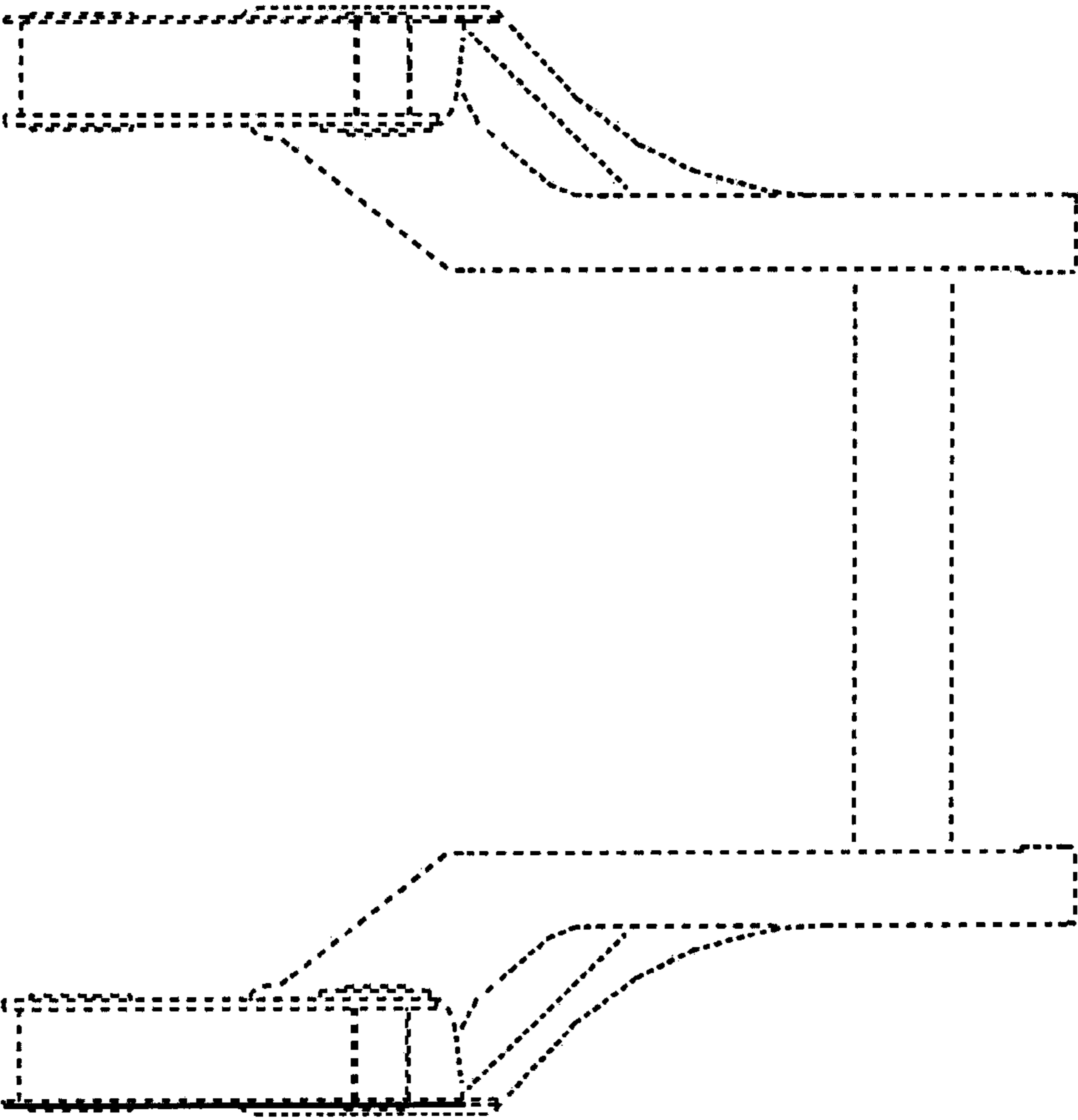


FIG. 5

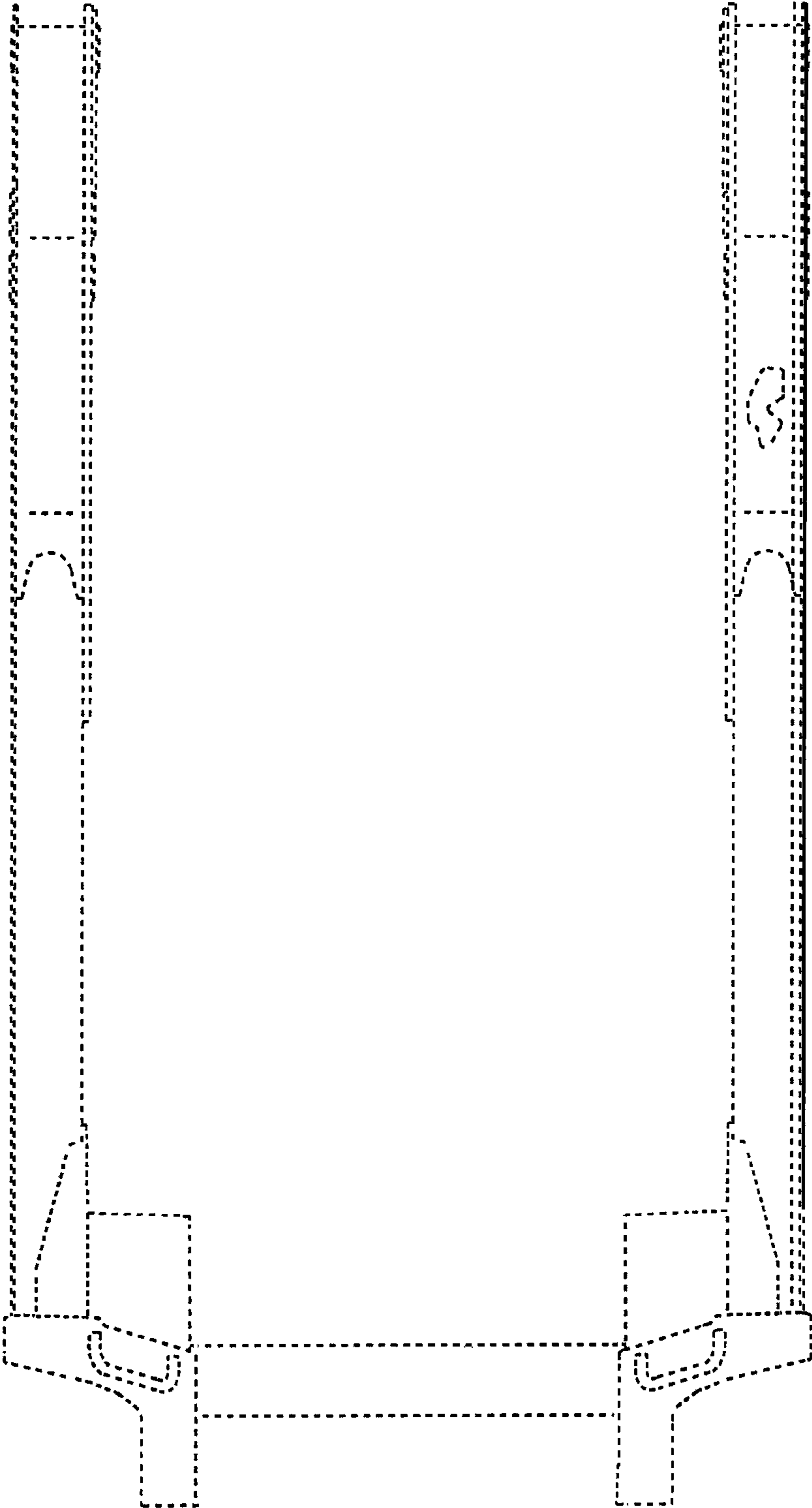


FIG. 6



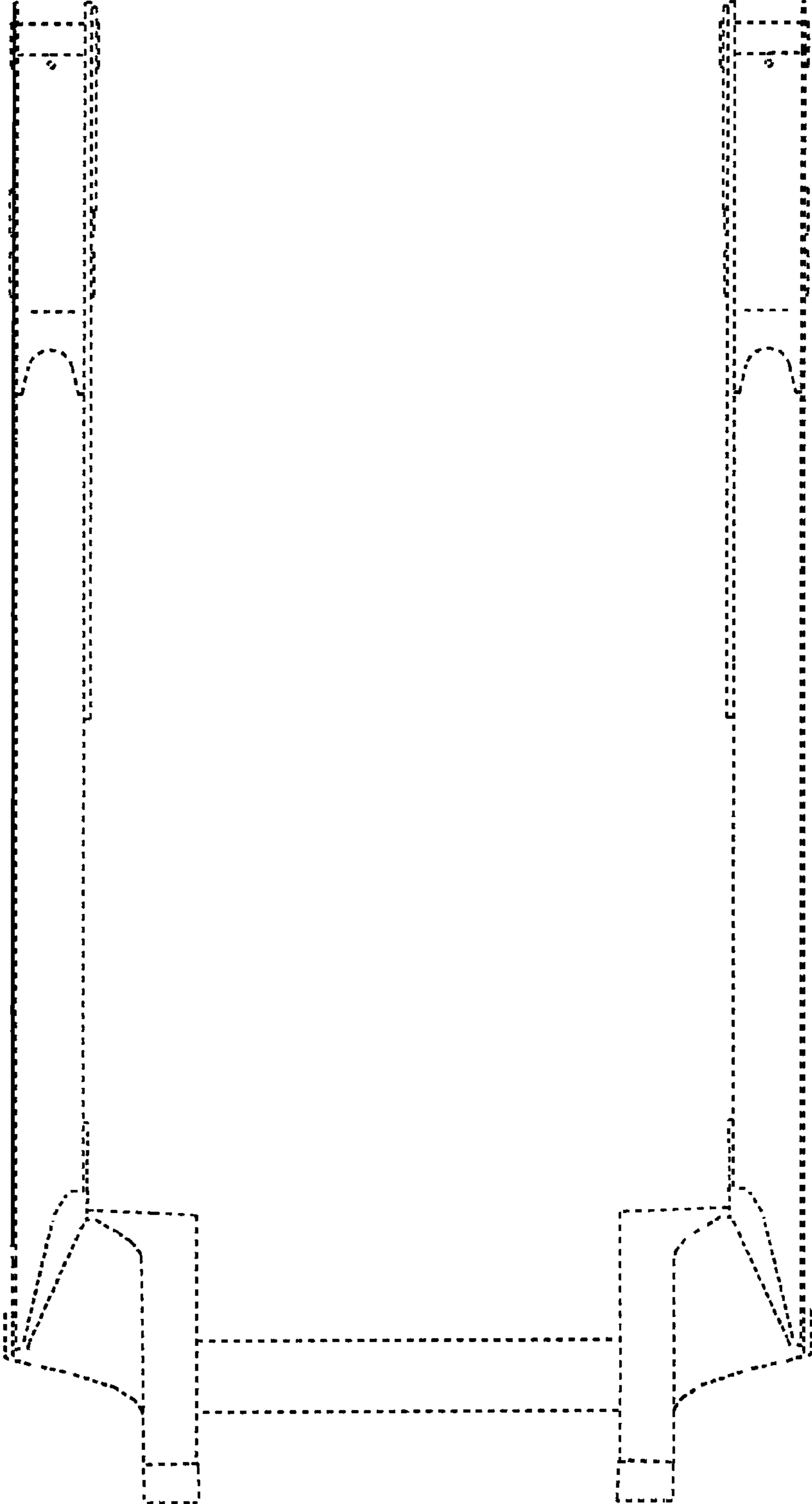


FIG. 7

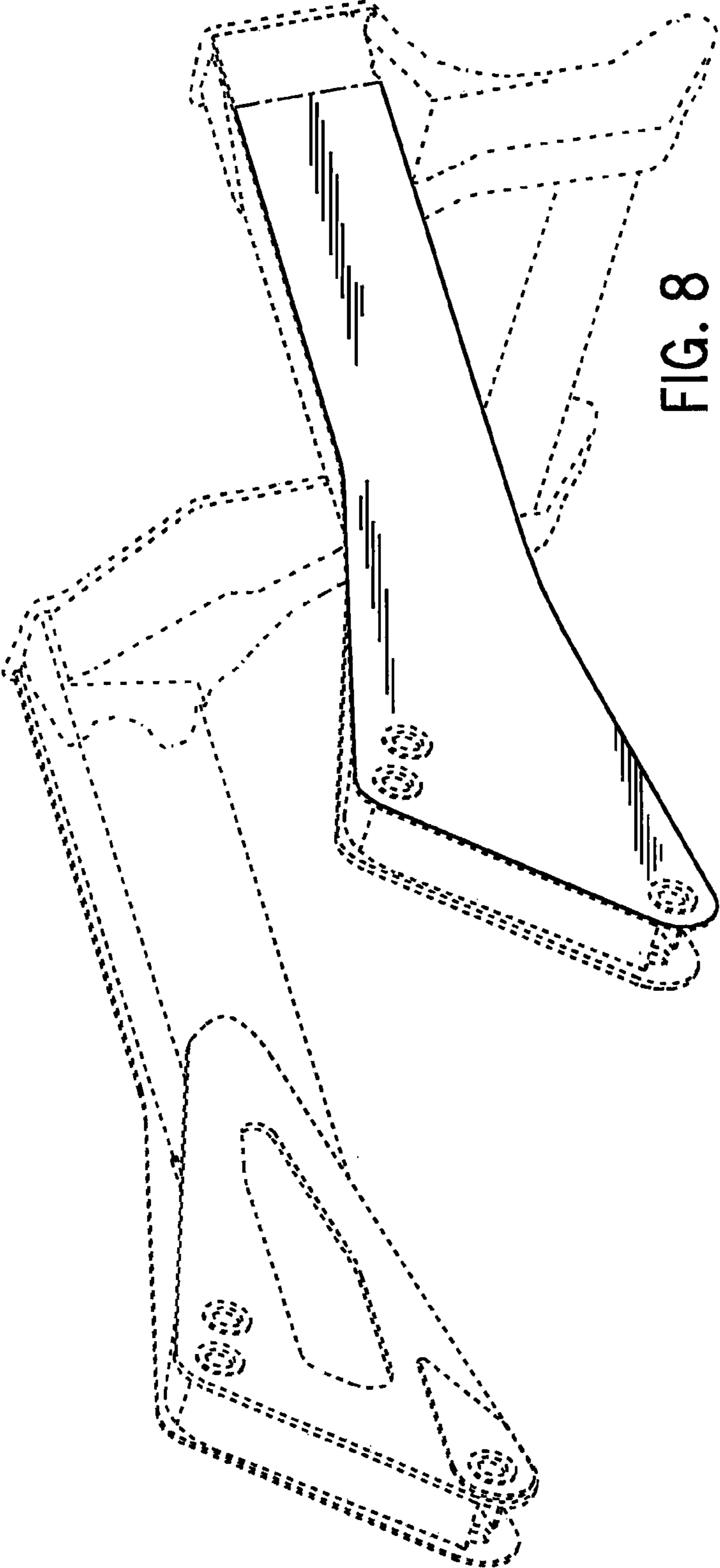


FIG. 8