



US00D692029S

(12) **United States Design Patent**
Hiraoka et al.

(10) **Patent No.:** **US D692,029 S**
(45) **Date of Patent:** **** Oct. 22, 2013**

(54) **HYDRAULIC EXCAVATOR**
(71) Applicant: **Hitachi Construction Machinery Co., Ltd.**, Tokyo (JP)
(72) Inventors: **Kazuhiko Hiraoka**, Kodaira (JP); **Masashi Nakanishi**, Tsukuba (JP); **Koji Kawasaki**, Amimachi (JP); **Tsuyoshi Takayama**, Tsukuba (JP)

5,544,435 A * 8/1996 Somero 37/405
5,590,482 A * 1/1997 Peterson et al. 37/403
D391,272 S * 2/1998 Jin et al. D15/25
D409,629 S * 5/1999 Miyaoka et al. D15/25
D437,602 S * 2/2001 Hiraoka et al. D15/25
D460,975 S * 7/2002 Yanagida et al. D15/25
D462,973 S * 9/2002 Tamaru et al. D15/25
D462,974 S * 9/2002 Yanagida et al. D15/25
D534,552 S * 1/2007 Yanagida D15/25

(73) Assignee: **Hitachi Construction Machinery Co., Ltd.**, Tokyo (JP)
(**) Term: **14 Years**

FOREIGN PATENT DOCUMENTS
CN 301611810 S 7/2011
CN 301633870 S 8/2011
CN 301720833 S 11/2011
JP D 1311732 S 10/2007

(21) Appl. No.: **29/451,883**

* cited by examiner

(22) Filed: **Apr. 10, 2013**

Primary Examiner — Mark Goodwin

(30) **Foreign Application Priority Data**

(74) *Attorney, Agent, or Firm* — Antonelli, Terry, Stout & Kraus, LLP.

Oct. 23, 2012 (JP) 2012-025694

(51) **LOC (9) Cl.** **15-03**

(57) **CLAIM**

We claim the ornamental design for a hydraulic excavator, as shown.

(52) **U.S. Cl.**

USPC **D15/22; D15/25**

DESCRIPTION

(58) **Field of Classification Search**

USPC D15/10, 22-26; 37/403, 411, 443;
414/685, 686, 688, 722-724;
180/89.13

See application file for complete search history.

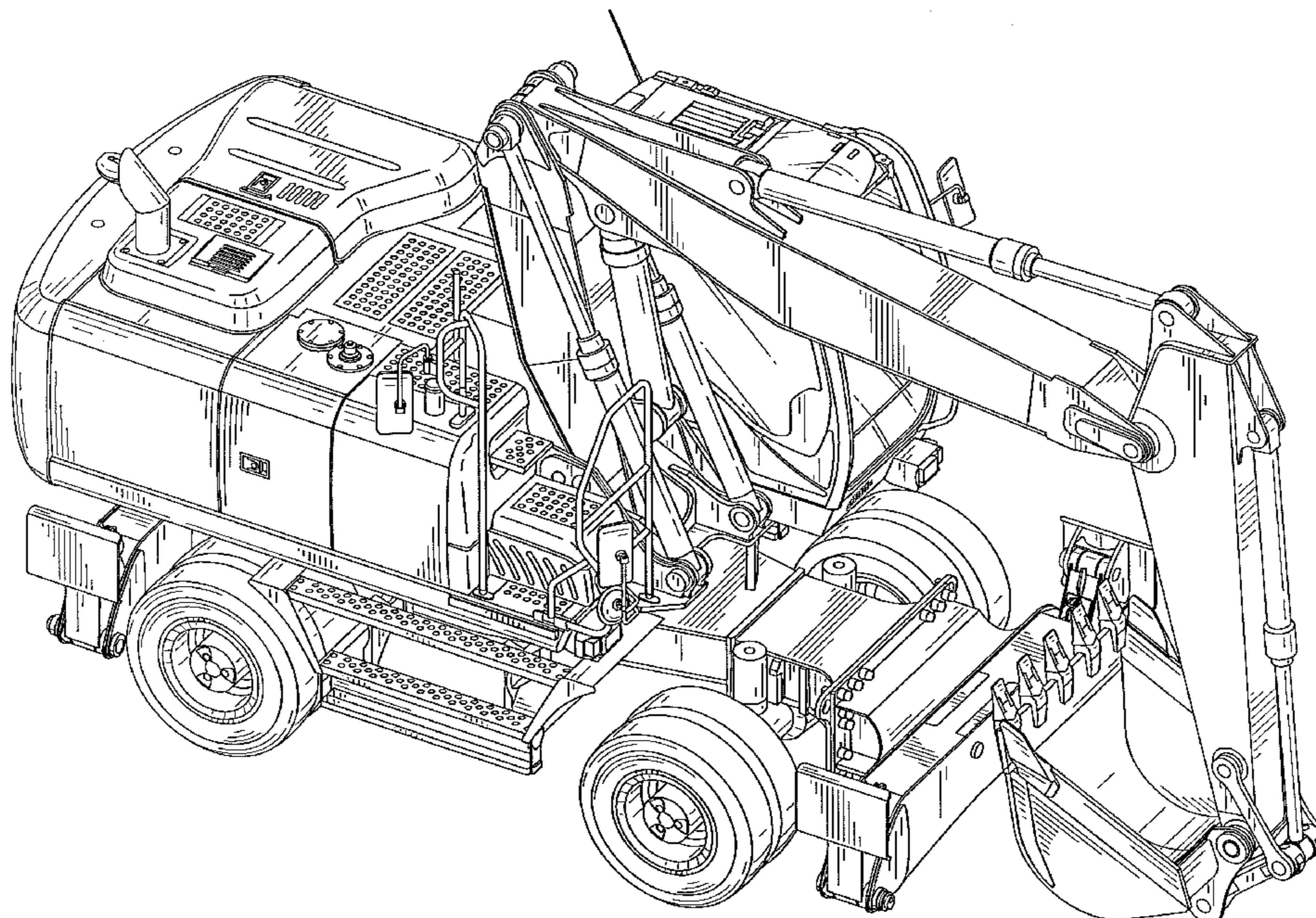
FIG. 1 is a rear, top and left side perspective view of a hydraulic excavator showing our/my new design;
FIG. 2 is a front elevational view thereof;
FIG. 3 is a rear elevational view thereof;
FIG. 4 is a left side elevational view thereof;
FIG. 5 is a right side elevational view thereof;
FIG. 6 is a top plan view thereof; and,
FIG. 7 is a bottom plan view thereof.

(56) **References Cited**

U.S. PATENT DOCUMENTS

4,397,481 A * 8/1983 Dion et al. 280/781
D271,396 S * 11/1983 Inui D15/24

1 Claim, 6 Drawing Sheets



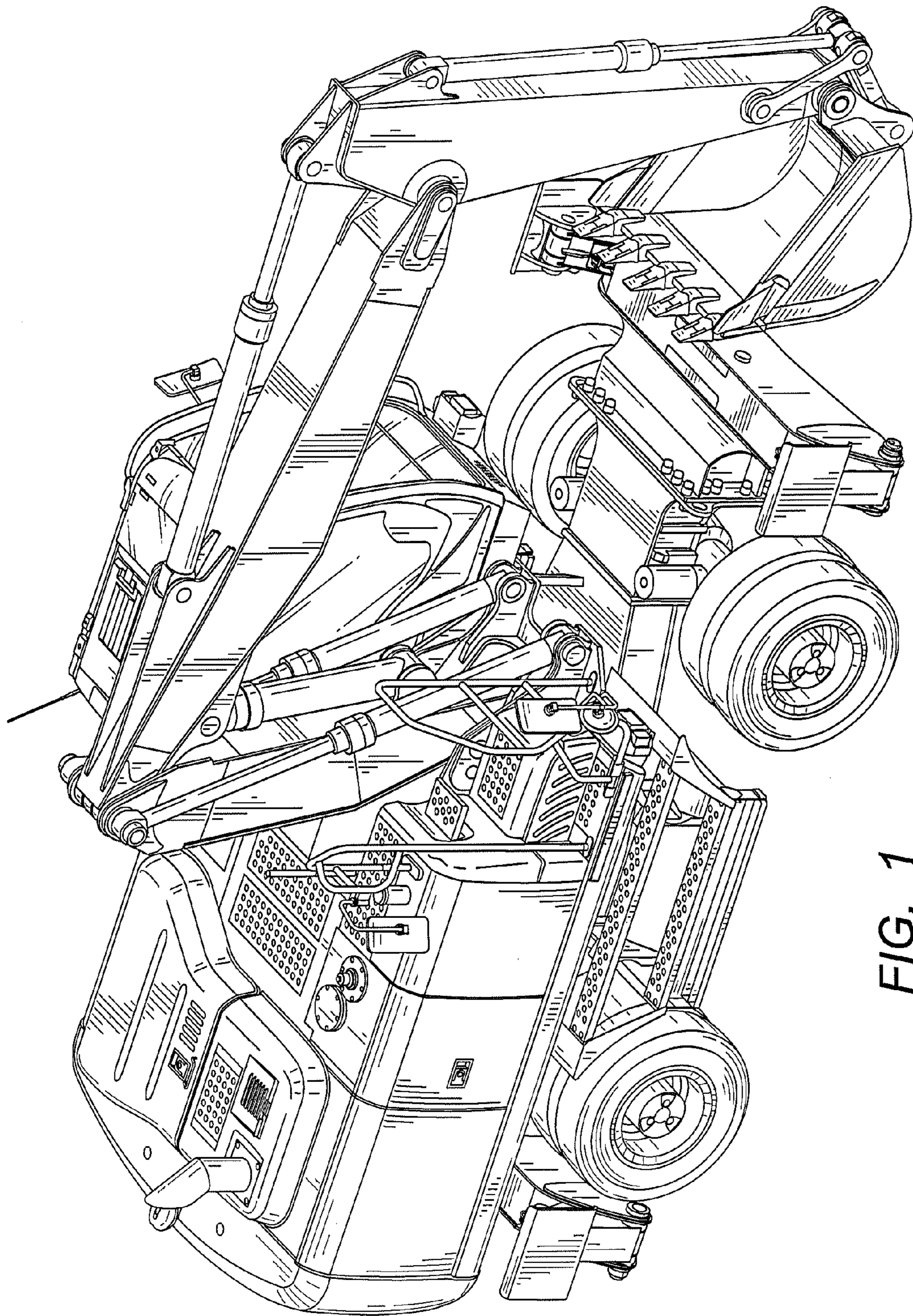


FIG. 1

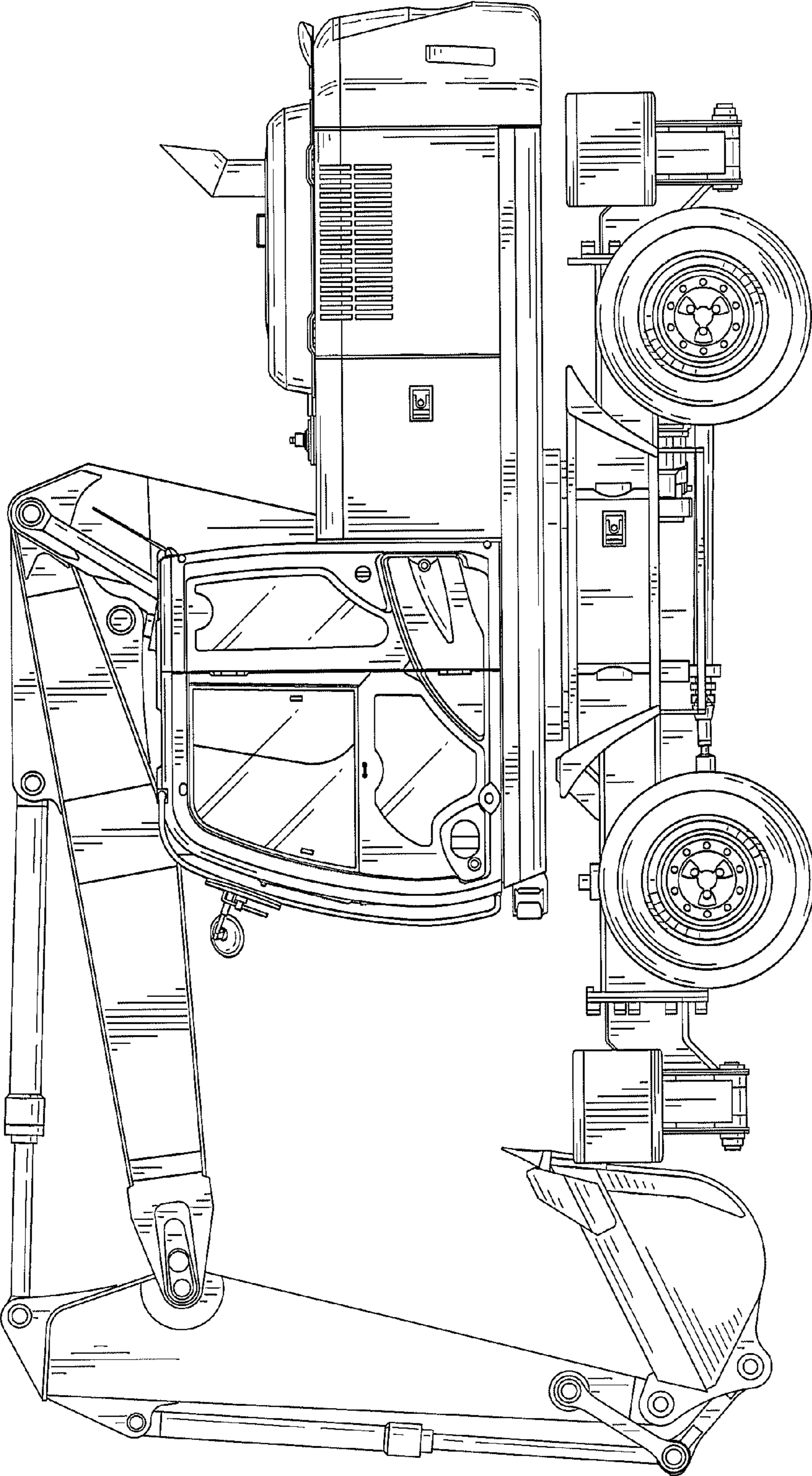


FIG. 2

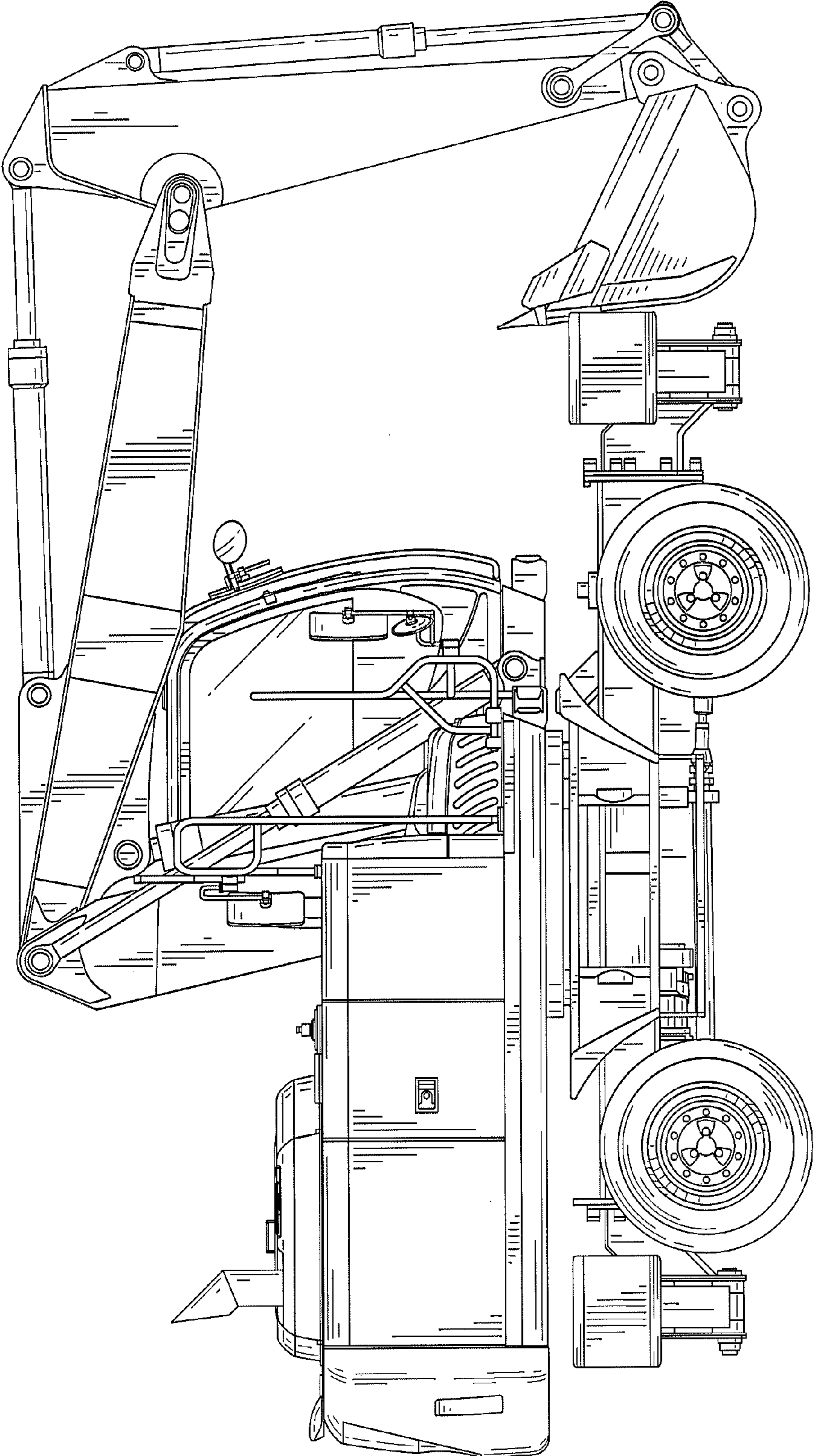


FIG. 3

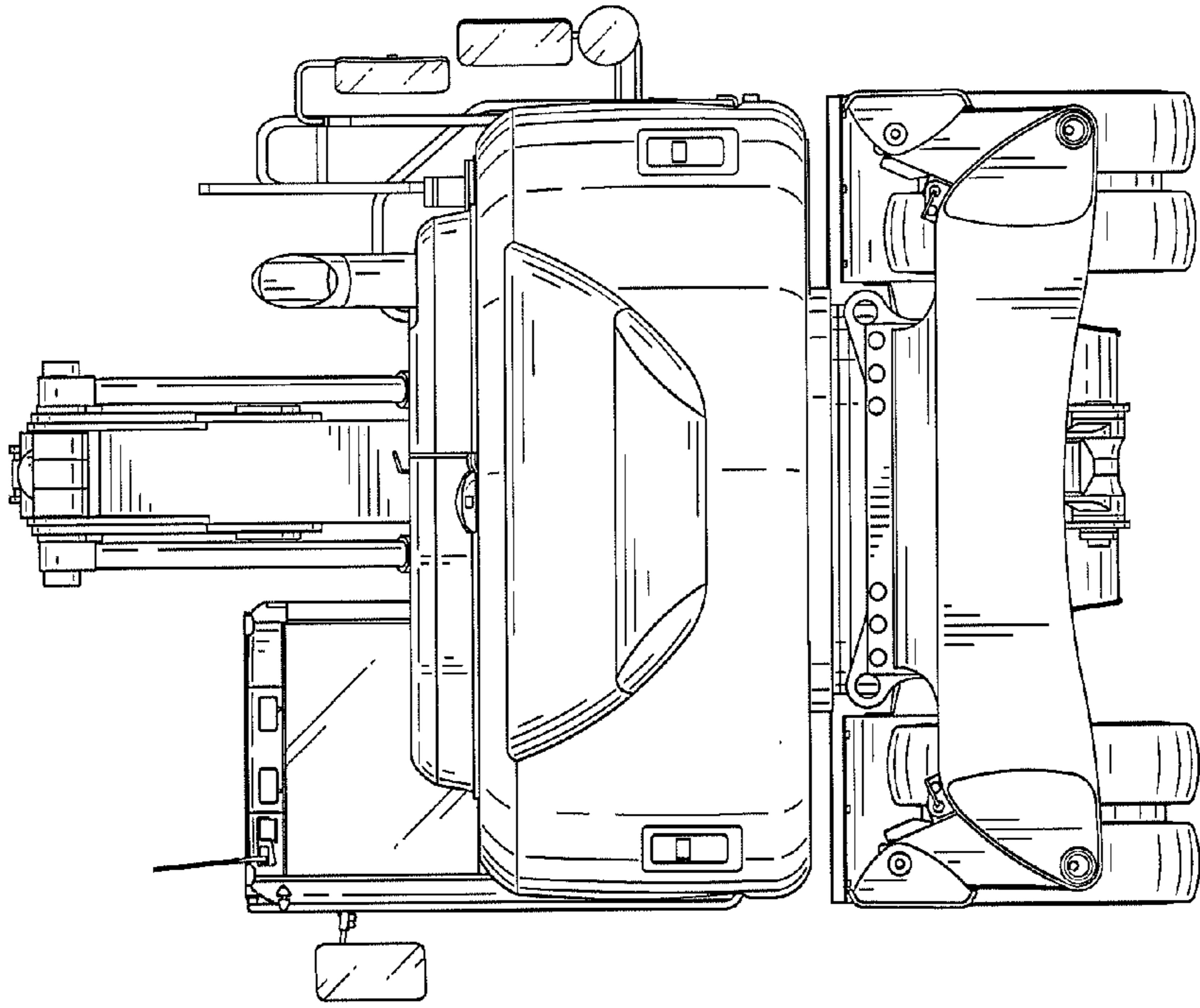


FIG. 5

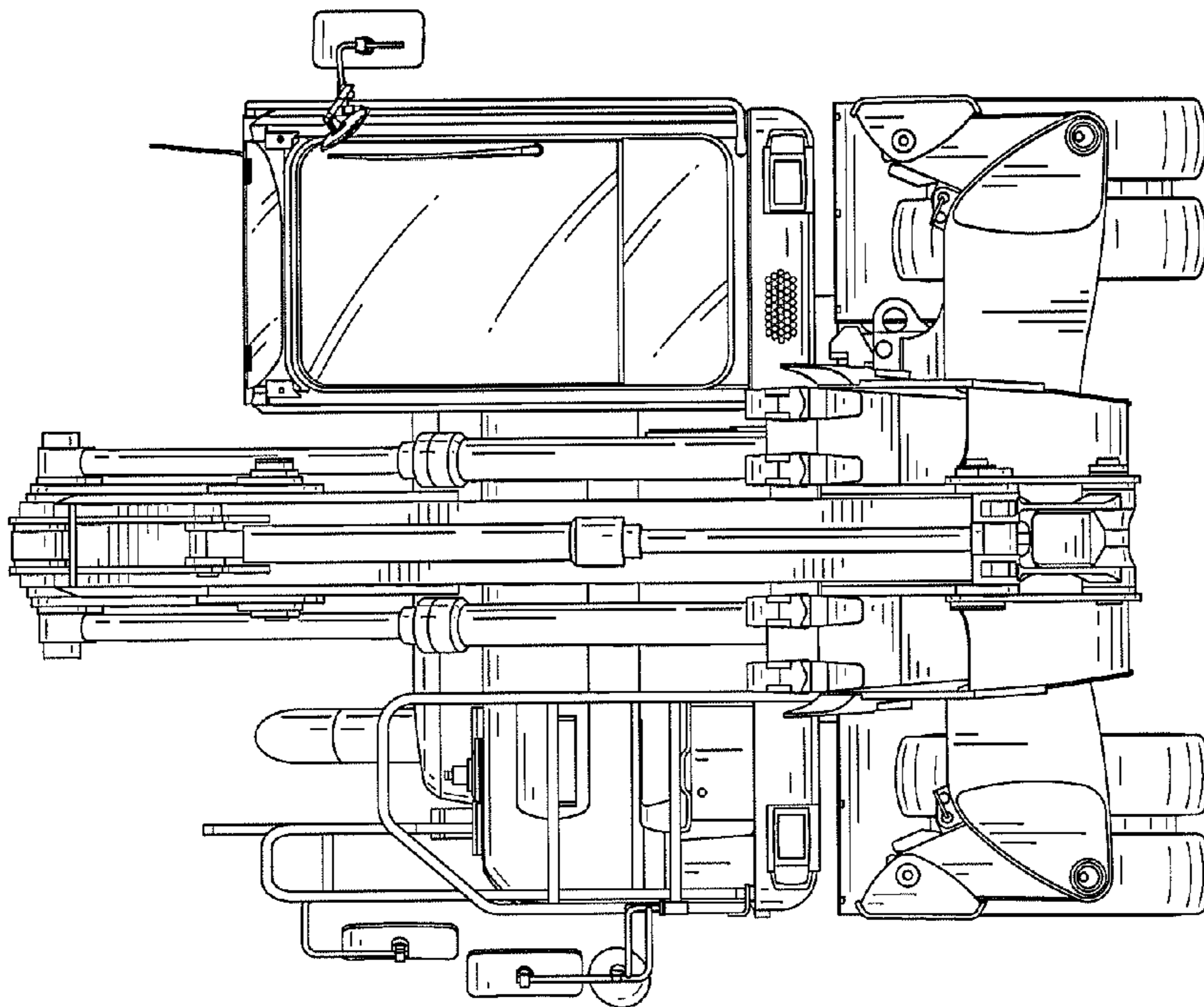


FIG. 4

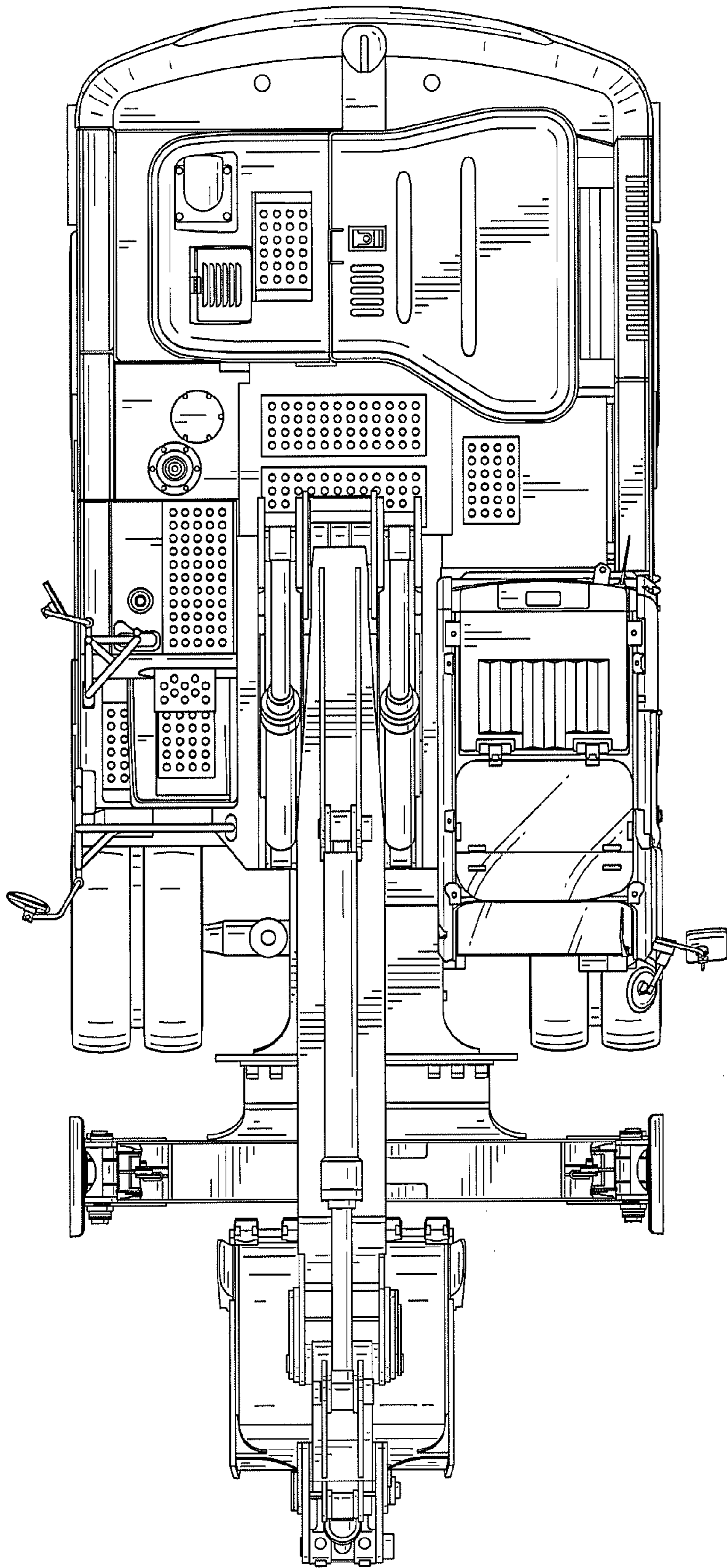


FIG. 6

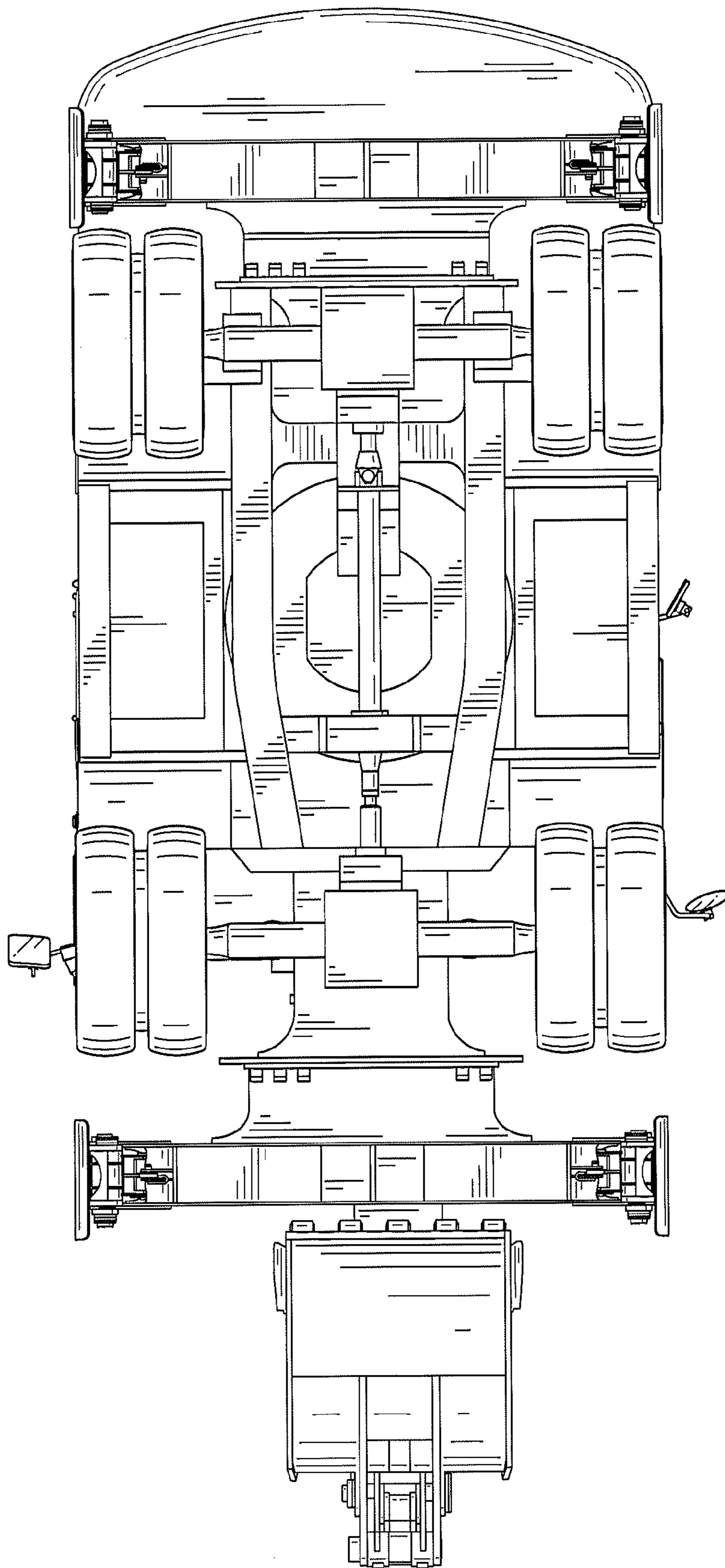


FIG. 7