

US00D692028S

(12) **United States Design Patent**  
**Hiraoka et al.**

(10) **Patent No.:** **US D692,028 S**  
(45) **Date of Patent:** **\*\* Oct. 22, 2013**

(54) **HYDRAULIC EXCAVATOR**  
(71) Applicant: **Hitachi Construction Machinery Co., Ltd.**, Tokyo (JP)  
(72) Inventors: **Kazuhiko Hiraoka**, Kodaira (JP); **Tsuyoshi Ueki**, Omitama (JP); **Yukihiro Tatsuno**, Tsukuba (JP); **Hidefumi Hiramatsu**, Shanghai (CN)

5,544,435 A \* 8/1996 Somero ..... 37/405  
5,590,482 A \* 1/1997 Peterson et al. .... 37/403  
D391,272 S \* 2/1998 Jin et al. .... D15/25  
D409,629 S \* 5/1999 Miyaoka et al. .... D15/25  
D437,602 S \* 2/2001 Hiraoka et al. .... D15/25  
D460,975 S \* 7/2002 Yanagida et al. .... D15/25  
D462,973 S \* 9/2002 Tamaru et al. .... D15/25  
D462,974 S \* 9/2002 Yanagida et al. .... D15/25  
D534,552 S \* 1/2007 Yanagida ..... D15/25

(73) Assignee: **Hitachi Construction Machinery Co., Ltd.**, Tokyo (JP)  
(\*\*) Term: **14 Years**

FOREIGN PATENT DOCUMENTS  
CN 301611810 S 7/2011  
CN 301633870 S 8/2011  
JP D 1311732(S) 10/2007

(21) Appl. No.: **29/451,881**  
(22) Filed: **Apr. 10, 2013**

\* cited by examiner  
*Primary Examiner* — Mark Goodwin  
(74) *Attorney, Agent, or Firm* — Antonelli, Terry, Stout & Kraus, LLP.

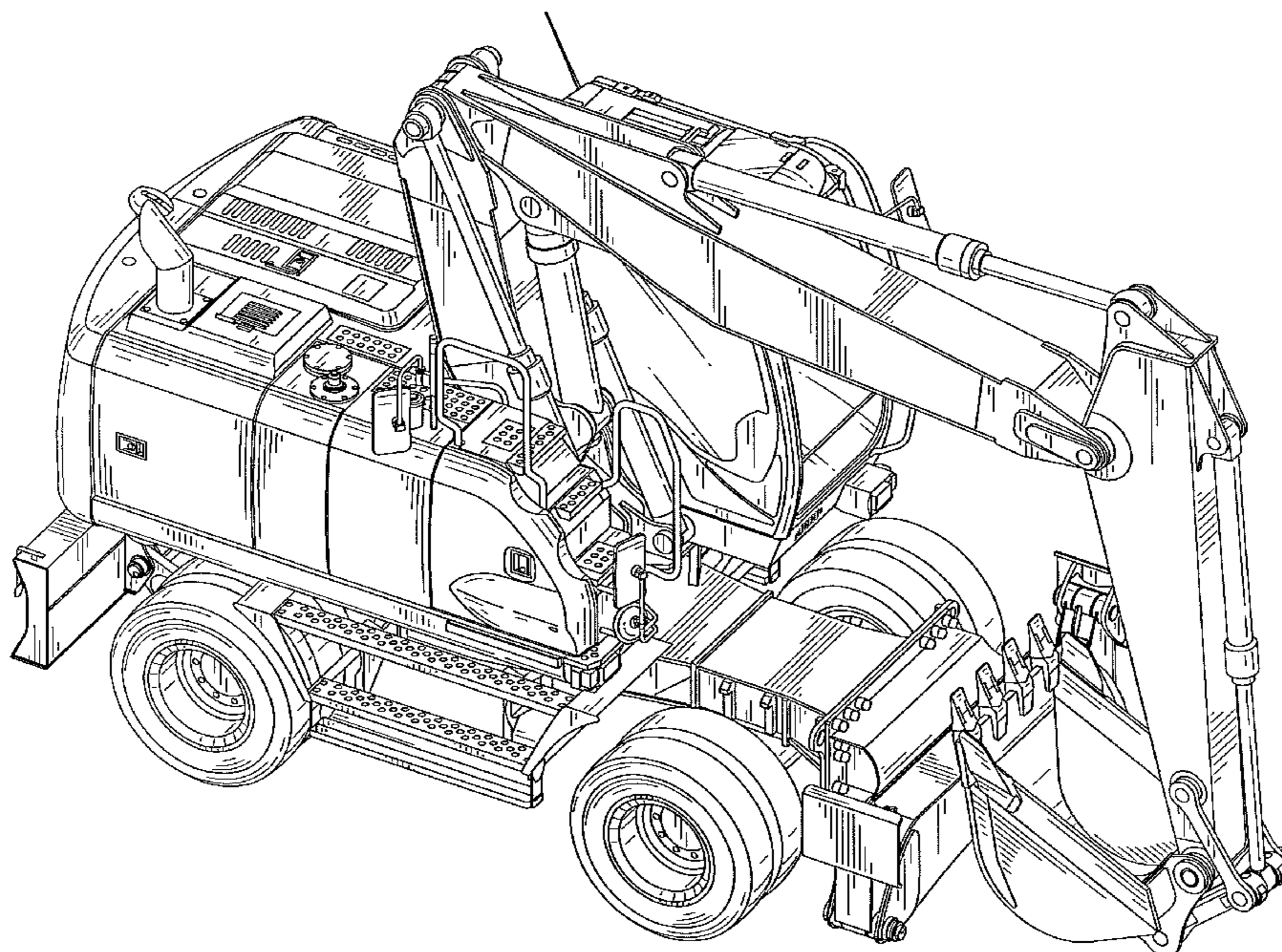
(30) **Foreign Application Priority Data**  
Oct. 23, 2012 (JP) ..... 2012-025693  
(51) **LOC (9) Cl.** ..... **15-03**  
(52) **U.S. Cl.**  
USPC ..... **D15/22; D15/25**  
(58) **Field of Classification Search**  
USPC ..... D15/10, 22-26; 37/403, 411, 443;  
414/685, 686, 688, 722-724;  
180/89.13  
See application file for complete search history.

(57) **CLAIM**  
We claim the ornamental design for a hydraulic excavator, as shown.

(56) **References Cited**  
U.S. PATENT DOCUMENTS  
4,397,481 A \* 8/1983 Dion et al. .... 280/781  
D271,396 S \* 11/1983 Inui ..... D15/24

**DESCRIPTION**  
FIG. 1 is a rear, top and left side perspective view of a hydraulic excavator showing our/my new design;  
FIG. 2 is a front elevational view thereof;  
FIG. 3 is a rear elevational view thereof;  
FIG. 4 is a left side elevational view thereof;  
FIG. 5 is a right side elevational view thereof;  
FIG. 6 is a top plan view thereof; and,  
FIG. 7 is a bottom plan view thereof.

**1 Claim, 6 Drawing Sheets**



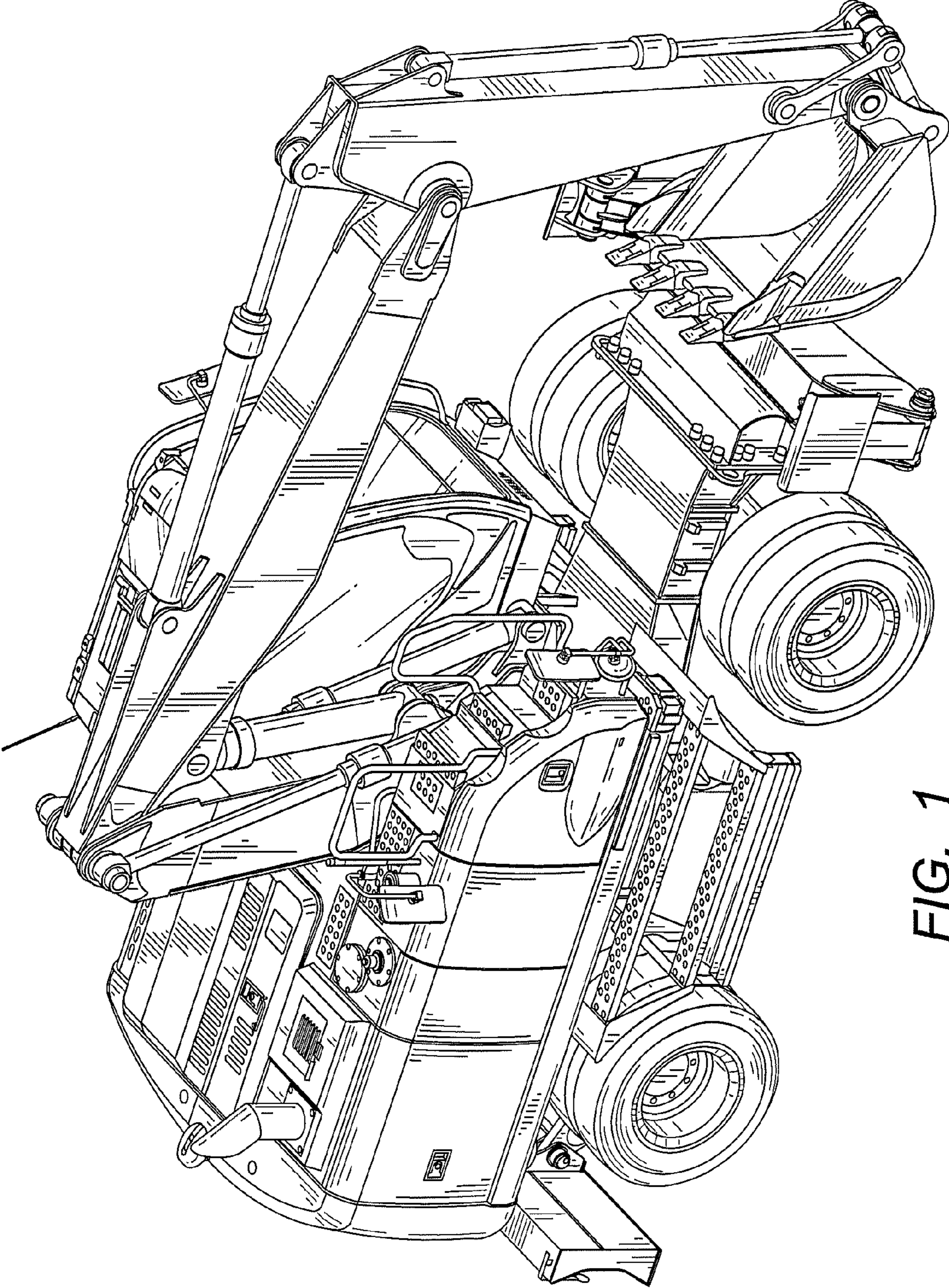


FIG. 1

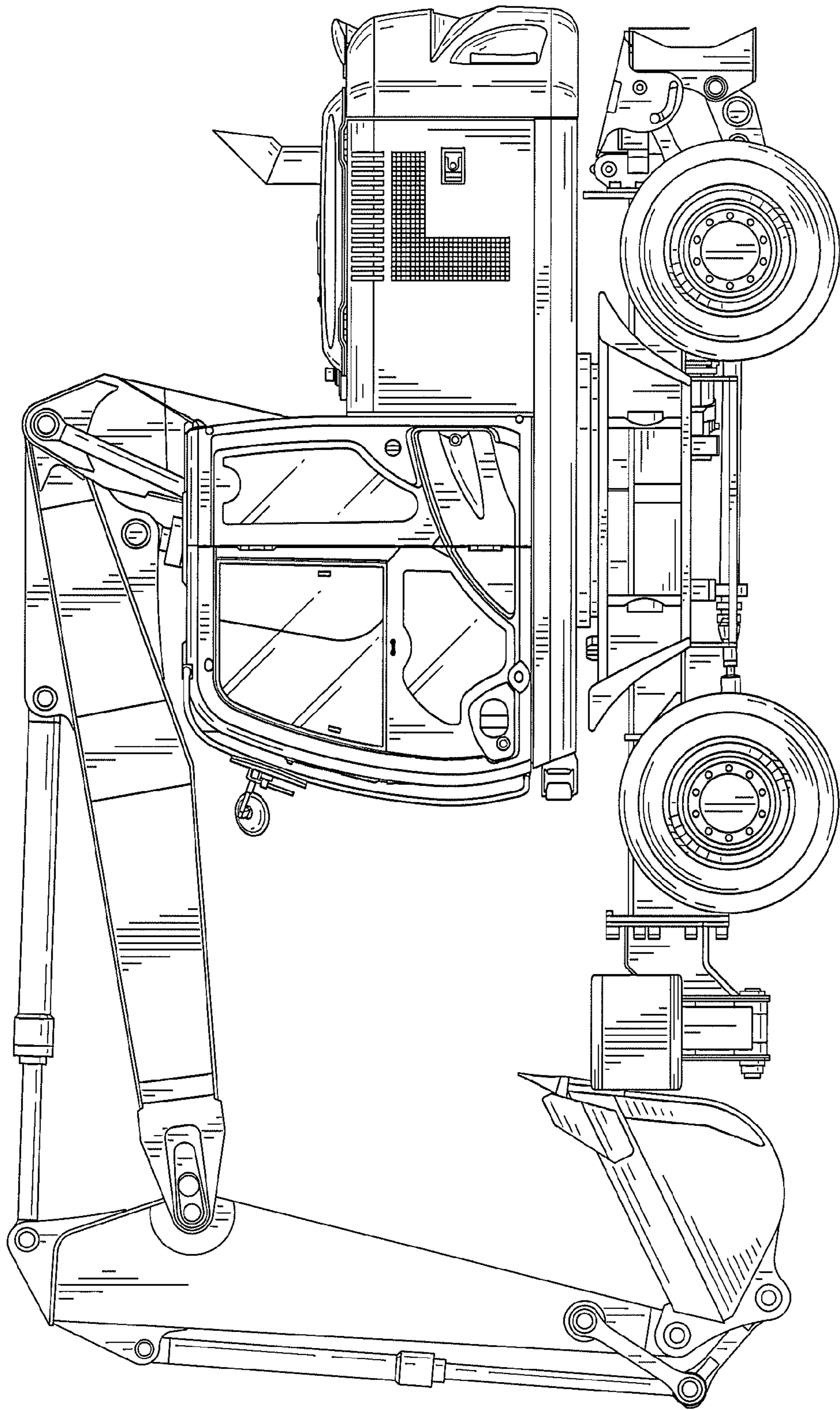


FIG. 2

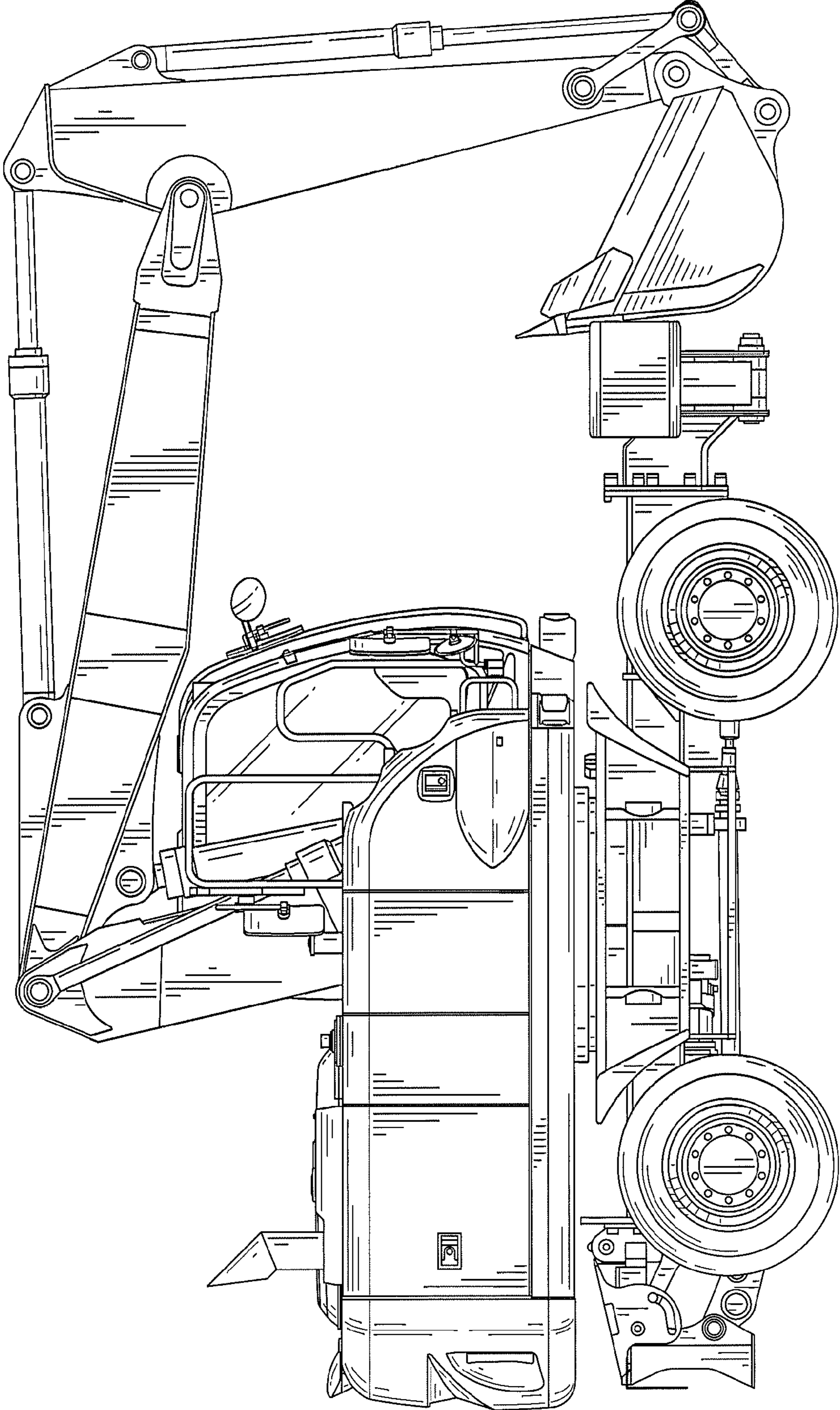


FIG. 3

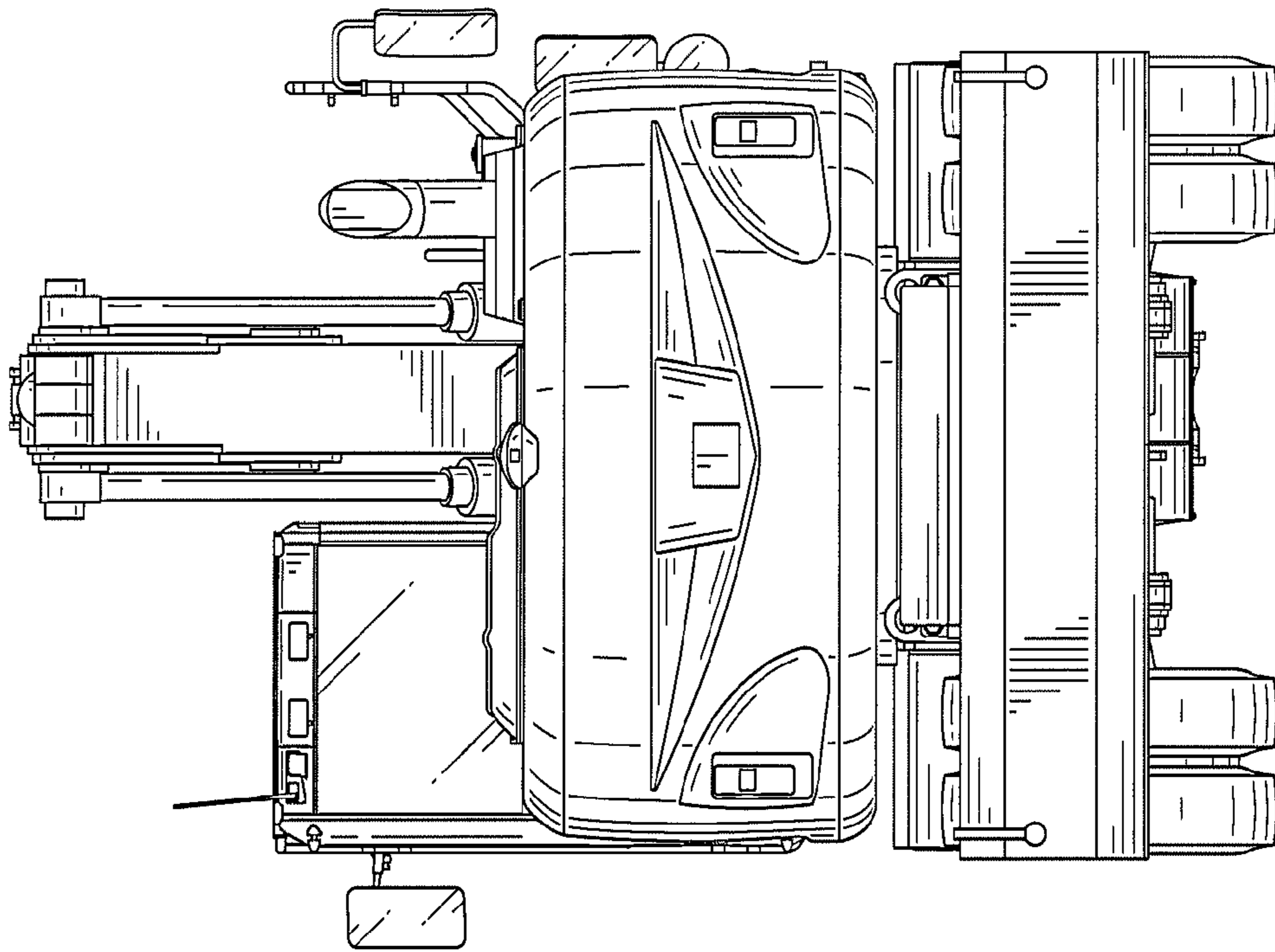


FIG. 5

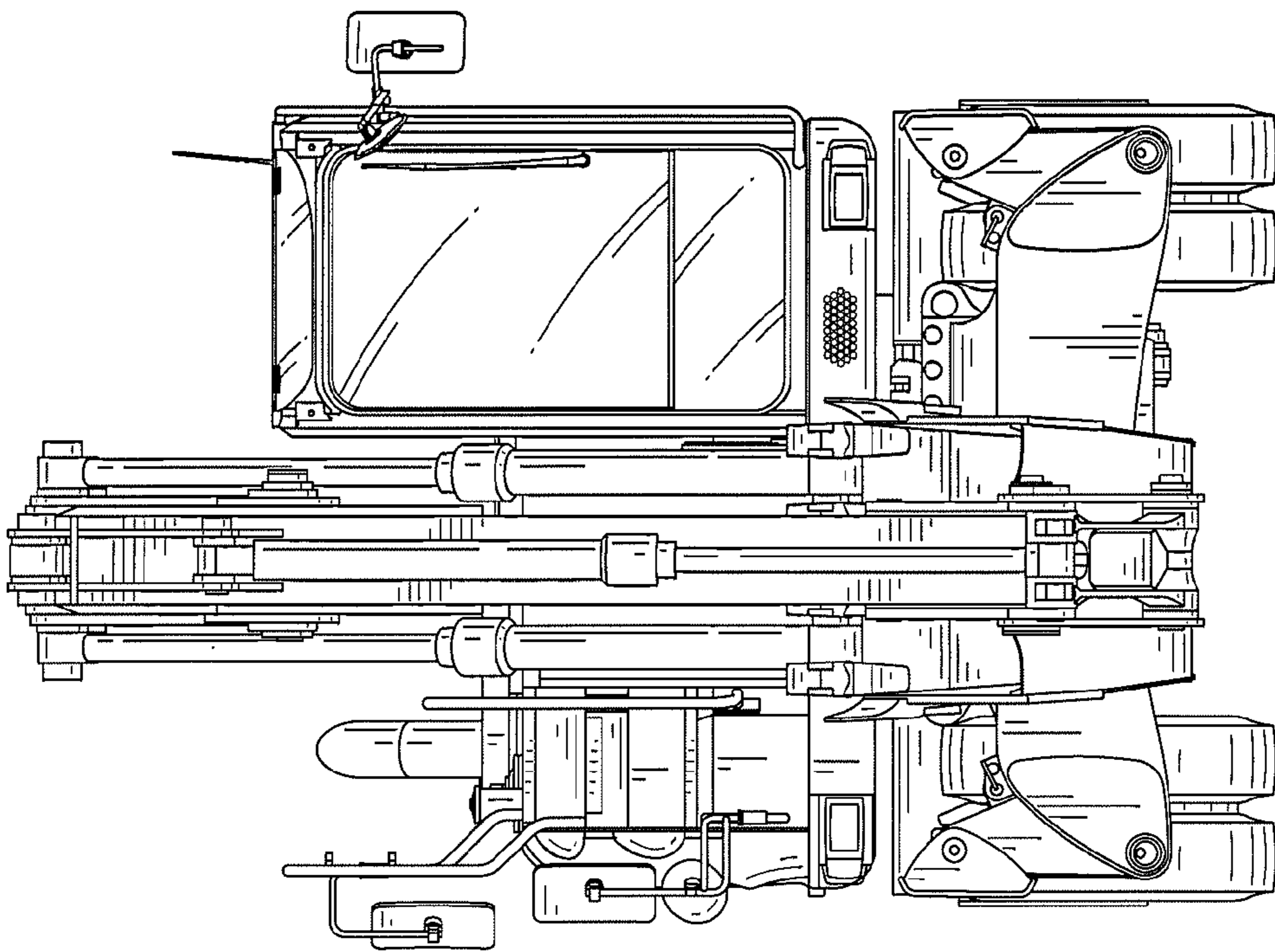


FIG. 4

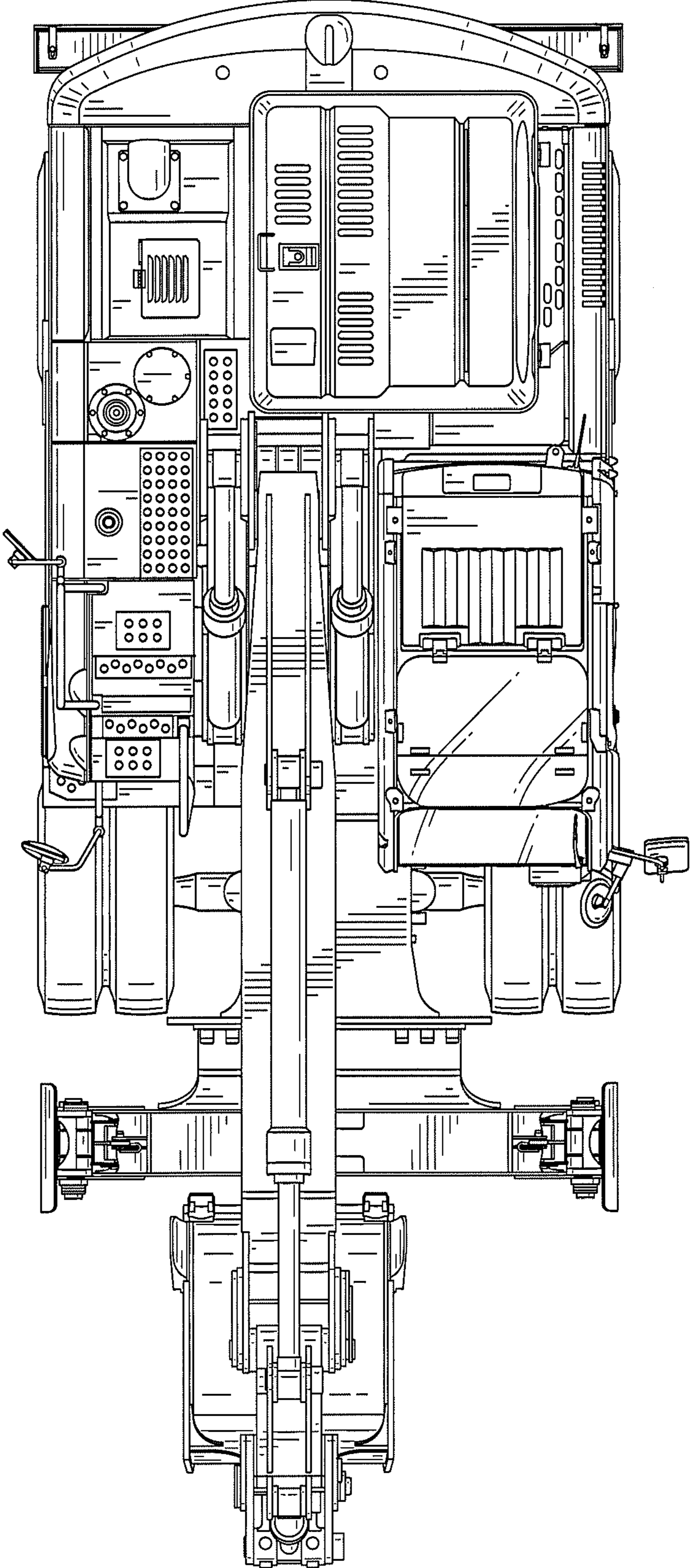


FIG. 6

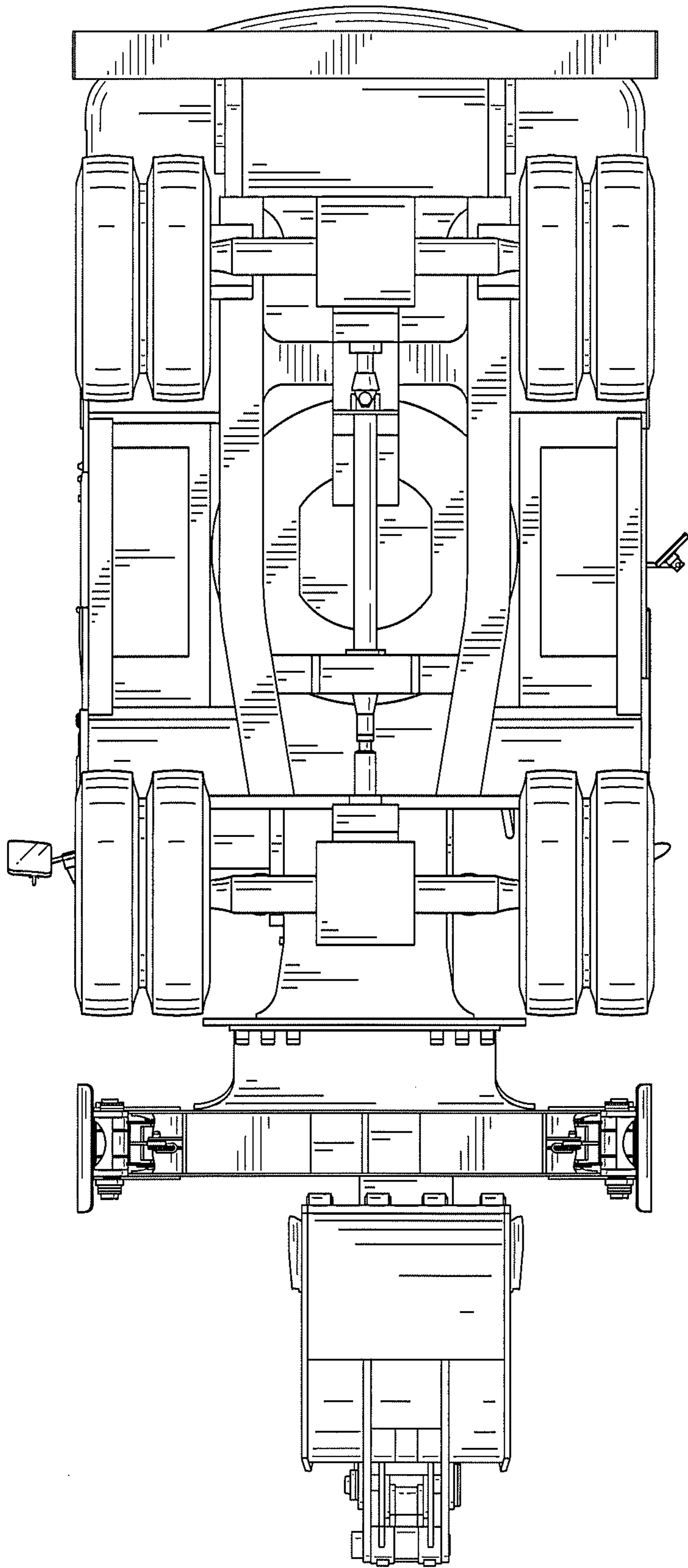


FIG. 7