

US00D692027S

(12) **United States Design Patent**
Martin et al.

(10) **Patent No.:** **US D692,027 S**
(45) **Date of Patent:** **** Oct. 22, 2013**

(54) **PUSH-BUTTON STARTER FOR A
GROUND-WORKING IMPLEMENT**

(71) Applicant: **The Toro Company**, Bloomington, MN
(US)

(72) Inventors: **David J. Martin**, Eden Prairie, MN
(US); **Chris A. Wadzinski**, Inver Grove
Heights, MN (US)

(73) Assignee: **The Toro Company**, Bloomington, MN
(US)

(**) Term: **14 Years**

(21) Appl. No.: **29/444,358**

(22) Filed: **Jan. 30, 2013**

(51) **LOC (9) Cl.** **15-03**

(52) **U.S. Cl.**
USPC **D15/17**

(58) **Field of Classification Search**
USPC D15/11, 17, 18, 28, 12, 14; 56/10.5,
56/10.1, 10.8; 290/30 R; 123/179.1
See application file for complete search history.

(56) **References Cited**

U.S. PATENT DOCUMENTS

3,696,593	A *	10/1972	Thorud et al.	56/17.5
D320,731	S *	10/1991	Pink et al.	D8/107
D322,791	S *	12/1991	Wada et al.	D15/17
5,444,199	A *	8/1995	Burchard et al.	200/43.04
D424,578	S	5/2000	Friberg et al.	
D436,114	S *	1/2001	Beugelsdyk et al.	D15/17
6,198,058	B1 *	3/2001	Graninger et al.	200/50.02
6,622,683	B2 *	9/2003	Gracyalny et al.	123/185.14
7,071,436	B2	7/2006	Coates	
D571,826	S *	6/2008	Tanaka et al.	D15/17
7,730,577	B2 *	6/2010	Wood	15/410

(Continued)

FOREIGN PATENT DOCUMENTS

GB 2 120 016 A 11/1983

OTHER PUBLICATIONS

U.S. Appl. No. 13/753,697, filed Jan. 30, 2013, Wadzinski.

(Continued)

Primary Examiner — Mark Goodwin

(74) *Attorney, Agent, or Firm* — Mueting, Raasch & Gebhardt, P.A.

(57) **CLAIM**

The ornamental design for a push-button starter for a ground-working implement, as shown and described.

DESCRIPTION

The subject matter disclosed herein is related to subject matter disclosed in U.S. patent application Ser. No. 13/753,697, filed on Jan. 30, 2013, which is incorporated herein by reference in its entirety.

FIG. 1 is an upper left front perspective view of a push-button starter for a ground-working implement (e.g., a rotary lawn mower) showing the new design;

FIG. 2 is an enlarged, upper right rear perspective view thereof;

FIG. 3 is a right side elevation view thereof;

FIG. 4 is a left side elevation view thereof;

FIG. 5 is a top plan view thereof;

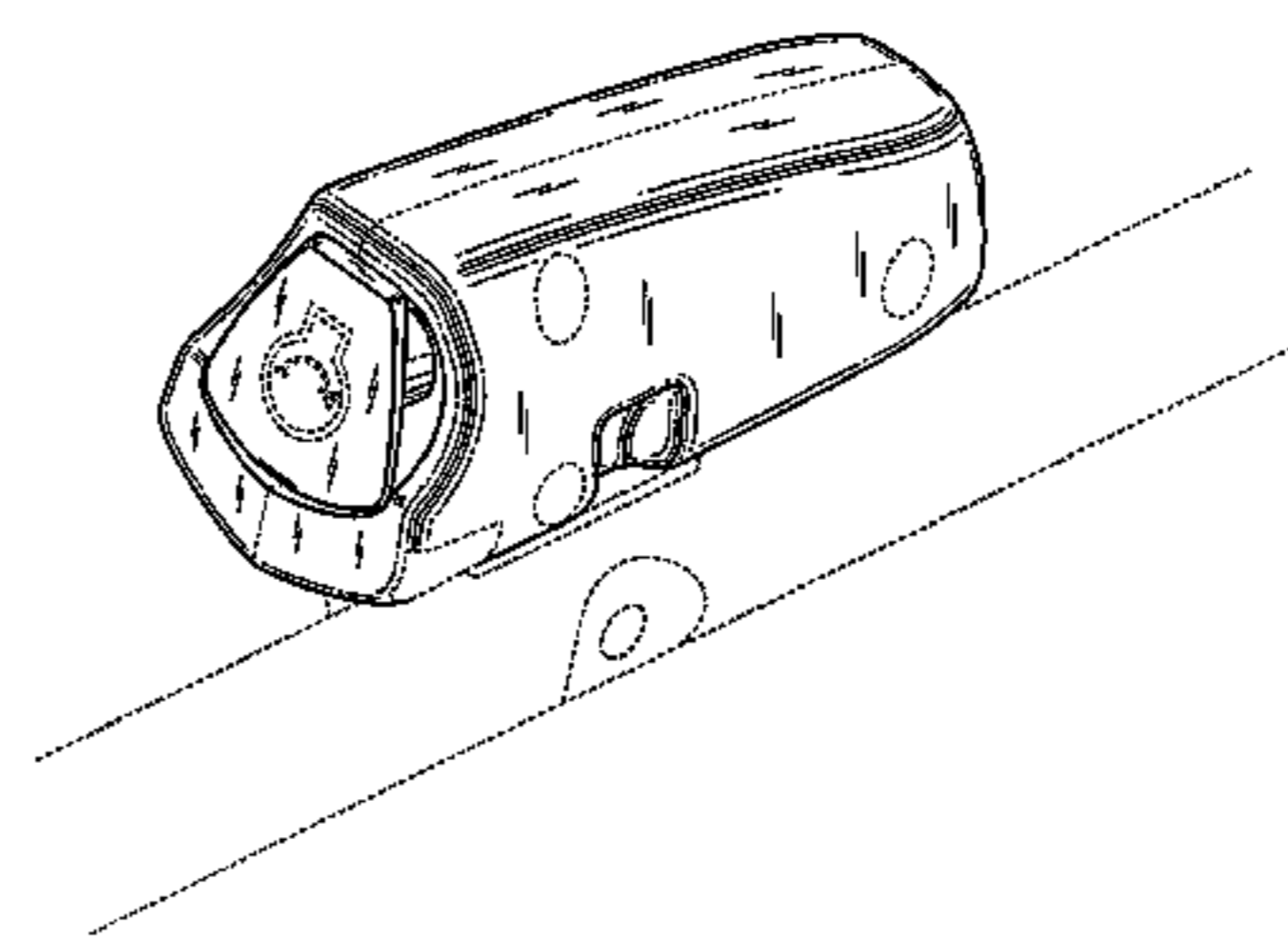
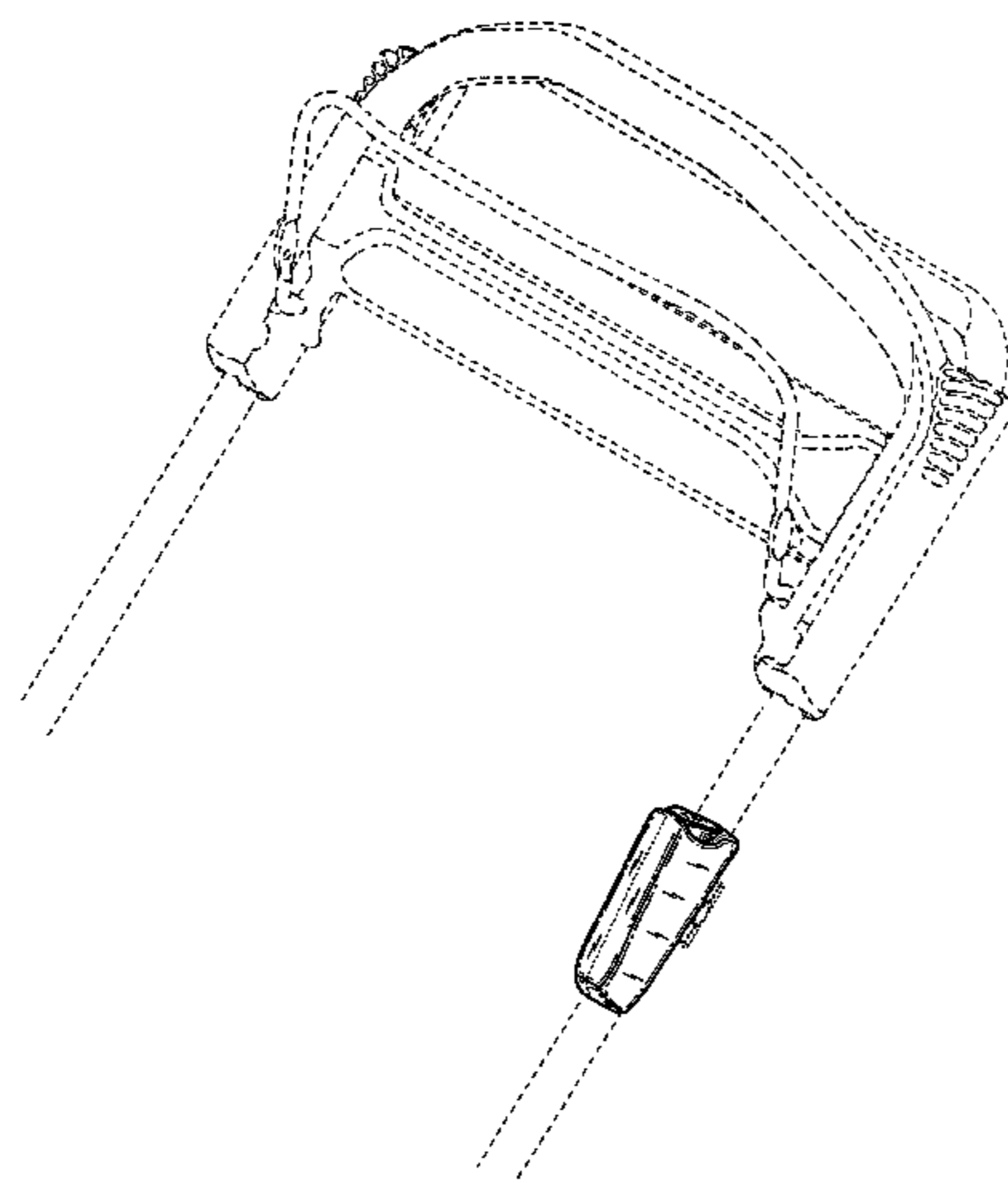
FIG. 6 is a bottom plan view thereof;

FIG. 7 is a front elevation view thereof; and,

FIG. 8 is a rear elevation view thereof.

The broken line showing of: the lawn mower handle shown in FIGS. 1 and 2; mounting portions of the starter illustrated in FIGS. 1-4 and 6-8; and operator indicia on the push button shown in FIGS. 1, 2, 5, and 7 depict environment, while the openings in the starter shown in broken lines in FIGS. 2, 3, and 5-8, represent unclaimed boundaries. The features shown in broken lines in the figures are for illustrative purposes only and form no part of the claimed design.

1 Claim, 5 Drawing Sheets



(56)

References Cited

U.S. PATENT DOCUMENTS

D620,438	S *	7/2010	Lewis et al.	D13/122
D624,563	S *	9/2010	Lowe et al.	D15/18
7,886,706	B2	2/2011	Grybush	
D648,354	S *	11/2011	Hattori et al.	D15/17
D648,754	S *	11/2011	Yuzuriha	D15/17
8,168,899	B2 *	5/2012	Imai et al.	200/43.03
8,171,907	B2	5/2012	Koenen et al.	
2001/0008130	A1 *	7/2001	Gracyalny et al.	123/185.14
2001/0037785	A1 *	11/2001	Gracyalny et al.	123/185.14
2002/0011227	A1 *	1/2002	Gracyalny	123/185.14
2005/0023834	A1 *	2/2005	Coates	290/38 R
2010/0051425	A1 *	3/2010	Imai et al.	200/43.01
2013/0111864	A1 *	5/2013	Hansen et al.	56/10.8

OTHER PUBLICATIONS

“Dad Find | Sears Craftsman 22" Rear Drive Self-Propelled Electric Start EZ Lawn Mower” [online]. Apr. 2, 2012. [retrieved on Mar. 27, 2013]. Retrieved from the Internet<URL:http://foodfamilyfinds.com/sears-craftsman-22-rear-drive-self-propelled-electric-start-ez-lawn-mower-review/>; 6 pgs.

“Craftsman 190cc* 22" Rear Drive Self-Propelled EZ Lawn Mower 50 states,” [online], Sears Model No. 37093, including partial enlarged view. Nov. 9, 2011. [retrieved on Mar. 27, 2013]. Retrieved from the Internet: <URL: hftp://www.sears.com/shc/s/p_10153_12605_07137093000P?prdNo=4>; 5 pages plus 1 page enlarged view, 6 pages total.

* cited by examiner

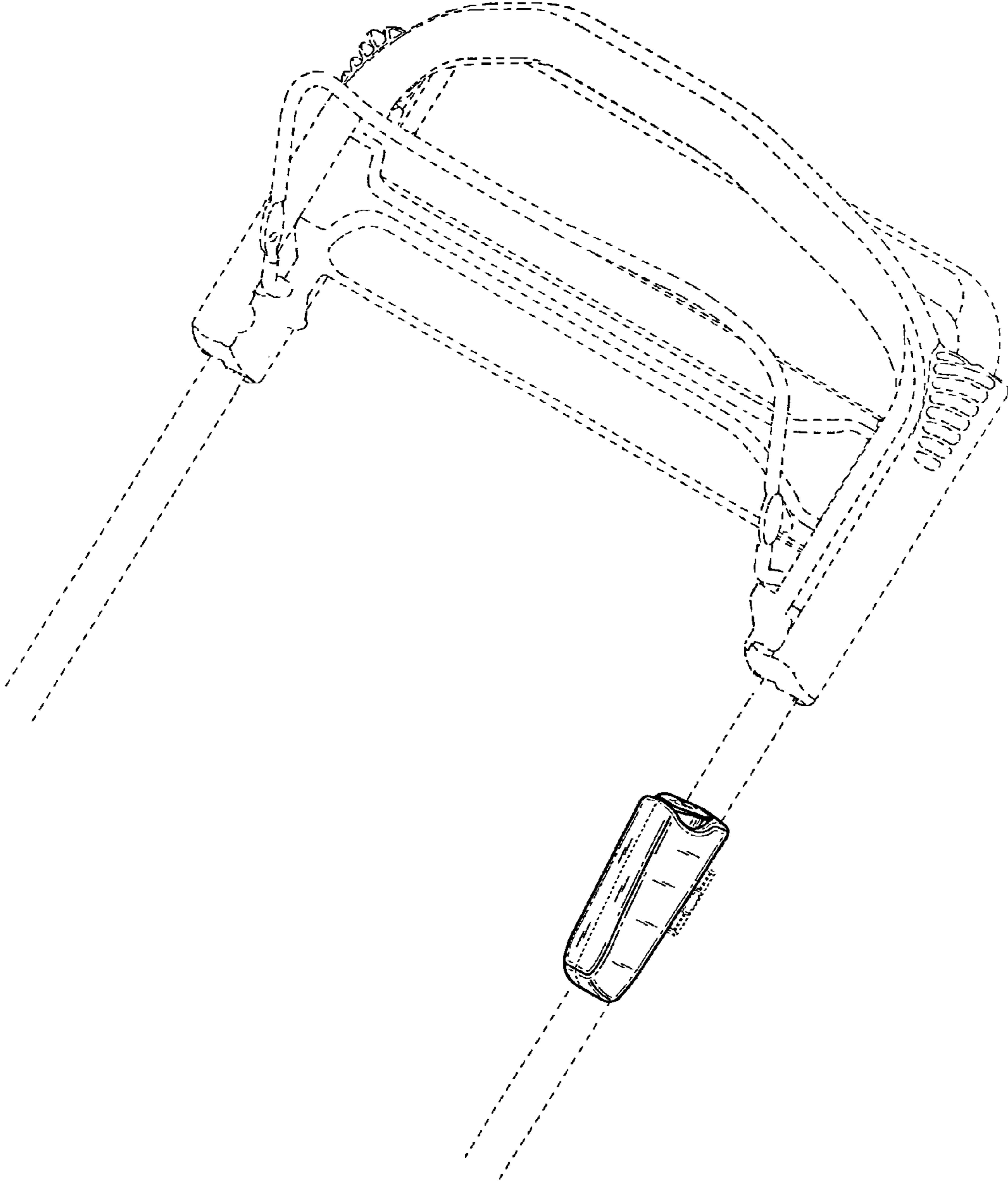


Fig. 1

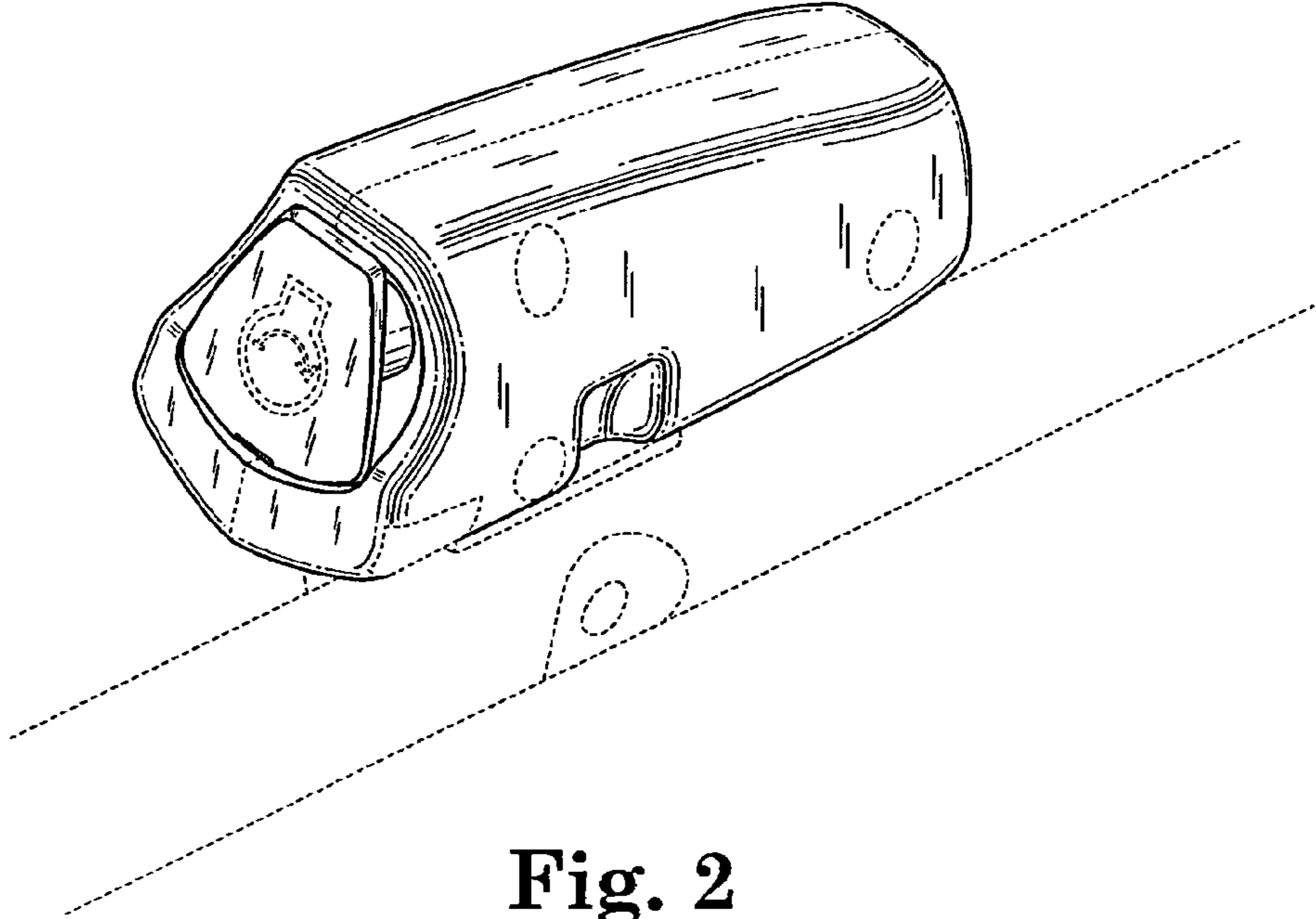


Fig. 2

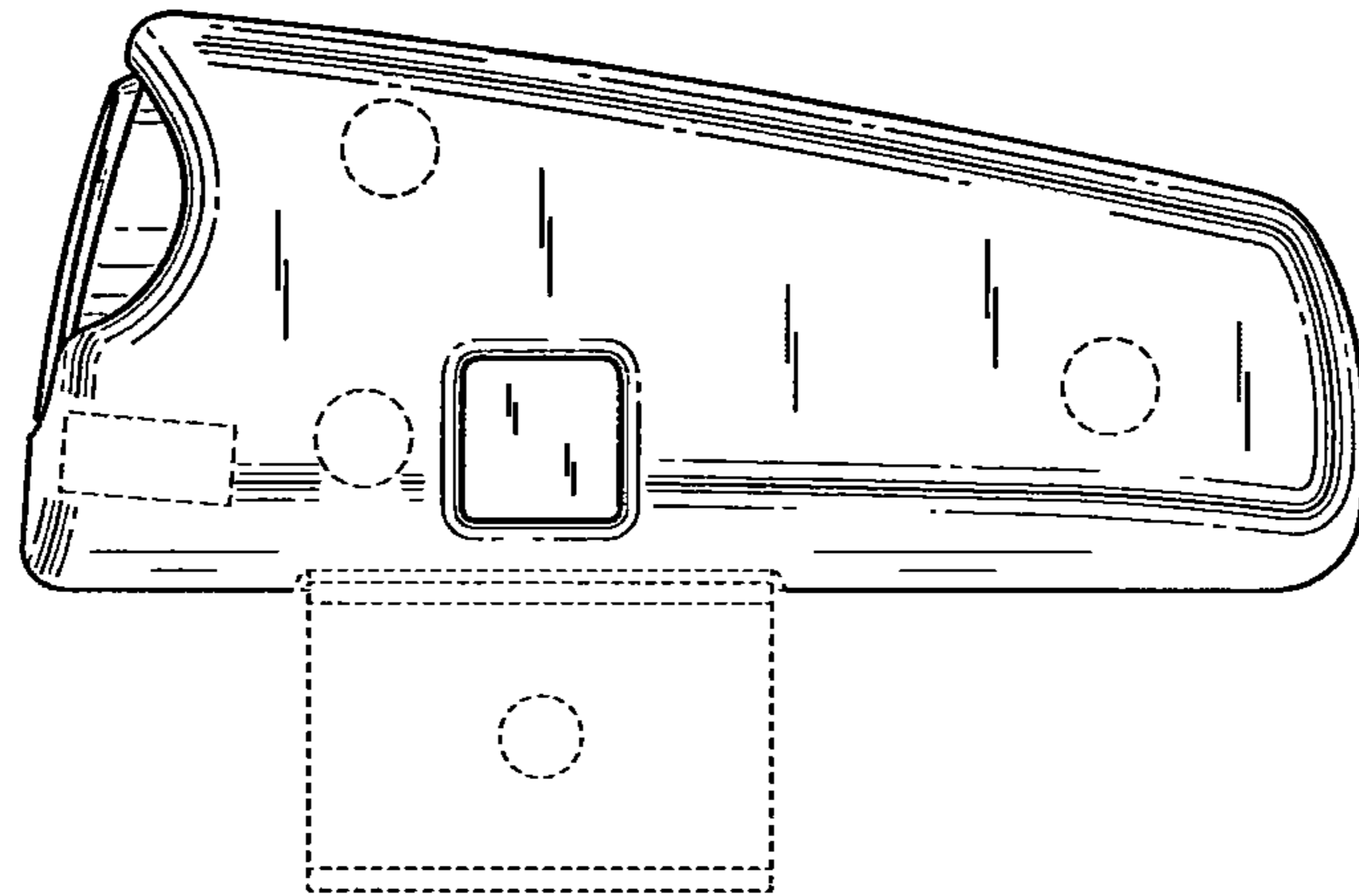


Fig. 3

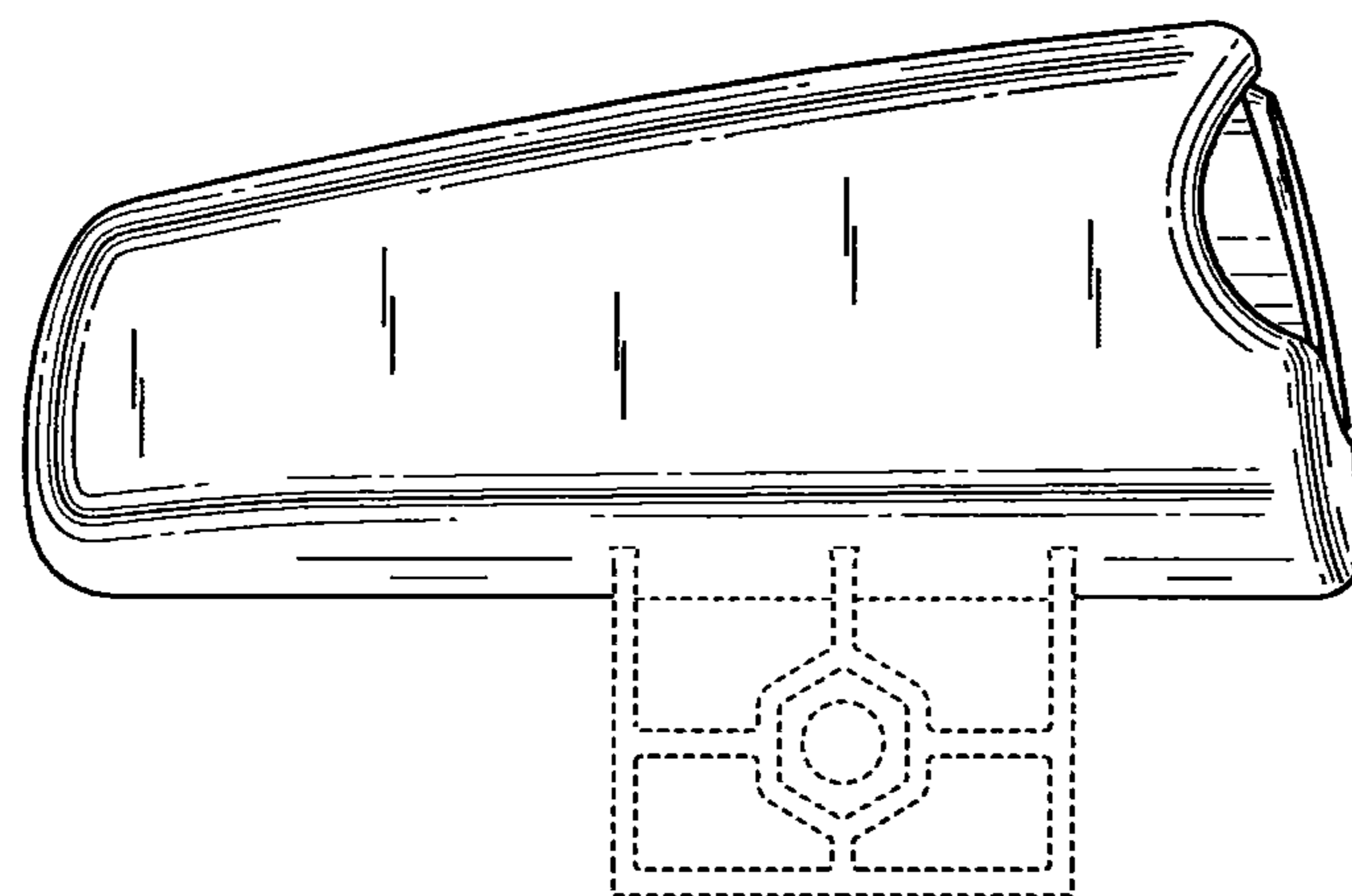


Fig. 4

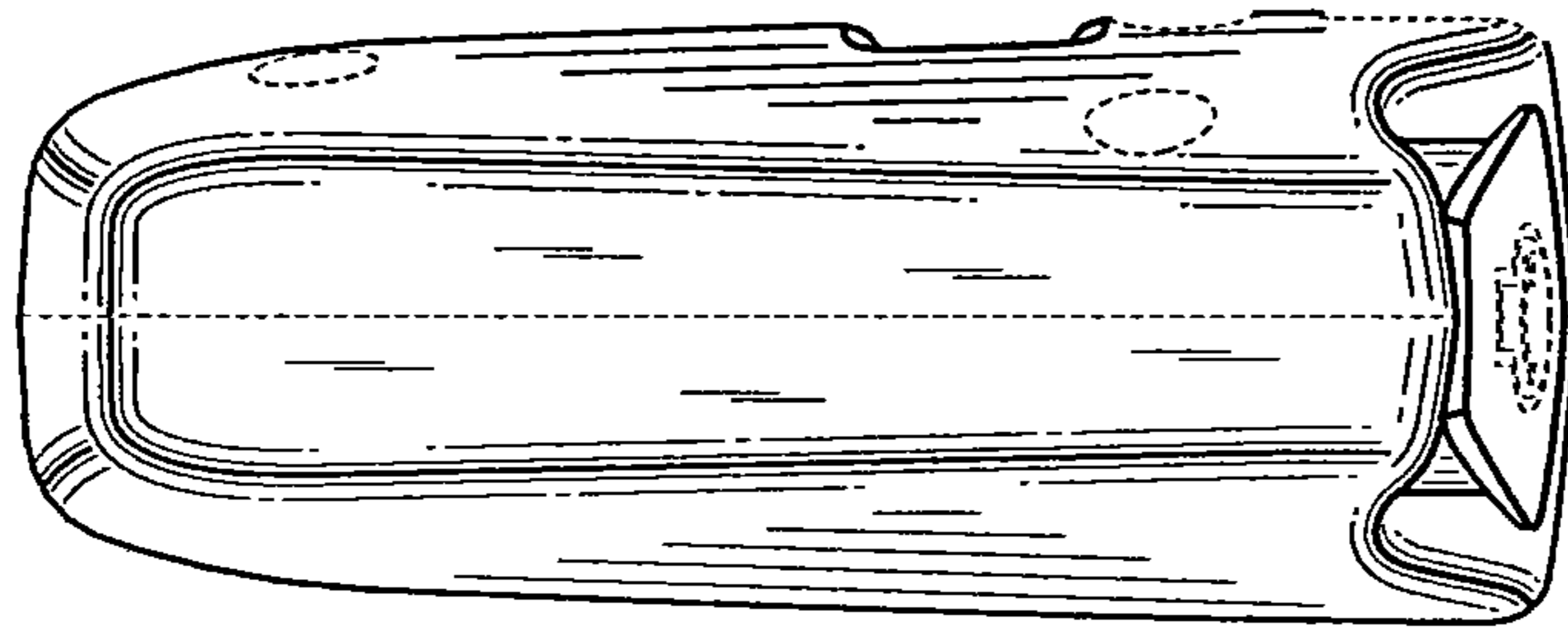


Fig. 5

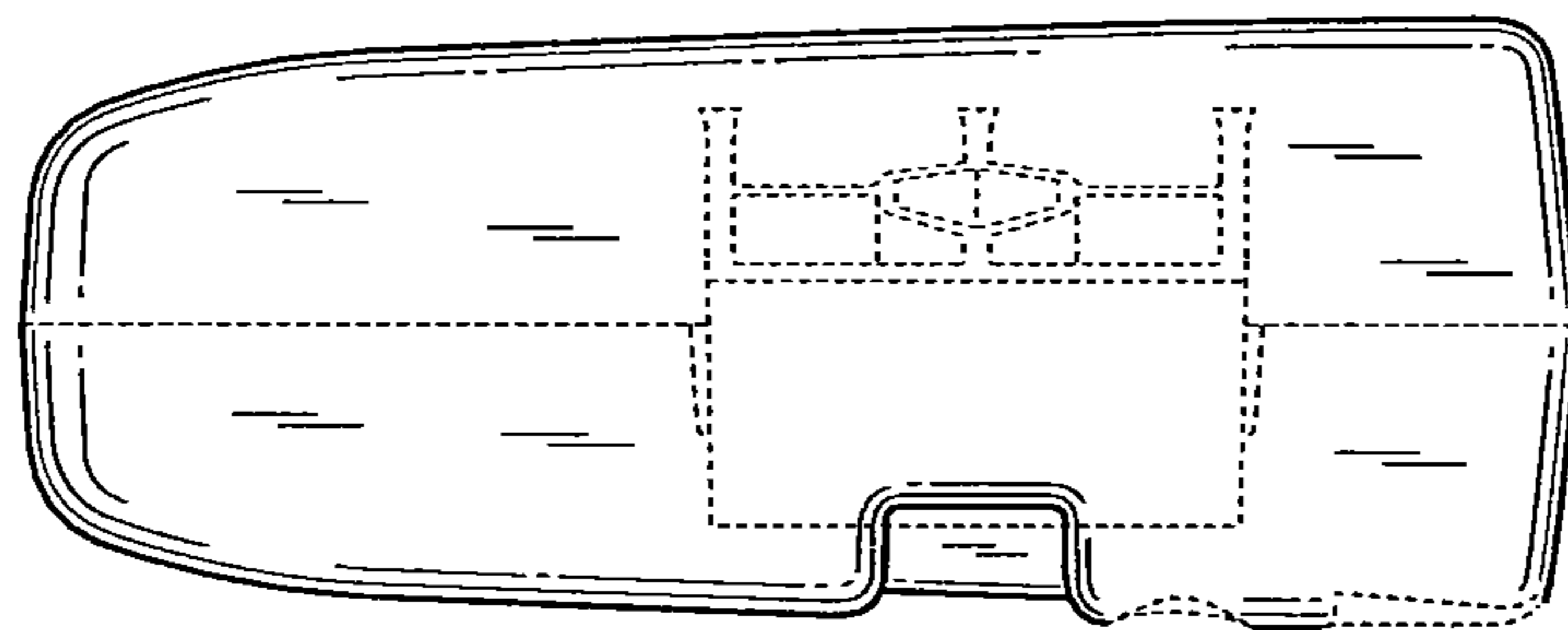


Fig. 6

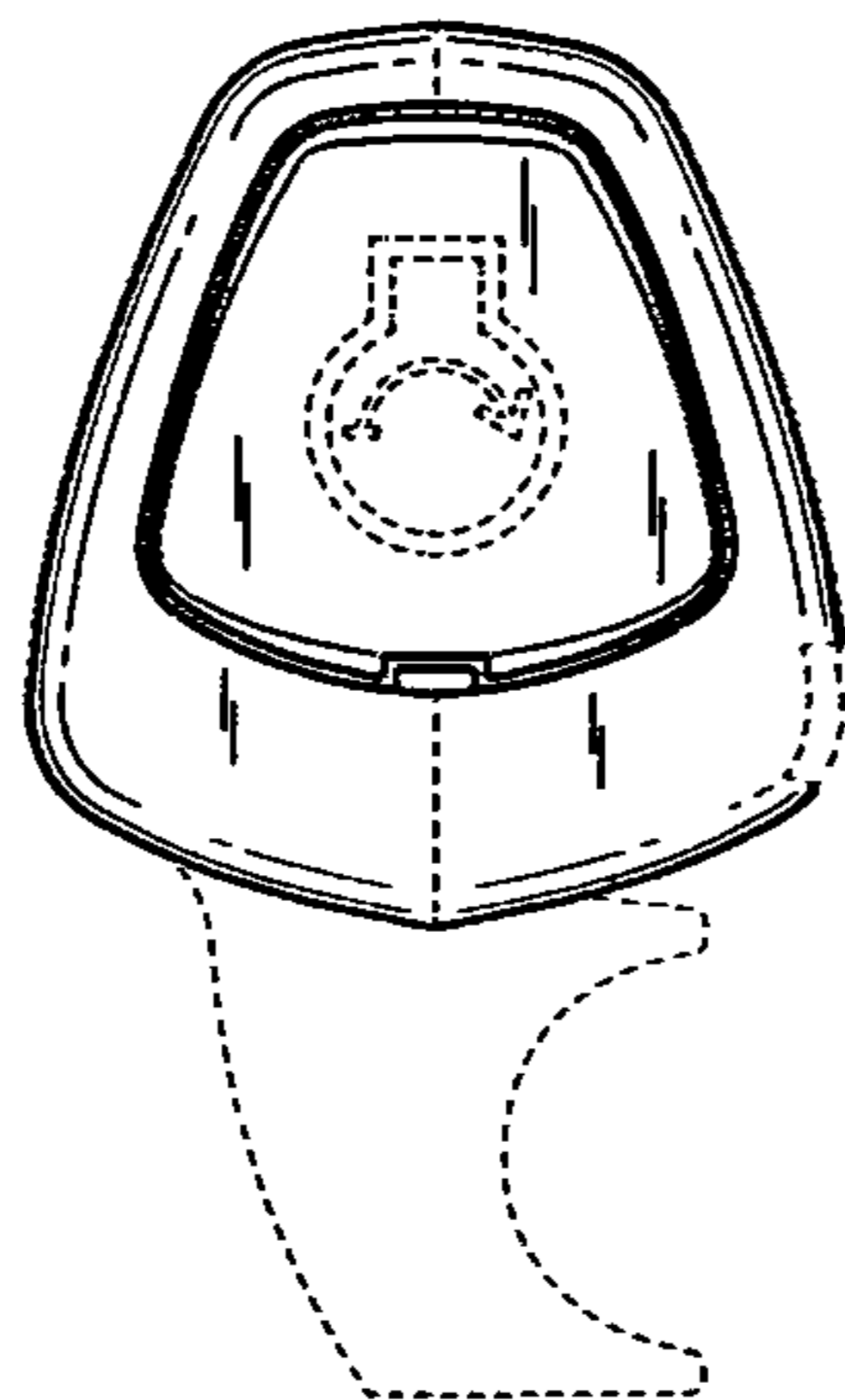


Fig. 7

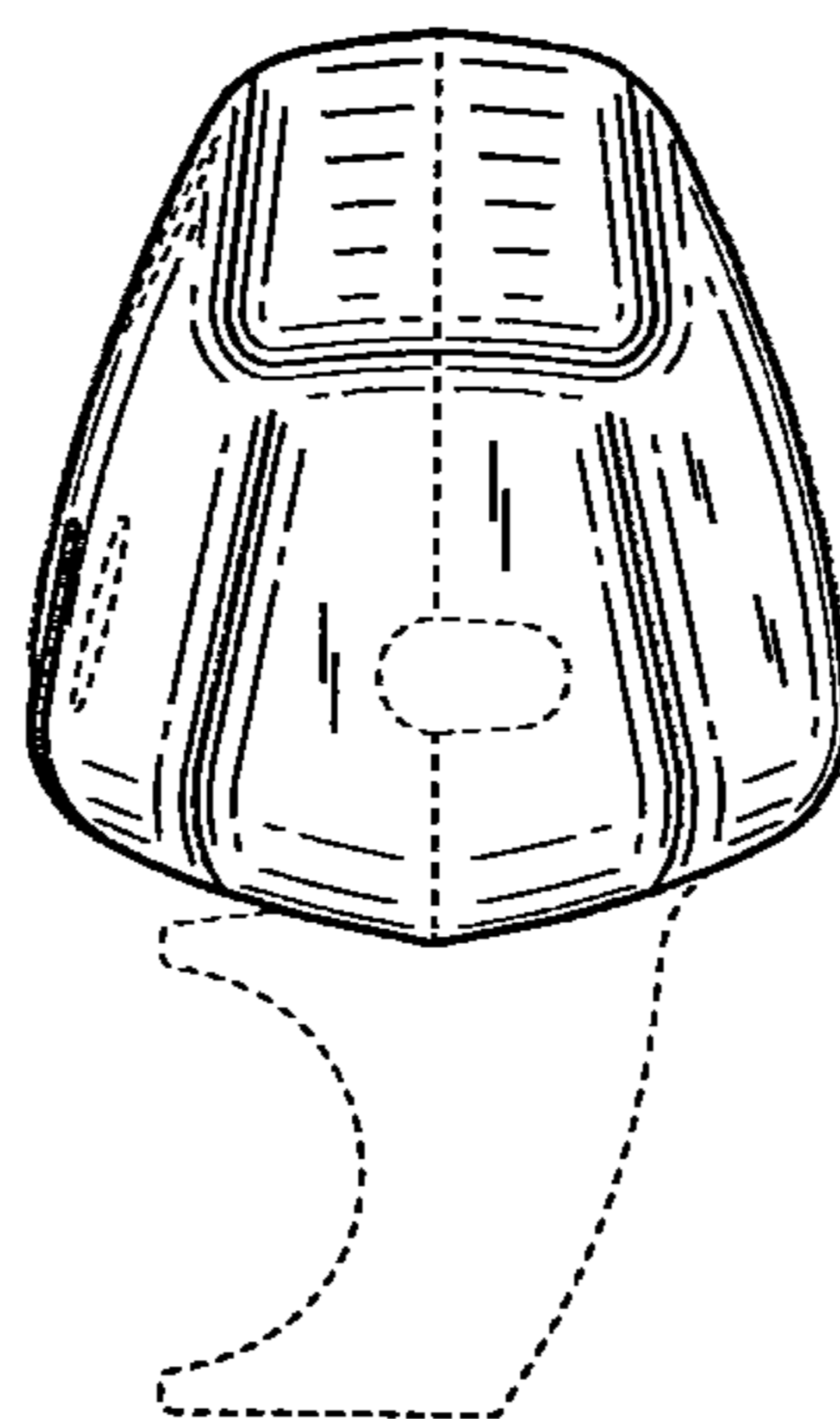


Fig. 8