



US00D692026S

(12) **United States Design Patent**
Alexander et al.

(10) **Patent No.:** **US D692,026 S**
(45) **Date of Patent:** **** Oct. 22, 2013**

(54) **PUMP**

(56) **References Cited**

(71) Applicant: **FNA IP Holdings, Inc.**, Elk Grove Village, IL (US)

U.S. PATENT DOCUMENTS

(72) Inventors: **Gus Alexander**, Inverness, IL (US);
James E. Welch, Jr., Bentonville, AR (US)

D633,101 S *	2/2011	Magri	D15/7
D633,102 S *	2/2011	Magri	D15/7
D633,103 S *	2/2011	Magri	D15/7
D633,104 S *	2/2011	Magri	D15/7
D633,105 S *	2/2011	Magri	D15/7
D670,312 S *	11/2012	Alexander et al.	D15/7

(73) Assignee: **FNA IP Holdings, Inc.**, Elk Grove Village, IL (US)

* cited by examiner

(**) Term: **14 Years**

Primary Examiner — Ralf Seifert

(21) Appl. No.: **29/443,833**

(74) *Attorney, Agent, or Firm* — Holland & Knight LLP; Steven E. Jedlinski

(22) Filed: **Jan. 23, 2013**

(57) **CLAIM**

The ornamental design for a pump, as shown and described.

(51) **LOC (9) Cl.** **15-02**

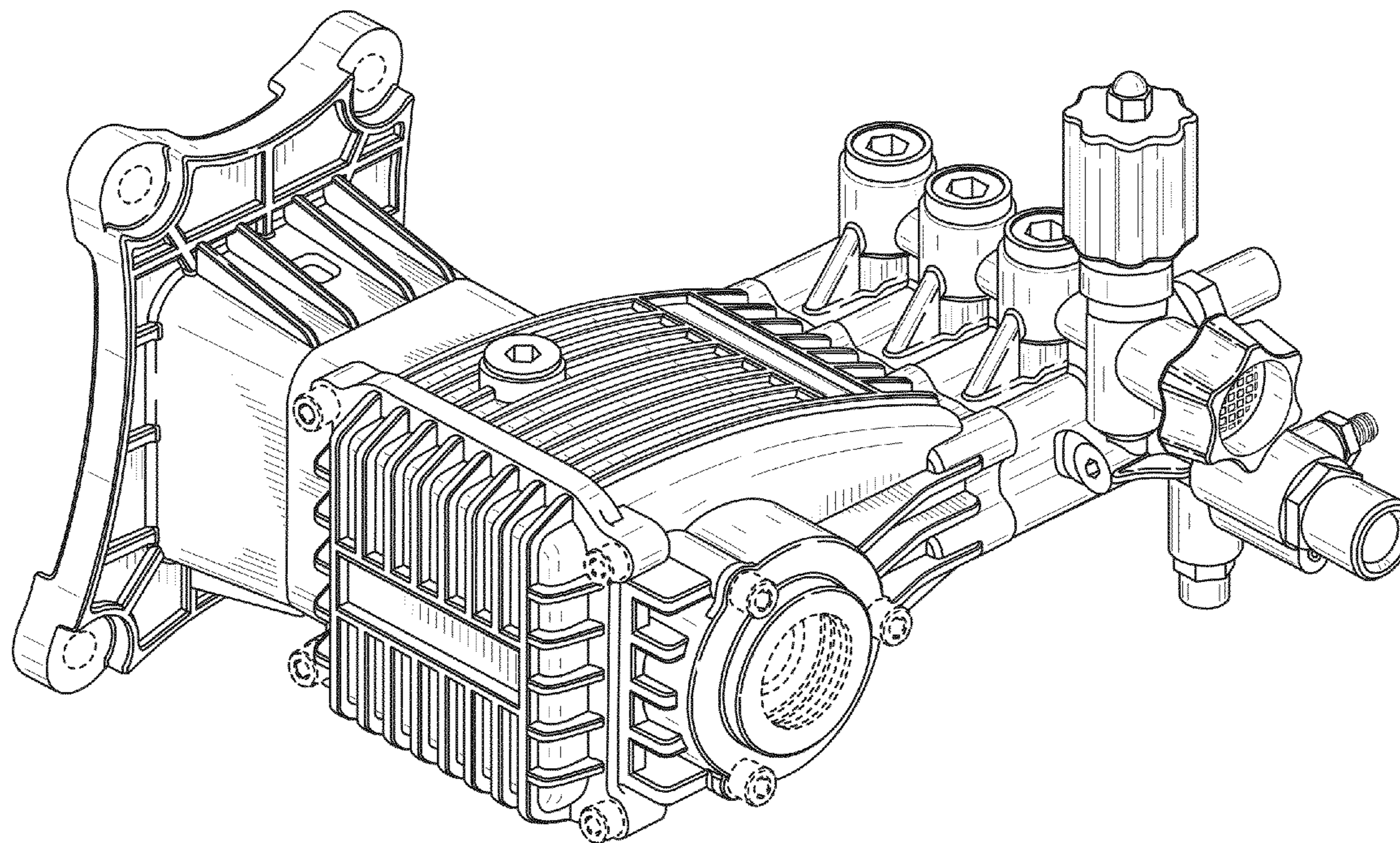
DESCRIPTION

(52) **U.S. Cl.**
USPC **D15/7**

FIG. 1 is a perspective view of a pump as viewed from the front right side;
FIG. 2 is a perspective view of a pump as viewed from the rear left side;
FIG. 3 is a front elevation view thereof;
FIG. 4 is a rear elevation view thereof;
FIG. 5 is a left side elevation view thereof;
FIG. 6 is a right side elevation view thereof;
FIG. 7 is a top plan view thereof; and,
FIG. 8 is a bottom plan view thereof.

(58) **Field of Classification Search**
USPC D15/7-9; D23/231, 232; 417/410.1, 417/359, 415-416, 234, 321, 265, 405, 1, 417/63, 53, 393; D24/107, 108, 111
See application file for complete search history.

1 Claim, 6 Drawing Sheets



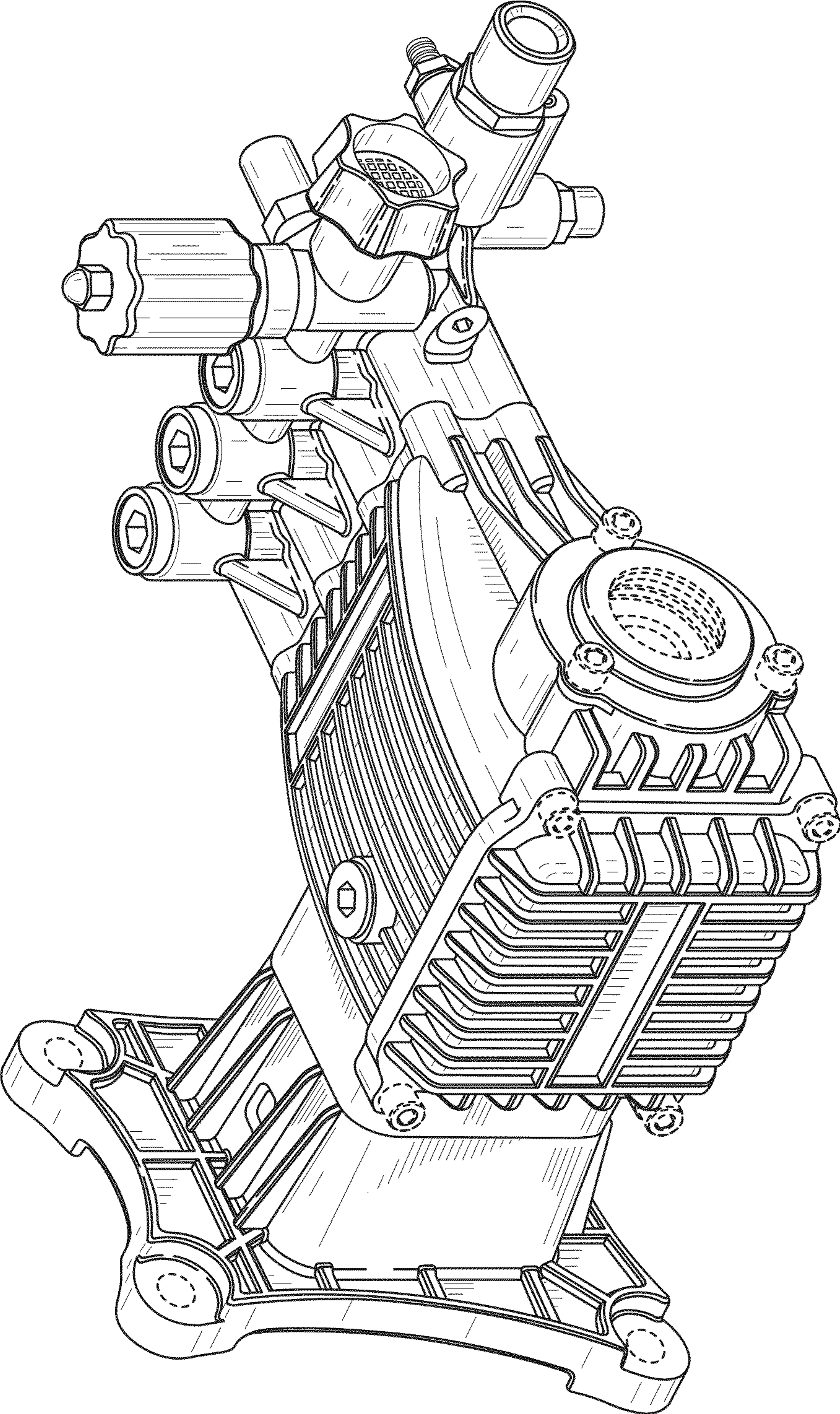


FIG. 1

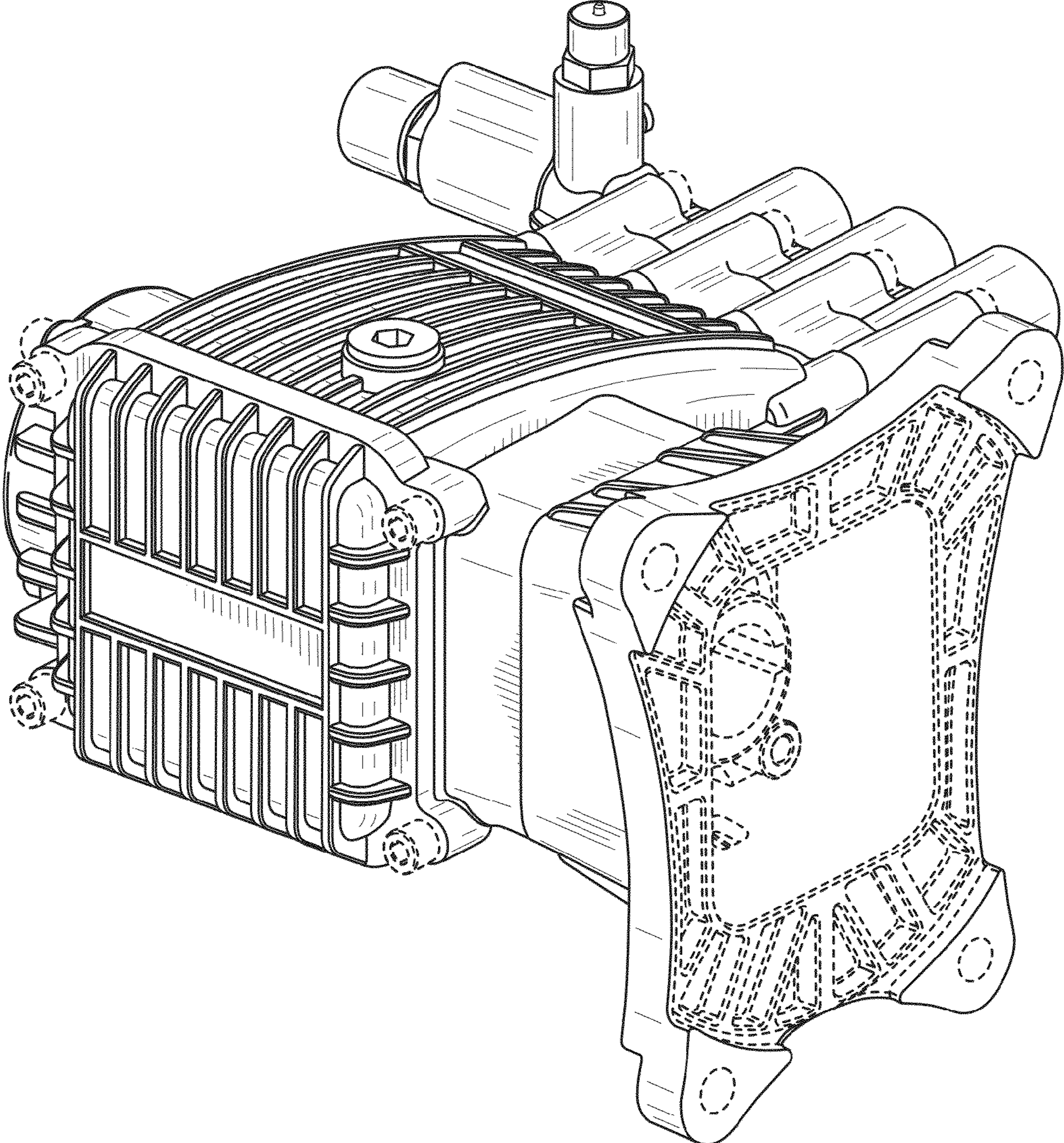


FIG. 2

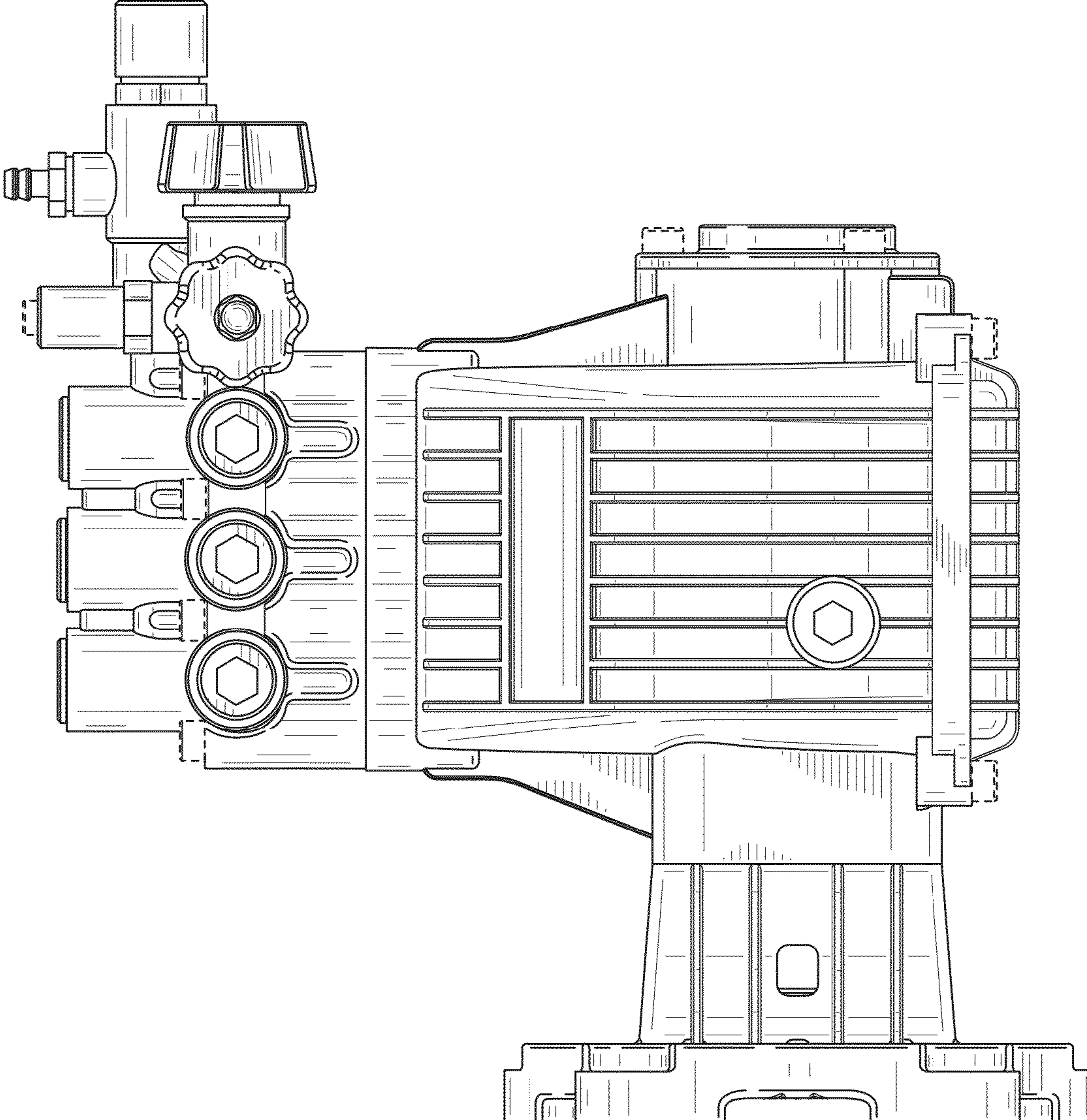


FIG. 3

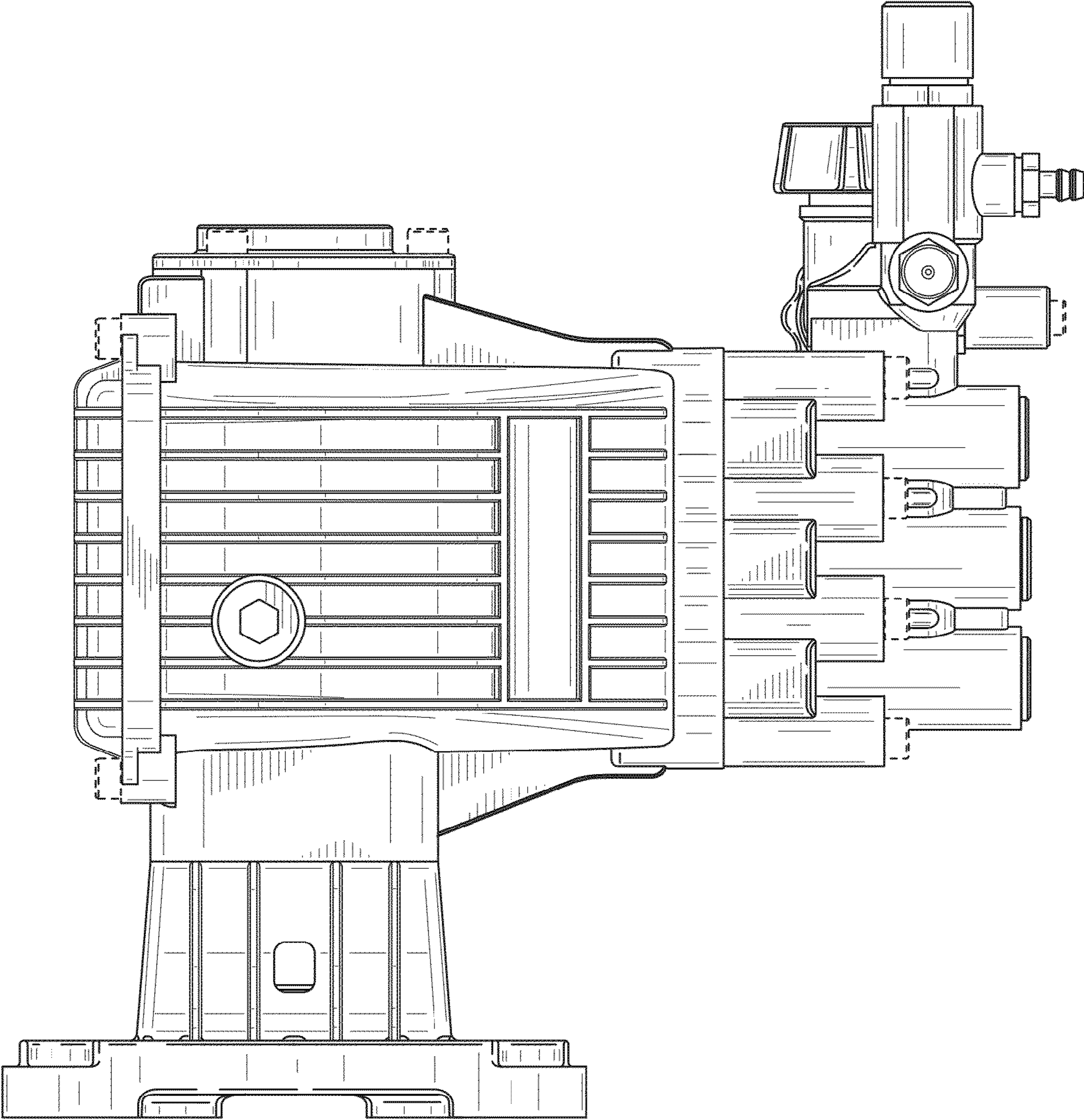


FIG. 4

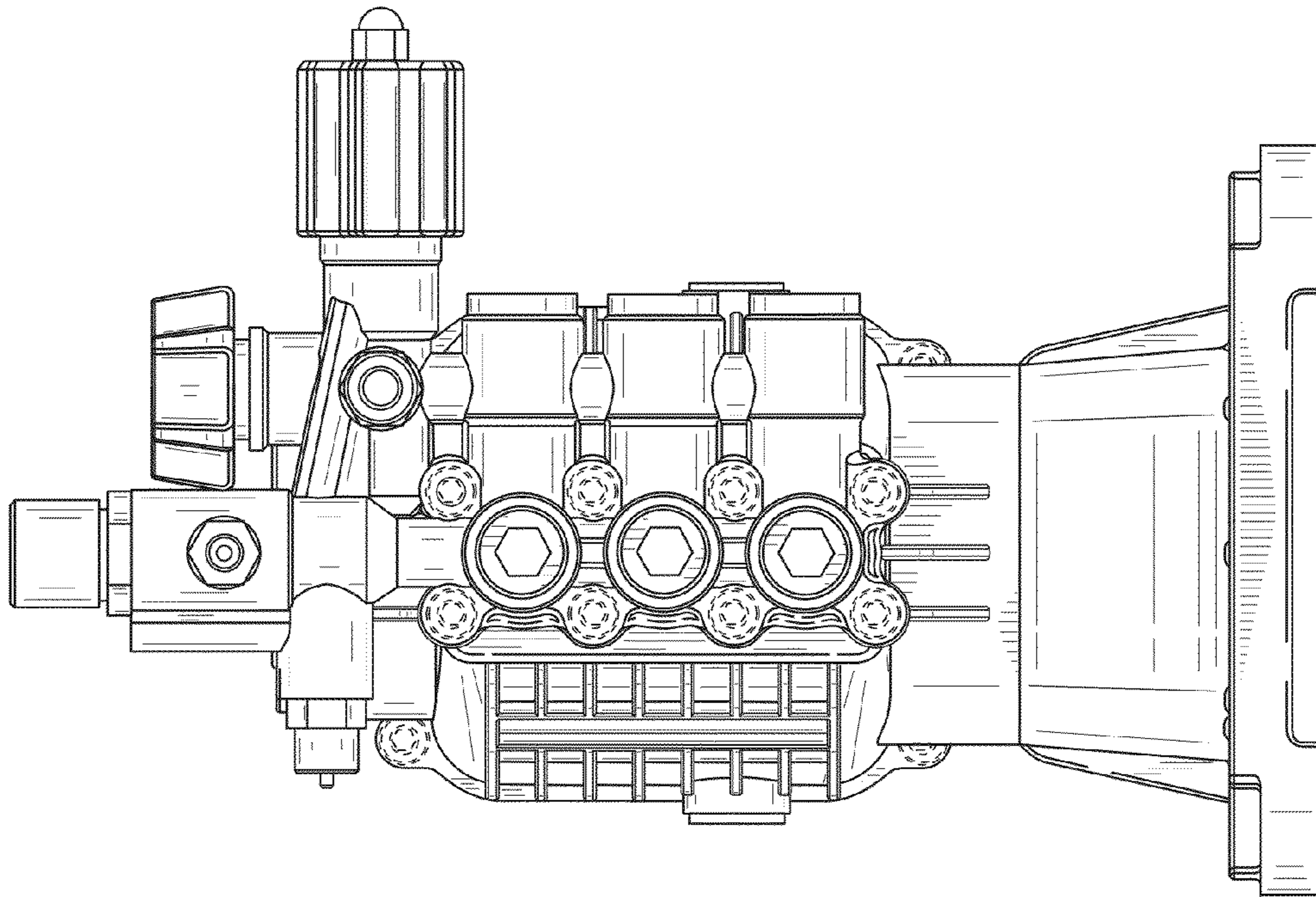


FIG. 6

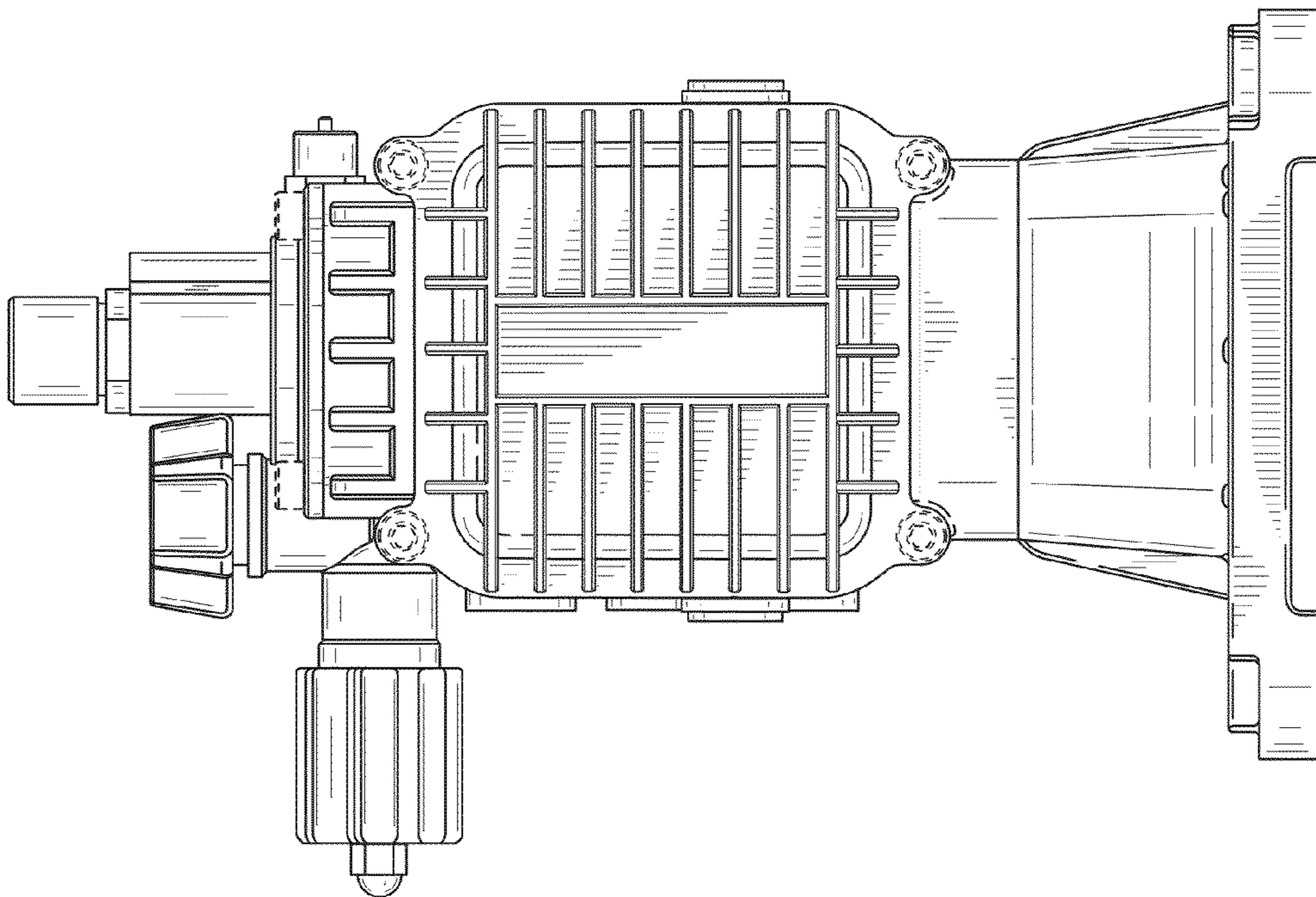


FIG. 5

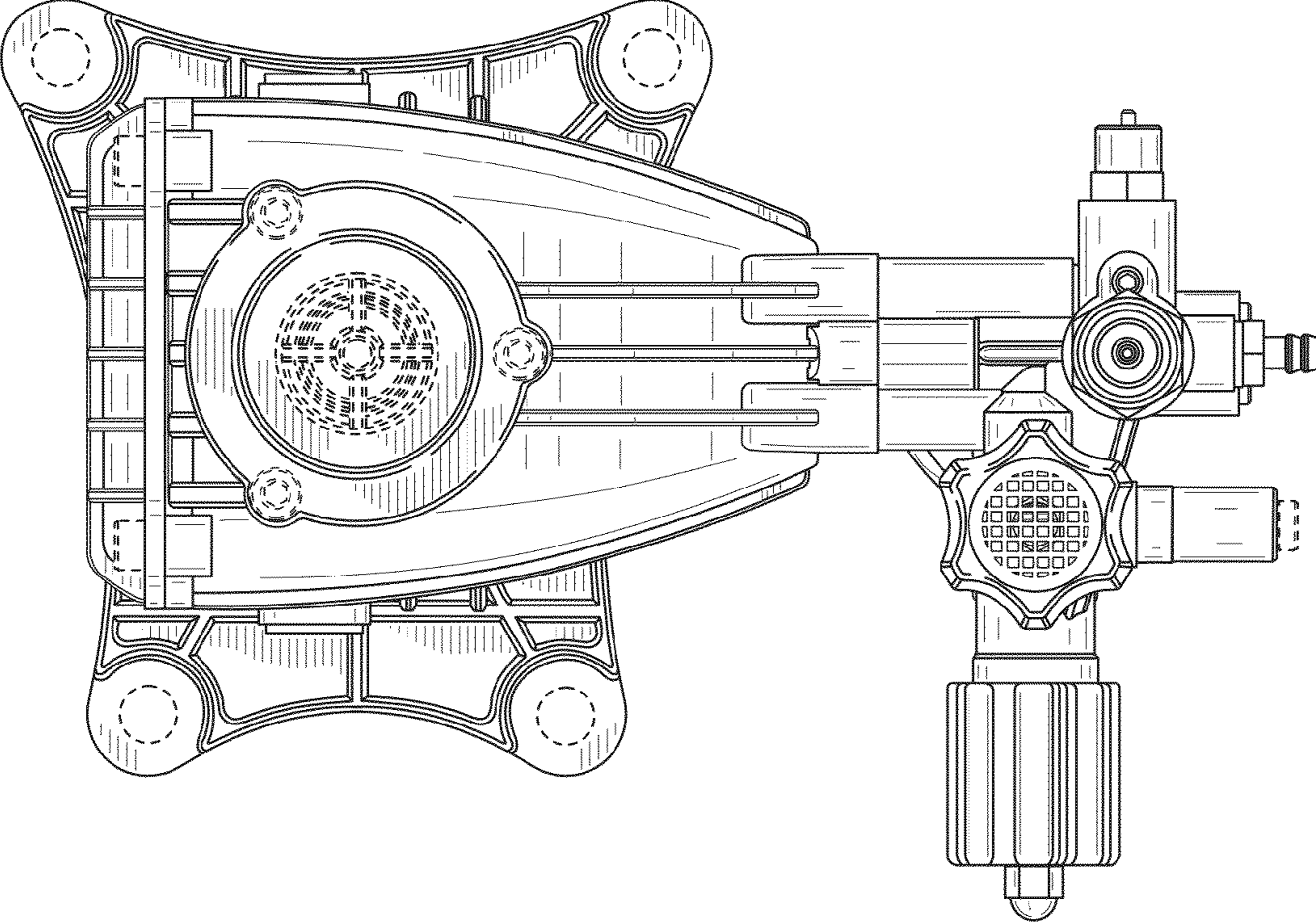


FIG. 7

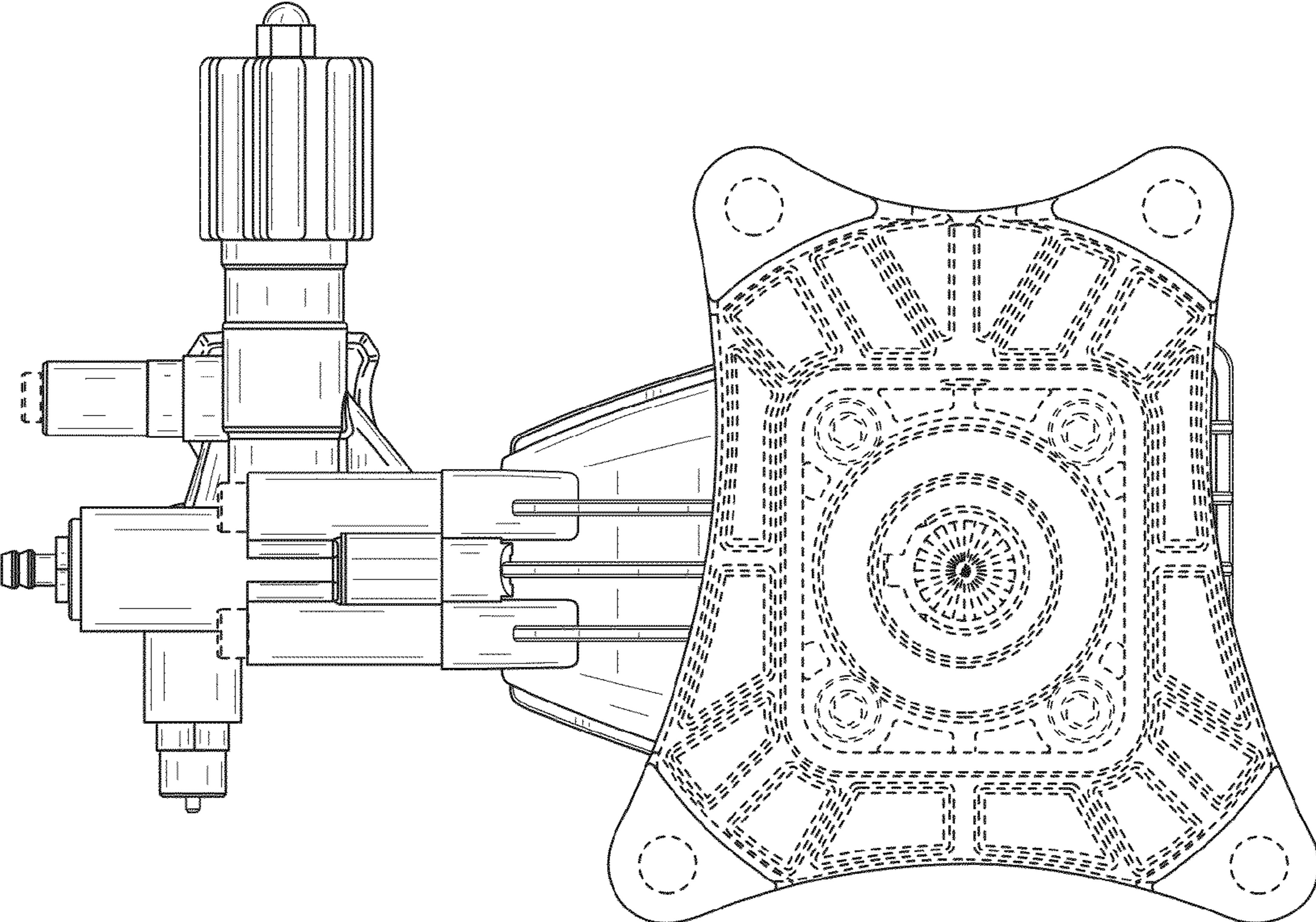


FIG. 8