



US00D692025S

(12) **United States Design Patent**
Cook et al.

(10) **Patent No.:** **US D692,025 S**

(45) **Date of Patent:** **** Oct. 22, 2013**

(54) **HAND-HELD, RECHARGEABLE, BATTERY
POWERED DIAPHRAGM PUMP**

(75) Inventors: **Gregory Cook**, Holliston, MA (US);
Michael H. Irving, Haverhill, MA (US);
Jeffrey B. Schopperle, Wakefield, MA
(US); **Mark F. Ingersoll**, North Java,
NY (US)

(73) Assignee: **Flow Control LLC**, Gloucester, MA
(US)

(**) Term: **14 Years**

(21) Appl. No.: **29/418,986**

(22) Filed: **Apr. 24, 2012**

(51) **LOC (9) Cl.** **15-02**

(52) **U.S. Cl.**
USPC **D15/7**

(58) **Field of Classification Search**
USPC D15/7-9; D23/231, 232, 225; 417/60,
417/235, 265, 321, 355, 358, 363, 359,
417/410.1, 415-416, 405, 900, 43, 554;
60/408, 412; 184/26-37; 415/140-147;
123/495, 509; 166/105.1, 105.2, 311;
604/73; D24/109

See application file for complete search history.

(56) **References Cited**

U.S. PATENT DOCUMENTS

D467,593 S * 12/2002 Williams D15/7
D470,863 S * 2/2003 Williams D15/7

D510,939 S * 10/2005 Nikolayev et al. D15/9
D550,718 S * 9/2007 Saunders et al. D15/7
D556,217 S * 11/2007 Saunders et al. D15/7
D556,781 S * 12/2007 Saunders et al. D15/7
D559,866 S * 1/2008 Saunders et al. D15/7
D663,746 S * 7/2012 Kwon D15/7
D669,094 S * 10/2012 Chang D15/7
D669,095 S * 10/2012 Chang D15/7

* cited by examiner

Primary Examiner — Ralf Seifert

(57) **CLAIM**

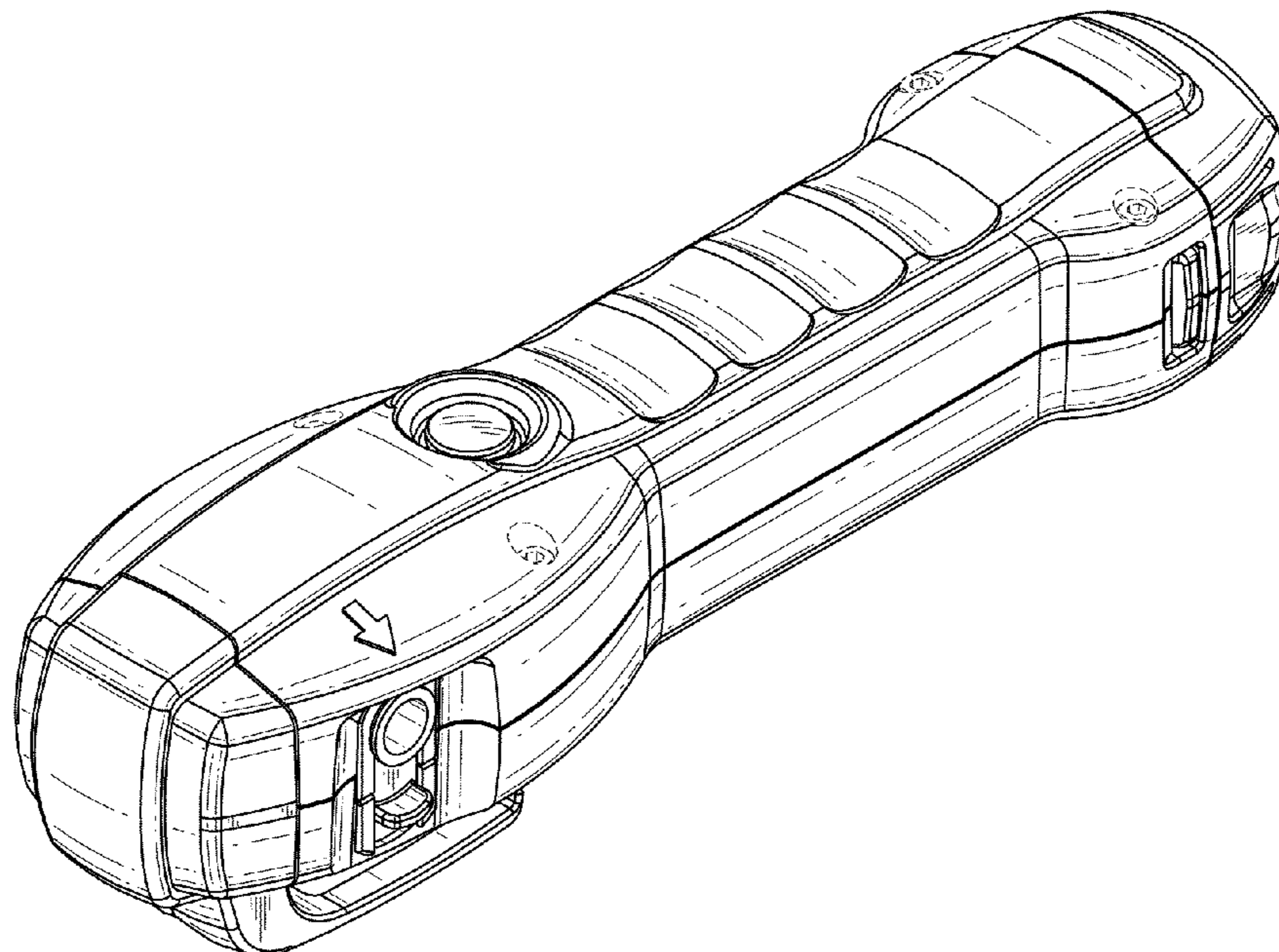
The ornamental design for a hand-held, rechargeable, battery powered diaphragm pump, as shown and described.

DESCRIPTION

FIG. 1 is a top perspective view of a hand-held, rechargeable, battery powered diaphragm pump showing our new design; FIG. 2 is a bottom perspective view; FIG. 3 is a side view; FIG. 4 is an opposite side view of FIG. 3; FIG. 5 is a front view; FIG. 6 is a back view; FIG. 7 is a top view; and, FIG. 8 is a bottom view.

The broken line showing of screws and associated apertures are included for the purpose of illustrating environmental matter and forms no part of the claimed design.

1 Claim, 3 Drawing Sheets



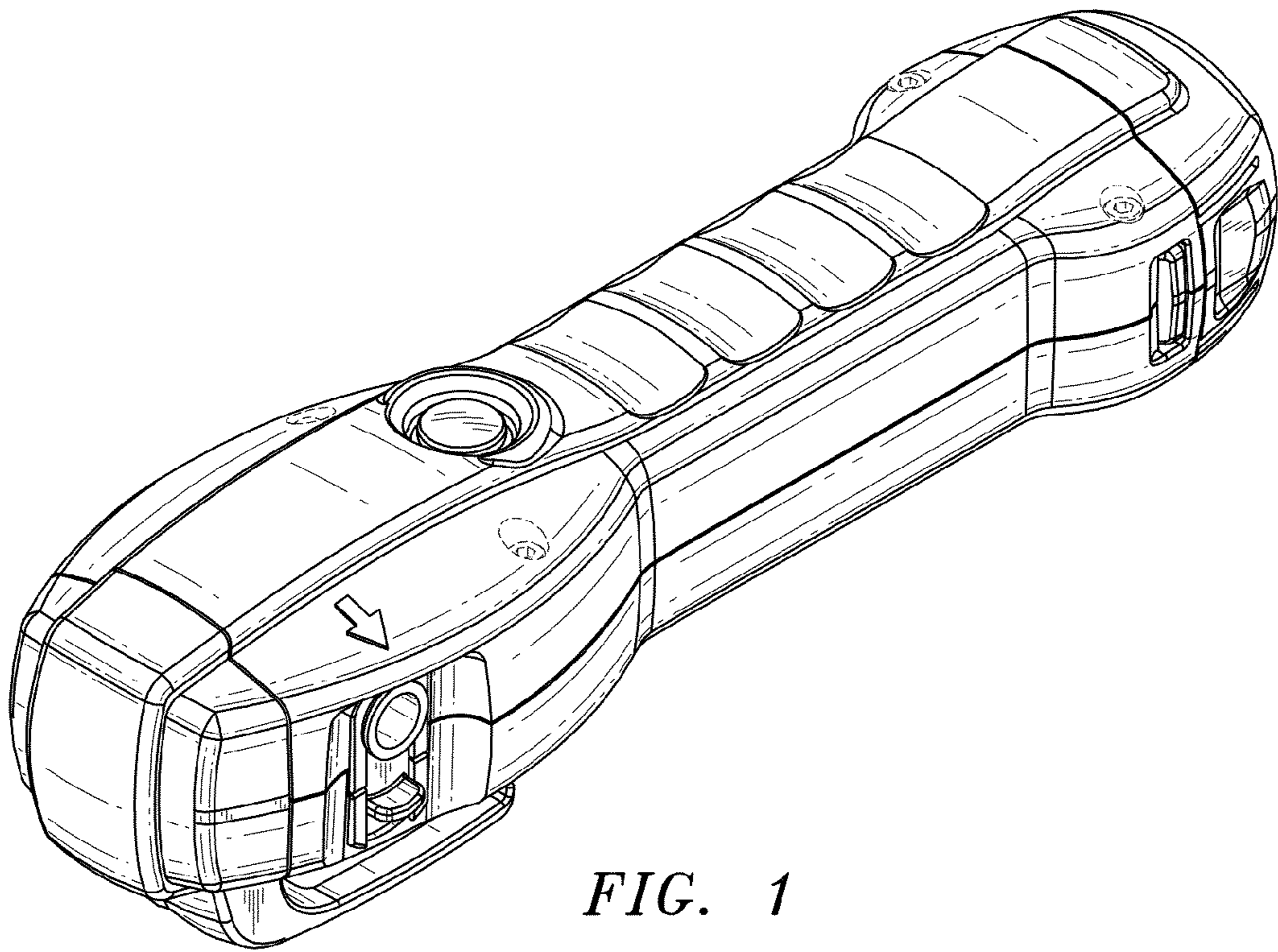


FIG. 1

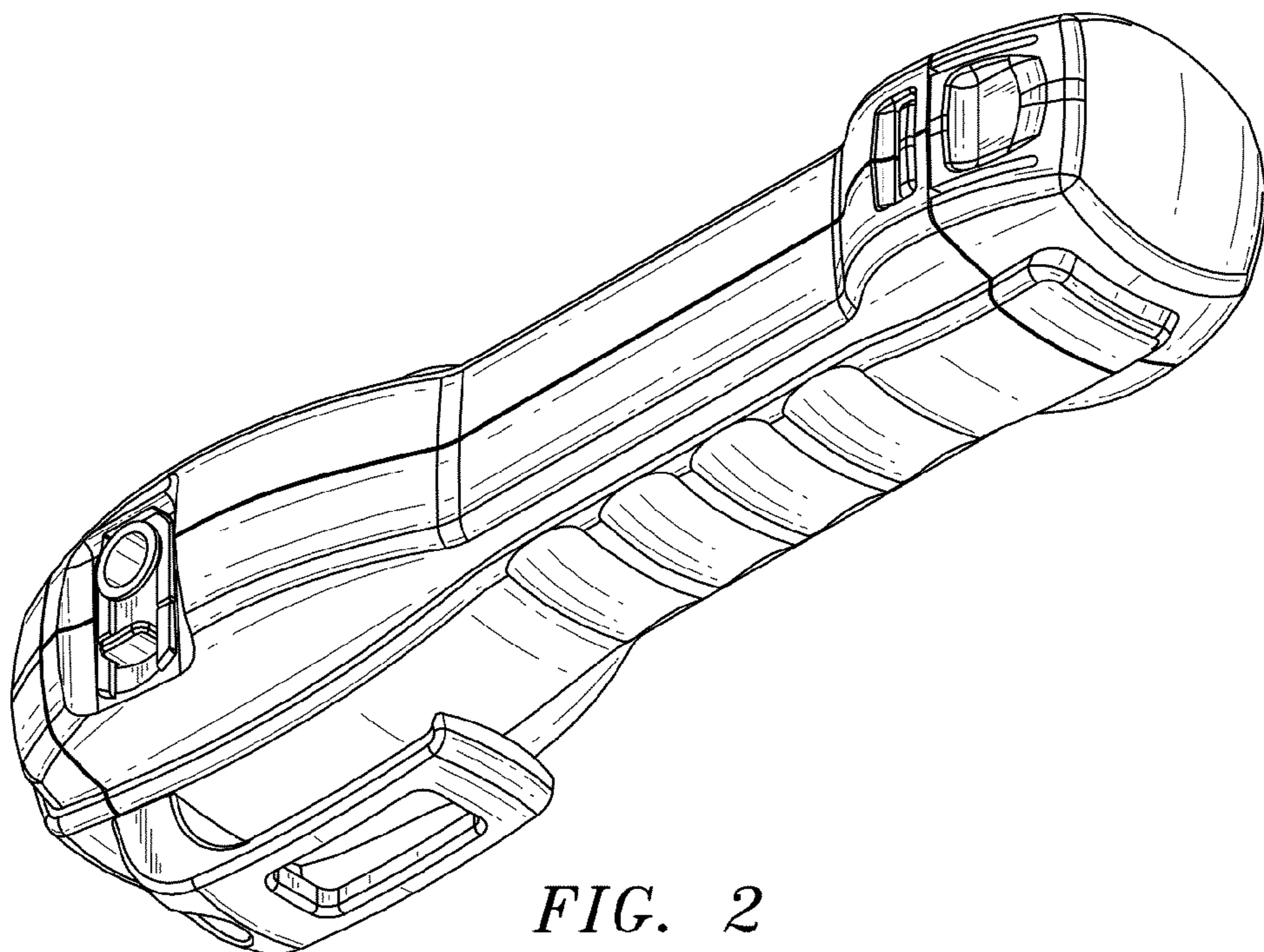


FIG. 2



FIG. 3



FIG. 4

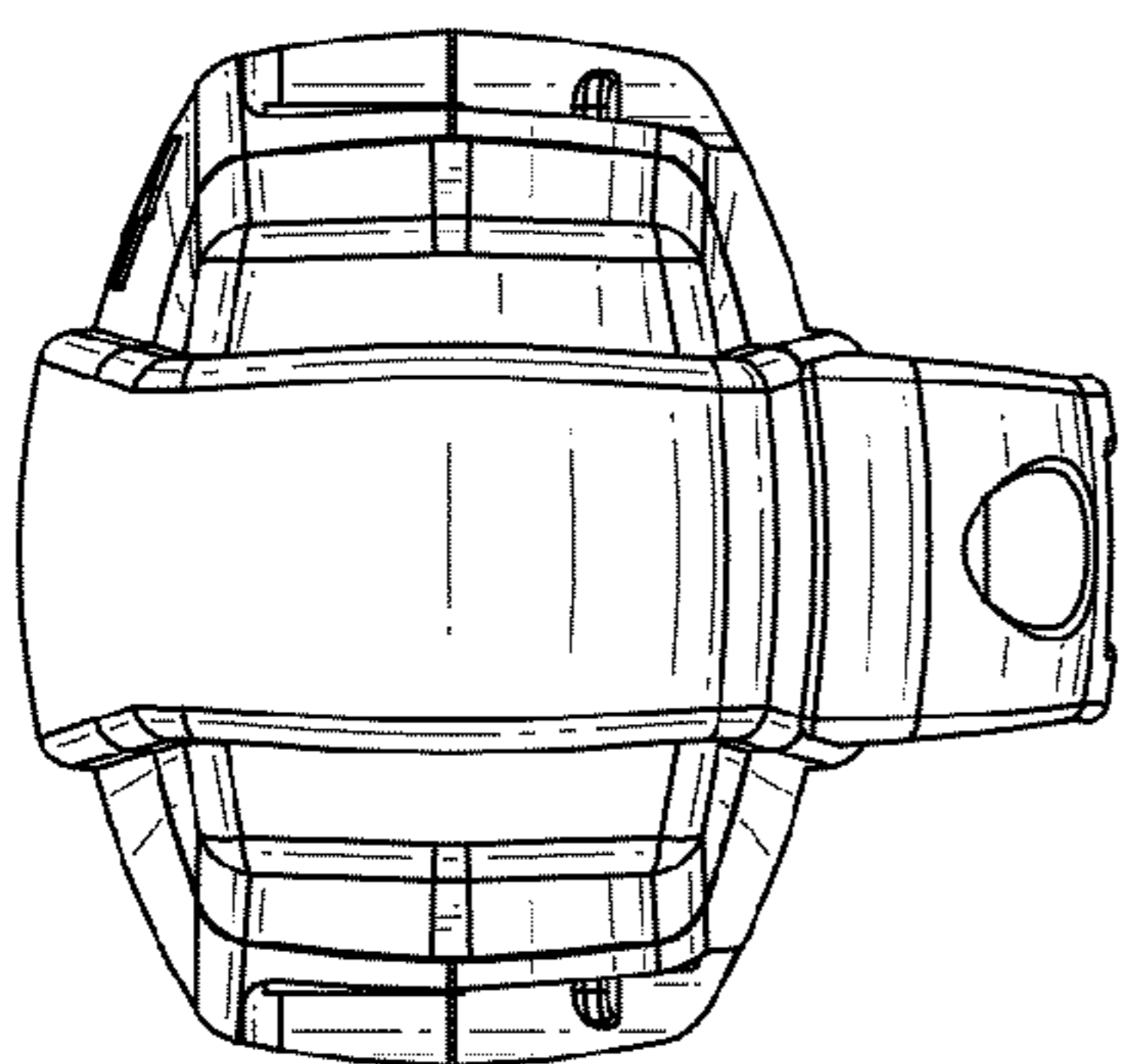


FIG. 5

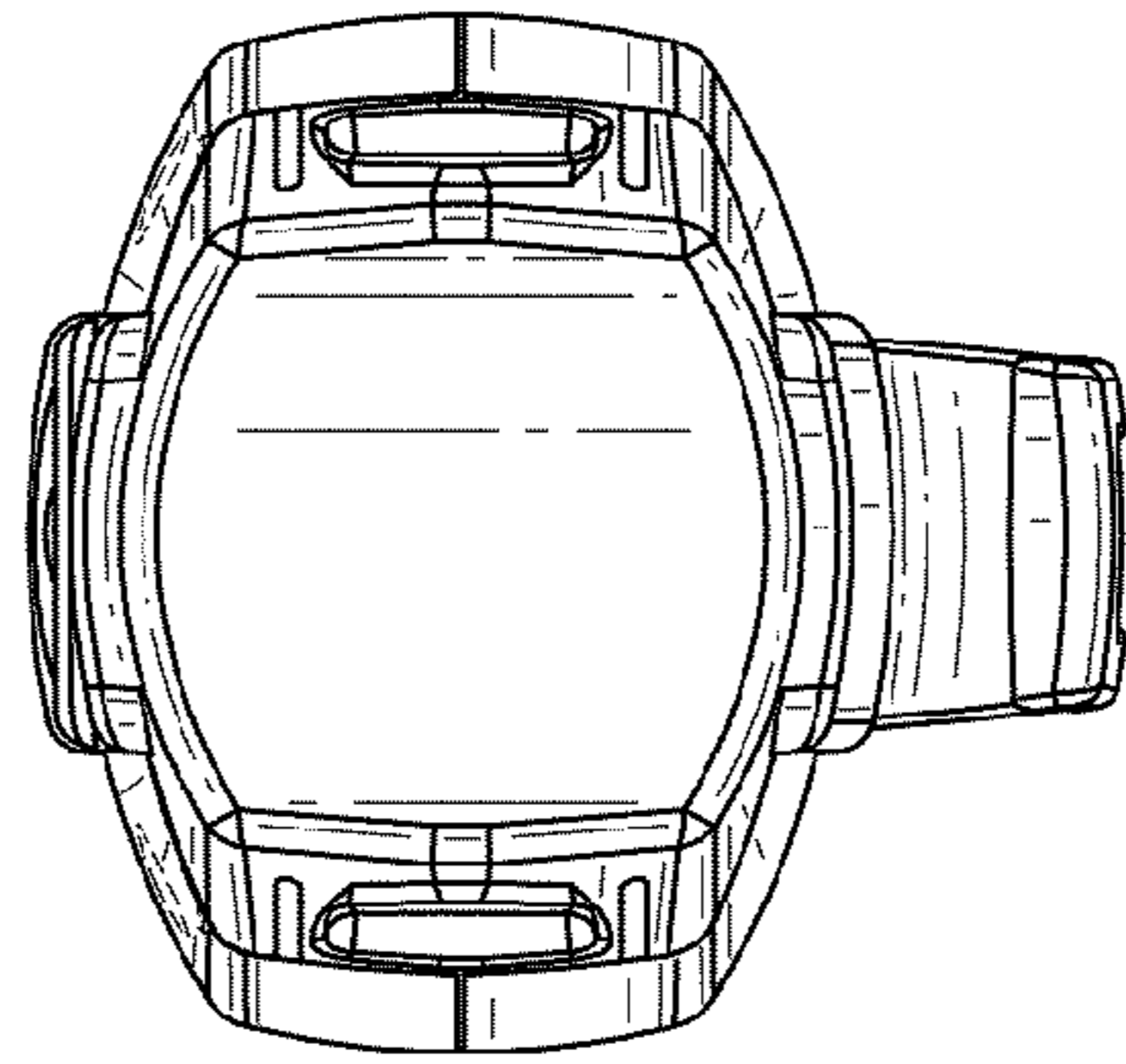


FIG. 6

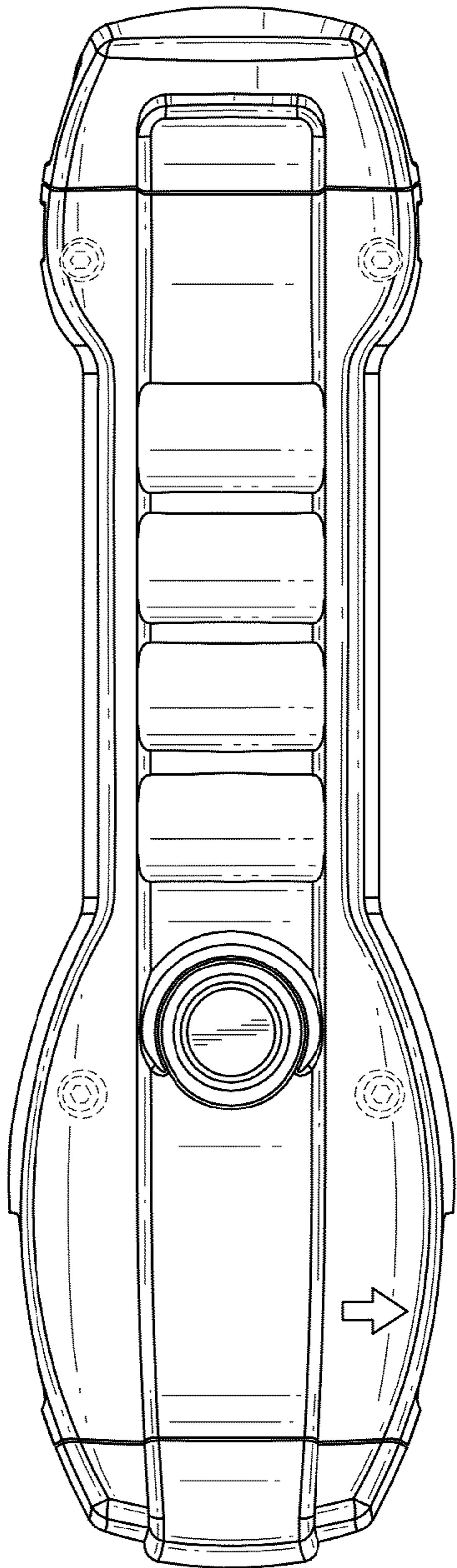


FIG. 7

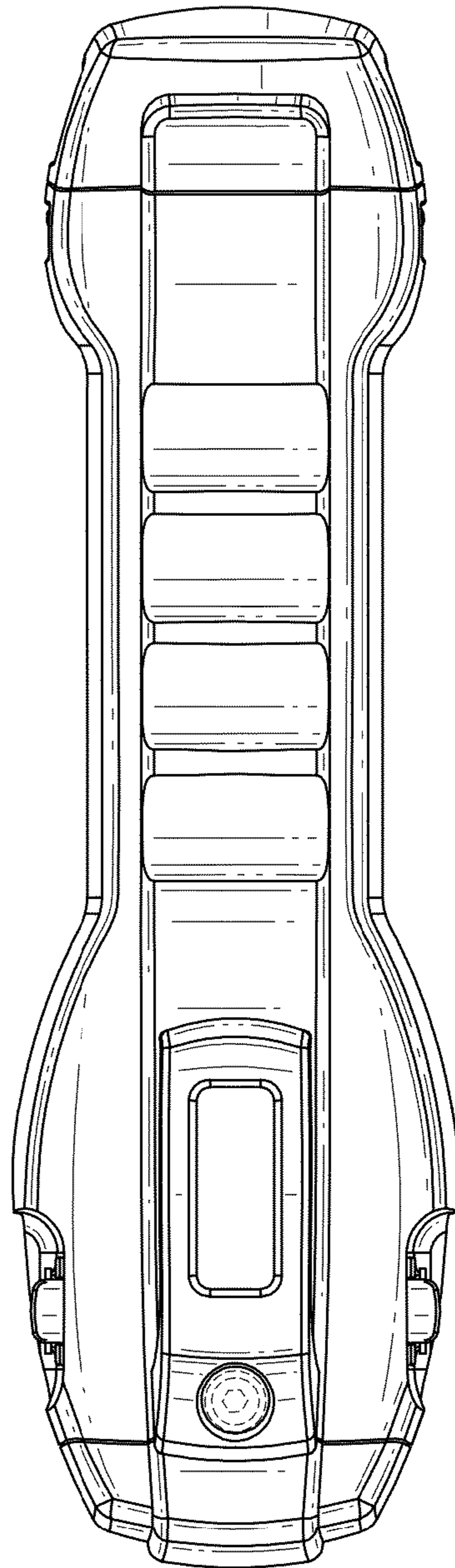


FIG. 8