



US00D692024S

(12) **United States Design Patent**  
**Seong et al.**

(10) **Patent No.:** **US D692,024 S**

(45) **Date of Patent:** **\*\* Oct. 22, 2013**

(54) **SMART HUB FOR TV**

(75) Inventors: **Bo-Kyung Seong**, Seoul (KR);  
**Jae-Hyung Kim**, Kyunggi-do (KR)

(73) Assignee: **Samsung Electronics Co., Ltd.**,  
Suwon-si, Gyeonggi-do (KR)

(\*\*) Term: **14 Years**

(21) Appl. No.: **29/430,052**

(22) Filed: **Aug. 21, 2012**

(30) **Foreign Application Priority Data**

Mar. 12, 2012 (KR) ..... 30-2012-0011541

(51) **LOC (9) Cl.** ..... **14-03**

(52) **U.S. Cl.**  
USPC ..... **D14/496**

(58) **Field of Classification Search**

USPC ..... D14/496, 401, 435, 474, 483, 217, 137,  
D14/138, 160, 168, 356, 203.1-203.8, 507;  
345/156, 169, 173-179, 905;  
715/727-729, 864; 710/1, 5, 8; 713/1,  
713/600; 455/1.1, 1.7, 73, 344-347, 93, 95,  
455/3.01-3.06, 550.1, 573.1; 370/342-344;  
369/1, 2, 6-12; 463/43-47; 273/148 B  
See application file for complete search history.

(56) **References Cited**

**U.S. PATENT DOCUMENTS**

5,914,707 A \* 6/1999 Kono ..... 345/173  
D441,375 S \* 5/2001 Hisatsune et al. .... D14/496

6,380,924 B1 \* 4/2002 Yee et al. .... 345/156  
6,791,907 B2 \* 9/2004 Berhan ..... 369/7  
6,955,606 B2 \* 10/2005 Taho et al. .... 463/43  
D513,617 S \* 1/2006 Tierney ..... D14/496  
7,090,582 B2 \* 8/2006 Danieli et al. .... 463/35  
D533,186 S \* 12/2006 Chen et al. .... D14/496  
D560,227 S \* 1/2008 Bennett et al. .... D14/496  
D572,270 S \* 7/2008 Kim ..... D14/496  
D626,552 S \* 11/2010 Andre et al. .... D14/341  
D644,247 S \* 8/2011 Kim et al. .... D14/496  
D650,394 S \* 12/2011 Seoc et al. .... D14/496

\* cited by examiner

*Primary Examiner* — Prabhakar Deshmukh

(74) *Attorney, Agent, or Firm* — Flynn, Thiel, Boutell &  
Tanis, P.C.

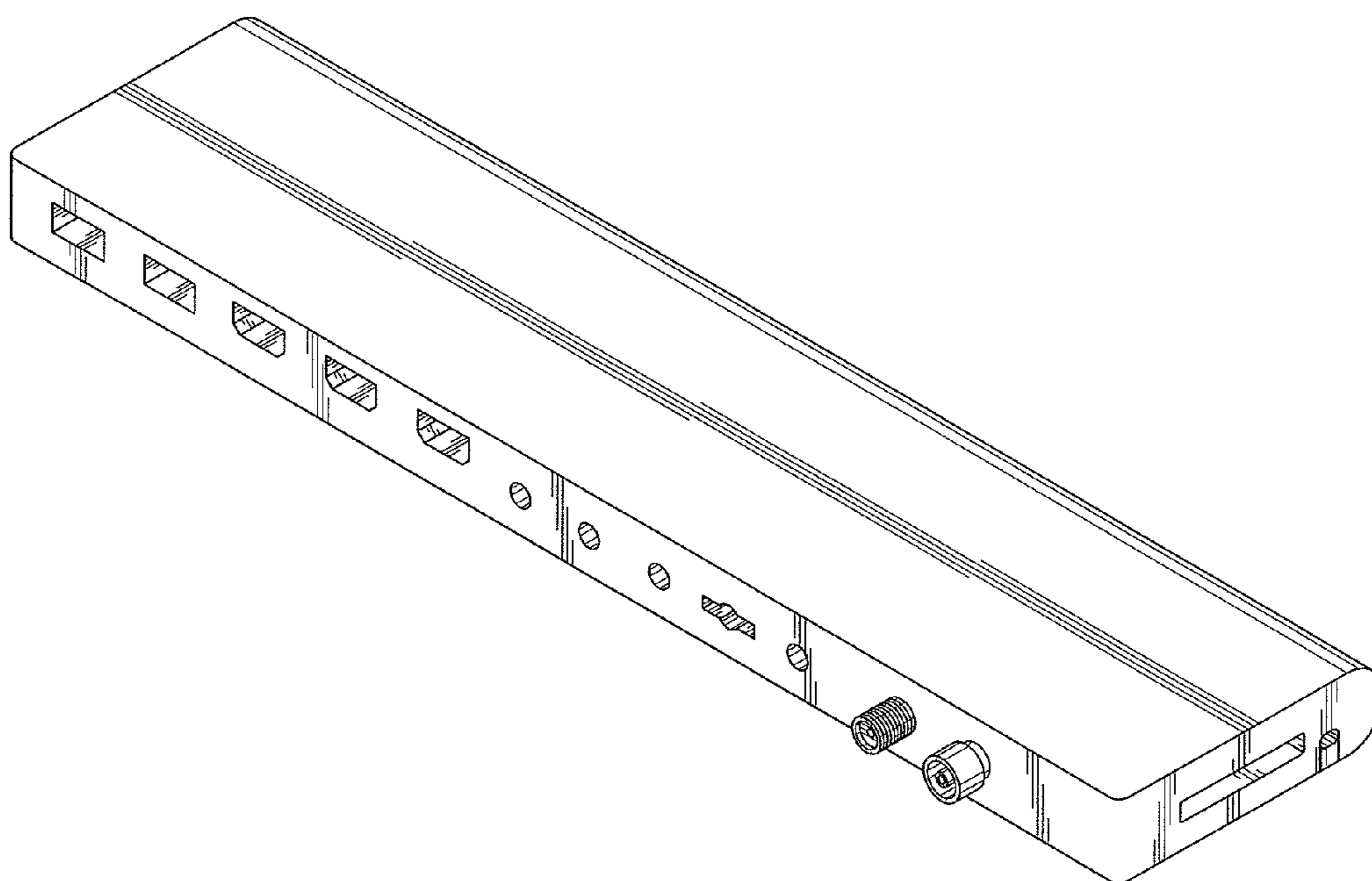
(57) **CLAIM**

The ornamental design for a smart hub for TV, as shown and  
described.

**DESCRIPTION**

FIG. 1 is a top front perspective view of a smart hub for TV  
showing our new design;  
FIG. 2 is a front elevational view thereof;  
FIG. 3 is a rear elevational view thereof;  
FIG. 4 is a left side elevational view thereof;  
FIG. 5 is a right side elevational view thereof;  
FIG. 6 is a top plan view thereof; and,  
FIG. 7 is a bottom plan view thereof.

**1 Claim, 3 Drawing Sheets**



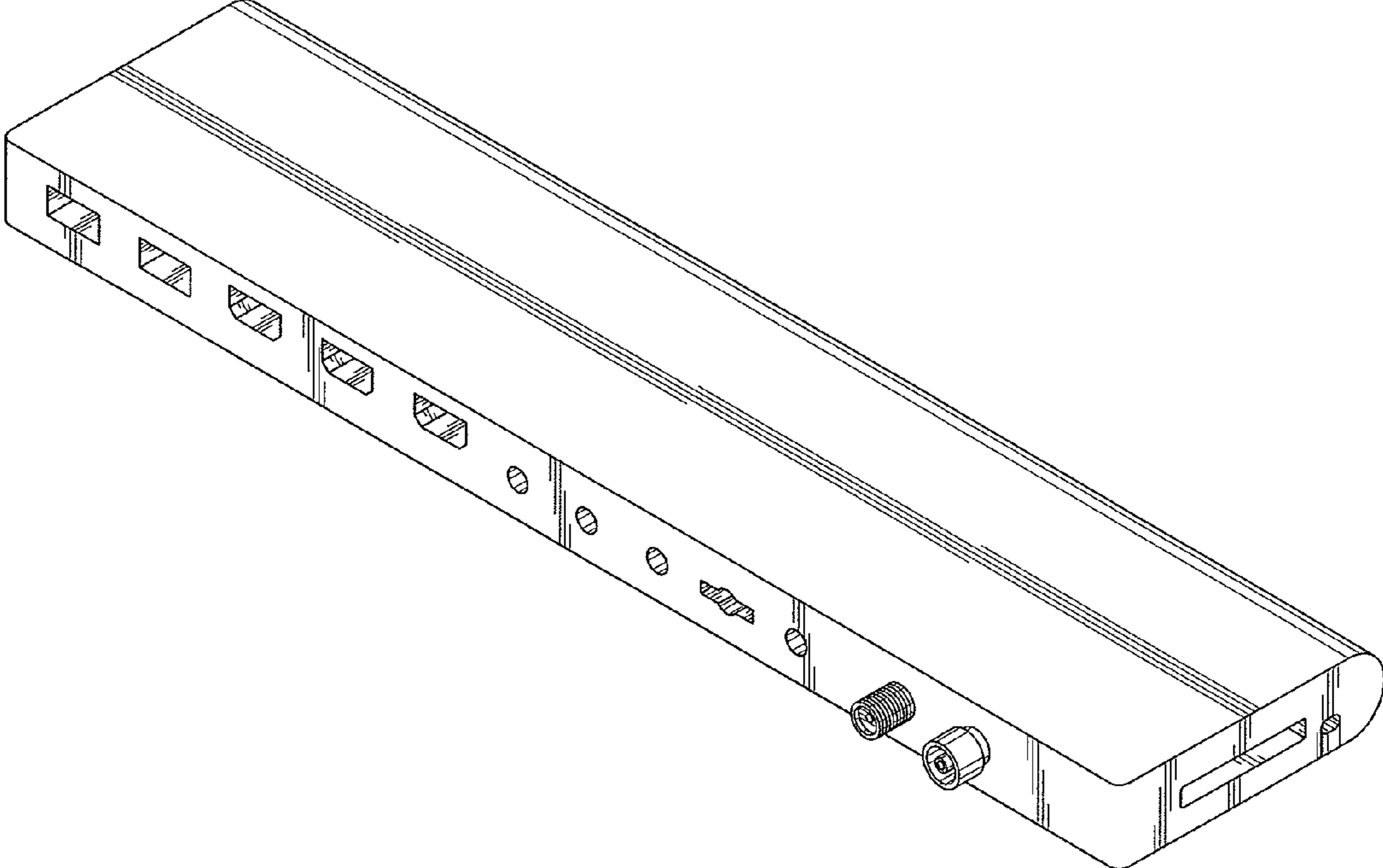


FIG.1

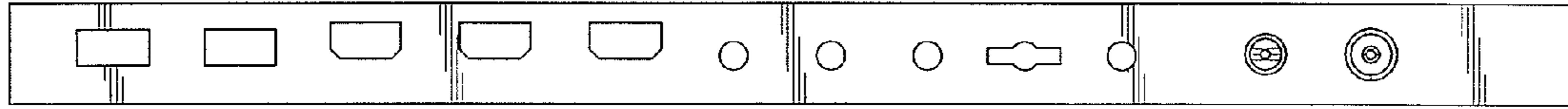


FIG.2

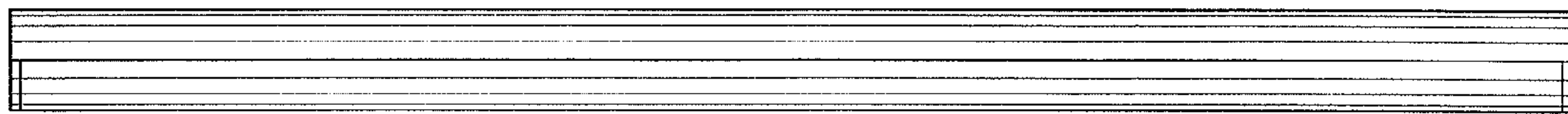


FIG.3

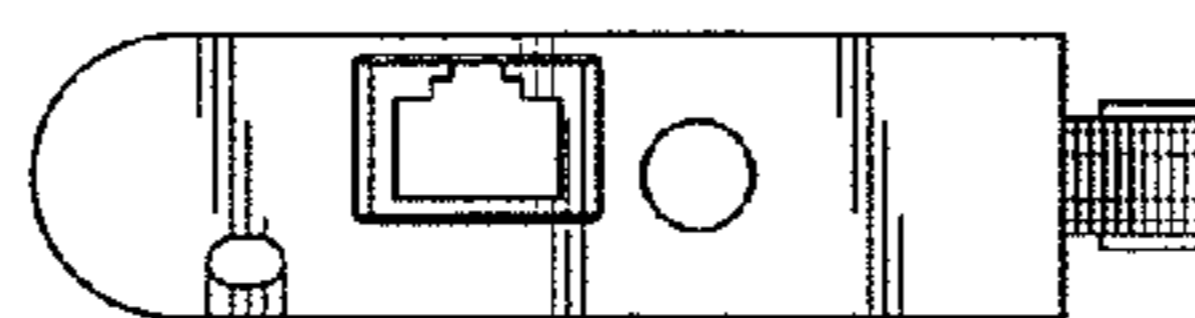


FIG.4

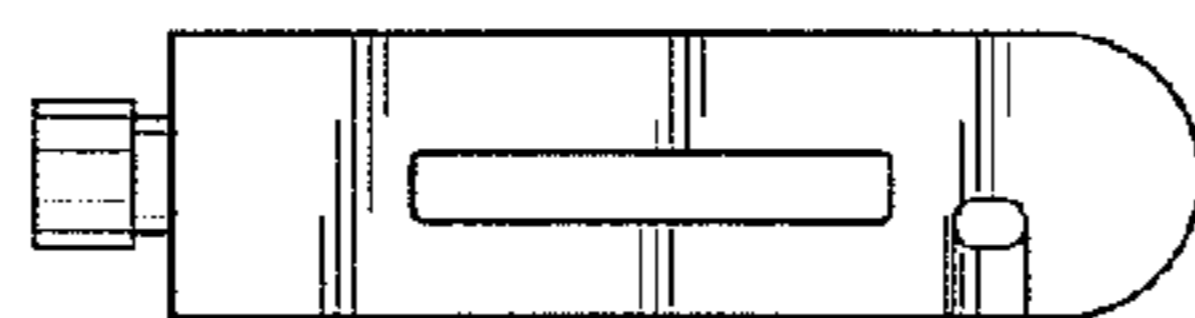


FIG.5

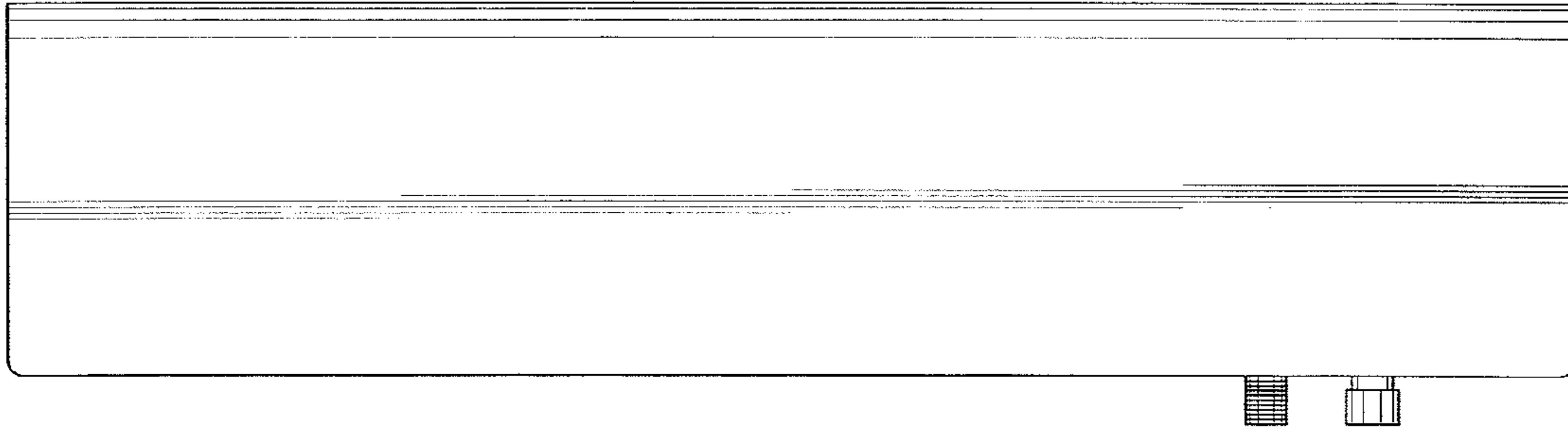


FIG.6

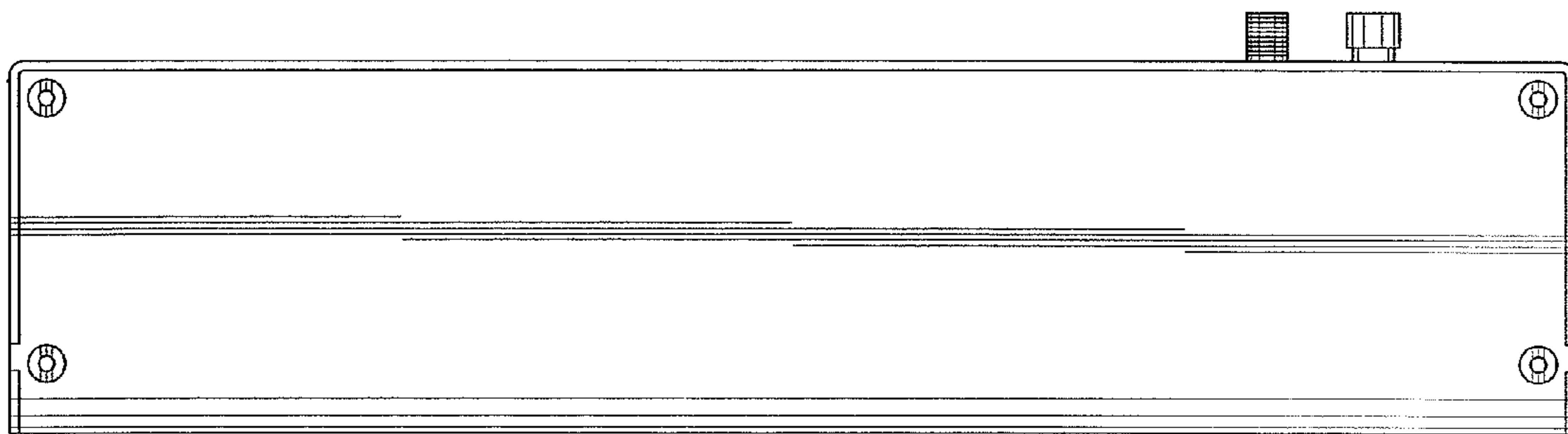


FIG.7