

US00D692018S

(12) **United States Design Patent**  
**Wenz et al.**

(10) **Patent No.:** **US D692,018 S**  
(45) **Date of Patent:** **\*\* \*Oct. 22, 2013**

- (54) **DISPLAY SCREEN WITH A GRAPHICAL INTERFACE**
- (75) Inventors: **Oliver C. Wenz**, Petaluma, CA (US);  
**Michael J. Manning**, Campbell, CA (US); **Ji hyun Kim**, Alameda, CA (US)
- (73) Assignee: **Cisco Technology, Inc.**, San Jose, CA (US)
- (\*) Notice: This patent is subject to a terminal disclaimer.
- (\*\*) Term: **14 Years**
- (21) Appl. No.: **29/380,022**
- (22) Filed: **Nov. 29, 2010**
- (51) **LOC (9) Cl.** ..... **14-04**
- (52) **U.S. Cl.**  
USPC ..... **D14/488; D14/495**
- (58) **Field of Classification Search**  
USPC ..... D14/485-488, 495; D18/31-33;  
D20/10, 11, 22, 23, 25, 27, 32;  
715/751-753, 756, 758, 759  
See application file for complete search history.

(56) **References Cited**

**U.S. PATENT DOCUMENTS**

|              |         |                      |         |
|--------------|---------|----------------------|---------|
| D2,945 S *   | 3/1868  | Parker et al. ....   | D20/23  |
| D391,558 S * | 3/1998  | Marshall et al. .... | D14/486 |
| D392,264 S * | 3/1998  | Marshall et al. .... | D14/486 |
| D400,519 S * | 11/1998 | Marshall et al. .... | D14/486 |
| D401,230 S * | 11/1998 | Marshall et al. .... | D14/486 |
| D402,284 S * | 12/1998 | Coleman .....        | D14/487 |
| D414,758 S * | 10/1999 | Hodgson .....        | D14/486 |
| D418,825 S * | 1/2000  | Faris et al. ....    | D14/486 |
| D420,993 S * | 2/2000  | Decker .....         | D14/486 |
| D422,580 S * | 4/2000  | Faris et al. ....    | D14/486 |
| D424,541 S * | 5/2000  | Mugura .....         | D14/486 |
| D426,207 S * | 6/2000  | Faris et al. ....    | D14/486 |
| D440,575 S * | 4/2001  | Wang et al. ....     | D14/489 |

|                |         |                         |         |
|----------------|---------|-------------------------|---------|
| 6,222,534 B1 * | 4/2001  | Ohishi et al. ....      | 345/672 |
| D442,185 S *   | 5/2001  | Faris et al. ....       | D14/486 |
| D443,597 S *   | 6/2001  | Coleman .....           | D14/486 |
| D500,788 S *   | 1/2005  | Kaplan .....            | D19/8   |
| D507,576 S *   | 7/2005  | Hally et al. ....       | D14/486 |
| D545,834 S *   | 7/2007  | Anthony et al. ....     | D14/488 |
| D547,765 S *   | 7/2007  | Wang et al. ....        | D14/486 |
| 7,243,299 B1 * | 7/2007  | Rubin et al. ....       | 715/209 |
| D554,139 S *   | 10/2007 | Seo .....               | D14/486 |
| D561,197 S *   | 2/2008  | Okaro et al. ....       | D14/495 |
| 7,360,172 B2 * | 4/2008  | Grossman et al. ....    | 715/839 |
| D573,605 S *   | 7/2008  | Amacker .....           | D14/488 |
| D582,929 S *   | 12/2008 | Blankenship et al. .... | D14/485 |
| D585,074 S *   | 1/2009  | Ismail .....            | D14/488 |
| D586,359 S *   | 2/2009  | Makoski et al. ....     | D14/486 |
| D590,407 S *   | 4/2009  | Watanabe et al. ....    | D14/485 |
| D591,765 S *   | 5/2009  | Amacker .....           | D14/488 |
| D593,571 S *   | 6/2009  | Ball et al. ....        | D14/485 |

(Continued)

**OTHER PUBLICATIONS**

Design U.S. Appl. No. 29/380,005, filed Nov. 29, 2010, entitled "Interface Element," Inventor(s): Oliver C. Wenz et al.

(Continued)

*Primary Examiner* — Karen E Kearney

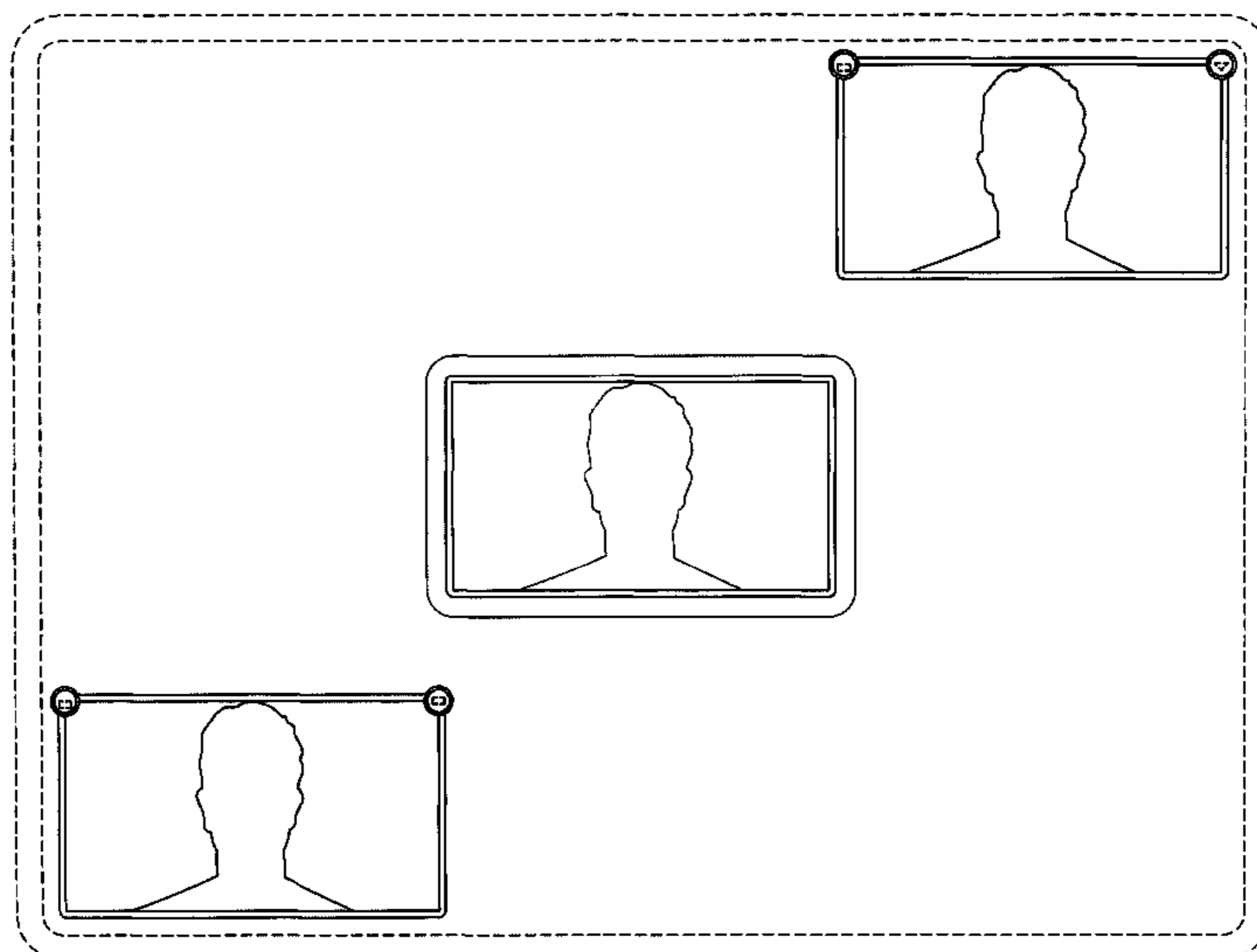
(57) **CLAIM**

The ornamental design for a display screen with a graphical interface, as shown and described.

**DESCRIPTION**

FIG. 1 is a perspective view illustrating a display screen with a graphical interface according to one embodiment; and, FIG. 2 is a front view illustrating thereof. The broken line showings of the display screen, rectangles, and triangle the figures are included for the purpose of illustrating environmental structure and portions of the display screen with a graphical interface. The broken lines form no part of the claimed design.

**1 Claim, 2 Drawing Sheets**



(56)

**References Cited**

U.S. PATENT DOCUMENTS

|              |    |   |         |                  |       |           |
|--------------|----|---|---------|------------------|-------|-----------|
| D601,582     | S  | * | 10/2009 | Chaudhri et al.  | ..... | D14/495   |
| D604,322     | S  | * | 11/2009 | Hoefnagels       | ..... | D14/488   |
| D616,895     | S  | * | 6/2010  | Ehrler et al.    | ..... | D14/486   |
| D624,930     | S  | * | 10/2010 | Agnetta et al.   | ..... | D14/487   |
| D638,432     | S  | * | 5/2011  | Flik et al.      | ..... | D14/486   |
| D642,586     | S  | * | 8/2011  | Jones et al.     | ..... | D14/485   |
| D648,741     | S  | * | 11/2011 | Lemay            | ..... | D14/493   |
| D652,427     | S  | * | 1/2012  | Willekes et al.  | ..... | D14/488   |
| 2005/0262542 | A1 | * | 11/2005 | DeWeese et al.   | ..... | 725/106   |
| 2007/0300164 | A1 | * | 12/2007 | Bhogal et al.    | ..... | 715/753   |
| 2008/0244419 | A1 | * | 10/2008 | Kurpick et al.   | ..... | 715/756   |
| 2009/0157709 | A1 | * | 6/2009  | Kruger et al.    | ..... | 707/100   |
| 2009/0177975 | A1 | * | 7/2009  | Elgar et al.     | ..... | 715/751   |
| 2010/0073454 | A1 | * | 3/2010  | Lovhaugen et al. | ..... | 348/14.03 |
| 2010/0122183 | A1 | * | 5/2010  | Babaian et al.   | ..... | 715/752   |
| 2011/0035687 | A1 | * | 2/2011  | Katis et al.     | ..... | 715/758   |
| 2012/0297320 | A1 | * | 11/2012 | Lemmey et al.    | ..... | 715/753   |

OTHER PUBLICATIONS

Design U.S. Appl. No. 29/380,007, filed Nov. 29, 2010, entitled "Interface Element," Inventor(s): Oliver C. Wenz et al.

Design U.S. Appl. No. 29/380,008, filed Nov. 29, 2010, entitled "Interface Element," Inventor(s): Oliver C. Wenz et al.  
 Design U.S. Appl. No. 29/380,011, filed Nov. 29, 2010, entitled "Interface Element," Inventor(s): Oliver C. Wenz et al.  
 Design U.S. Appl. No. 29/380,012, filed Nov. 29, 2010, entitled "Interface Element," Inventor(s): Oliver C. Wenz et al.  
 Design U.S. Appl. No. 29/380,014, filed Nov. 29, 2010, entitled "Interface Element," Inventor(s): Oliver C. Wenz et al.  
 Design U.S. Appl. No. 29/380,017, filed Nov. 29, 2010, entitled "Interface Element," Inventor(s): Oliver C. Wenz et al.  
 Design U.S. Appl. No. 29/380,018, filed Nov. 29, 2010, entitled "Interface Element," Inventor(s): Oliver C. Wenz et al.  
 Design U.S. Appl. No. 29/380,019, filed Nov. 29, 2010, entitled "Interface Element," Inventor(s): Oliver C. Wenz et al.  
 Design U.S. Appl. No. 29/380,021, filed Nov. 29, 2010, entitled "Interface Element," Inventor(s): Oliver C. Wenz et al.  
 Design U.S. Appl. No. 29/380,023, filed Nov. 29, 2010, entitled "Interface Element," Inventor(s): Oliver C. Wenz et al.  
 Vizard, Mike, "Intel CEO Demos Video Conferencing on a Smartphone," CTO Edge, Jan. 8, 2010; 2 pages; <http://www.ctoedge.com/content/intel-ceo-demos-video-conferencing-smartphone>.

\* cited by examiner

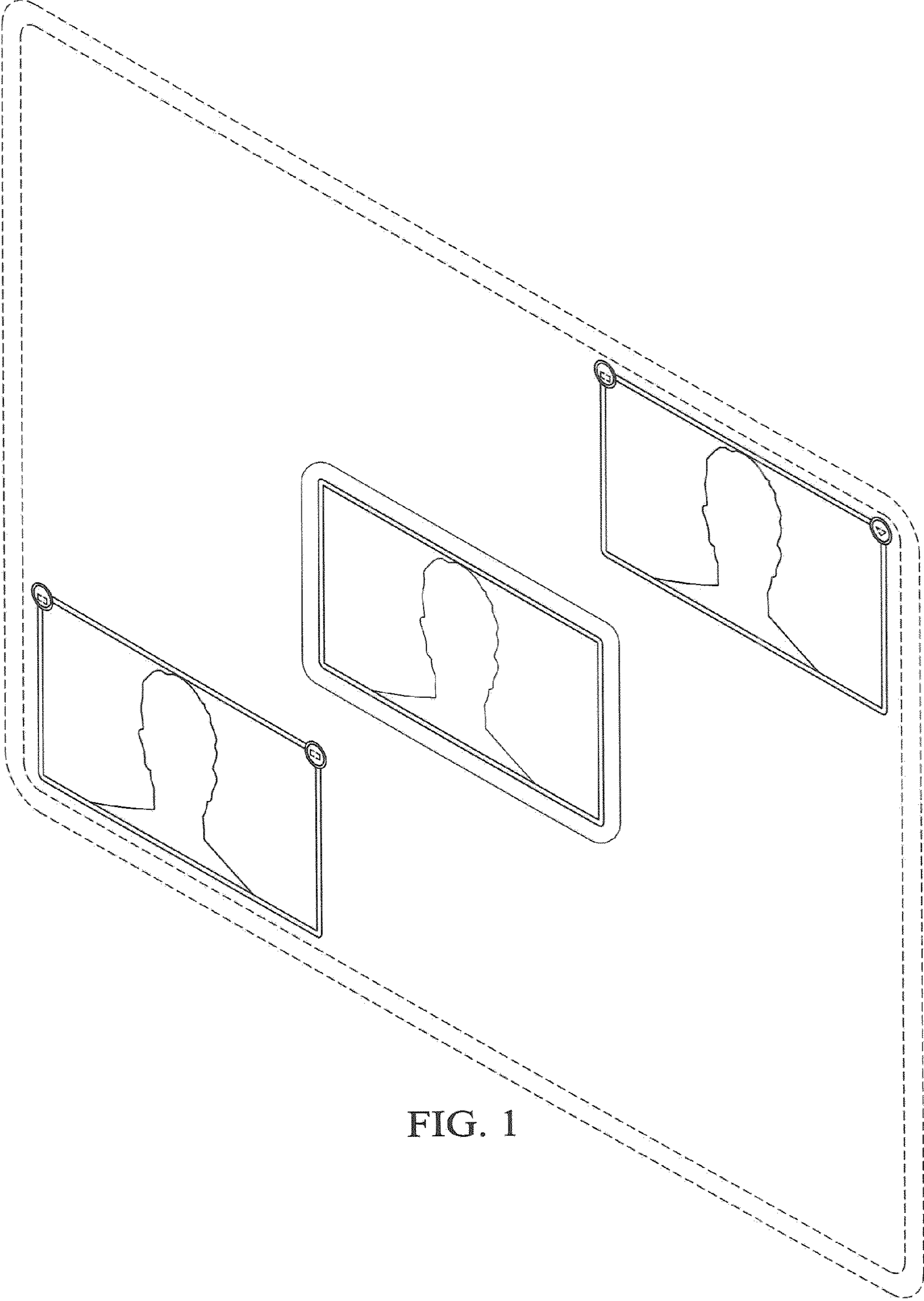


FIG. 1

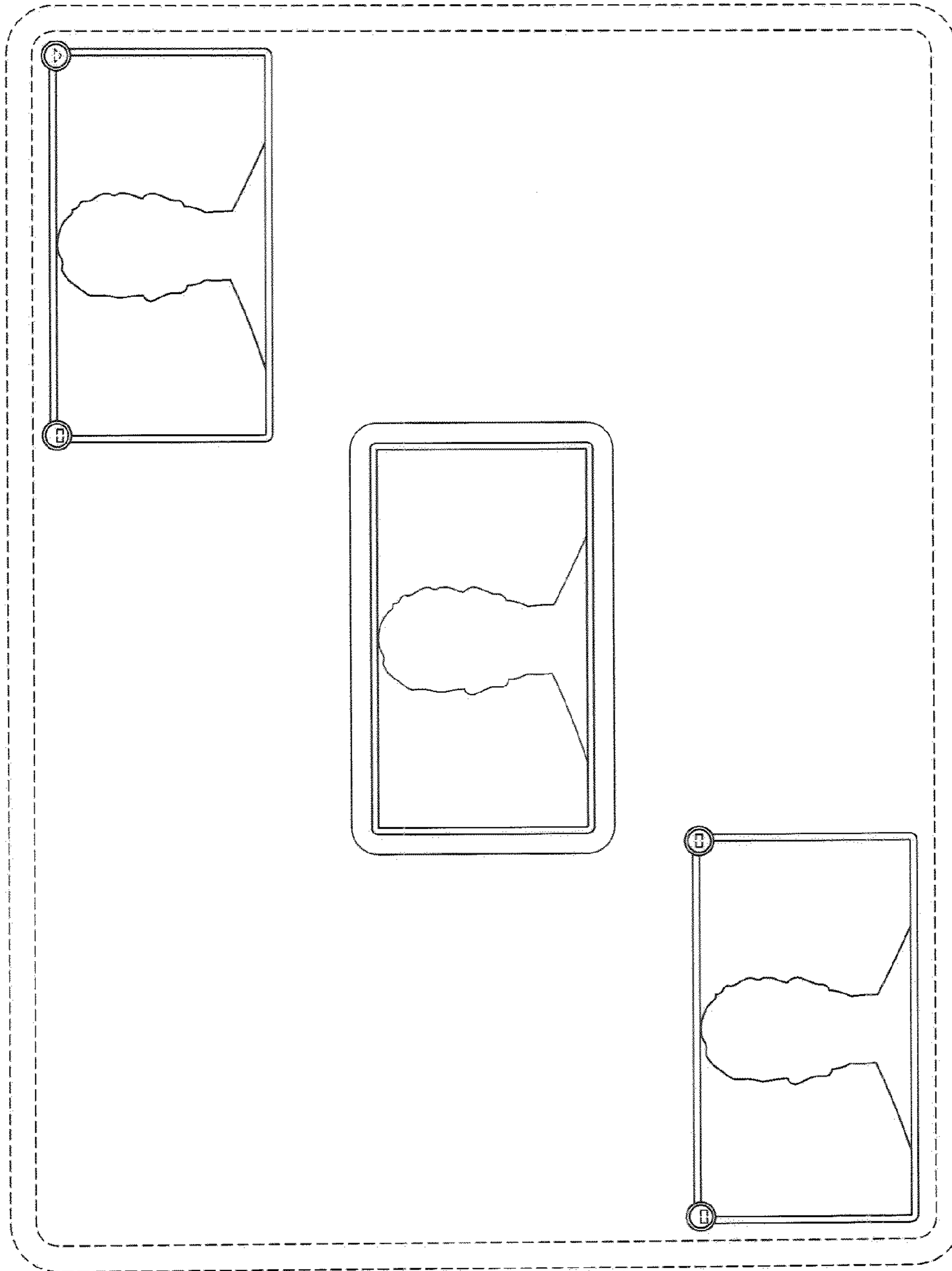


FIG. 2