

US00D692013S

(12) **United States Design Patent**
Crysell

(10) **Patent No.:** **US D692,013 S**

(45) **Date of Patent:** **** Oct. 22, 2013**

(54) **LOCKABLE SUPPORT FOR A TABLET COMPUTING DEVICE**

(56) **References Cited**

(71) Applicant: **Ergonomic Solutions International Limited, Surrey (GB)**

(72) Inventor: **Mark Crysell, Surrey (GB)**

(73) Assignee: **Ergonomic Solutions International Limited, Epsom, Surrey (GB)**

(**) Term: **14 Years**

(21) Appl. No.: **29/452,131**

(22) Filed: **Apr. 12, 2013**

(30) **Foreign Application Priority Data**

Oct. 25, 2012 (EM) 001349732-0001

(51) **LOC (9) Cl.** **08-07**

(52) **U.S. Cl.**
USPC **D14/447**

(58) **Field of Classification Search**
USPC D14/447, 432, 433, 439, 440, 451, 452, D14/239, 217, 224.1, 251, 252, 253, 457, D14/458, 459, 460, 461, 434, 205, 209.1, D14/223; D6/406.1, 406.2, 406.3, 406.4, D6/406.5, 406.6; D12/415; 361/679.09, 361/679.21, 679.22, 679.24, 679.26, 361/679.27, 679.28, 679.3, 679.55, 679.56, 361/709; 248/917-924, 133, 136, 139, 150, 248/176.1, 188.6; D13/108, 110; D8/363; D21/333

See application file for complete search history.

U.S. PATENT DOCUMENTS

D452,496 S *	12/2001	Murnaghan et al.	D14/242
D626,129 S *	10/2010	Lutz	D14/447
D640,707 S *	6/2011	Yeh	D14/447
D653,668 S *	2/2012	Song et al.	D14/447
D658,169 S *	4/2012	Mo	D14/253
8,240,628 B2 *	8/2012	Huang	248/316.1
D668,247 S *	10/2012	Kim et al.	D14/253
D674,804 S *	1/2013	Cote	D14/447
D675,212 S *	1/2013	Chen	D14/447
D677,261 S *	3/2013	Hsu et al.	D14/447
D679,716 S *	4/2013	Mo	D14/447
D684,980 S *	6/2013	Chun	D14/447
D685,804 S *	7/2013	Richter	D14/447

* cited by examiner

Primary Examiner — Angela J Lee

(74) *Attorney, Agent, or Firm* — William J. Sapone; Ware Fressola; Maguire & Barber LLP

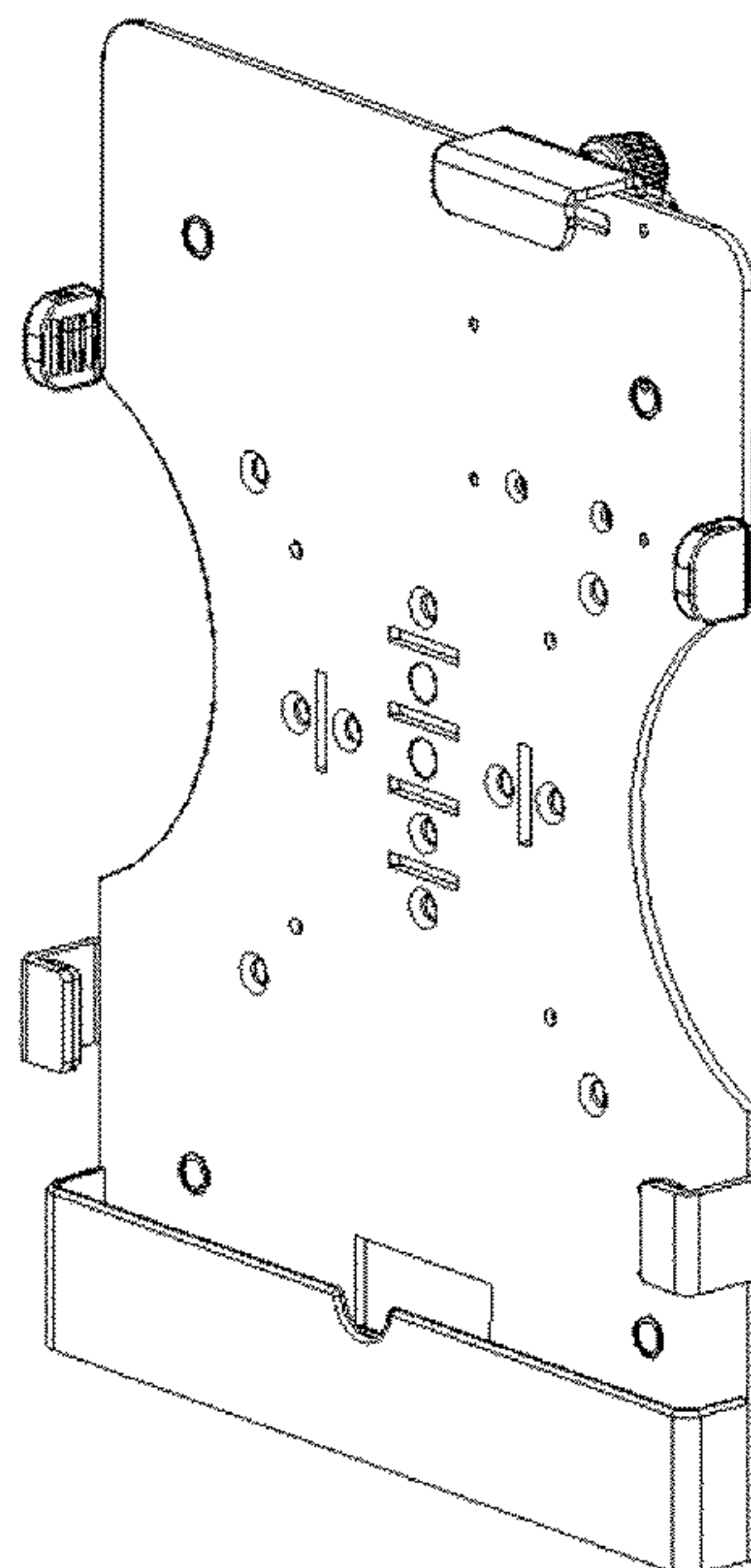
(57) **CLAIM**

I claim the ornamental design for a lockable support for a tablet computing device, as shown and described.

DESCRIPTION

FIG. 1 is a perspective view of the lockable support for a tablet computing device, showing my new design;
FIG. 2 is a front view thereof;
FIG. 3 is a rear view thereof;
FIG. 4 is a left side view thereof; and,
FIG. 5 is a right side view thereof.

1 Claim, 4 Drawing Sheets



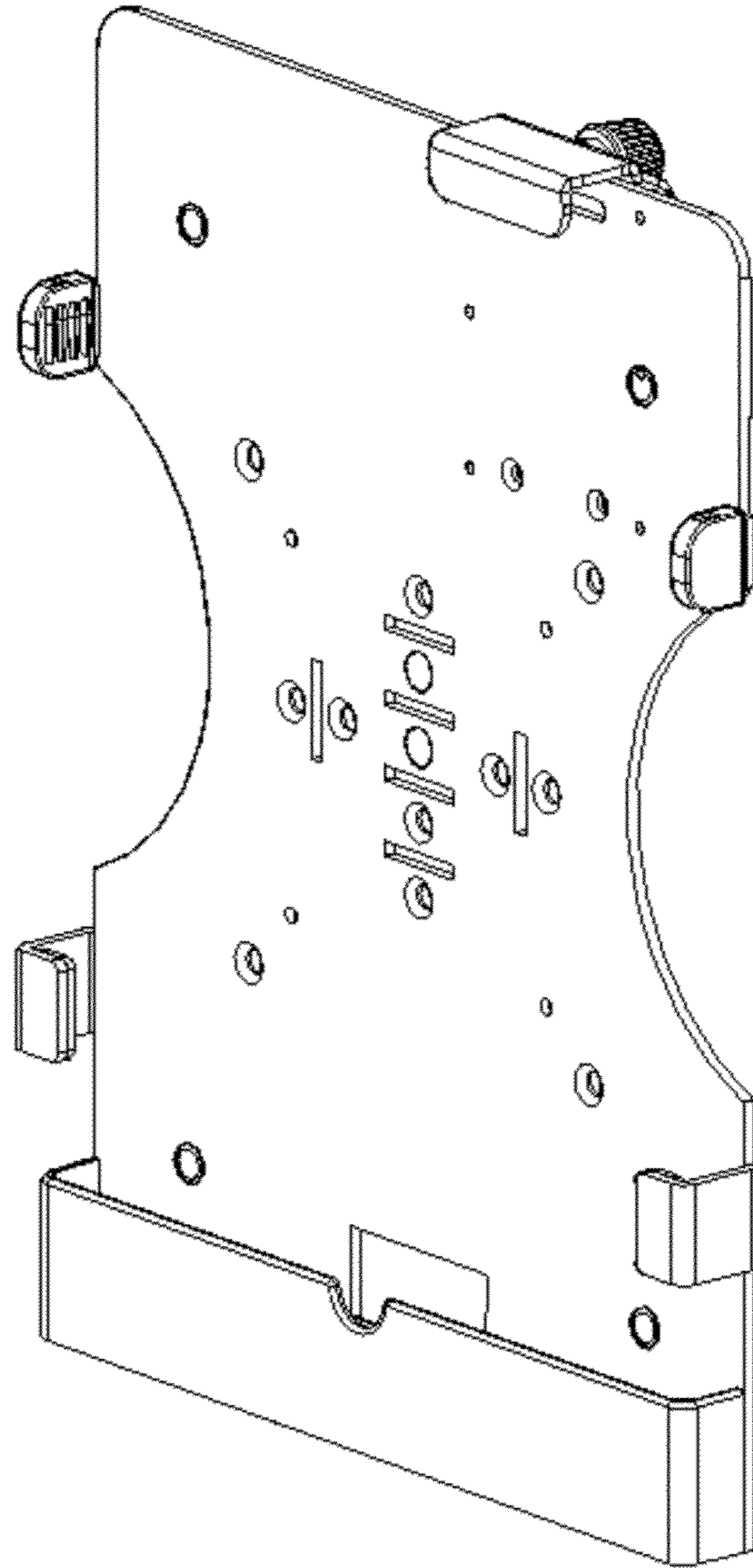


Fig. 1

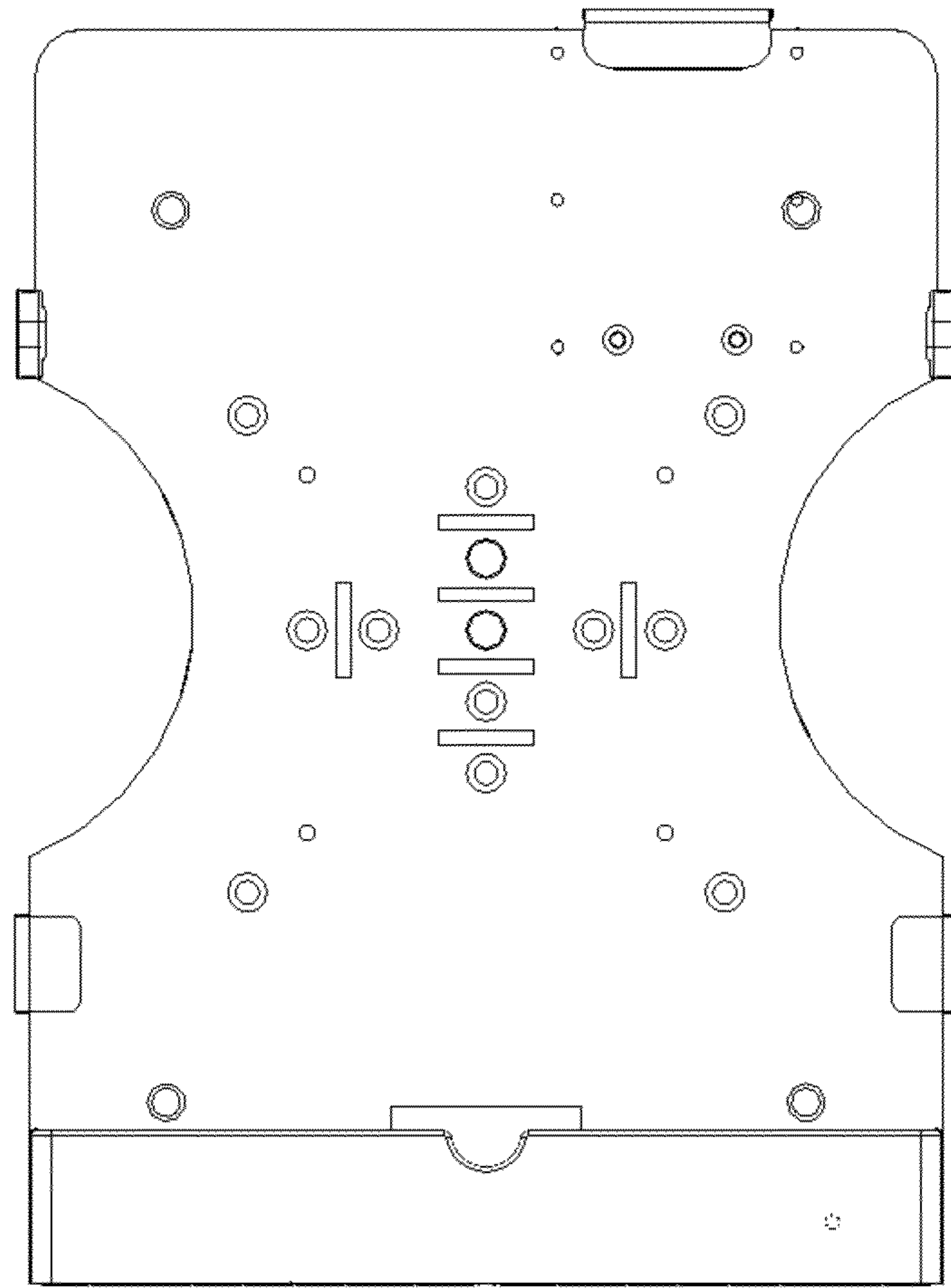


Fig. 2

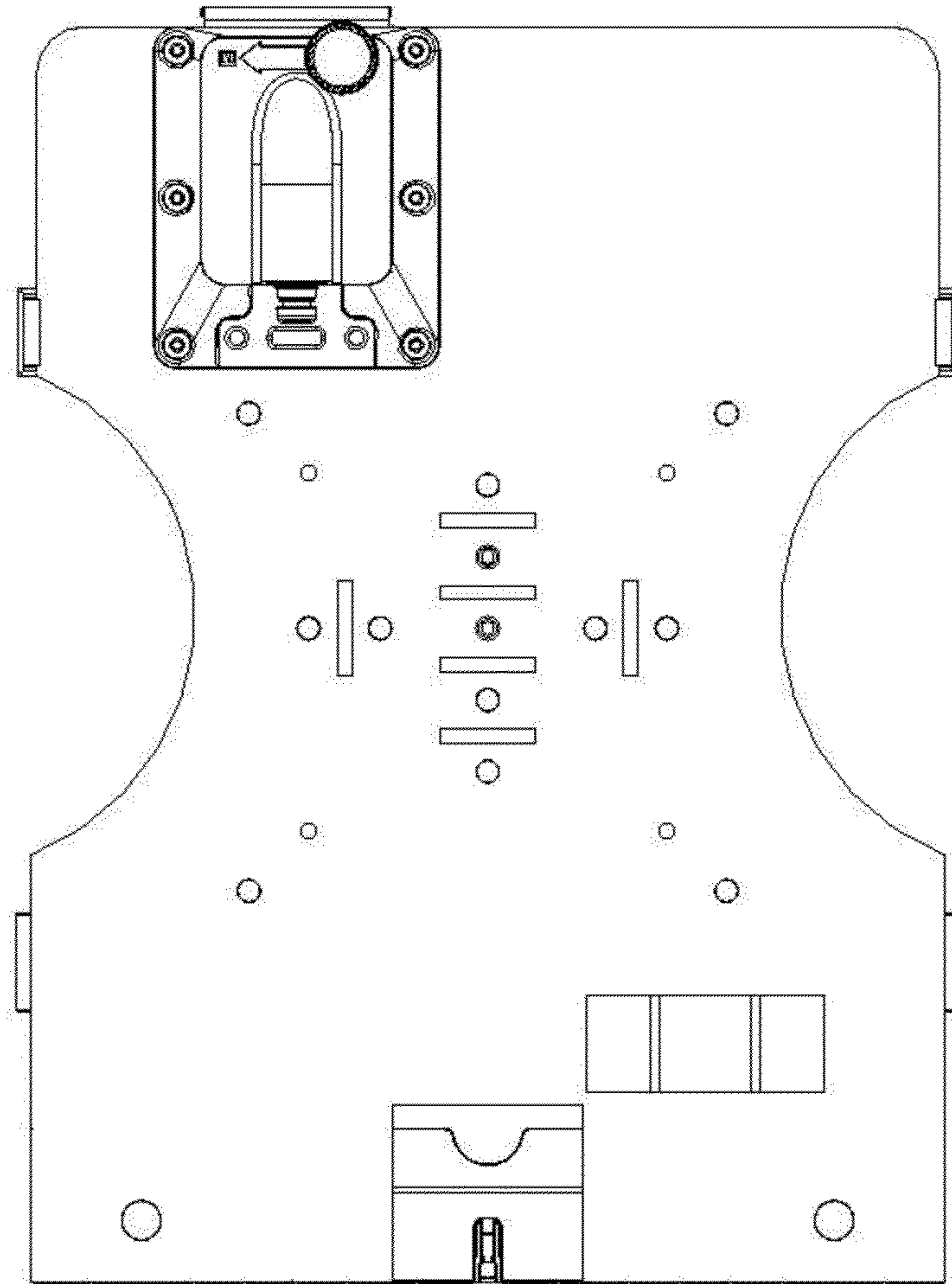


Fig. 3

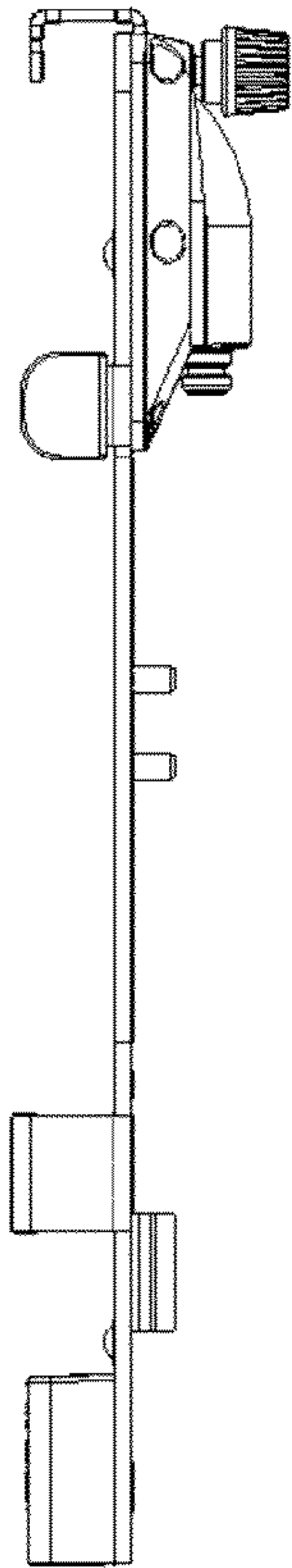


Fig. 4

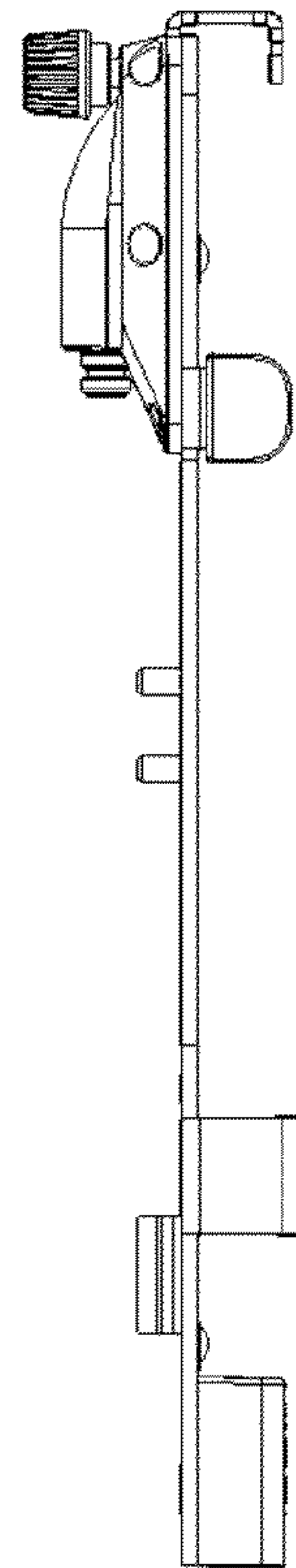


Fig. 5