

US00D692012S

(12) **United States Design Patent**  
**Thorne et al.**

(10) **Patent No.:** **US D692,012 S**  
(45) **Date of Patent:** **\*\* Oct. 22, 2013**

(54) **MOBILE PHONE DOCK**  
(71) Applicant: **Gradeable, Inc.**, Cambridge, MA (US)  
(72) Inventors: **Yarrow Thorne**, Providence, RI (US);  
**Mikaila Waters**, Cambridge, MA (US);  
**Dante Cassanego**, Cambridge, MA  
(US); **Parul Singh**, Cambridge, MA  
(US)

(73) Assignee: **Gradeable, Inc.**, Cambridge, MA (US)

(\*\*) Term: **14 Years**

(21) Appl. No.: **29/445,806**

(22) Filed: **Feb. 15, 2013**

(51) **LOC (9) Cl.** ..... **06-07**

(52) **U.S. Cl.**  
USPC ..... **D14/447; D14/253**

(58) **Field of Classification Search**  
USPC ..... D14/432, 433, 434, 439, 440, 451, 452,  
D14/239, 217, 224.1, 251, 252, 253, 457,  
D14/458, 459, 460, 461; D6/406.1, 406.2,  
D6/406.3, 406.4, 406.5, 406.6;  
361/679.06, 679.21, 679.22, 679.24,  
361/679.26, 679.27, 679.28, 679.3, 679.55,  
361/679.56, 709; 248/917-924, 133, 136,  
248/139, 150, 176.1, 188.6

See application file for complete search history.

(56) **References Cited**

U.S. PATENT DOCUMENTS

D286,833 S \* 11/1986 Cervero ..... D6/429  
D290,706 S \* 7/1987 Peart et al. .... D14/451  
5,359,741 A \* 11/1994 Lang ..... 5/507.1  
D366,781 S \* 2/1996 Cartwright ..... D6/422  
D382,904 S \* 8/1997 Comeaux et al. .... D19/90  
D409,992 S \* 5/1999 Mockett ..... D14/451

D436,760 S \* 1/2001 Dow ..... D6/474  
D451,306 S \* 12/2001 Dow ..... D6/474  
D473,072 S \* 4/2003 Seeley ..... D6/449  
D559,850 S \* 1/2008 Lye et al. .... D14/447  
D591,303 S \* 4/2009 Heggland et al. .... D14/434  
D598,024 S \* 8/2009 Scott et al. .... D14/432  
D626,964 S 11/2010 Richardson et al.  
2003/0168558 A1 \* 9/2003 Mallory et al. .... 248/163.1  
2012/0274842 A1 11/2012 Cordes

\* cited by examiner

*Primary Examiner* — Angela J Lee

(74) *Attorney, Agent, or Firm* — Eugene H. Nahm

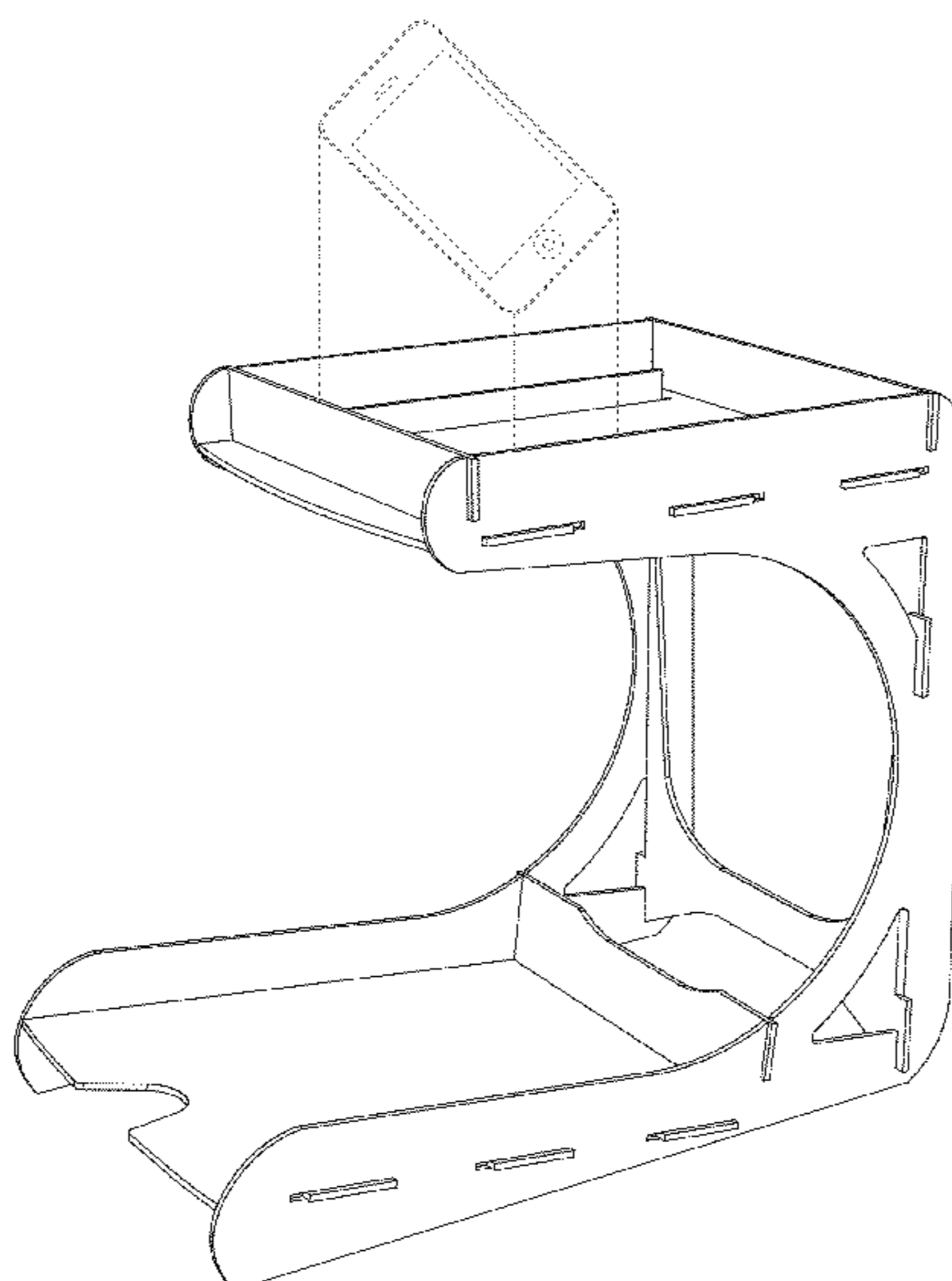
(57) **CLAIM**

The ornamental design for a mobile phone dock, as shown and described.

**DESCRIPTION**

FIG. 1 is a rear view of the mobile phone dock, which embodies my design;  
FIG. 2 is a left side view of the mobile phone dock;  
FIG. 3 is a front view of the mobile phone dock;  
FIG. 4 is a right side view of the mobile phone dock;  
FIG. 5 is a top plan view of the mobile phone dock showing my new design in use. The broken line showing of the mobile phone in FIG. 5 is for illustrative purposes only and forms no part of the claimed design;  
FIG. 6 is a top, front and right side perspective view of the mobile phone dock showing my new design in use. The broken line showing of the mobile phone in FIG. 6 is for illustrative purposes only and forms no part of the claimed design;  
FIG. 7 is a top, front, and left side perspective view of the mobile phone dock; and,  
FIG. 8 is an exploded top, front and right side perspective view of the mobile phone dock.

**1 Claim, 8 Drawing Sheets**



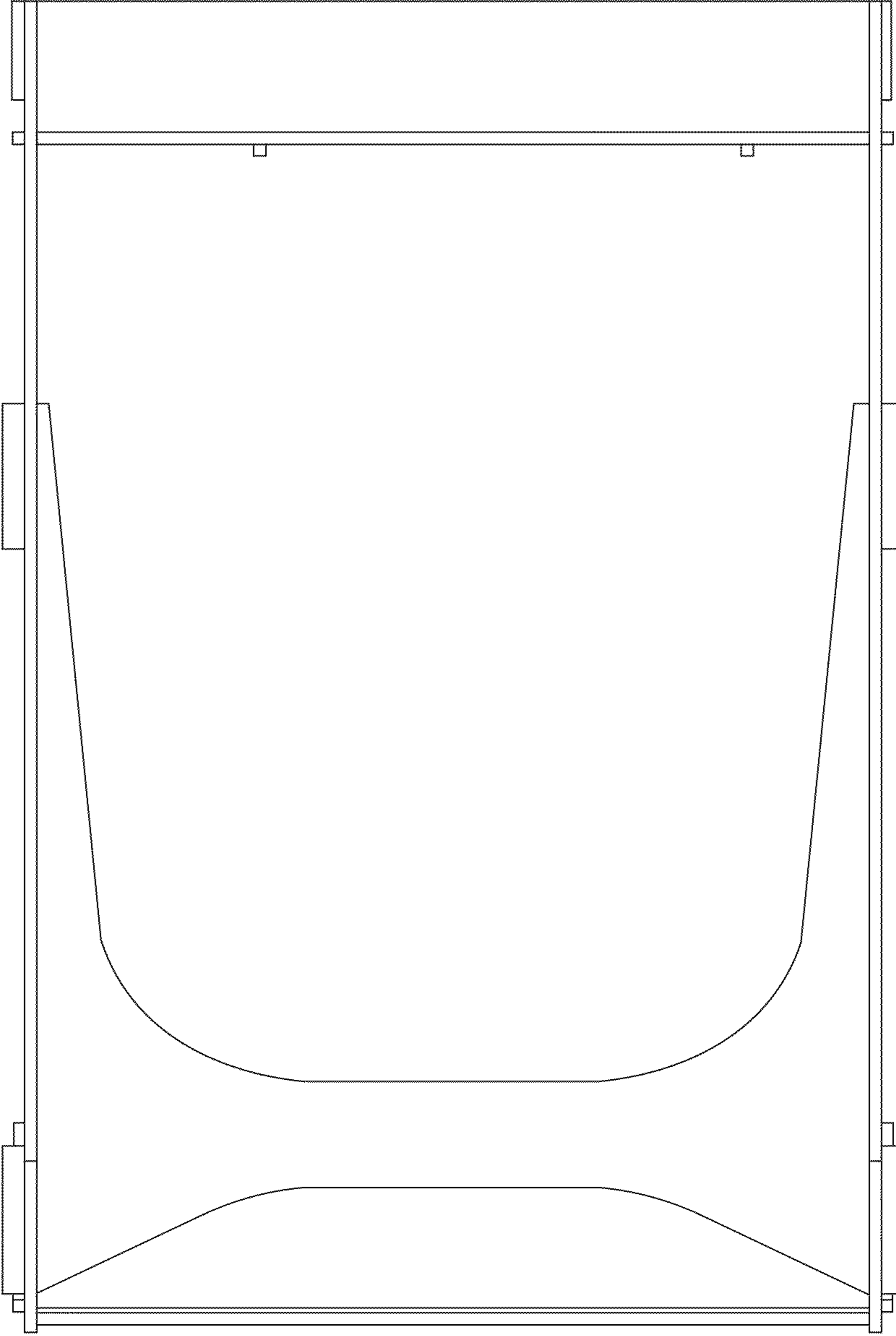


FIG. 1

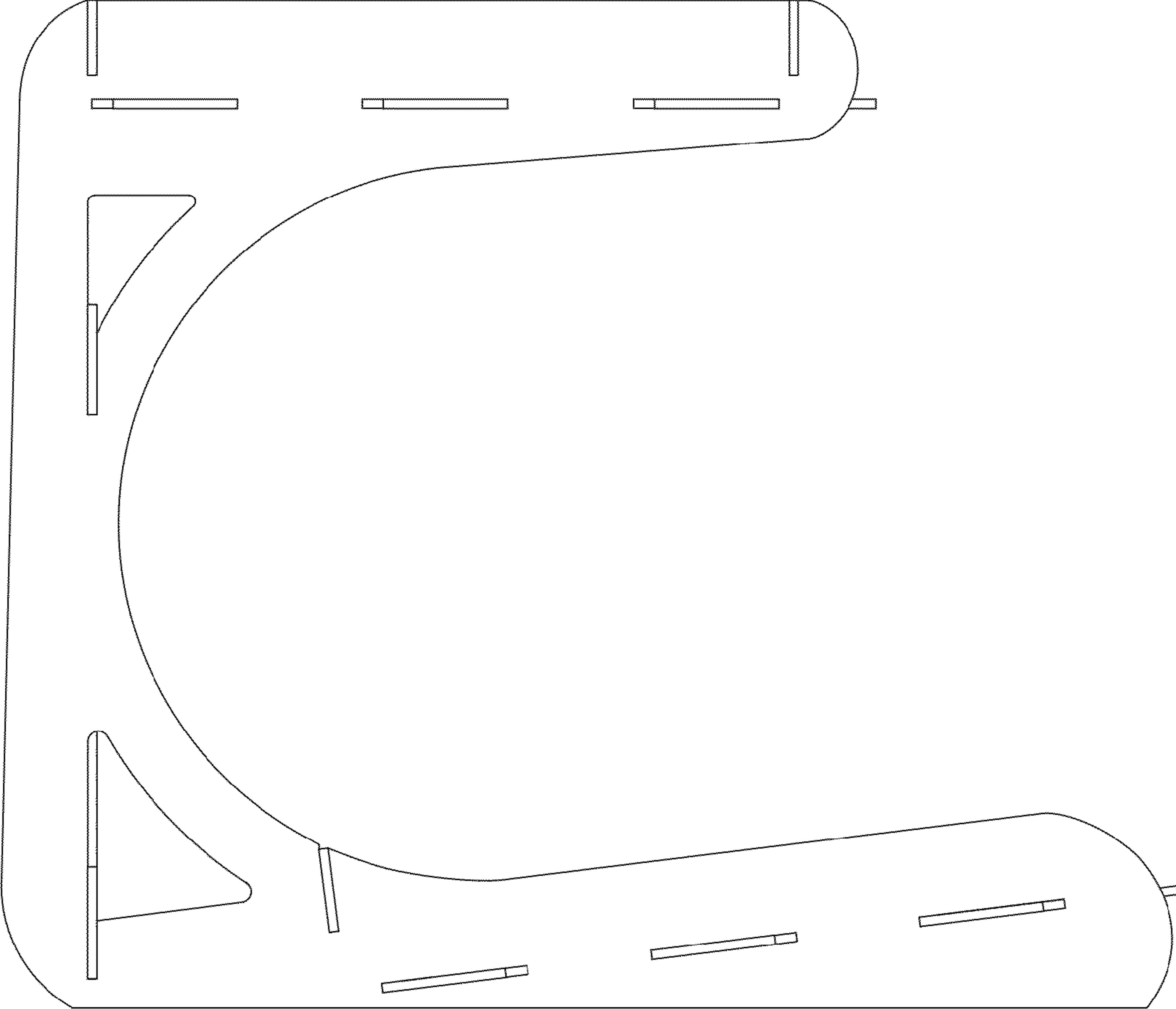


FIG. 2

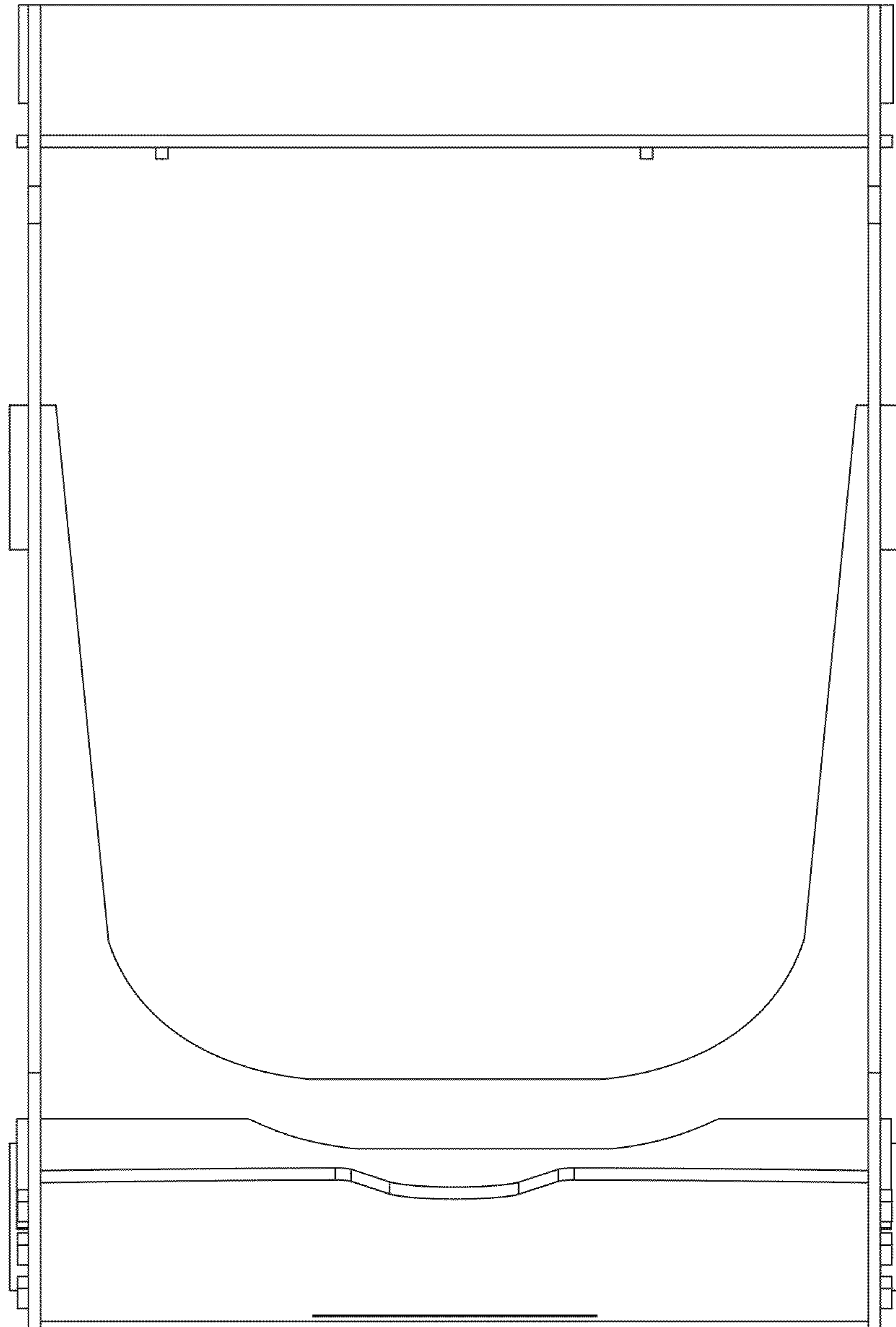


FIG. 3

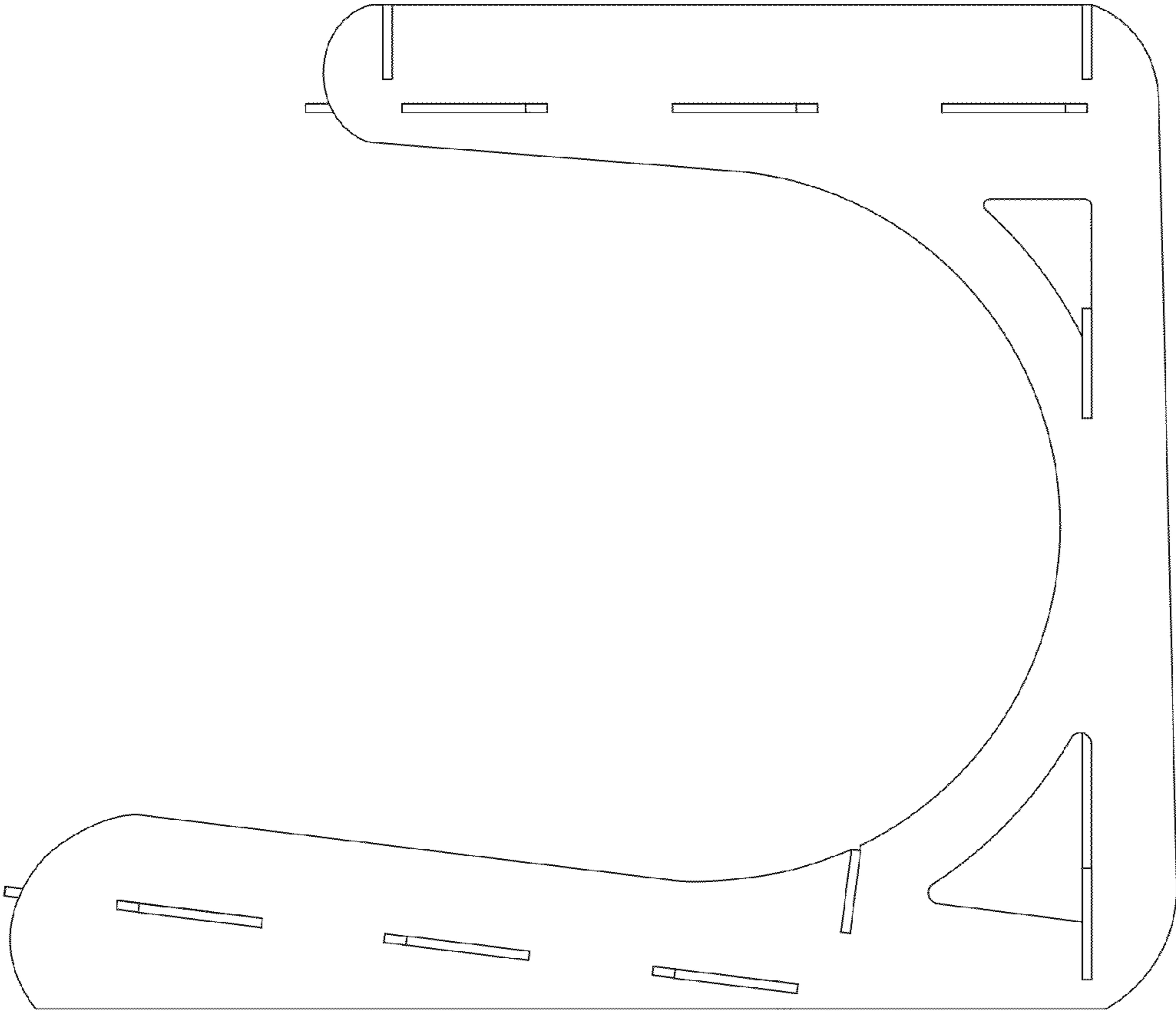


FIG. 4

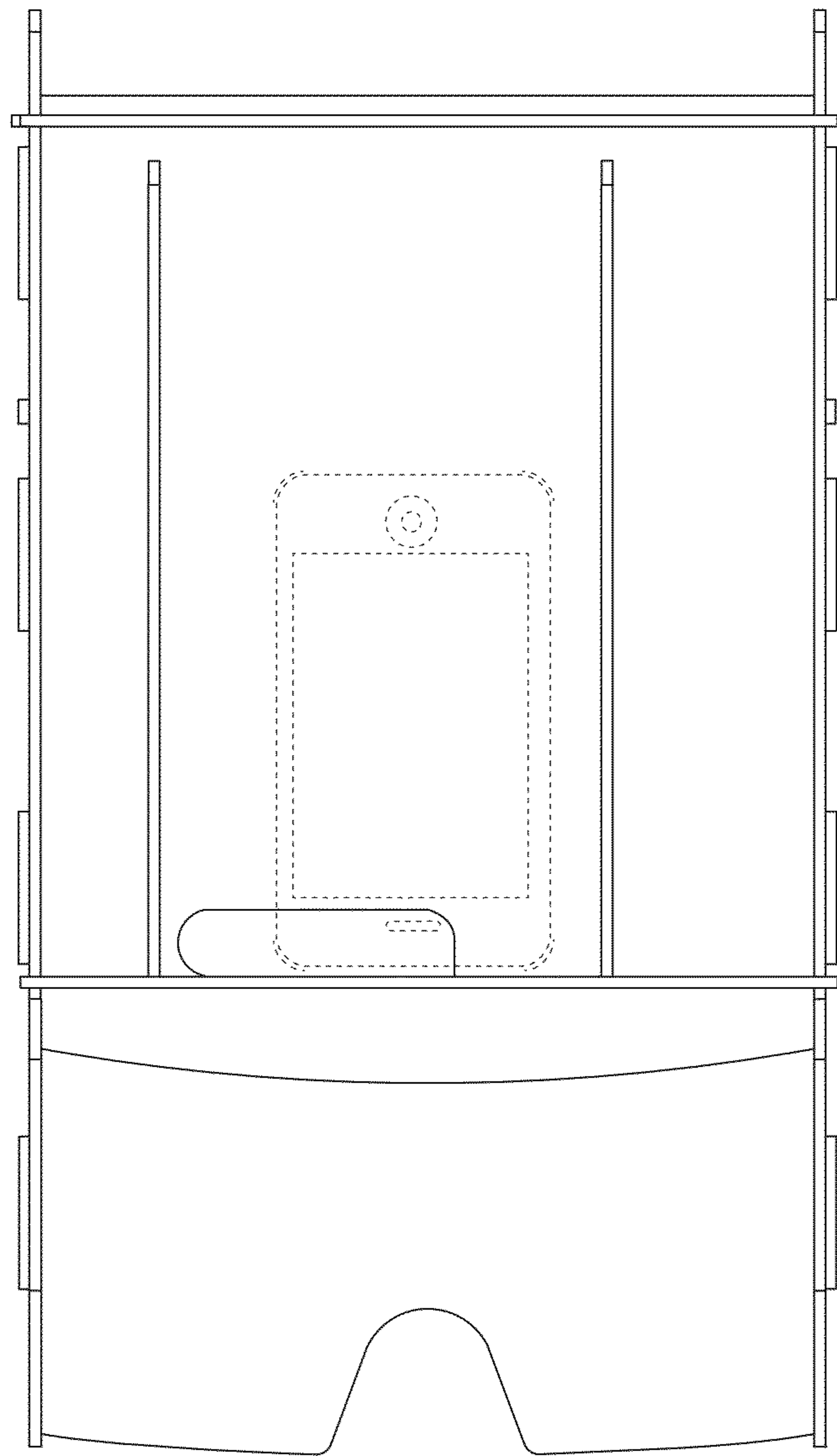


FIG. 5

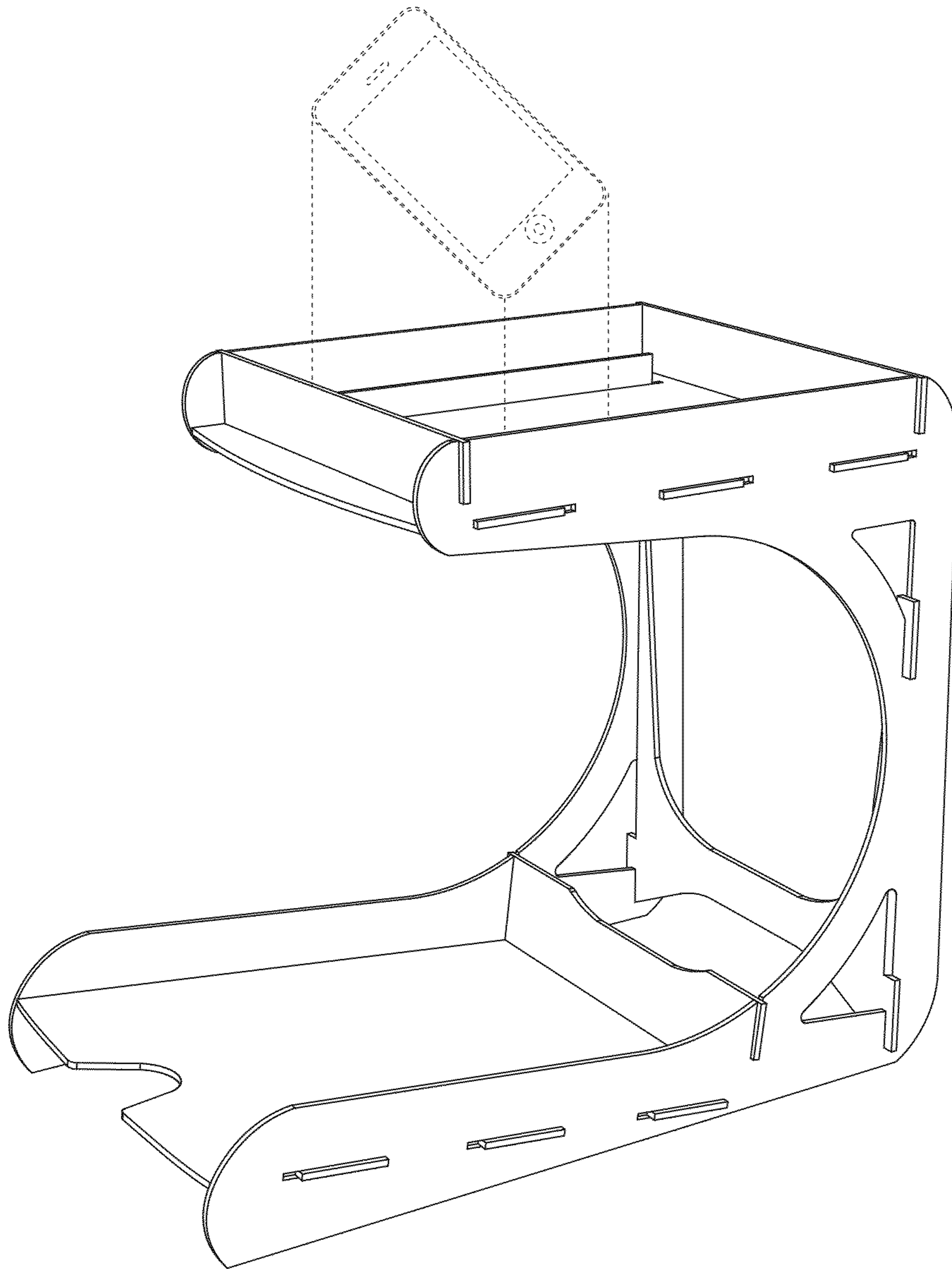


FIG. 6



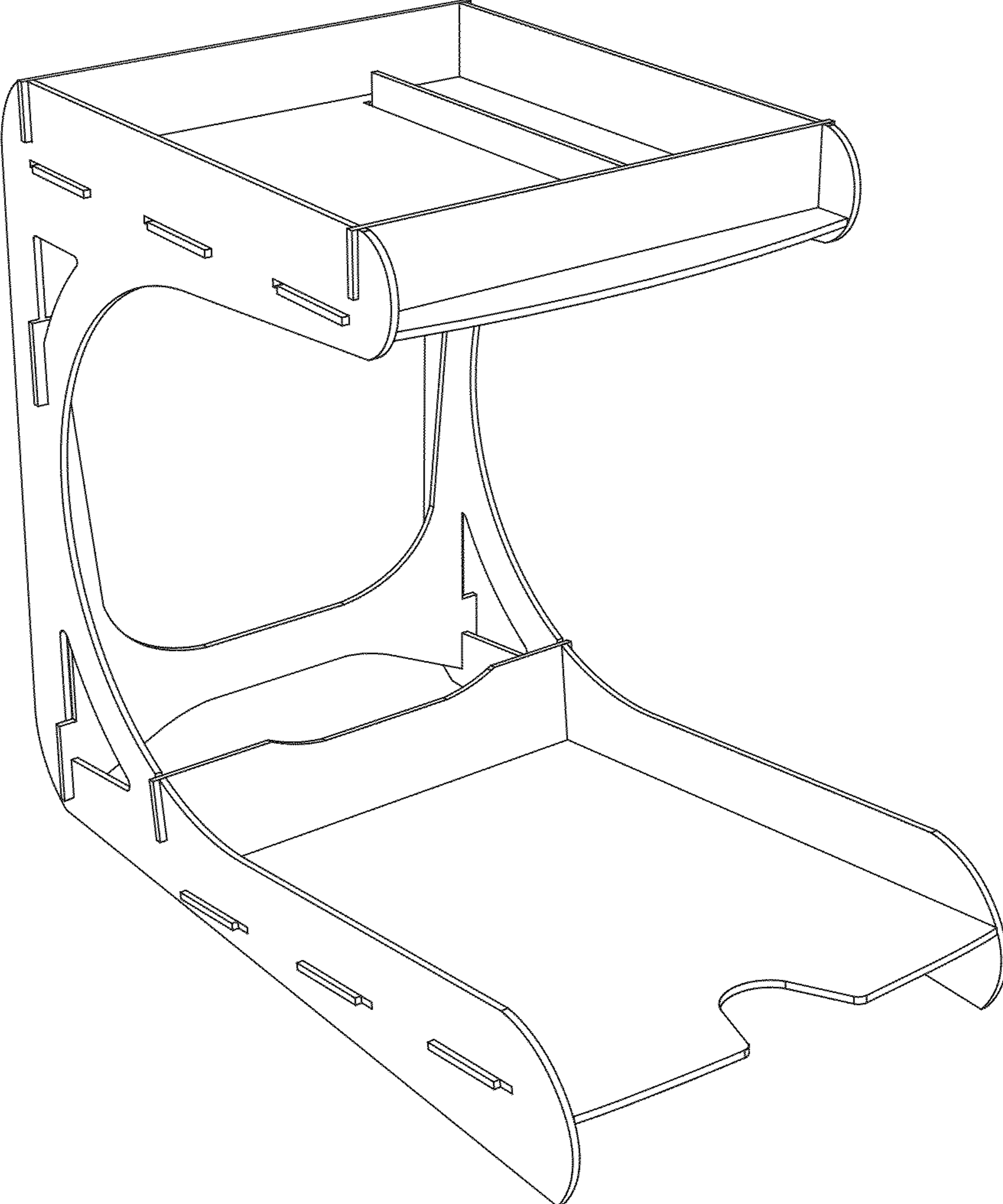


FIG. 7



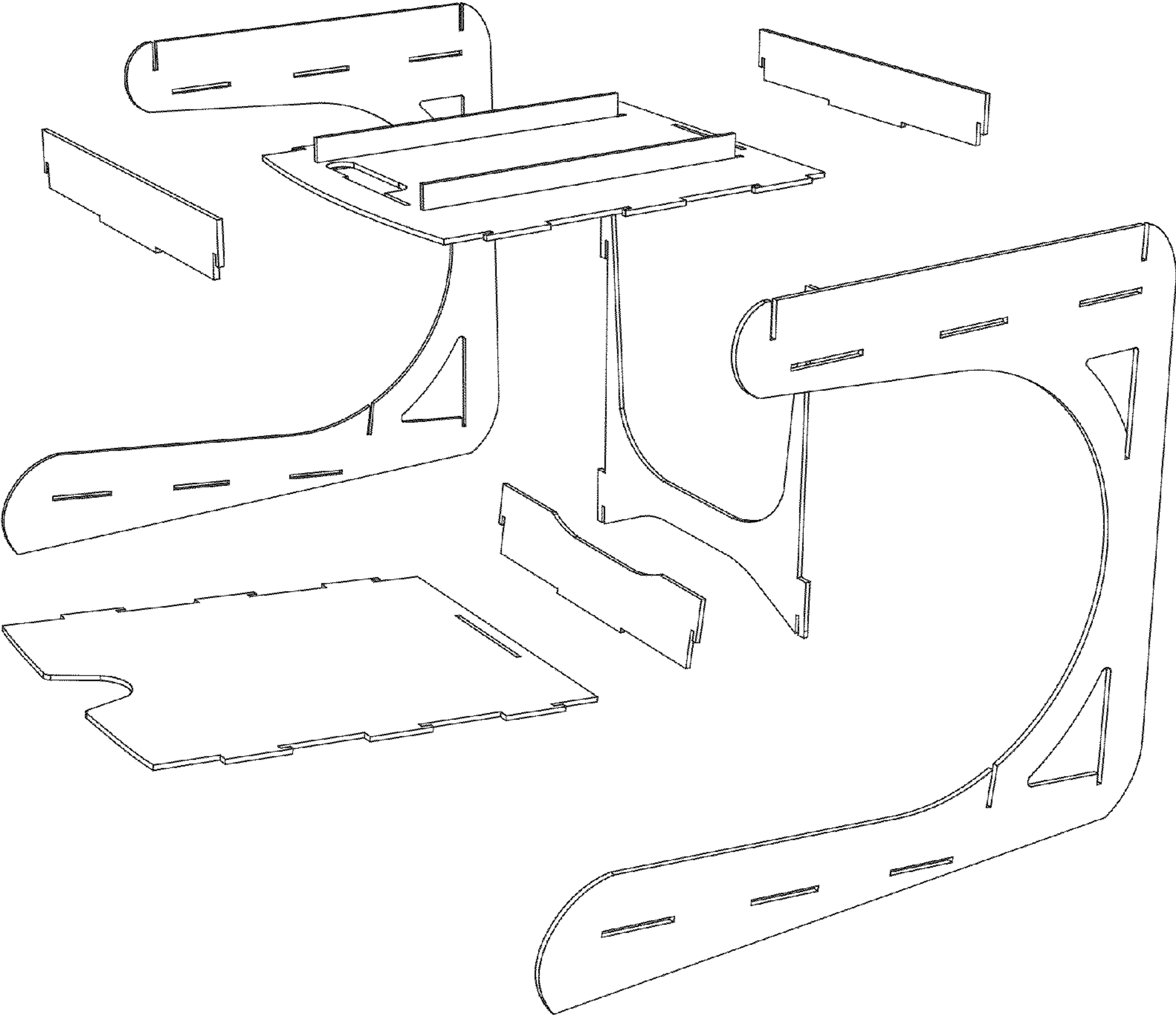


FIG. 8