



US00D692011S

(12) **United States Design Patent**
Wu et al.

(10) **Patent No.:** **US D692,011 S**

(45) **Date of Patent:** **** Oct. 22, 2013**

(54) **MULTI-DEVICE MOBILE STATION**

(71) Applicant: **Esoterism Co. Ltd.**, Taipei (TW)

(72) Inventors: **Da-chung Wu**, Taipei (TW); **An-Tung Su**, Taipei (TW); **Chih-Yao Lin**, Taipei (TW); **Chao-Yuan Wang**, Taipei (TW)

(73) Assignee: **Esoterism Co. Ltd.**, Taipei (TW)

(**) Term: **14 Years**

(21) Appl. No.: **29/439,705**

(22) Filed: **Dec. 13, 2012**

(51) **LOC (9) Cl.** **08-07**

(52) **U.S. Cl.**
USPC **D14/447**

(58) **Field of Classification Search**
USPC D14/432, 433, 434, 439, 440, 451, 452,
D14/239, 217, 224.1, 251, 252, 253, 457,
D14/458, 459, 460, 461; D6/406.1, 406.2,
D6/406.3, 406.4, 406.5, 406.6;
361/679.06, 679.21, 679.22, 679.24,
361/679.26, 679.27, 679.28, 679.3, 679.55,
361/679.56, 709; 248/917-924, 133, 136,
248/139, 150, 176.1, 188.6

See application file for complete search history.

(56) **References Cited**

U.S. PATENT DOCUMENTS

D296,852 S * 7/1988 Buchweitz et al. D6/449
D316,087 S * 4/1991 Meckstroth et al. D14/453
D361,561 S * 8/1995 Baudot D14/447

D396,033 S * 7/1998 Ahearn et al. D14/457
D473,072 S * 4/2003 Seeley D6/449
D561,763 S * 2/2008 Dinesh D14/434
D626,559 S * 11/2010 Green D14/447
D627,340 S * 11/2010 Lan et al. D14/253
D661,309 S * 6/2012 Murrer et al. D14/447
D668,662 S * 10/2012 Suiter D14/447
D671,546 S * 11/2012 Eberstein et al. D14/447
D674,395 S * 1/2013 Haarburger D14/447
D676,450 S * 2/2013 Lye D14/447

OTHER PUBLICATIONS

Expo Notes: Tesseract MacBook stand uses its power for good, Feb. 1, 2013, <http://www.macworld.com/article/2026822/expo-notes-tesseract-macbook-stand-uses-its-power-for-good.html>.*

* cited by examiner

Primary Examiner — Angela J Lee

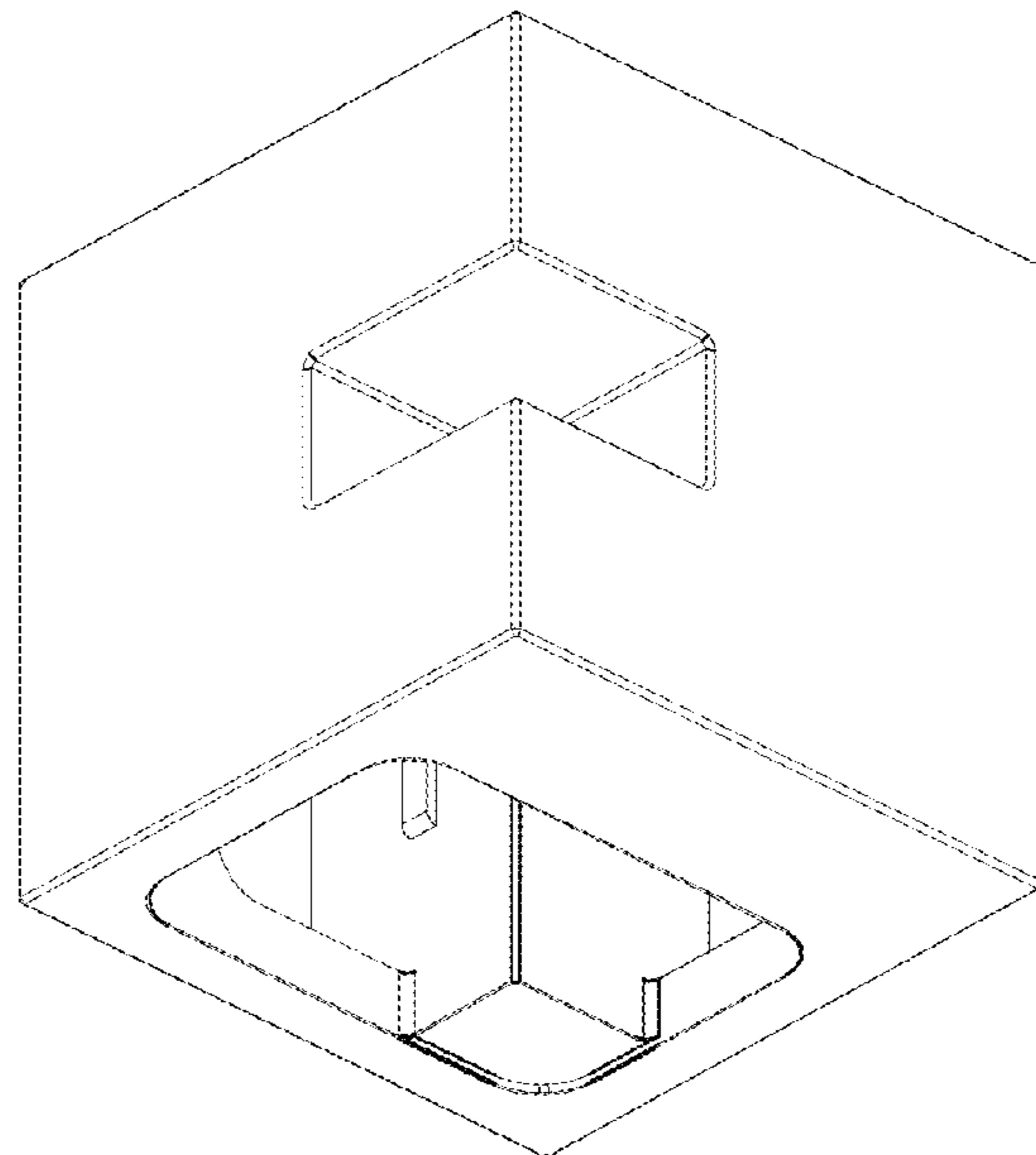
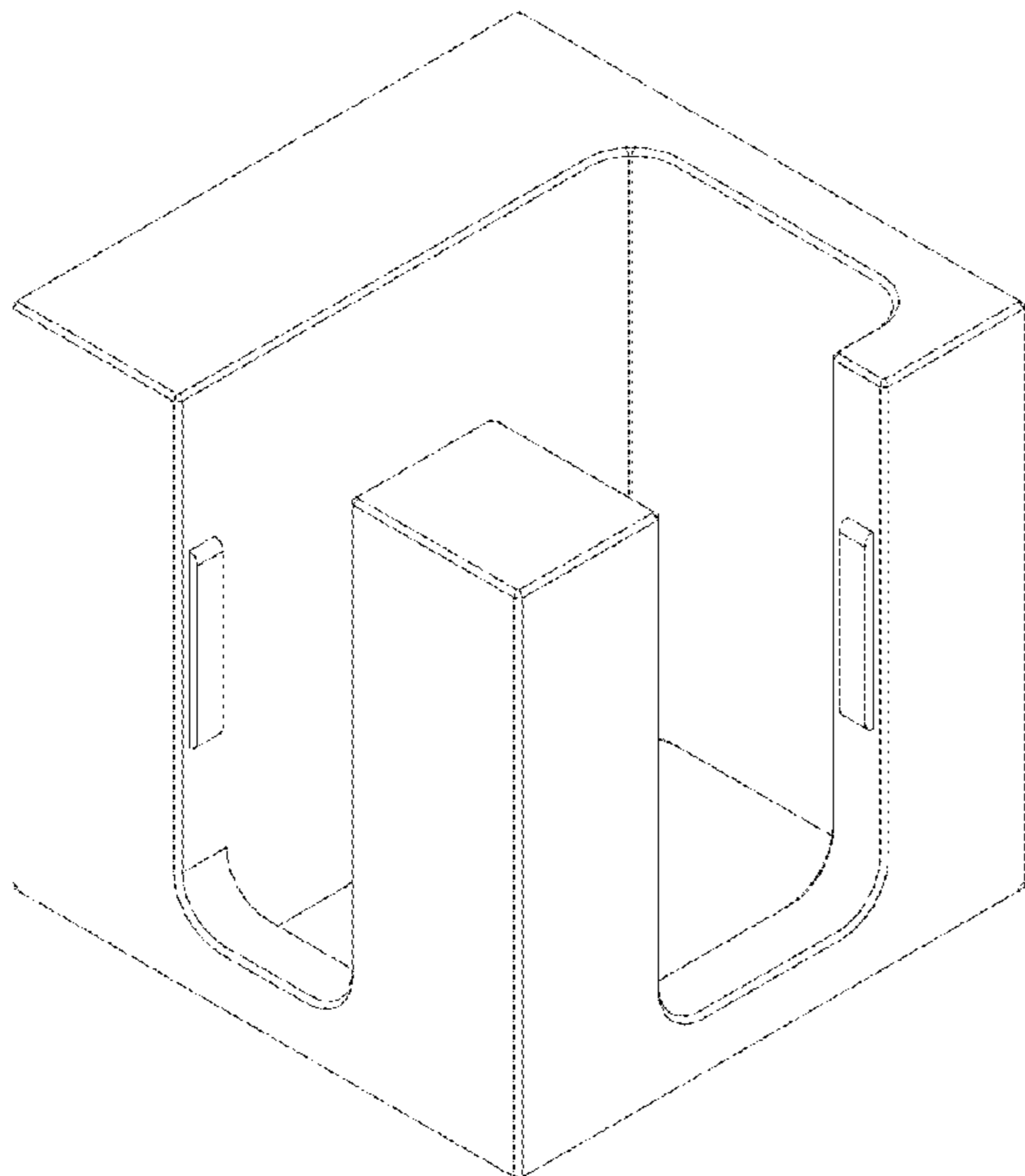
(57) **CLAIM**

The ornamental design for multi-device mobile station, as shown and described.

DESCRIPTION

FIG. 1 is a top perspective view of a multi-device mobile station,
FIG. 2 is a front elevational view thereof;
FIG. 3 is a rear elevational view thereof;
FIG. 4 is a left side elevational view thereof;
FIG. 5 is a right side elevational view thereof;
FIG. 6 is a top plan view thereof;
FIG. 7 is a bottom plan view thereof; and,
FIG. 8 is a bottom perspective view of a multi-device mobile station.

1 Claim, 8 Drawing Sheets



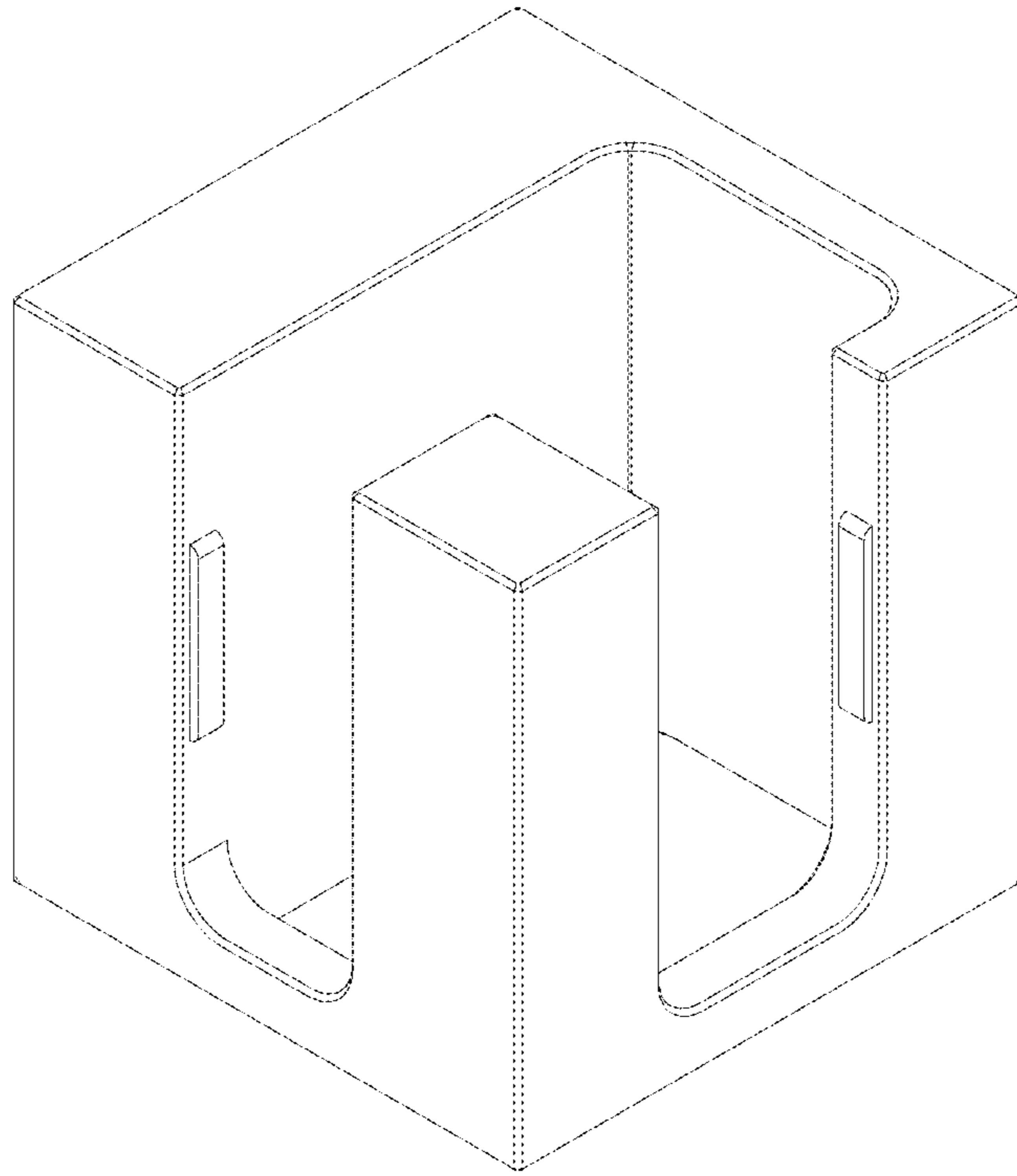


Fig. 1

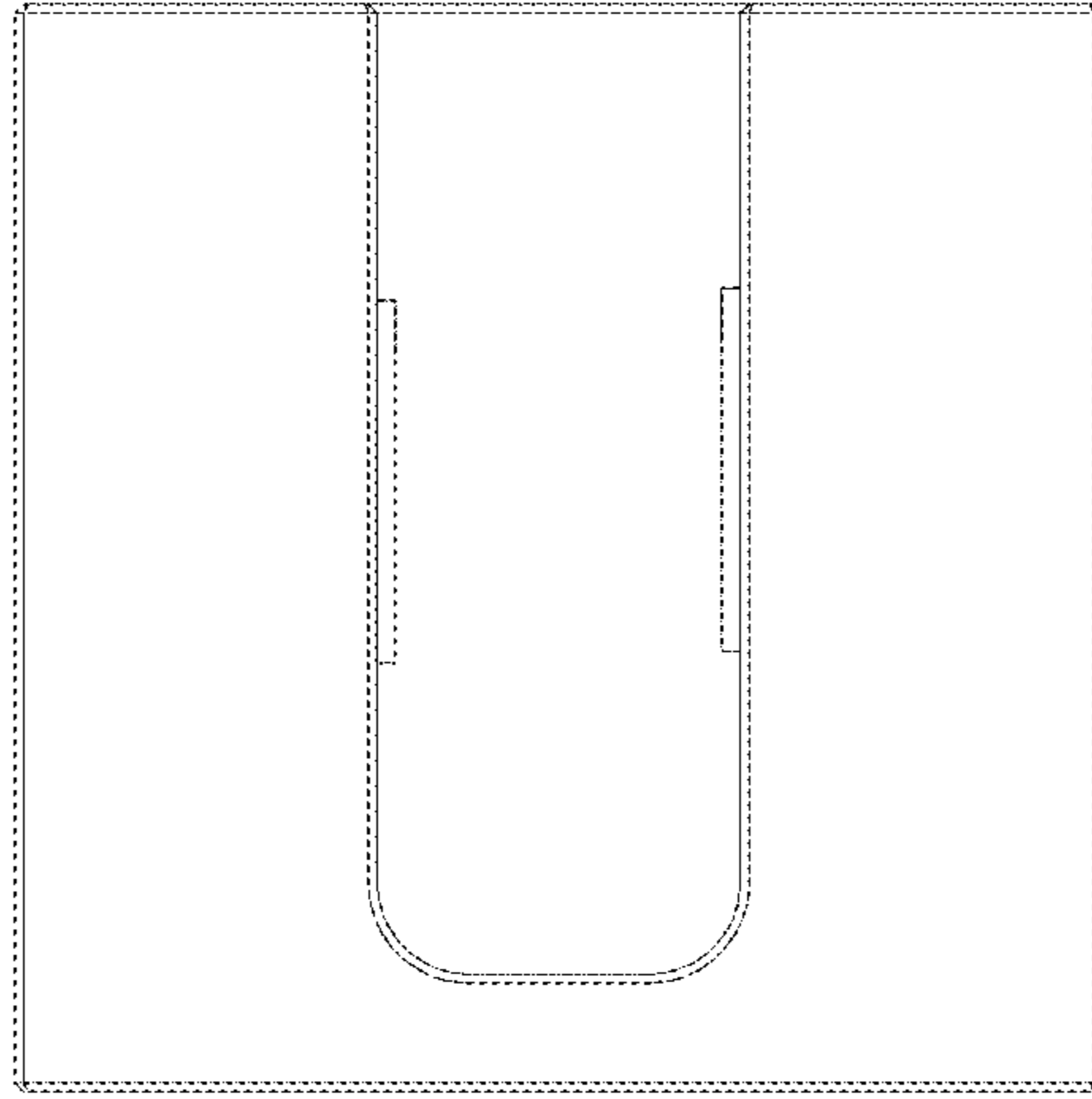


Fig. 2

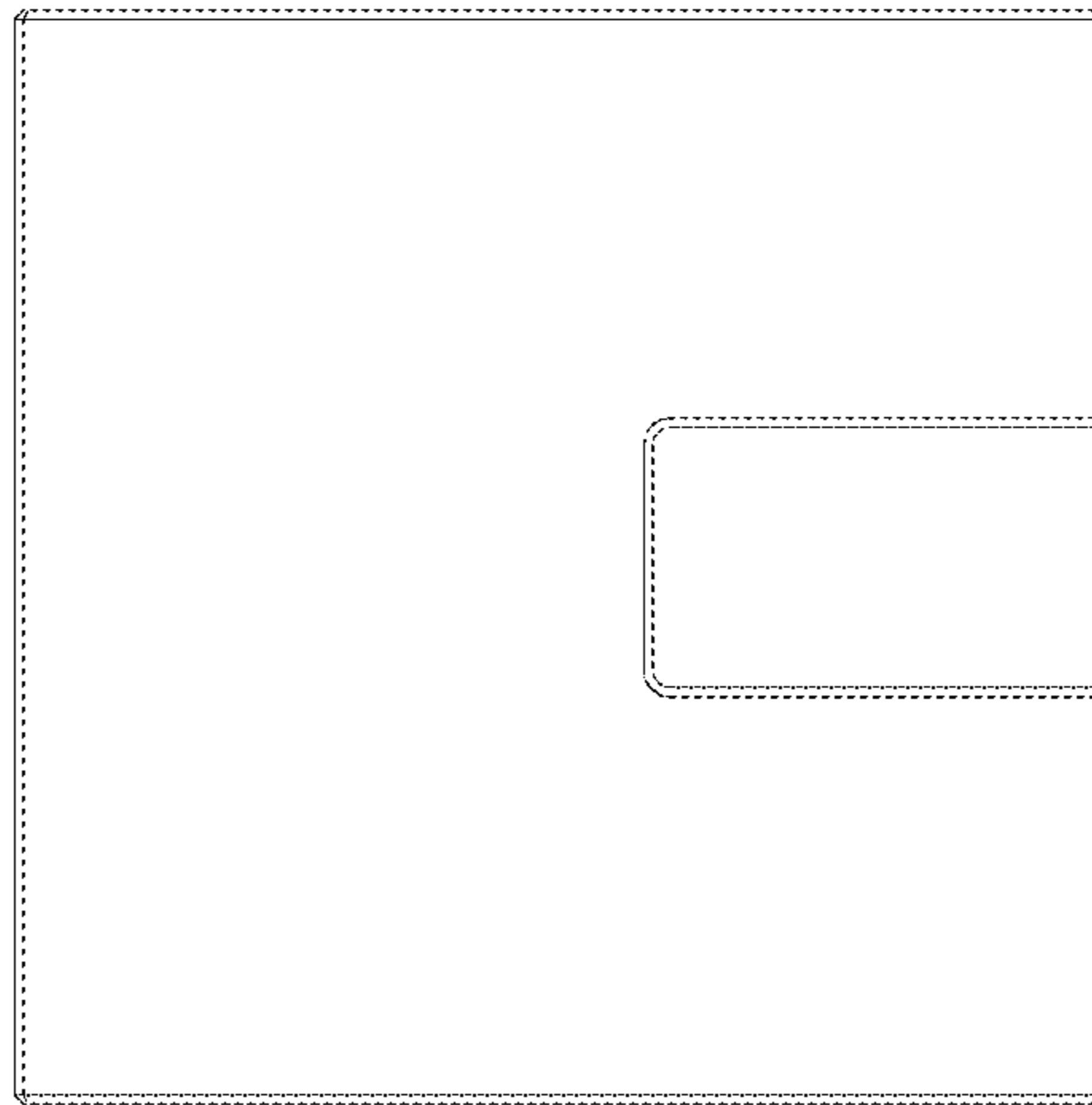


Fig. 3

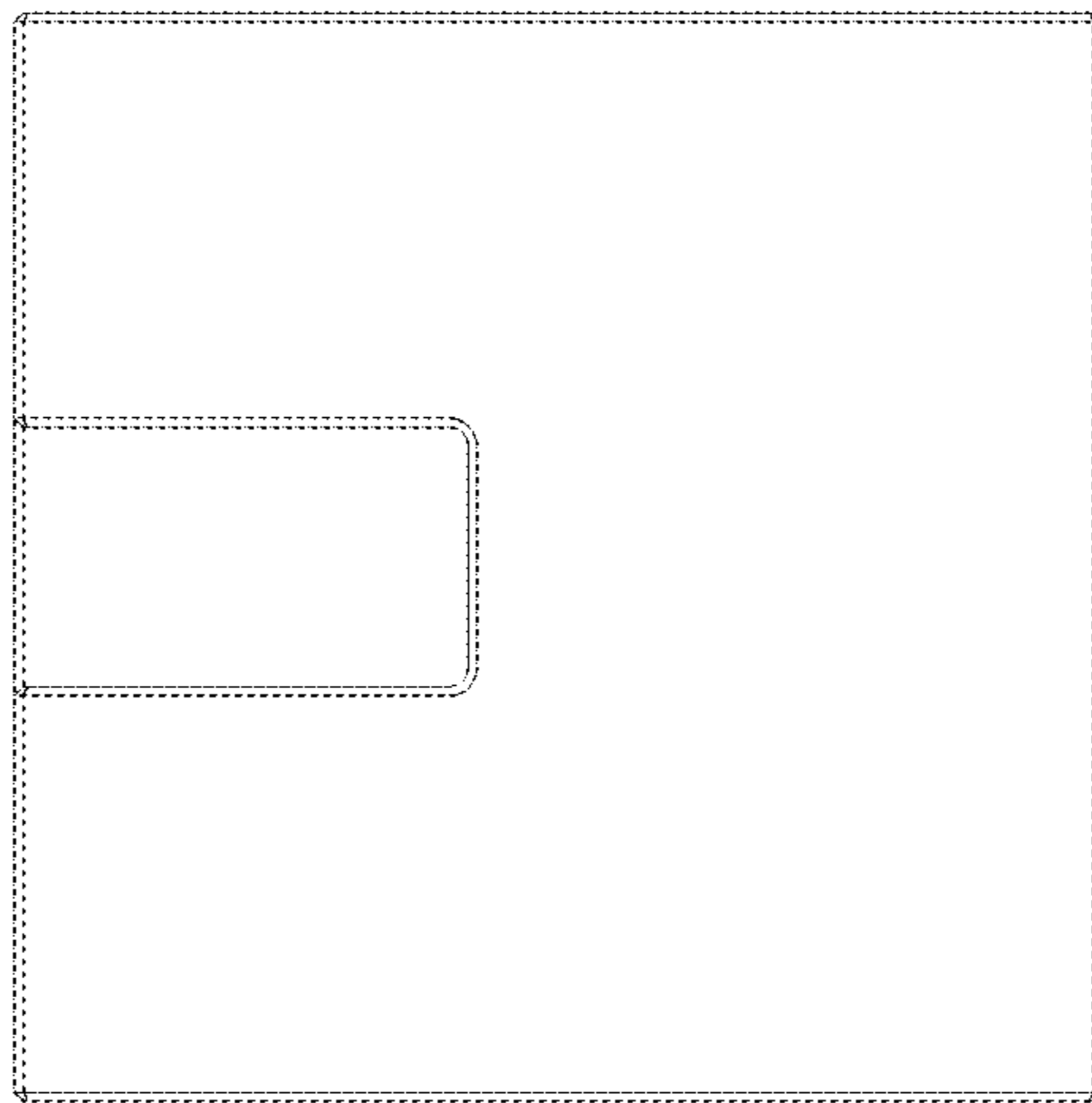


Fig. 4

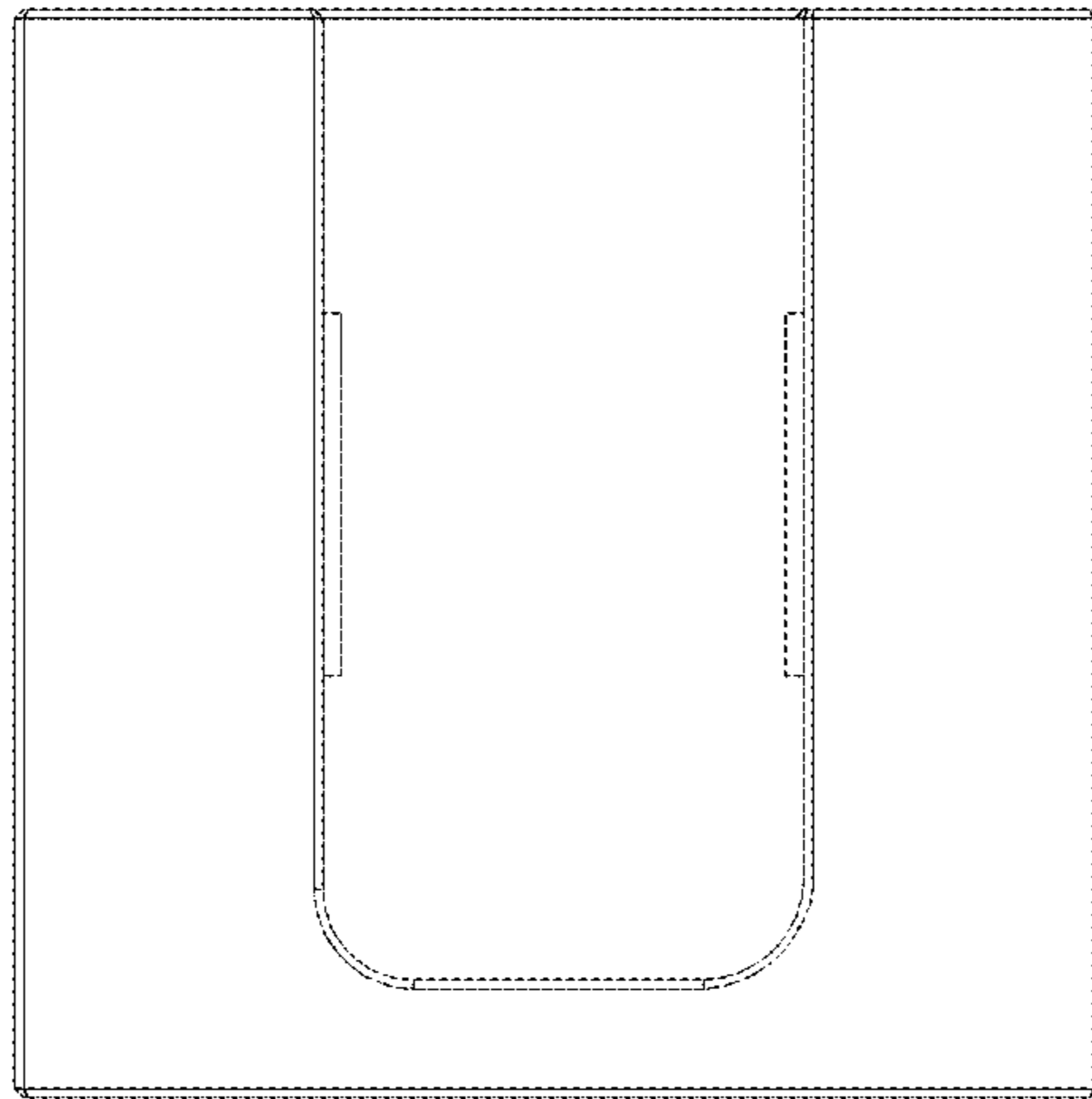


Fig. 5

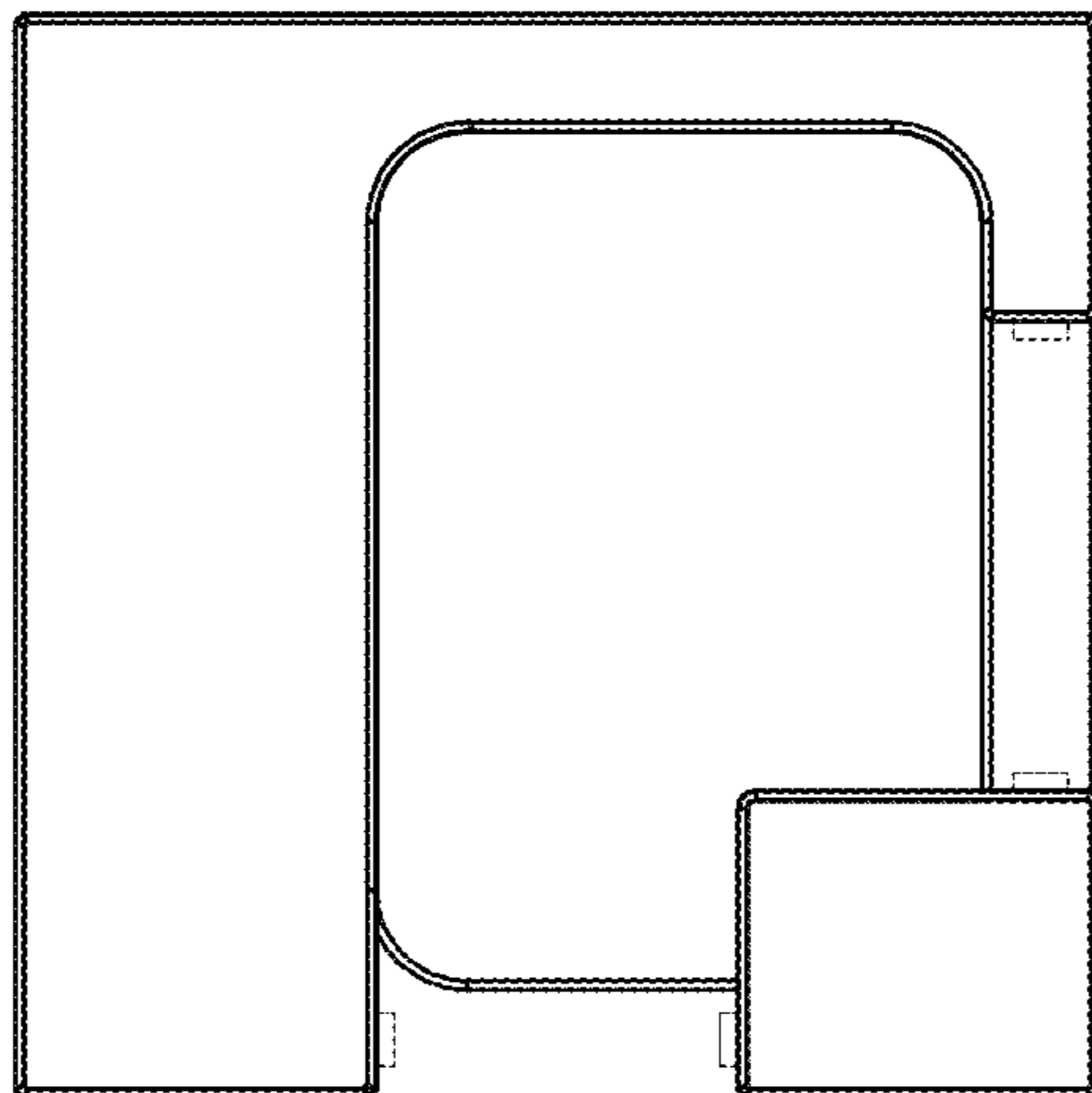


Fig. 6

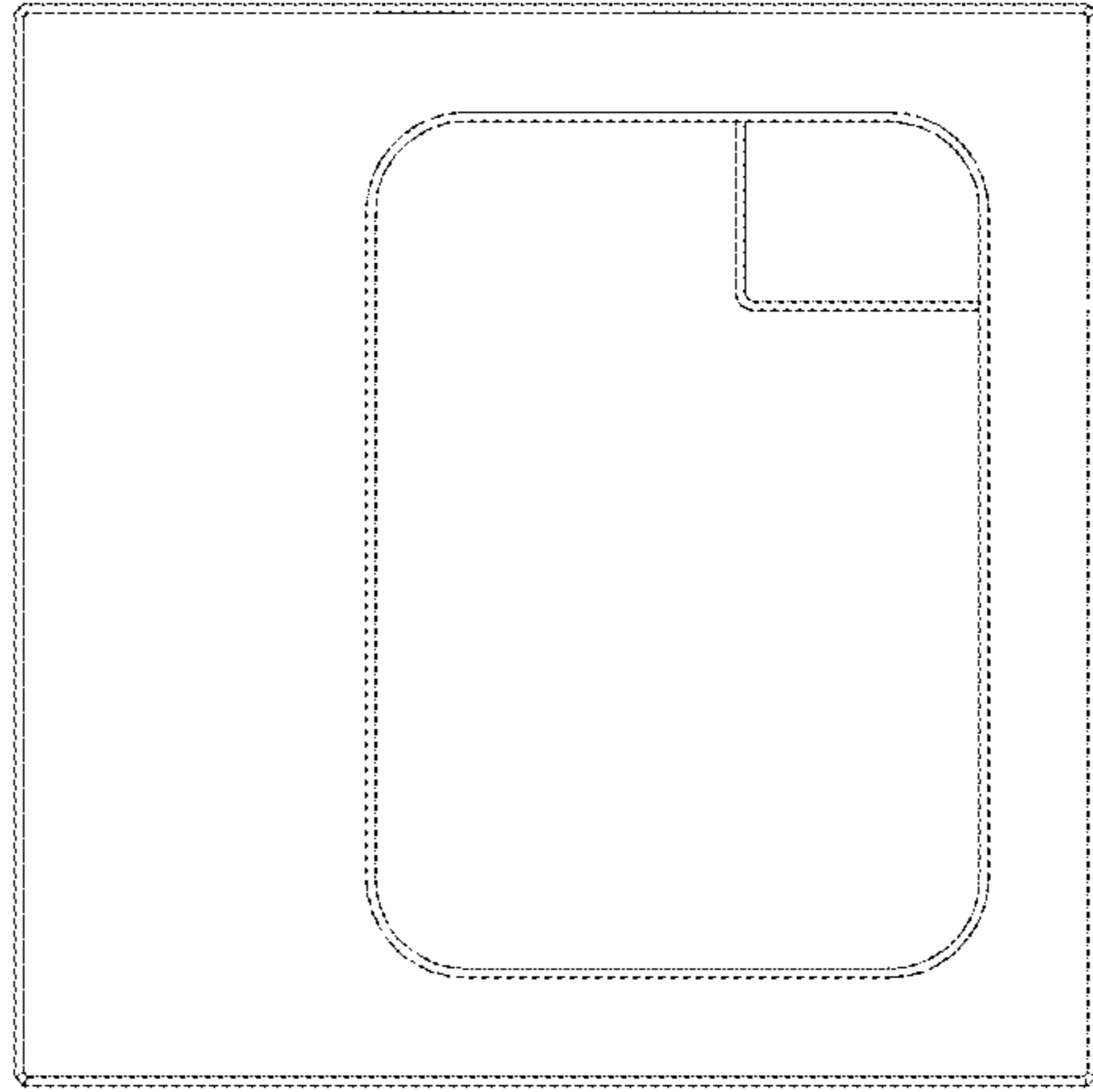


Fig. 7

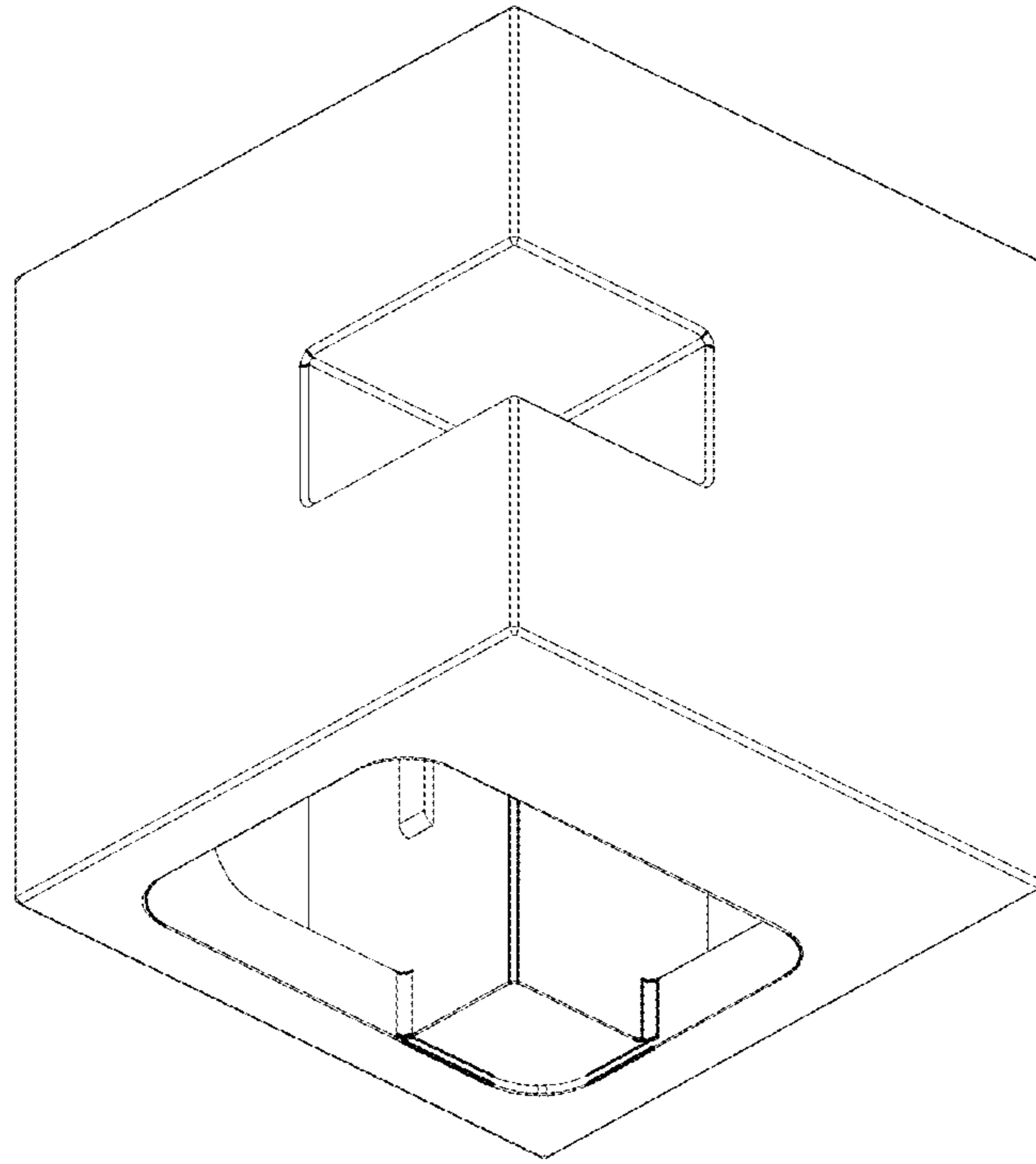


Fig. 8