

US00D692010S

(12) **United States Design Patent**
Verghese

(10) **Patent No.:** **US D692,010 S**
(45) **Date of Patent:** **** Oct. 22, 2013**

- (54) **WIRELESS POWER SOURCE**
- (71) Applicant: **WiTricity Corporation**, Watertown, MA (US)
- (72) Inventor: **Simon Verghese**, Arlington, MA (US)
- (73) Assignee: **WiTricity Corporation**, Watertown, MA (US)
- (**) Term: **14 Years**
- (21) Appl. No.: **29/436,939**
- (22) Filed: **Nov. 9, 2012**
- (51) **LOC (9) Cl.** **08-07**
- (52) **U.S. Cl.**
USPC **D14/447**
- (58) **Field of Classification Search**
USPC D14/432, 433, 434, 439, 440, 451, 452, D14/239, 217, 224.1, 251, 252, 253, 457, D14/458, 459, 460, 461; D6/406.1, 406.2, D6/406.3, 406.4, 406.5, 406.6; 361/679.06, 679.21, 679.22, 679.24, 361/679.26, 679.27, 679.28, 679.3, 679.55, 361/679.56, 709; 248/917-924, 133, 136, 248/139, 150, 176.1, 188.6; D13/108, 110
See application file for complete search history.

- D642,519 S * 8/2011 Woo et al. D13/108
- 8,056,871 B2 * 11/2011 Matias 248/176.1
- D651,213 S * 12/2011 Magness et al. D14/447
- D661,310 S * 6/2012 Belongia et al. D14/447
- D666,174 S * 8/2012 Du et al. D14/217
- D667,004 S * 9/2012 Goodrich D14/253
- D674,336 S * 1/2013 Suzuka et al. D13/108
- D677,261 S * 3/2013 Hsu et al. D14/447

* cited by examiner

Primary Examiner — Angela J Lee

(74) *Attorney, Agent, or Firm* — GTC Law Group LLP & Affiliates

(57) **CLAIM**

The ornamental design for a wireless power source, as shown and described.

DESCRIPTION

FIG. 1 is a perspective front view of a design for a wireless power source.
 FIG. 2 is a front view of the design.
 FIG. 3 is a back view of the design.
 FIG. 4 is a left side of the design.
 FIG. 5 is a right side view of the design.
 FIG. 6 is a top view of the design.
 FIG. 7 is a bottom view of the design.
 FIG. 8 is a perspective view thereof showing the wireless power source in use, the computer tablet shown in broken lines; and,
 FIG. 9 is a perspective view thereof showing the wireless power source in use, the two mobile handsets shown in broken lines.
 The broken lines showing a computer tablet and mobile handsets are for environmental purposes only and form no part of the claimed design.

1 Claim, 8 Drawing Sheets

(56) **References Cited**

U.S. PATENT DOCUMENTS

- D323,435 S * 1/1992 Palacios D6/406.3
- D557,698 S * 12/2007 Lye D14/447
- D576,168 S * 9/2008 Ostroff D14/447
- D636,724 S * 4/2011 Nomi et al. D13/108
- D639,816 S * 6/2011 Bau D14/447

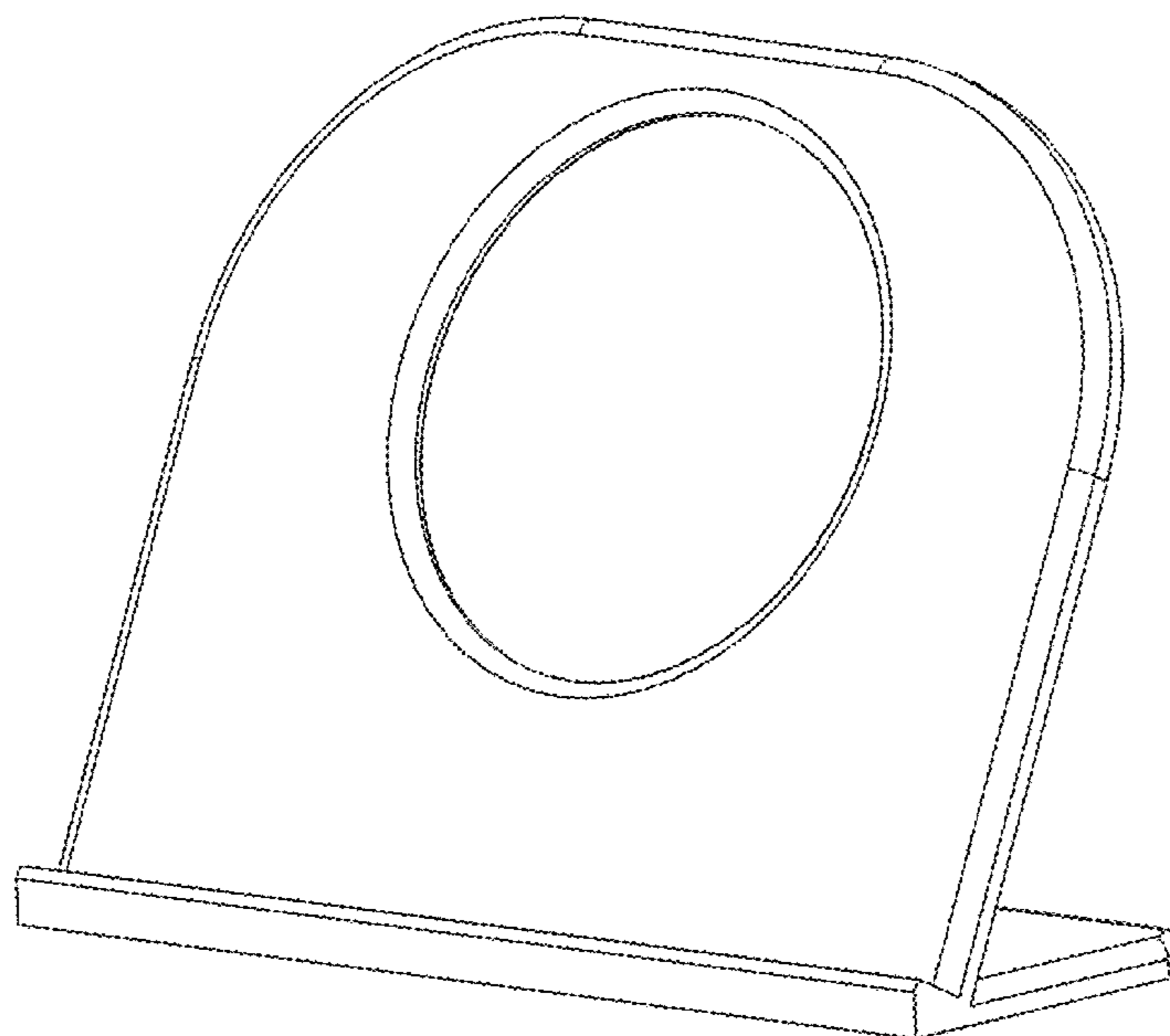


Fig. 1

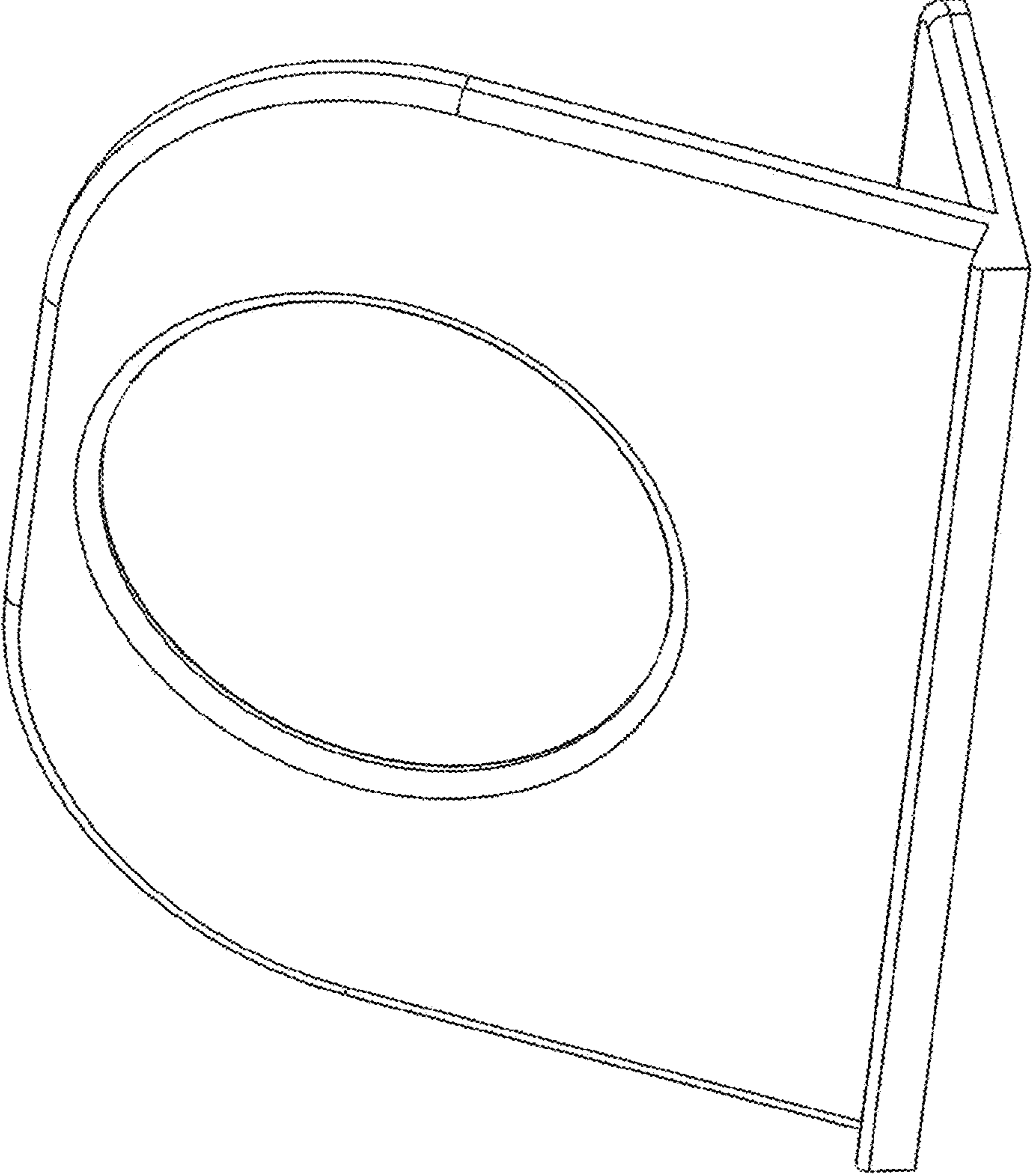


Fig. 2

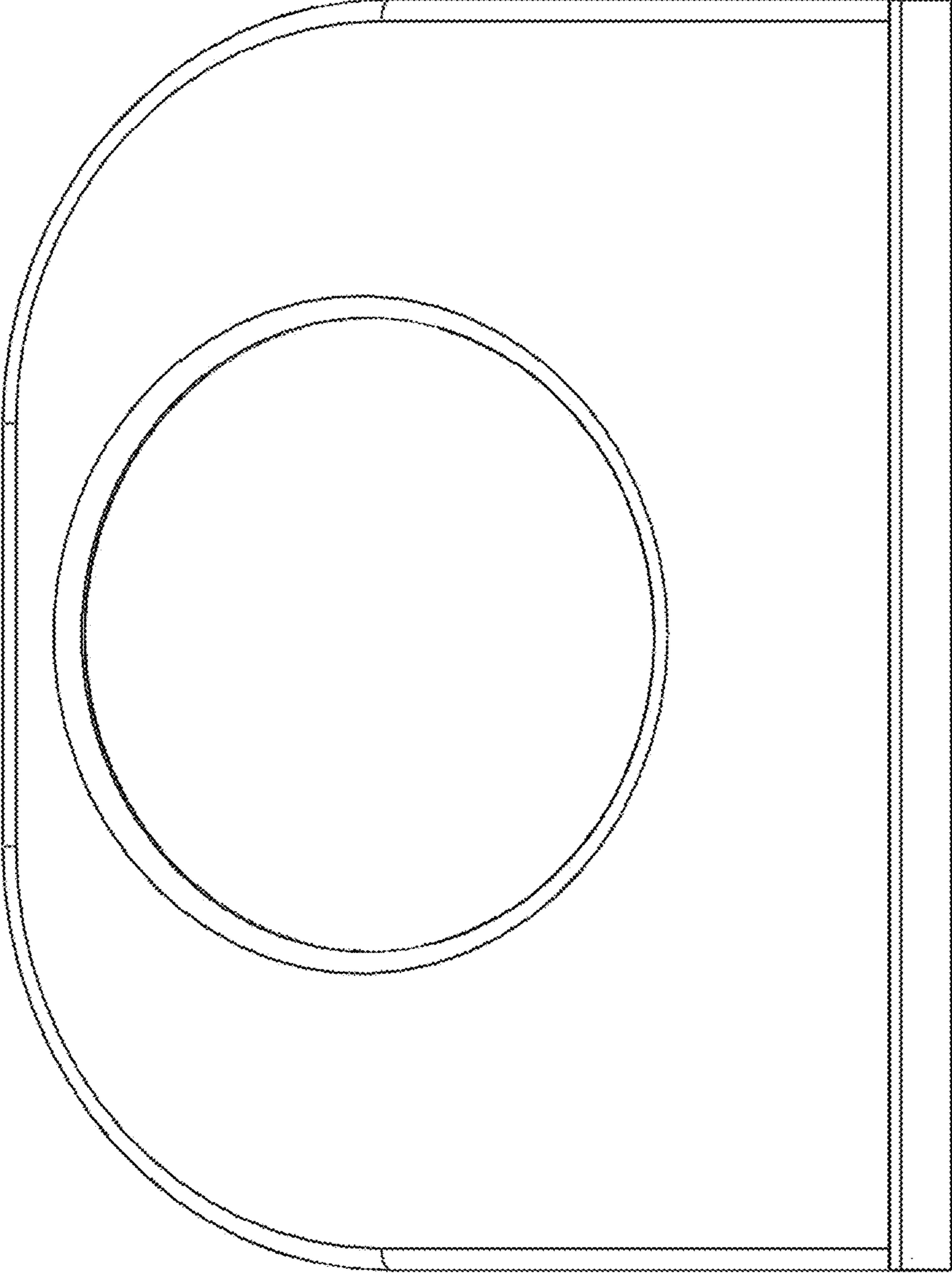


Fig. 3

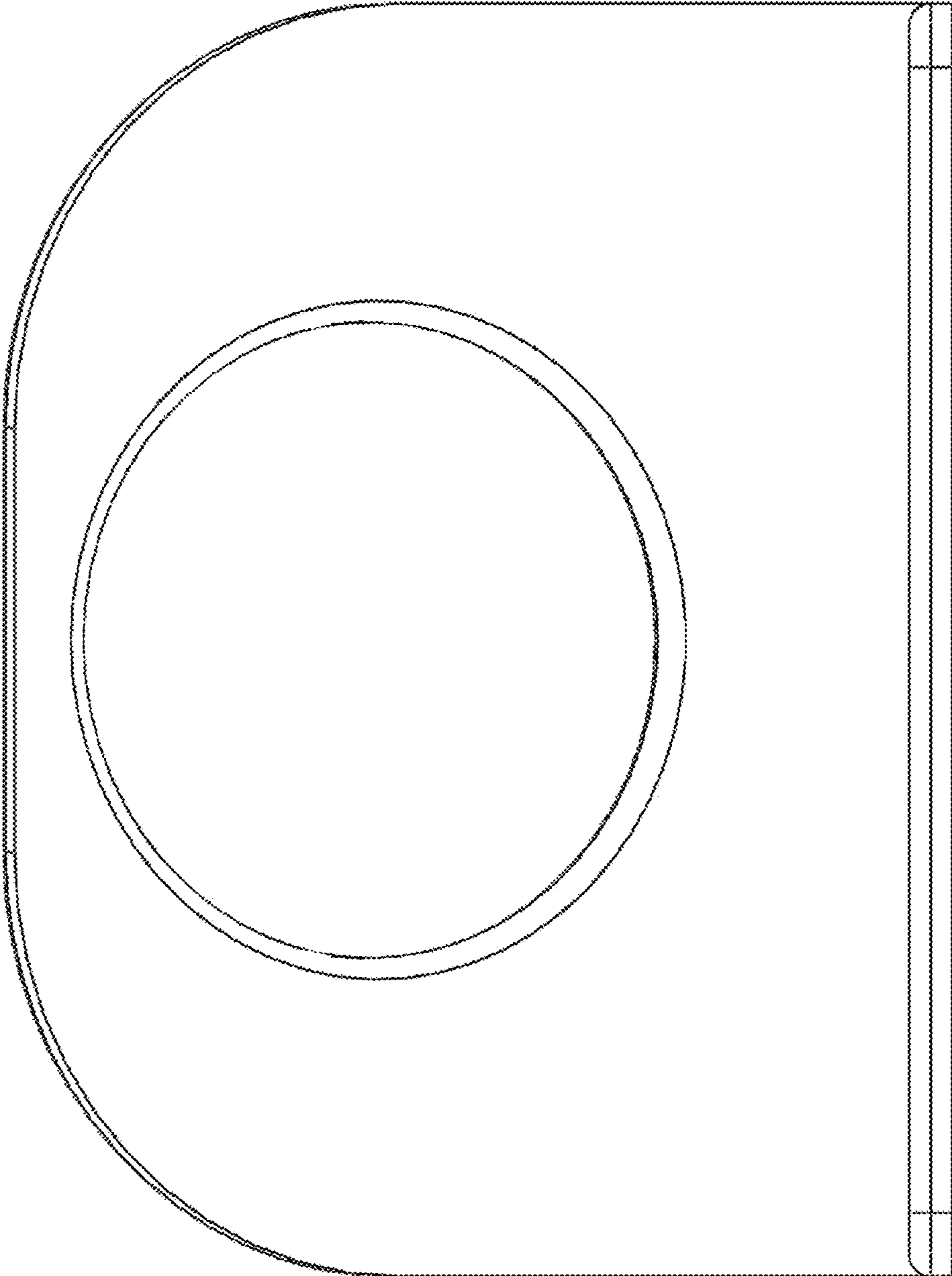


Fig. 4

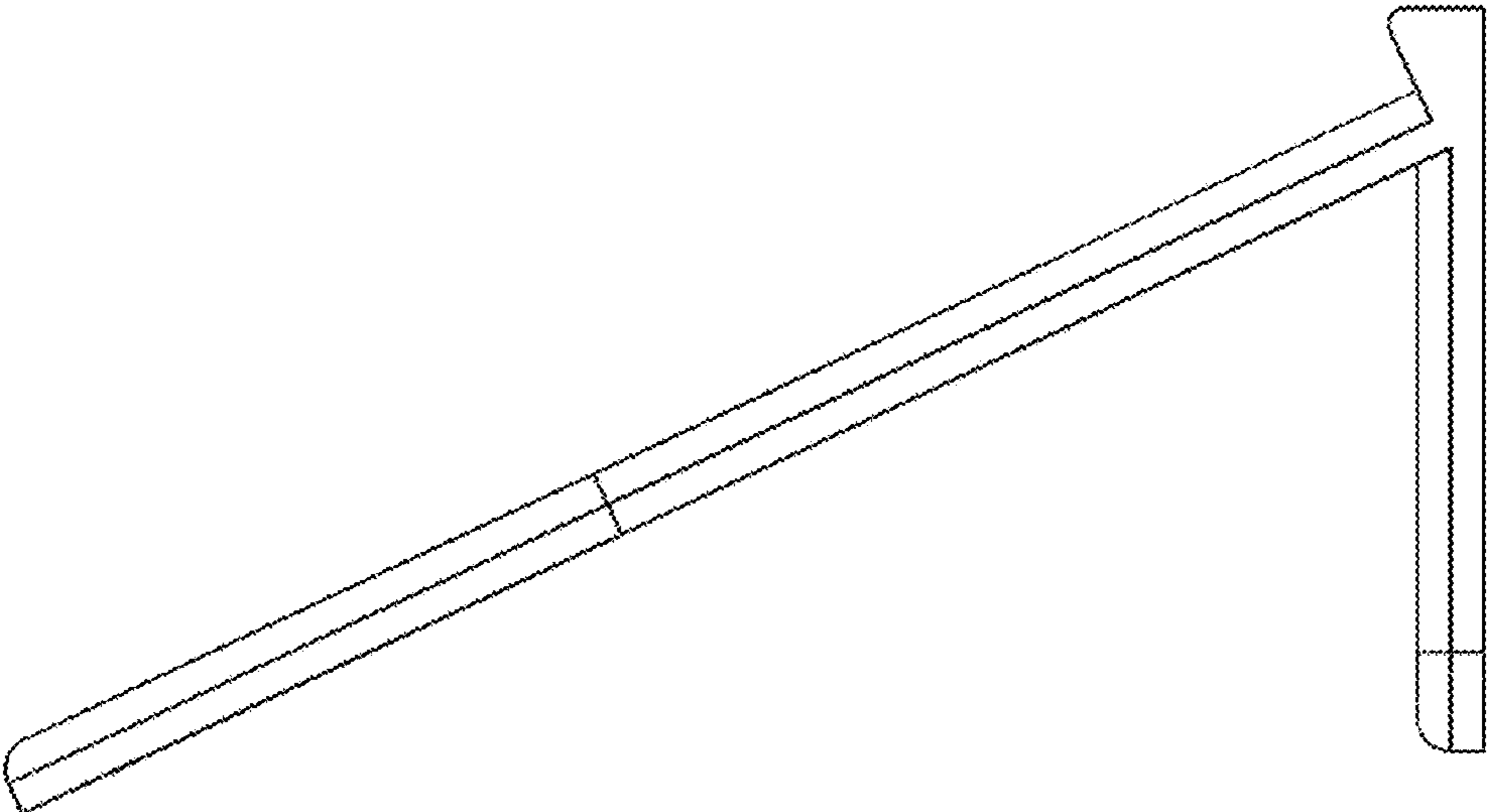


Fig. 5

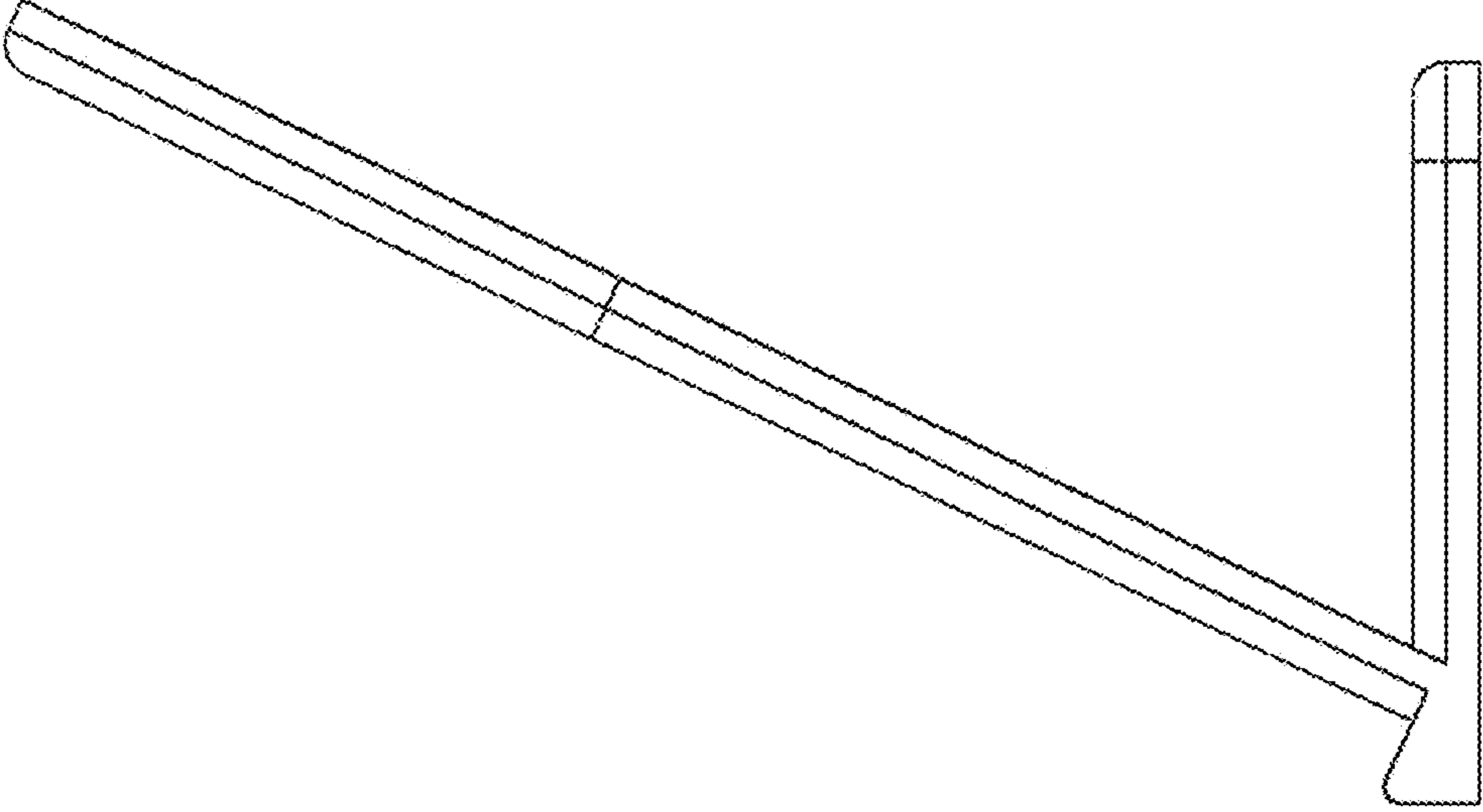


Fig. 6

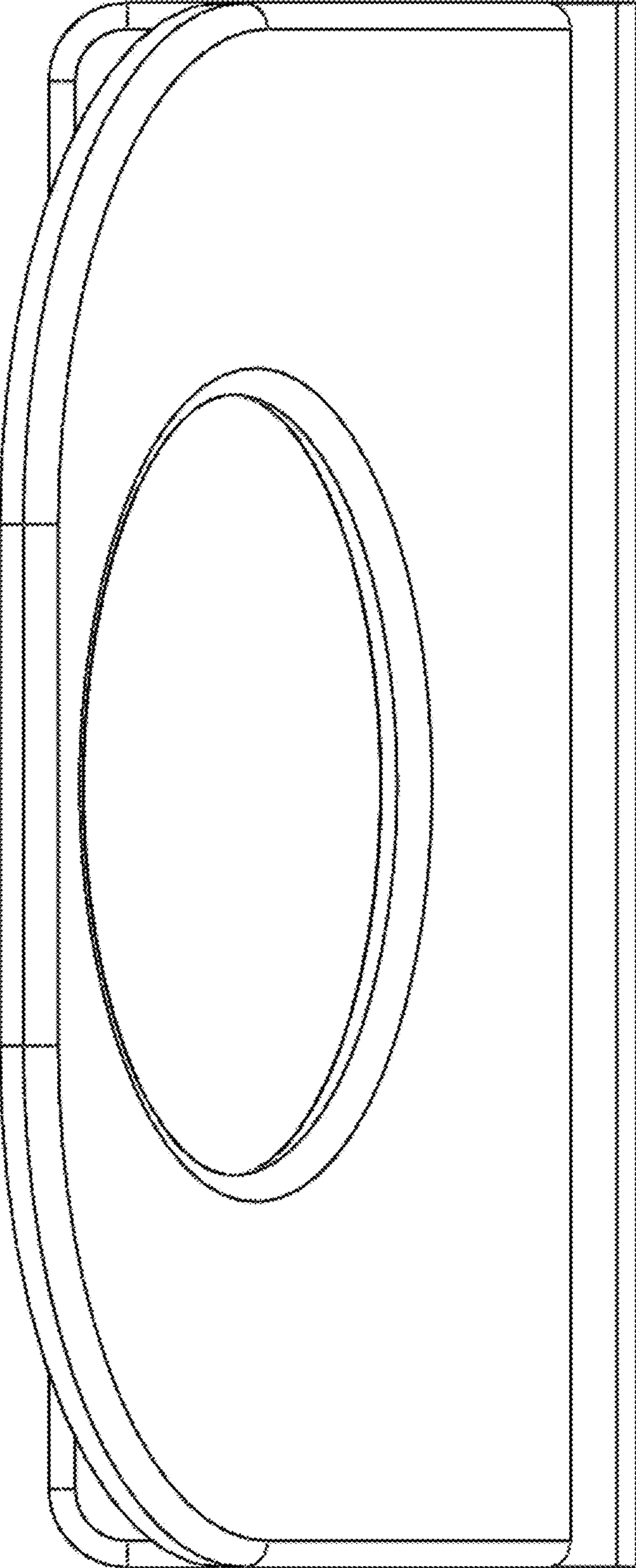


Fig. 7

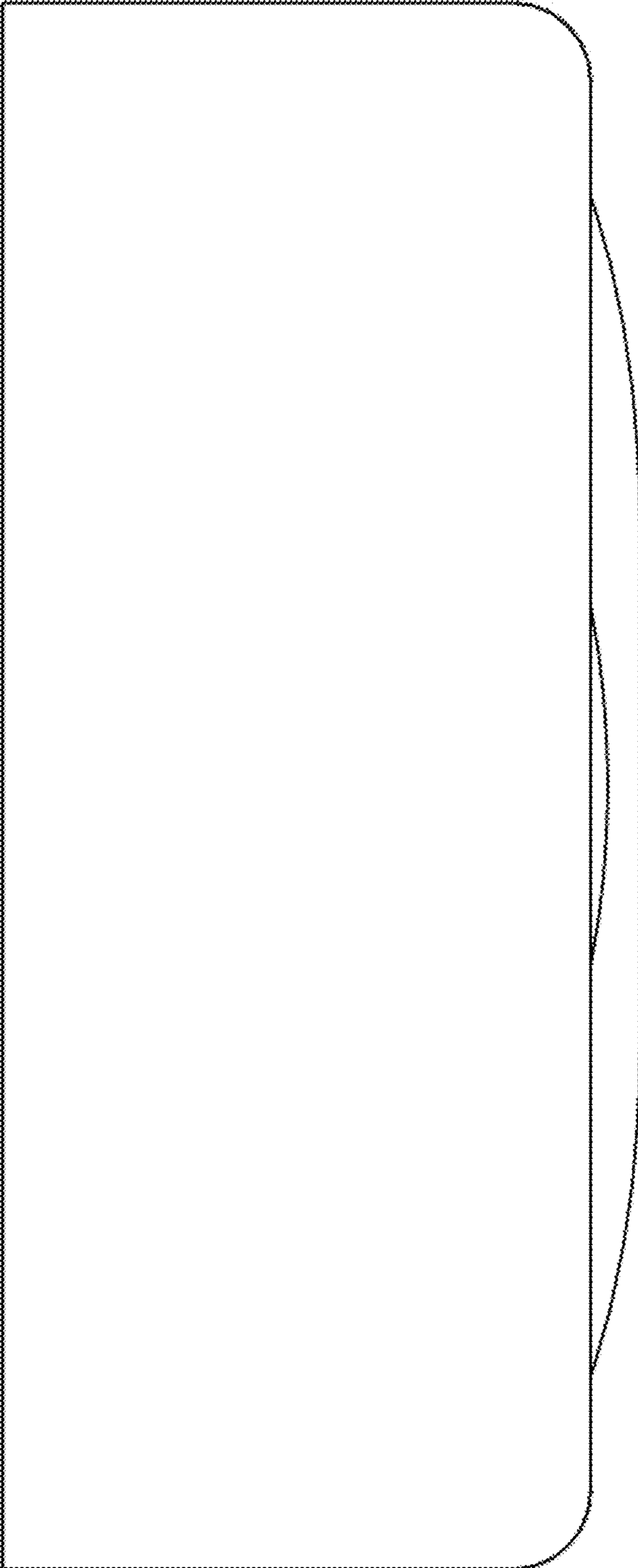


Fig. 8

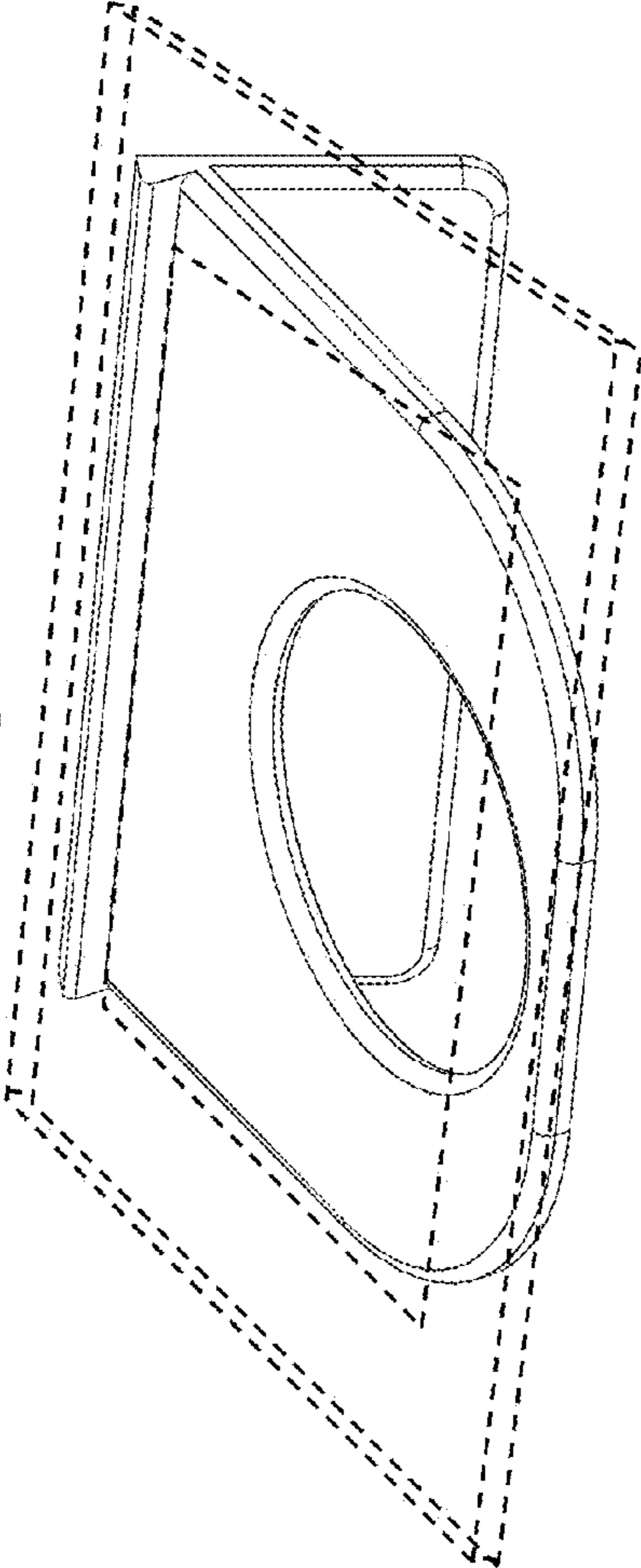


Fig. 9

