



US00D692009S

(12) **United States Design Patent**
Ashida et al.

(10) **Patent No.:** **US D692,009 S**
(45) **Date of Patent:** **** Oct. 22, 2013**

(54) **INFORMATION TERMINAL STAND**

(71) Applicant: **Nintendo Co., Ltd.**, Kyoto (JP)

(72) Inventors: **Kenichiro Ashida**, Kyoto (JP); **Masato Ibuki**, Kyoto (JP); **Fumiyoshi Suetake**, Kyoto (JP); **Naoya Yamamoto**, Kyoto (JP); **Junji Takamoto**, Kyoto (JP); **Yoshitomo Goto**, Kyoto (JP)

(73) Assignee: **Nintendo Co., Ltd.**, Kyoto (JP)

(**) Term: **14 Years**

(21) Appl. No.: **29/434,681**

(22) Filed: **Oct. 16, 2012**

(30) **Foreign Application Priority Data**

Apr. 16, 2012 (JP) 2012-008920

(51) **LOC (9) Cl.** **08-07**

(52) **U.S. Cl.**
USPC **D14/447**

(58) **Field of Classification Search**
USPC D14/447, 432, 433, 439, 440, 451, 452, D14/239, 217, 224.1, 251, 252, 253, 457, D14/458, 459, 460, 461, 434, 205, 209.1, D14/223; D6/406.1, 406.2, 406.3, 406.4, D6/406.5, 406.6; D12/415; 361/679.09, 361/679.21, 679.22, 679.24, 679.26, 361/679.27, 679.28, 679.3, 679.55, 679.56, 361/709; 248/917-924, 133, 136, 139, 150, 248/176.1, 188.6; D13/108, 110; D8/363; D21/333

See application file for complete search history.

(56) **References Cited**

U.S. PATENT DOCUMENTS

D543,246 S 5/2007 Ashida et al.
D553,106 S * 10/2007 Griffin D14/434

D556,836 S 12/2007 Ashida et al.
D574,383 S 8/2008 Maruyama et al.
D575,350 S 8/2008 Ashida et al.
D582,486 S 12/2008 Ashida et al.
D588,139 S 3/2009 Fujino et al.
D589,962 S 4/2009 Maruyama et al.
D590,404 S * 4/2009 Kim et al. D14/447
D598,453 S * 8/2009 Solomon et al. D14/434
D598,920 S 8/2009 Fujino et al.
D605,233 S 12/2009 Ashida et al.
D631,008 S * 1/2011 Kuroda et al. D13/108
D637,194 S * 5/2011 Kuroda et al. D14/447
D638,019 S * 5/2011 Weisshaupt D14/434
D641,024 S 7/2011 Zenri et al.
D648,325 S * 11/2011 Akana et al. D14/217
D648,339 S * 11/2011 O'Neil et al. D14/434

(Continued)

FOREIGN PATENT DOCUMENTS

JP 1466180 4/2013
TW 105898 8/2005

(Continued)

Primary Examiner — Angela J Lee

(74) *Attorney, Agent, or Firm* — Nixon & Vanderhye, P.C.

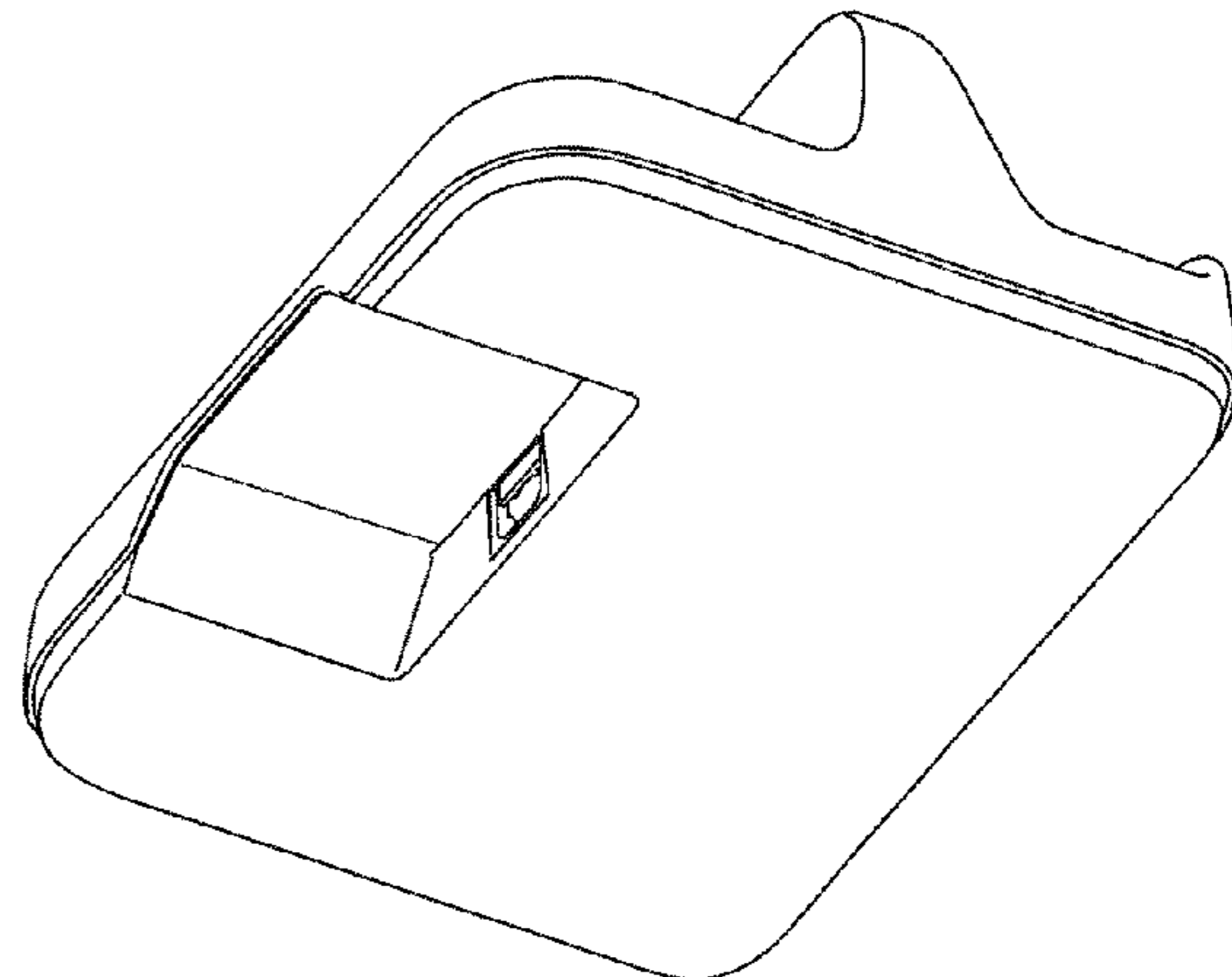
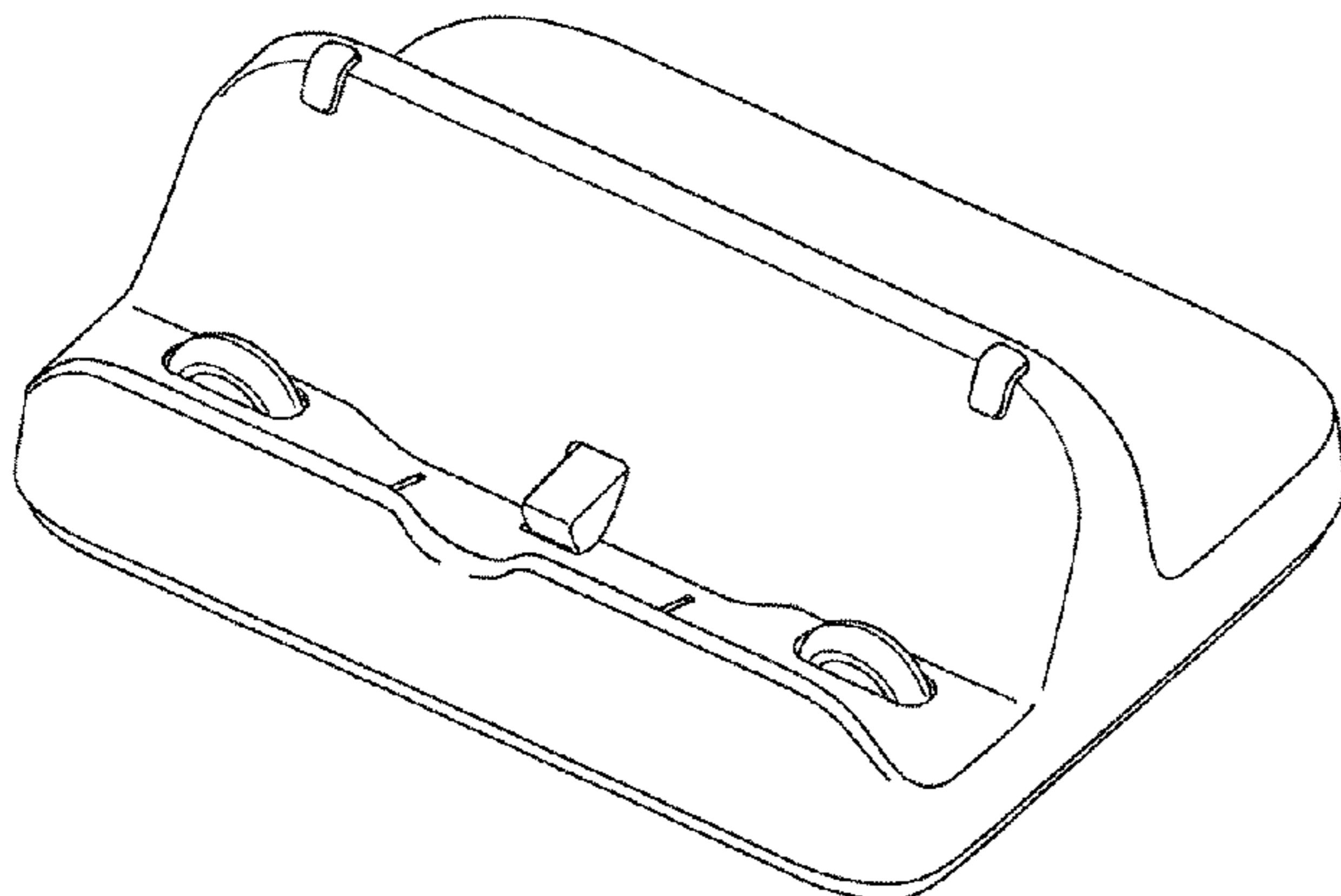
(57) **CLAIM**

The ornamental design for an information terminal stand, as shown and described.

DESCRIPTION

FIG. 1 is a front, right and top perspective view of an information terminal stand showing our new design;
FIG. 2 is a rear, left and bottom perspective view thereof;
FIG. 3 is a front view thereof;
FIG. 4 is a rear plan view thereof;
FIG. 5 is a top plan view thereof;
FIG. 6 is a bottom plan view thereof;
FIG. 7 is a left side view thereof; and,
FIG. 8 is a right side view thereof.

1 Claim, 2 Drawing Sheets



US D692,009 S

Page 2

(56)

References Cited

D676,037 S 2/2013 Schupsky
D685,322 S * 7/2013 Szymanski et al. D13/108

U.S. PATENT DOCUMENTS

D650,448 S 12/2011 Zenri et al.
D652,834 S * 1/2012 Jones et al. D14/434
D655,351 S 3/2012 Zenri et al.
D656,500 S 3/2012 Maruyama et al.
D656,555 S 3/2012 Zenri et al.
D657,741 S * 4/2012 Fahrendorff et al. D13/108
D659,092 S * 5/2012 Kawano et al. D13/108
D671,543 S * 11/2012 Sogabe D14/447

FOREIGN PATENT DOCUMENTS

TW 133586 3/2010
TW 135381 6/2010
TW 142468 9/2011
TW 145381 2/2012
TW 151327 1/2013

* cited by examiner

FIG. 1

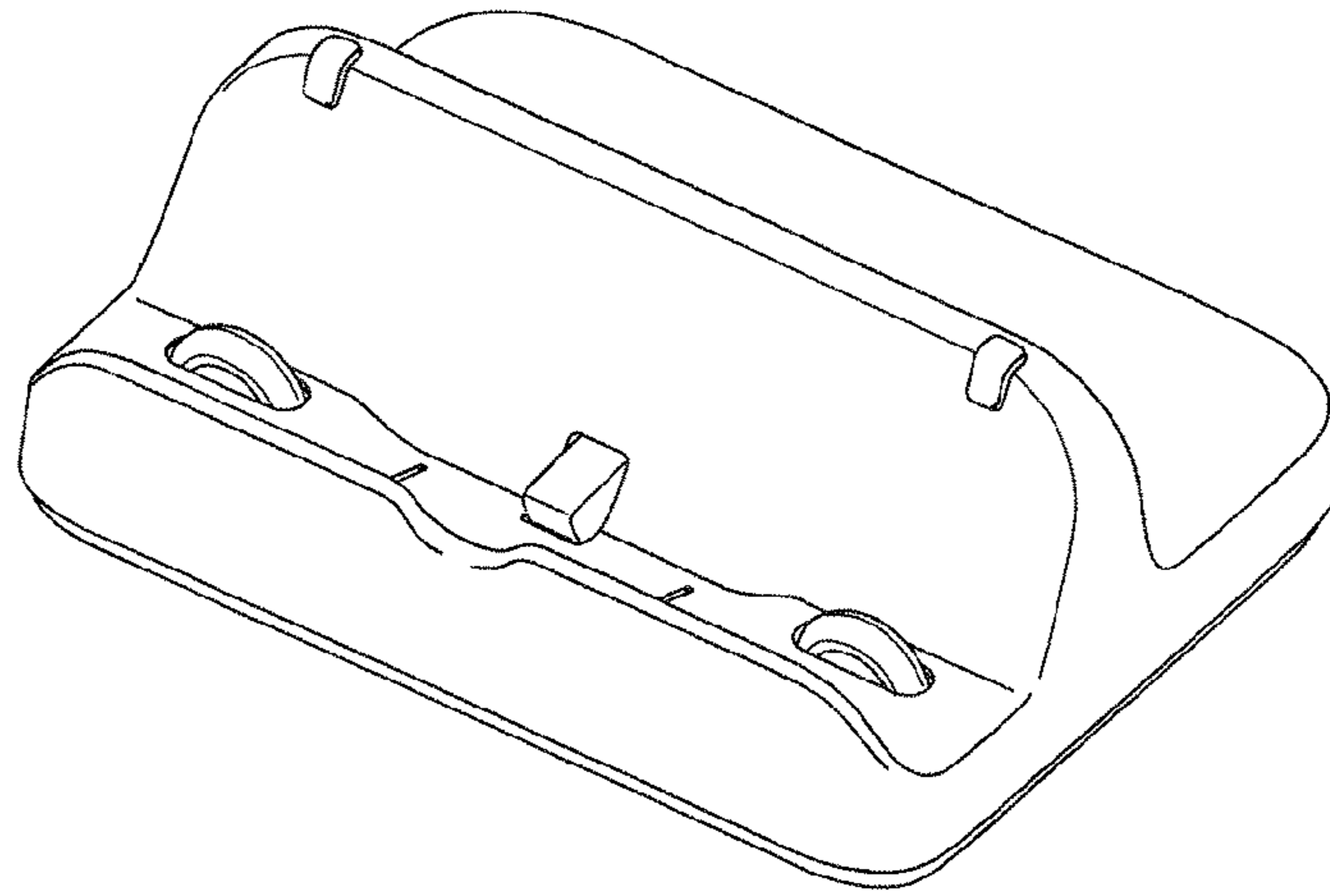


FIG. 2

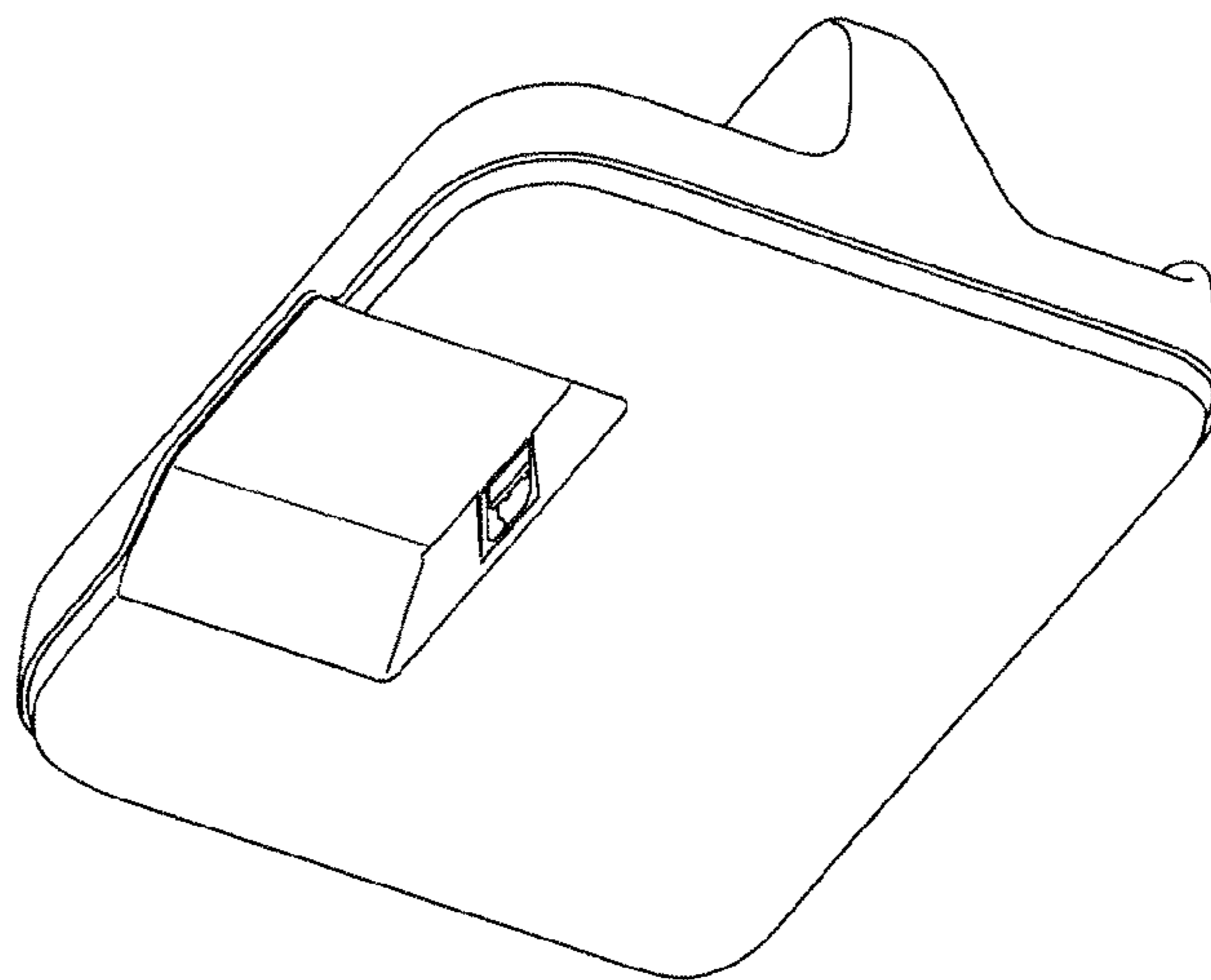


FIG. 3

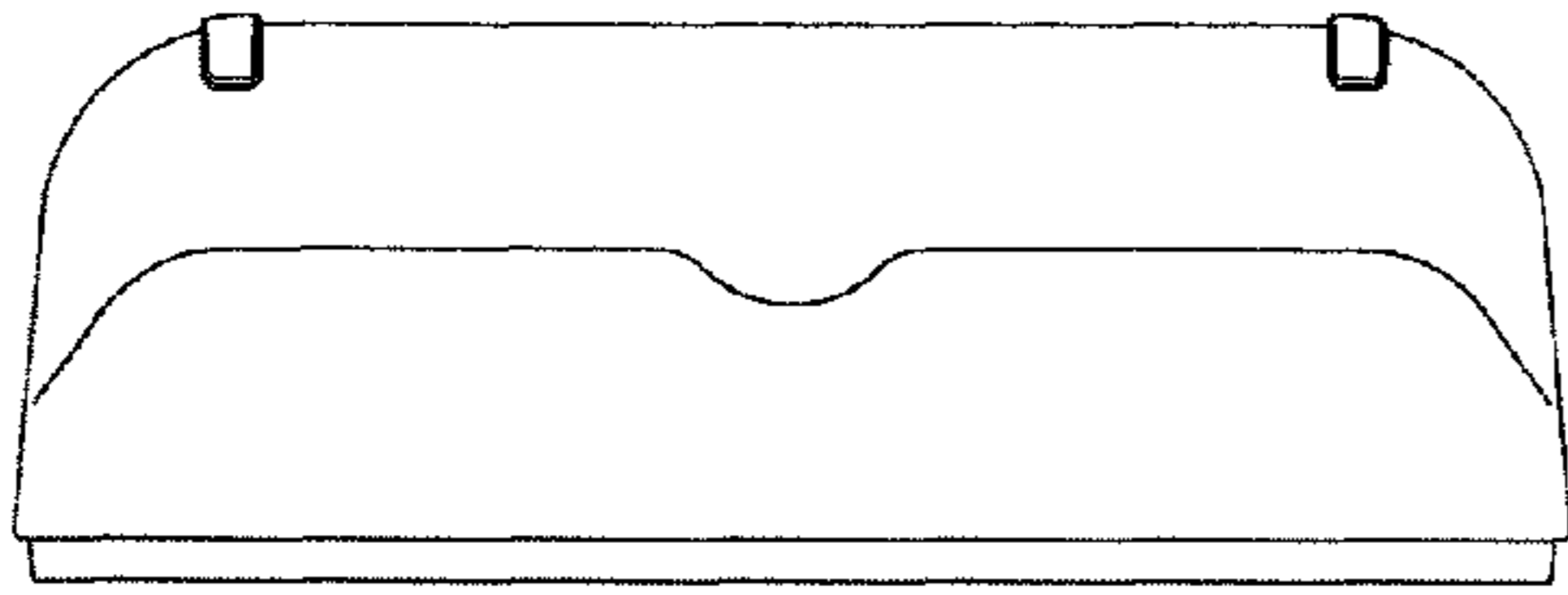


FIG. 4

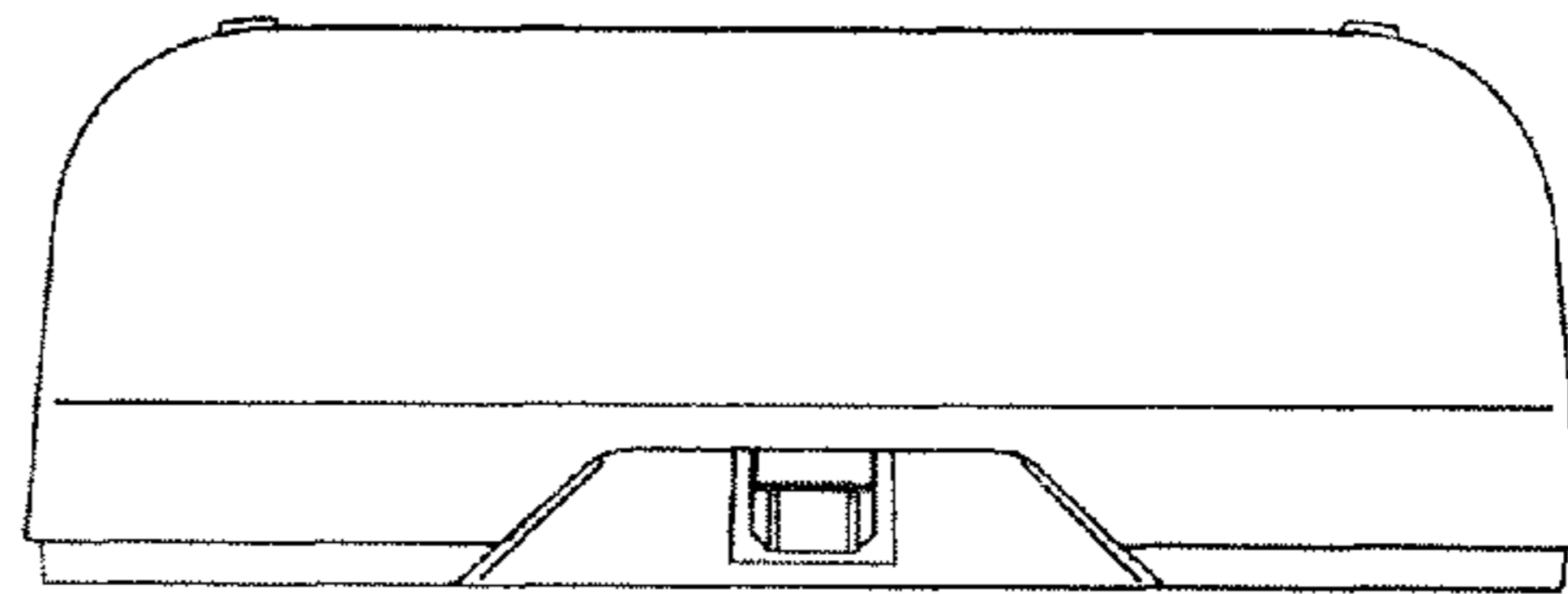


FIG. 5

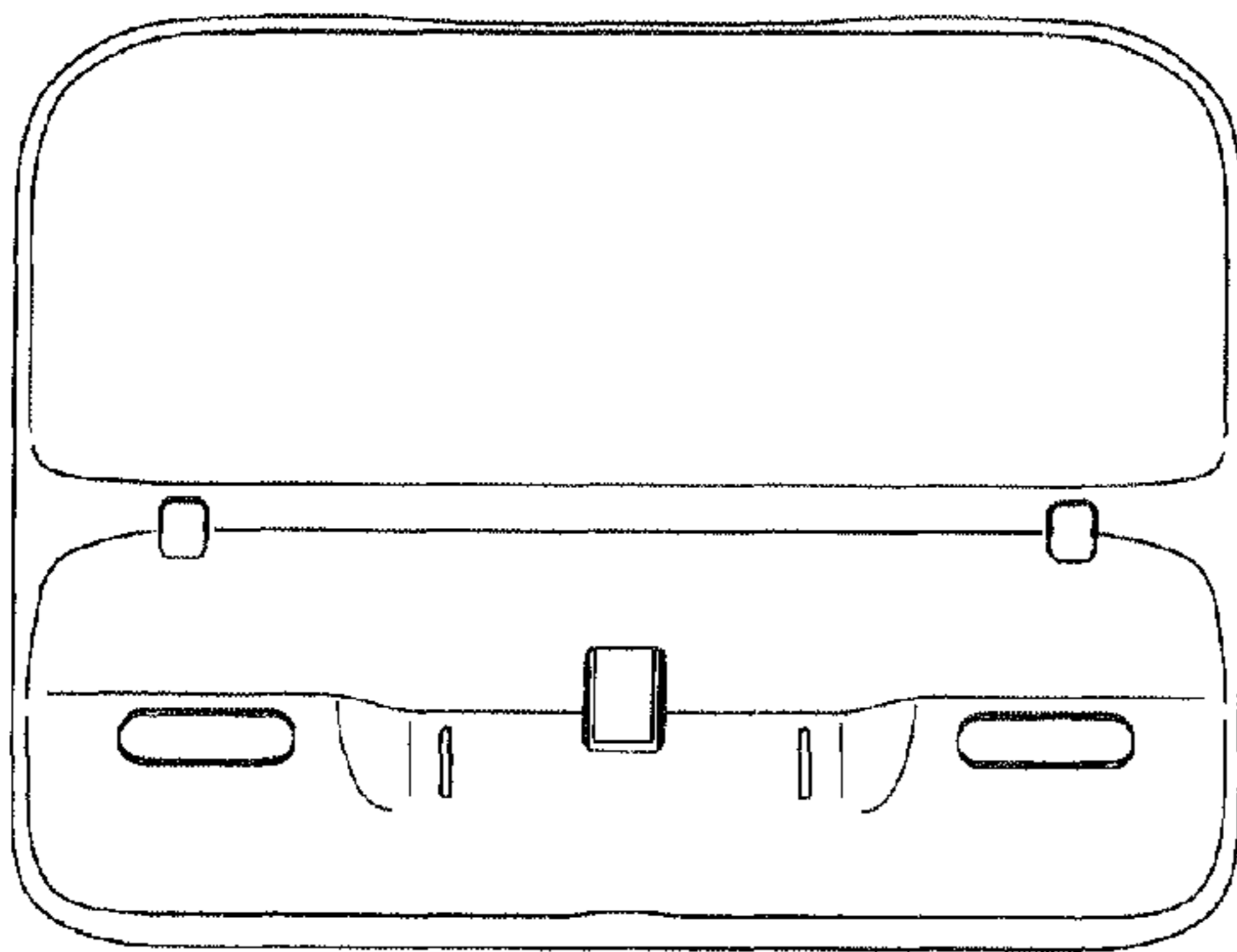


FIG. 6

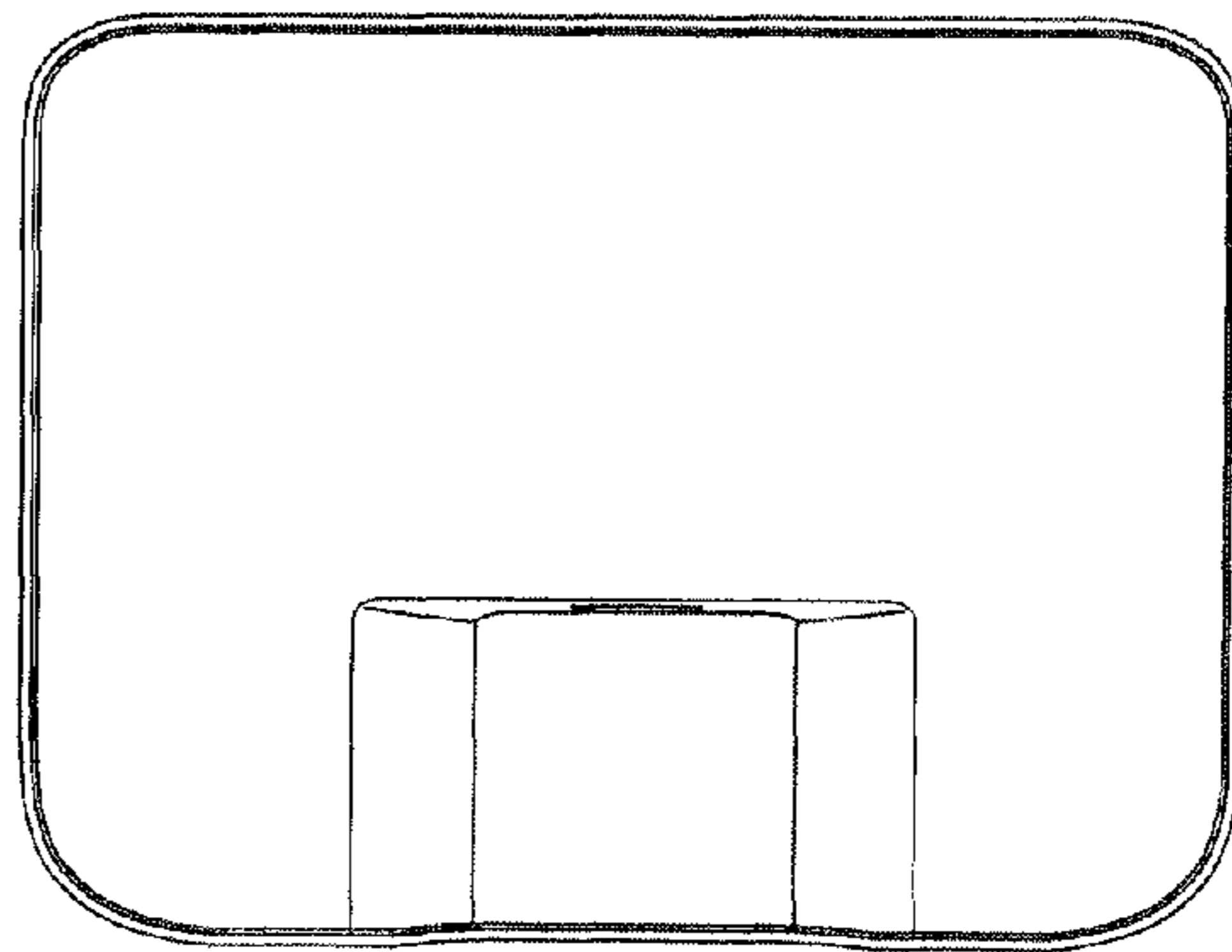


FIG. 7

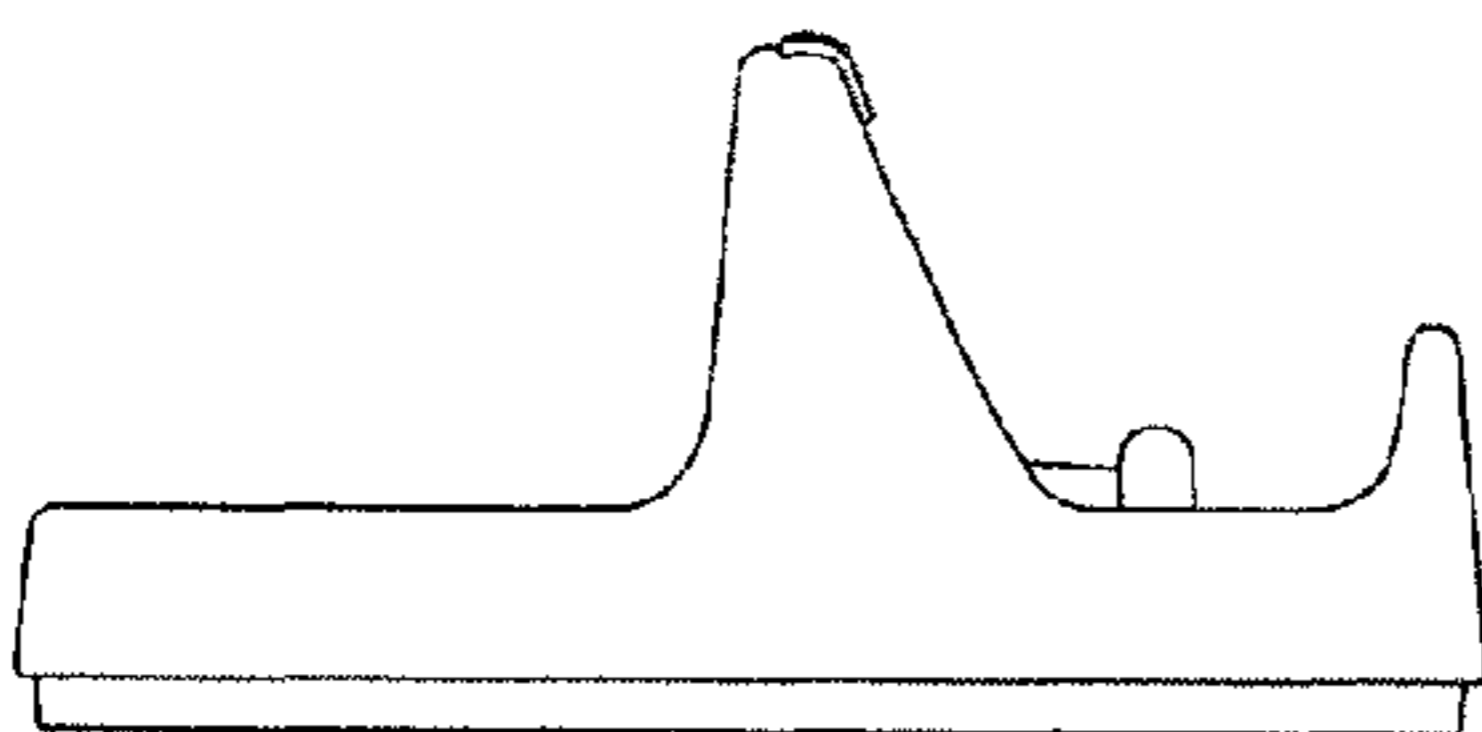


FIG. 8

