

US00D692008S

(12) **United States Design Patent**
Feldstein et al.

(10) **Patent No.:** **US D692,008 S**
(45) **Date of Patent:** **** Oct. 22, 2013**

(54) **TABLET WALL DOCK WITH LOCKING FEATURES**

(71) Applicant: **Crestron Electronics, Inc.**, Rockleigh, NJ (US)

(72) Inventors: **George Feldstein**, Cresskill, NJ (US);
Timothy Wickham, Tappan, NY (US)

(73) Assignee: **Crestron Electronics Inc.**, Rockleigh, NJ (US)

(**) Term: **14 Years**

(21) Appl. No.: **29/434,230**

(22) Filed: **Oct. 11, 2012**

(51) **LOC (9) Cl.** **08-07**

(52) **U.S. Cl.**
USPC **D14/447**

(58) **Field of Classification Search**
USPC D14/447, 432, 434, 439, 448, 451, 452, D14/457, 239, 250, 251, 253, 238.1, 440, D14/205, 223, 224, 224.1, 229; D13/108; D6/406.1, 406.2, 406.3, 406.4, 406.5, D6/406.6, 601; 248/917-924, 363, 445, 248/447, 451, 455, 456, 460, 371, 166, 434, 248/188.6; 361/726, 679.02, 679.09, 361/679.21, 679.22, 679.26, 679.27, 361/679.29, 679.3, 679.55, 679.56

See application file for complete search history.

(56) **References Cited**

U.S. PATENT DOCUMENTS

5,307,238	A *	4/1994	Marcus	348/837
5,633,782	A	5/1997	Goodman et al.		
5,751,548	A	5/1998	Hall et al.		
D445,087	S	7/2001	Skoger et al.		
6,643,127	B1	11/2003	Richardson		
D499,091	S *	11/2004	Taylor et al.	D14/252
7,068,496	B2	6/2006	Wong et al.		
7,503,538	B2	3/2009	Liou et al.		

7,515,408	B2	4/2009	Bakker et al.		
7,586,743	B2	9/2009	Lin		
7,684,185	B2	3/2010	Farrugia		
7,708,240	B2	5/2010	Homer et al.		
D641,756	S *	7/2011	Hsieh et al.	D14/440
D650,783	S *	12/2011	Ausfeld et al.	D14/434
D650,784	S	12/2011	Feldstein et al.		
D651,605	S *	1/2012	Bouaziz et al.	D14/434
D654,077	S *	2/2012	Radin et al.	D14/434
D660,840	S *	5/2012	Chen	D14/434

(Continued)

Primary Examiner — Angela J Lee

(74) *Attorney, Agent, or Firm* — Crestron Electronics Inc.

(57) **CLAIM**

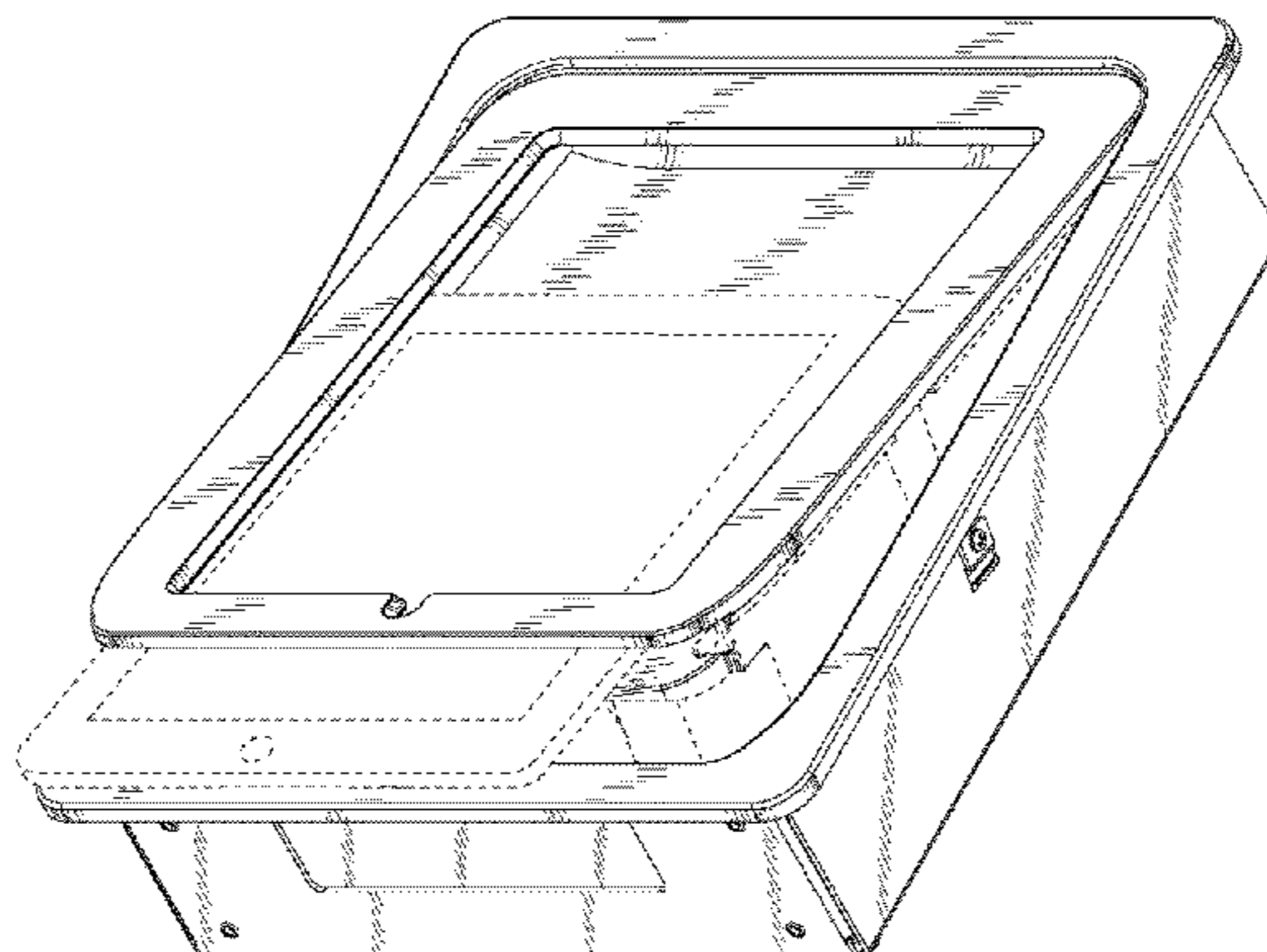
The ornamental design for a tablet wall dock with locking features, as shown and described.

DESCRIPTION

FIG. 1 shows a right isometric view of a tablet wall dock with locking features in a closed position; FIG. 2 shows a left isometric view thereof; FIG. 3 shows a front elevational view thereof; FIG. 4 shows a top plan view thereof; FIG. 5 shows a bottom plan view thereof; FIG. 6 shows a left elevational view thereof; FIG. 7 shows a right elevational view thereof; FIG. 8 shows a right isometric view thereof, but with the tablet wall dock with locking features in an opened position; FIG. 9 shows a left isometric view thereof; FIG. 10 shows a front elevational view thereof; FIG. 11 shows a top plan view thereof; FIG. 12 shows a bottom plan view thereof; FIG. 13 shows a left elevational view thereof; FIG. 14 shows a right elevational view thereof; and, FIG. 15 shows a left isometric view thereof, but with a tablet shown in broken lines.

The portions of a tablet wall dock with locking features and a tablet shown in broken lines form no part of the claimed design.

1 Claim, 9 Drawing Sheets



US D692,008 S

Page 2

(56)

References Cited

U.S. PATENT DOCUMENTS

D666,619 S *	9/2012	May	D14/447	D687,439 S *	8/2013	May et al.	D14/447
D676,448 S *	2/2013	Gorman et al.	D14/440	D687,441 S *	8/2013	Janzen	D14/447
D678,886 S *	3/2013	Heckler	D14/447	D687,832 S *	8/2013	Edwards et al.	D14/447
					2003/0235029 A1	12/2003	Doherty et al.		
					2006/0250767 A1	11/2006	Brophy et al.		

* cited by examiner

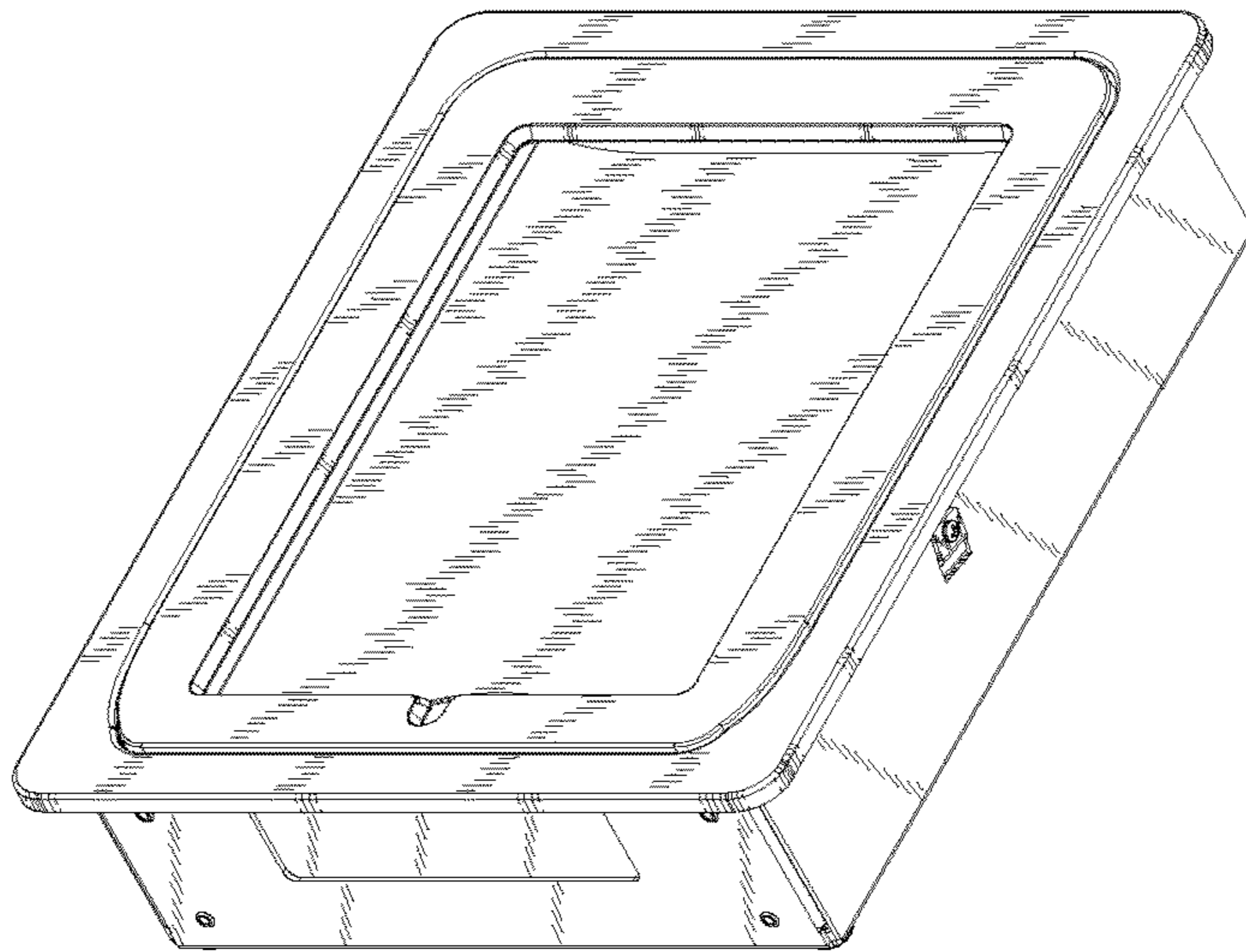


FIG. 1

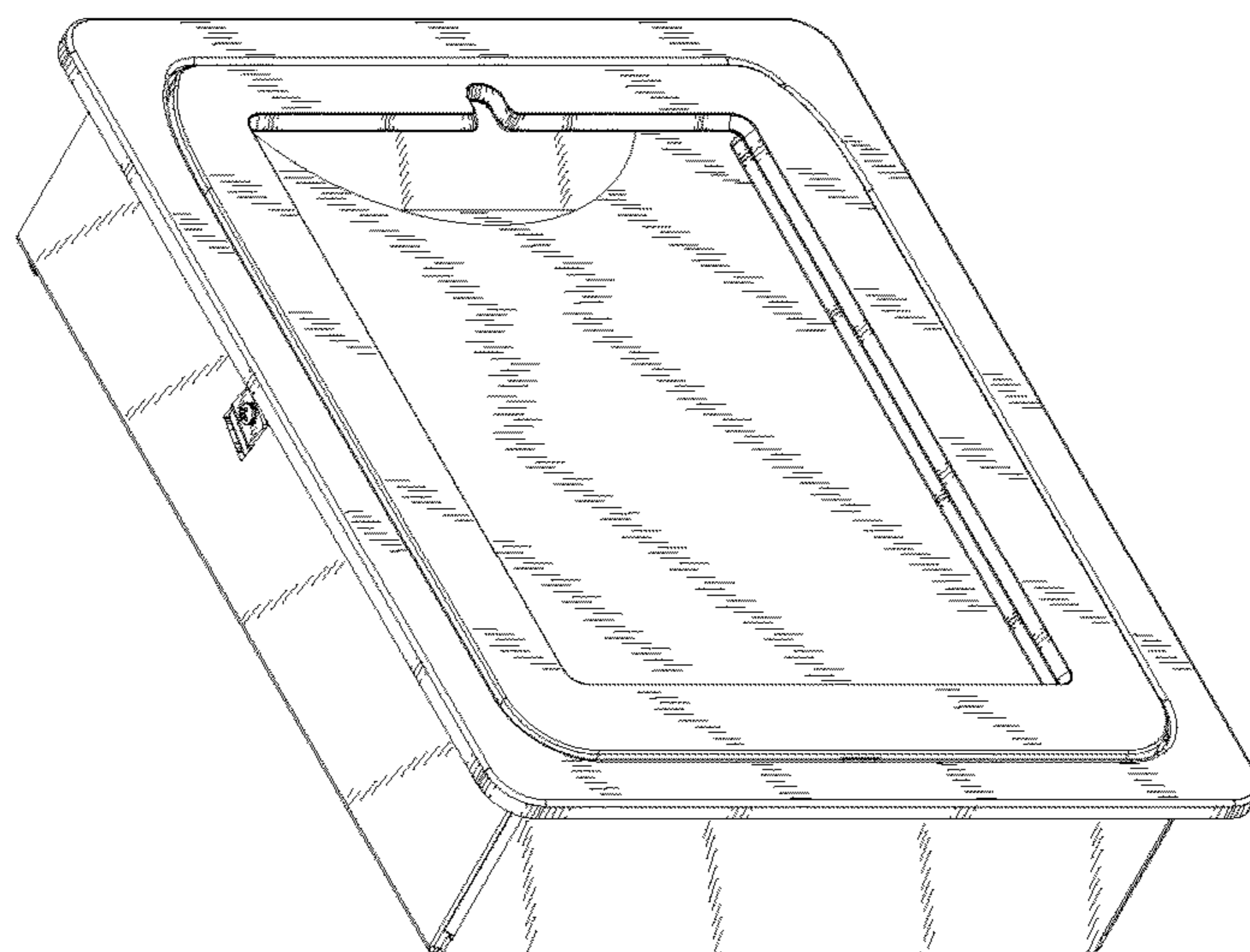


FIG. 2

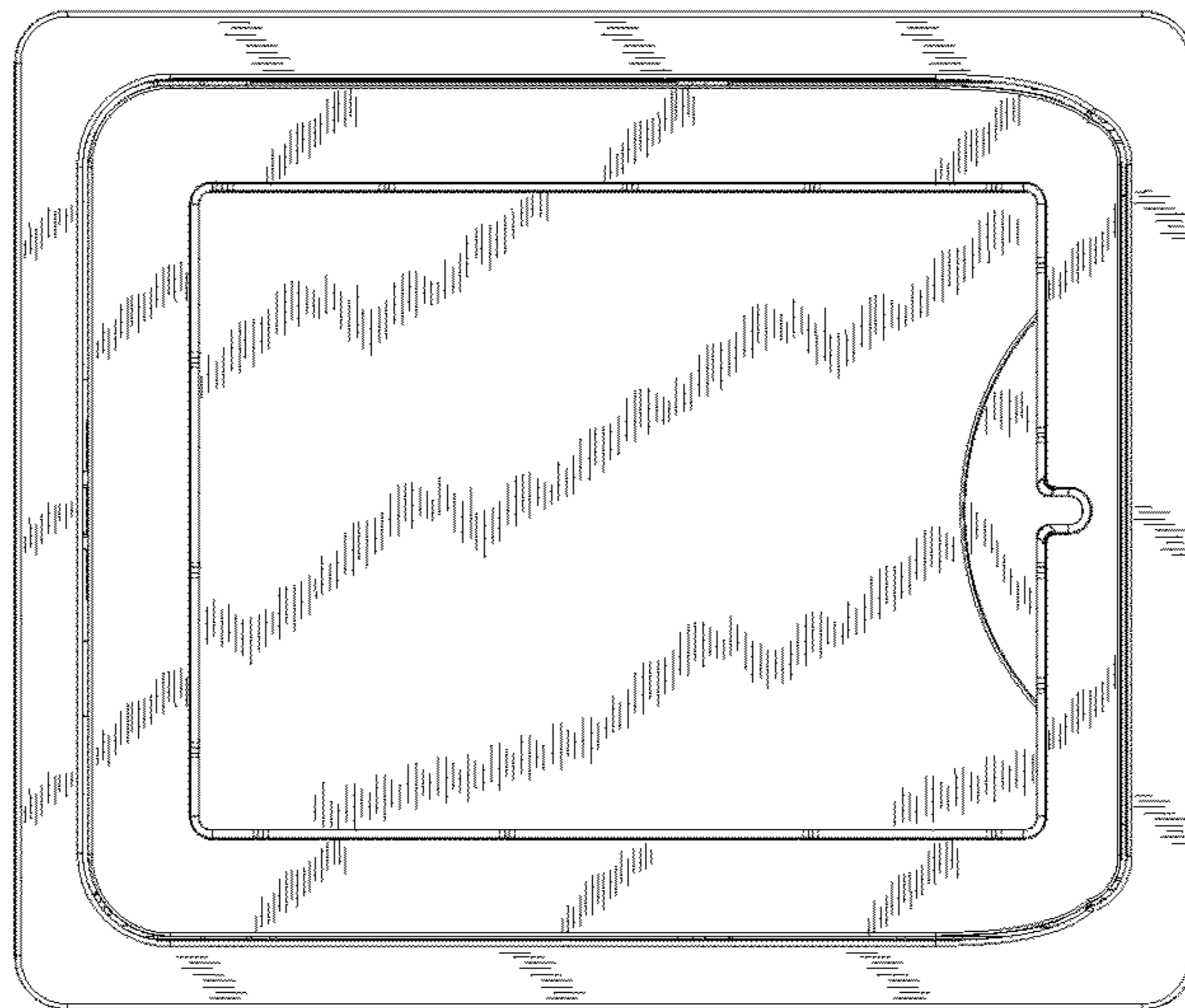


FIG. 3

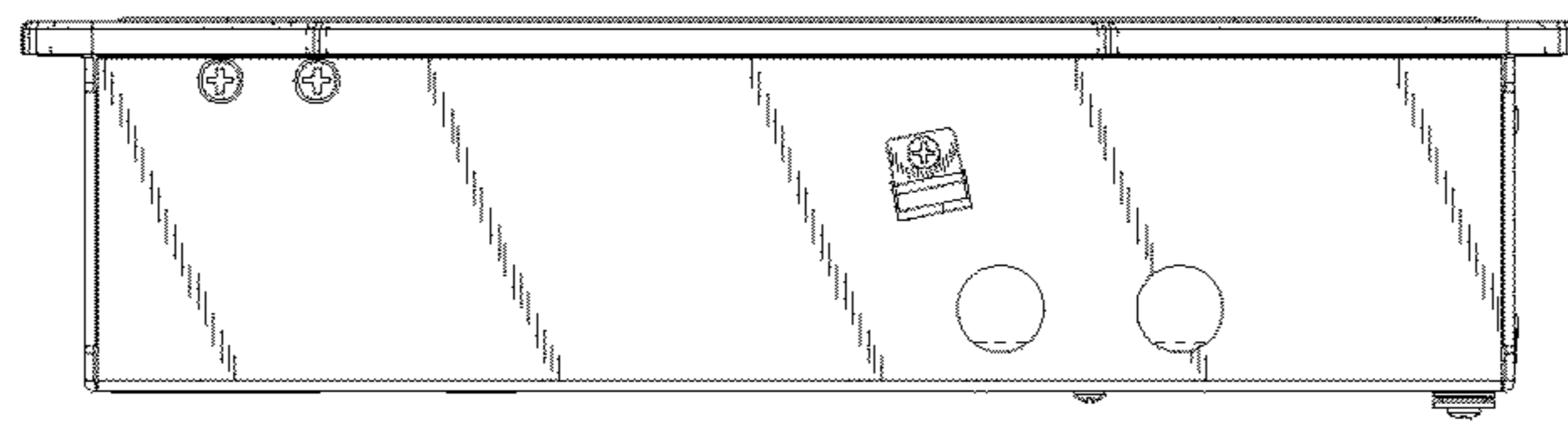


FIG. 4

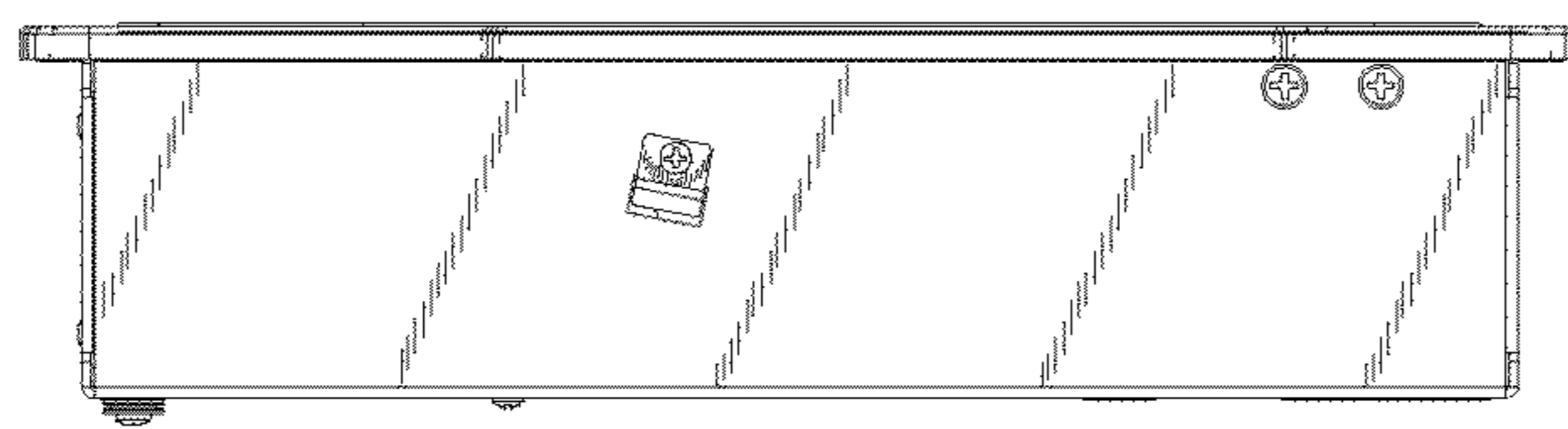


FIG. 5

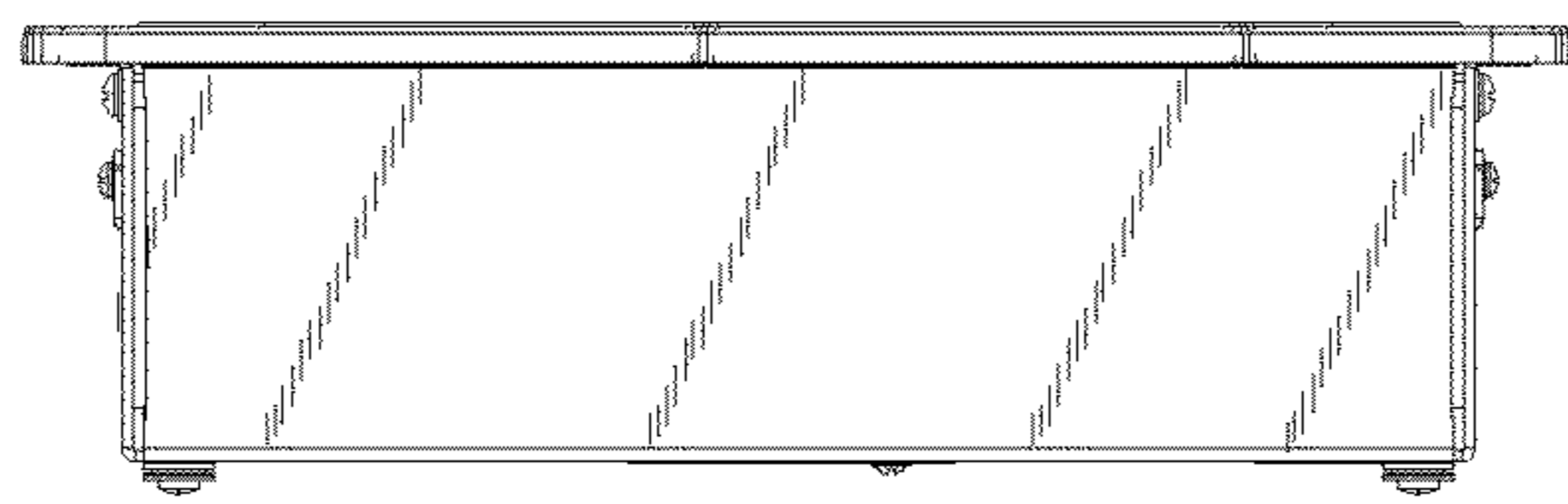


FIG. 6

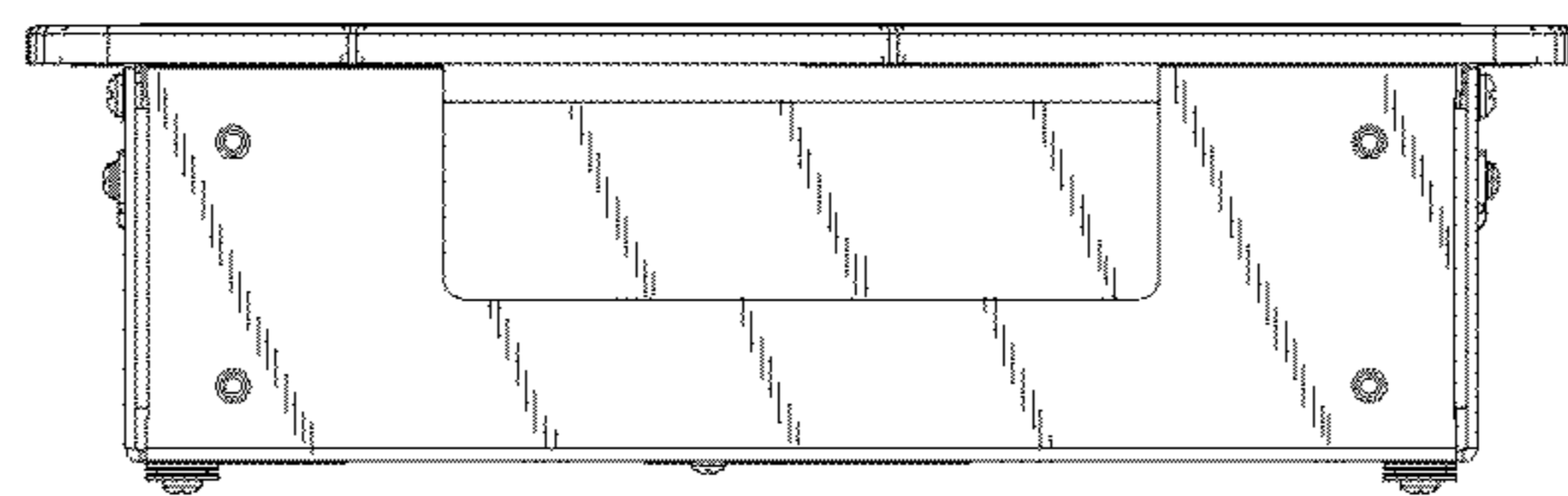


FIG. 7

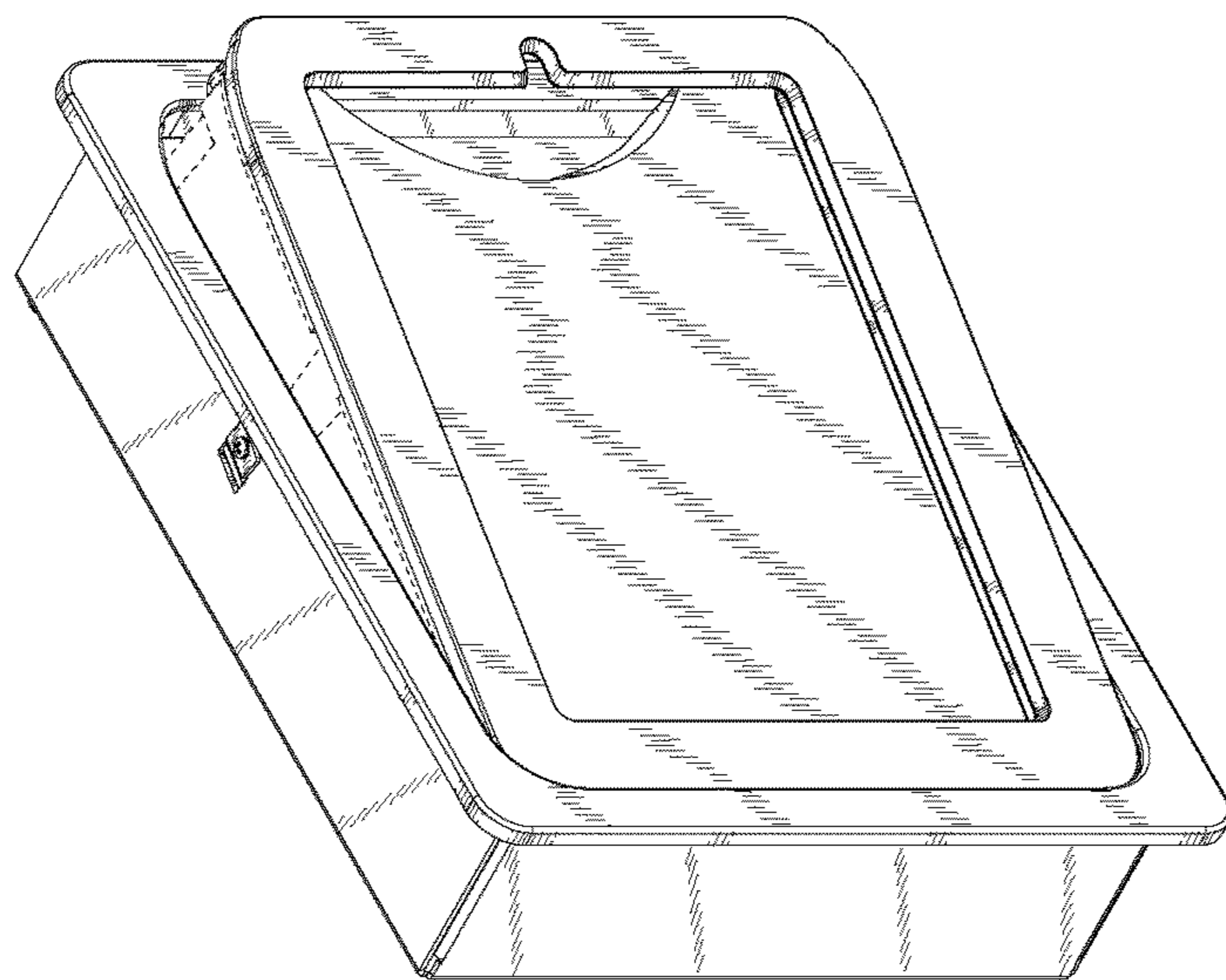


FIG. 8

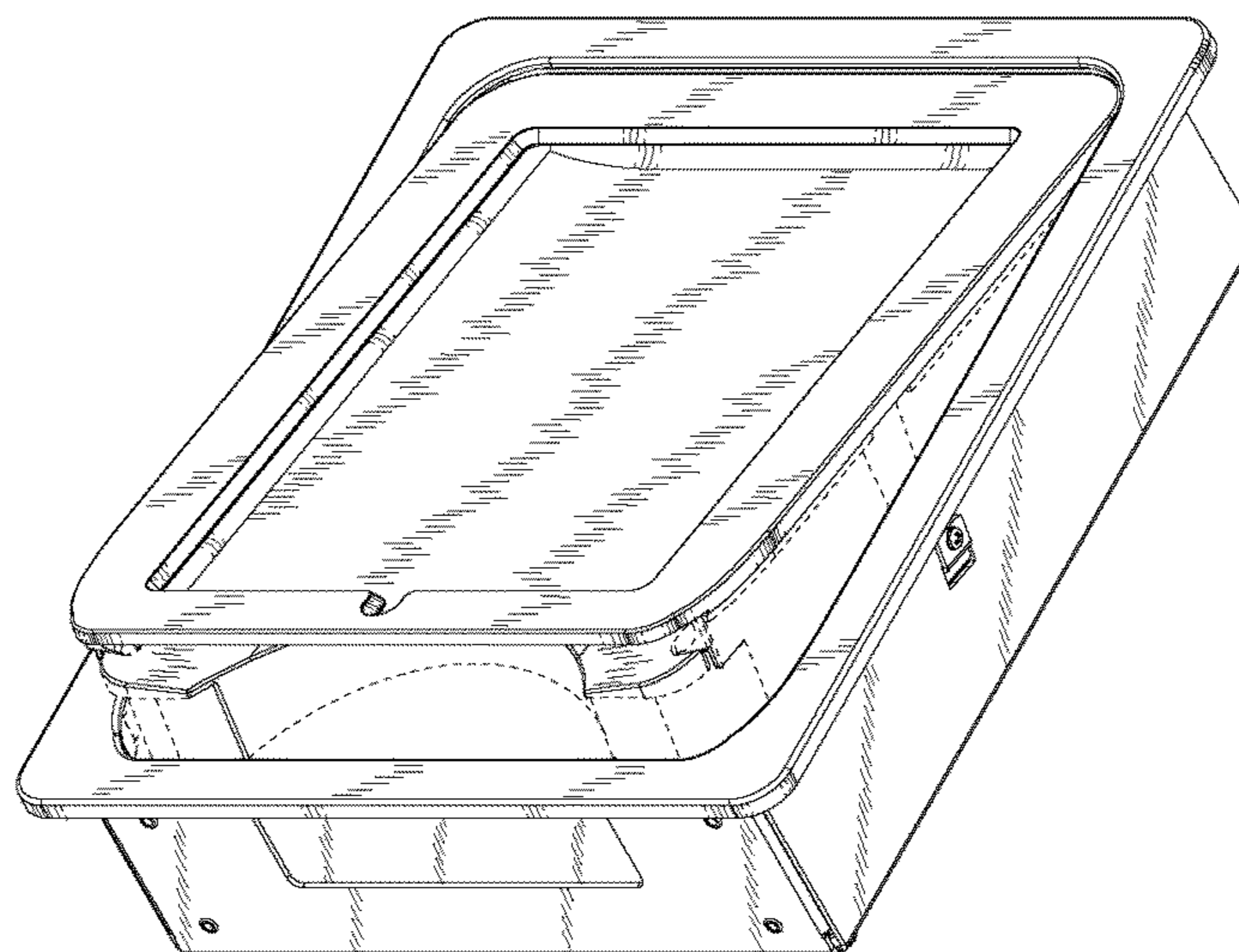


FIG. 9

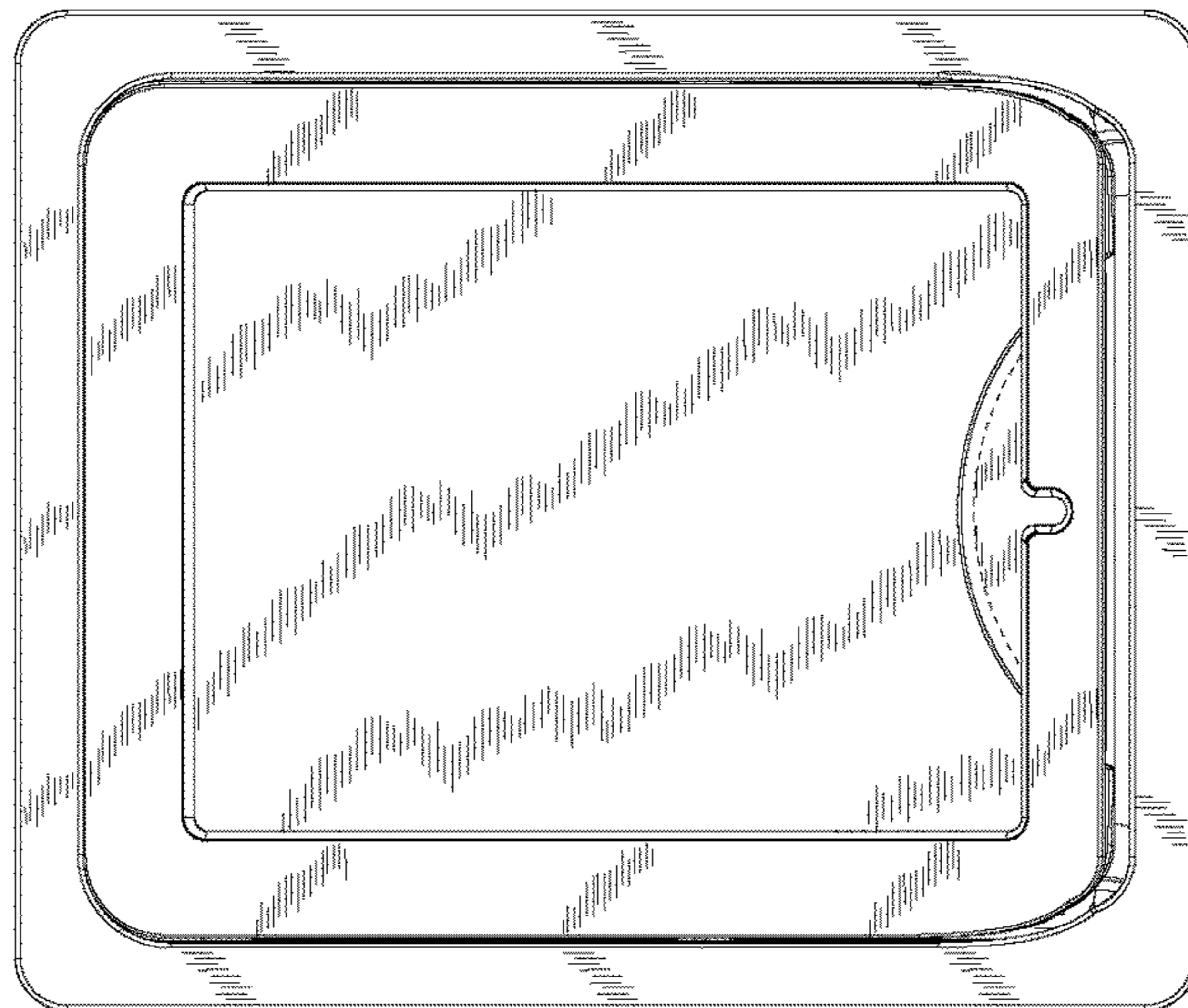


FIG. 10

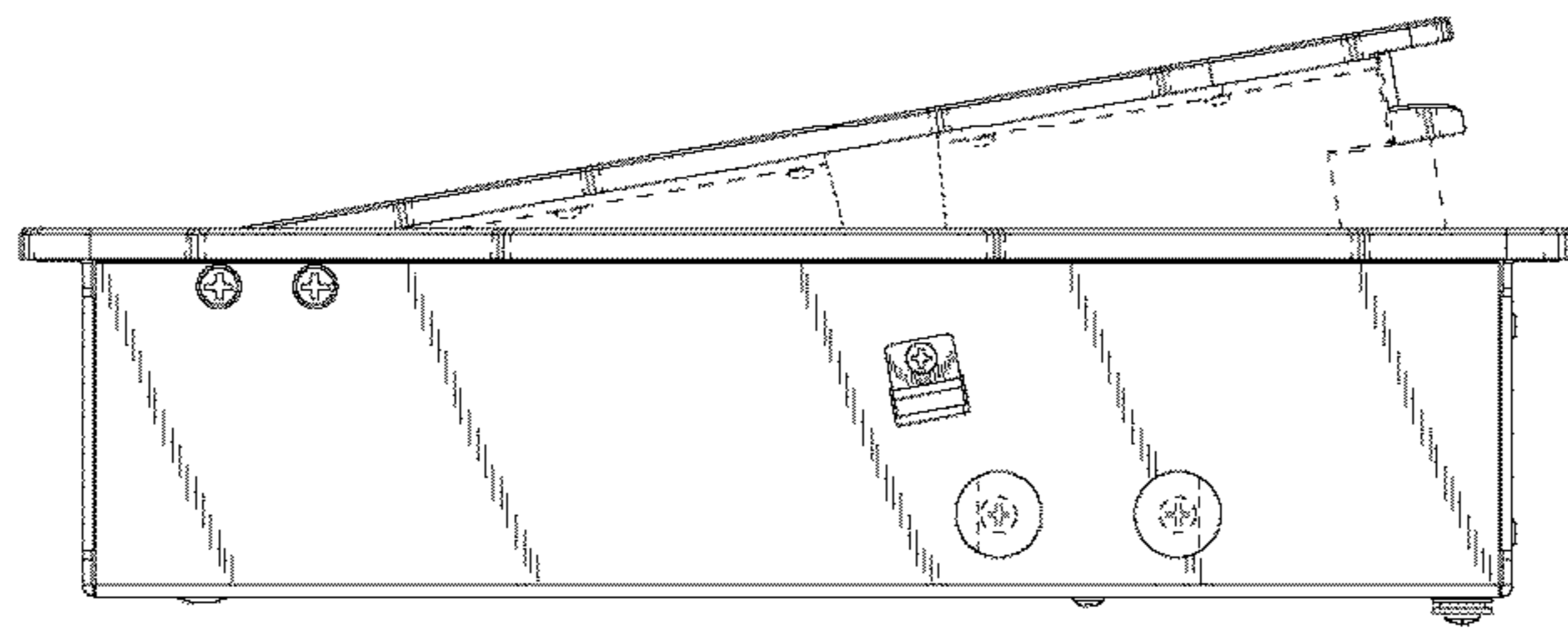


FIG. 11

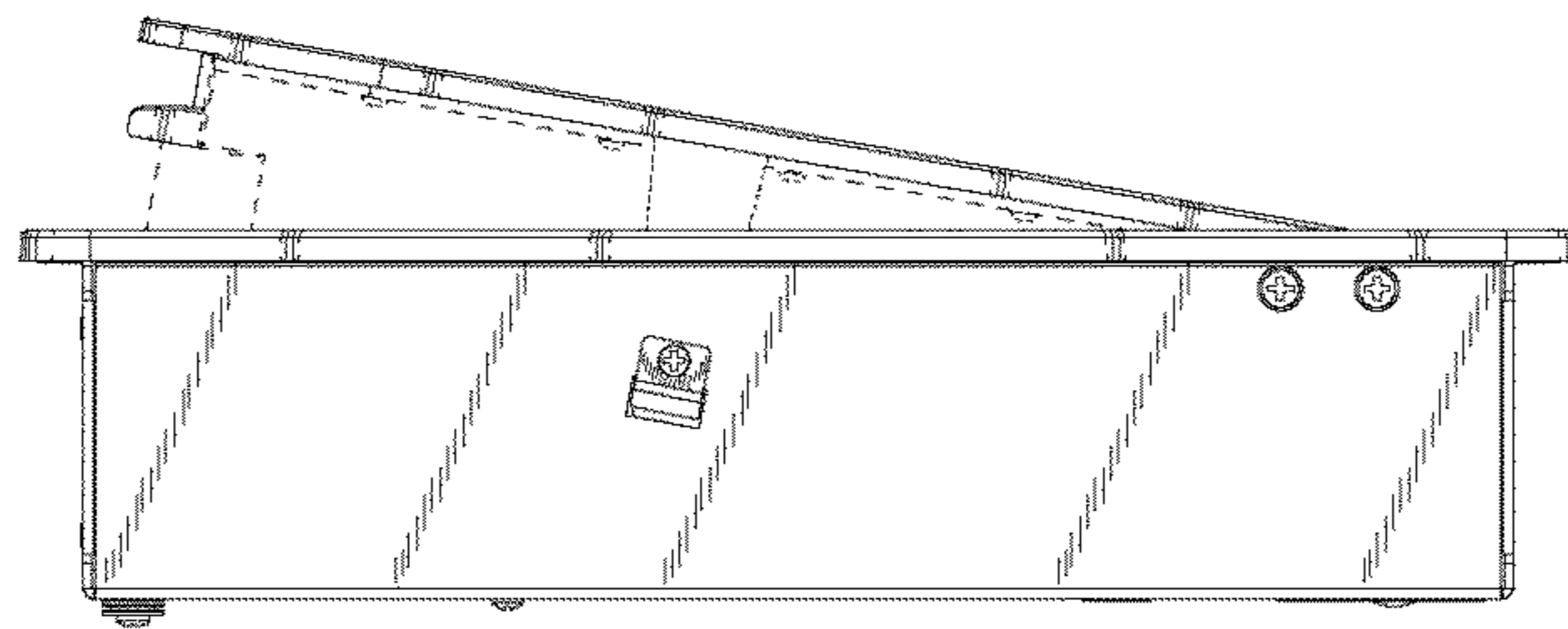


FIG. 12

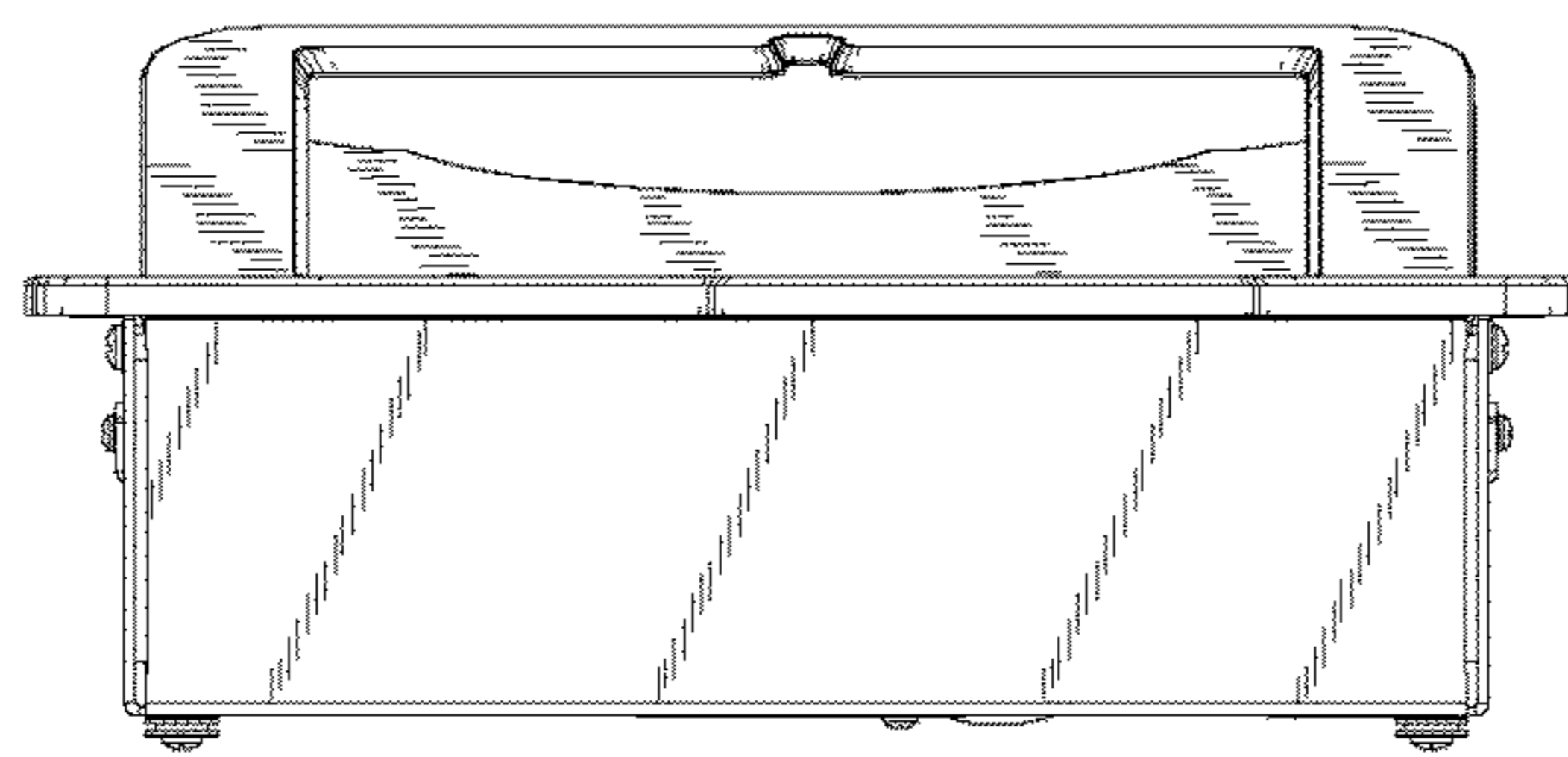


FIG. 13

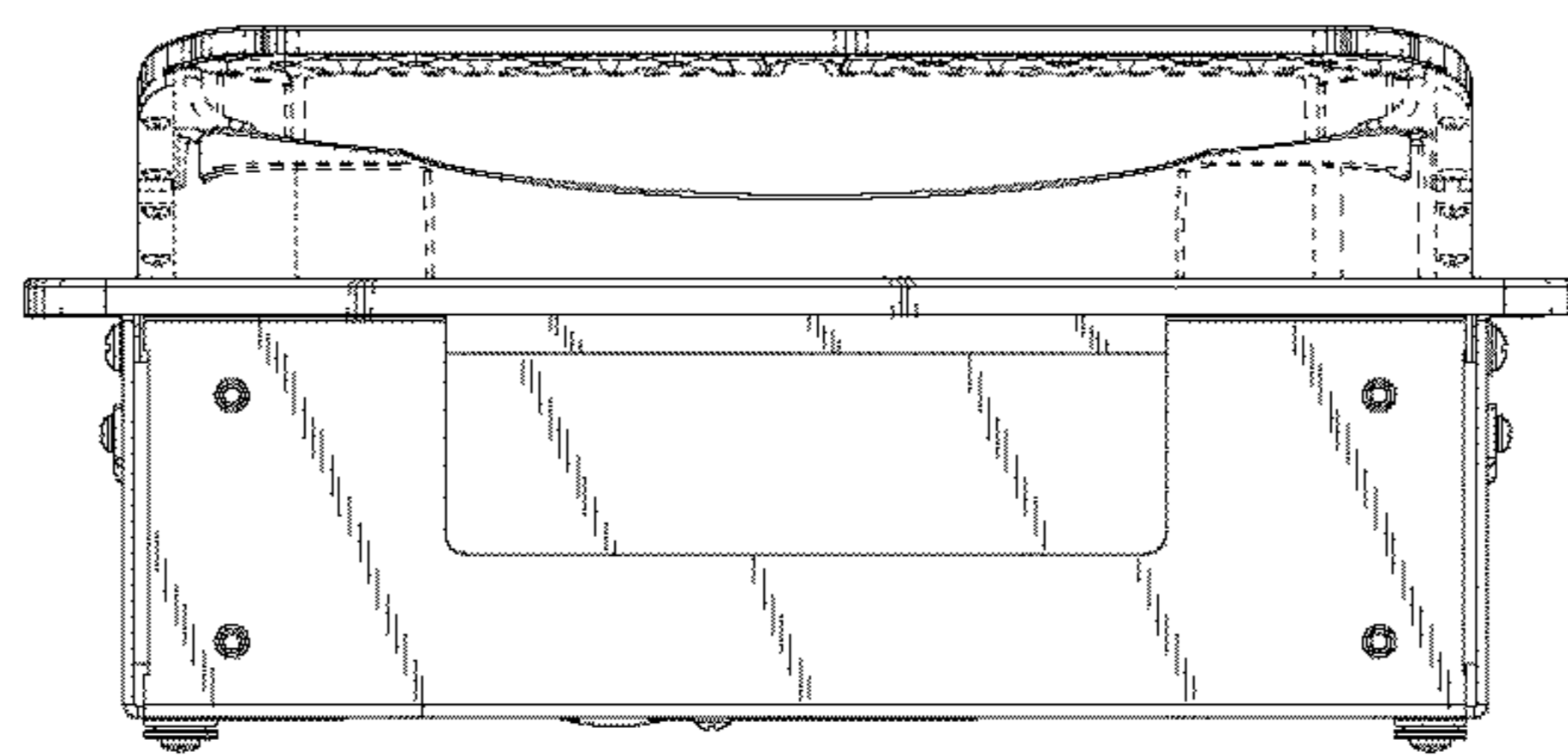


FIG. 14

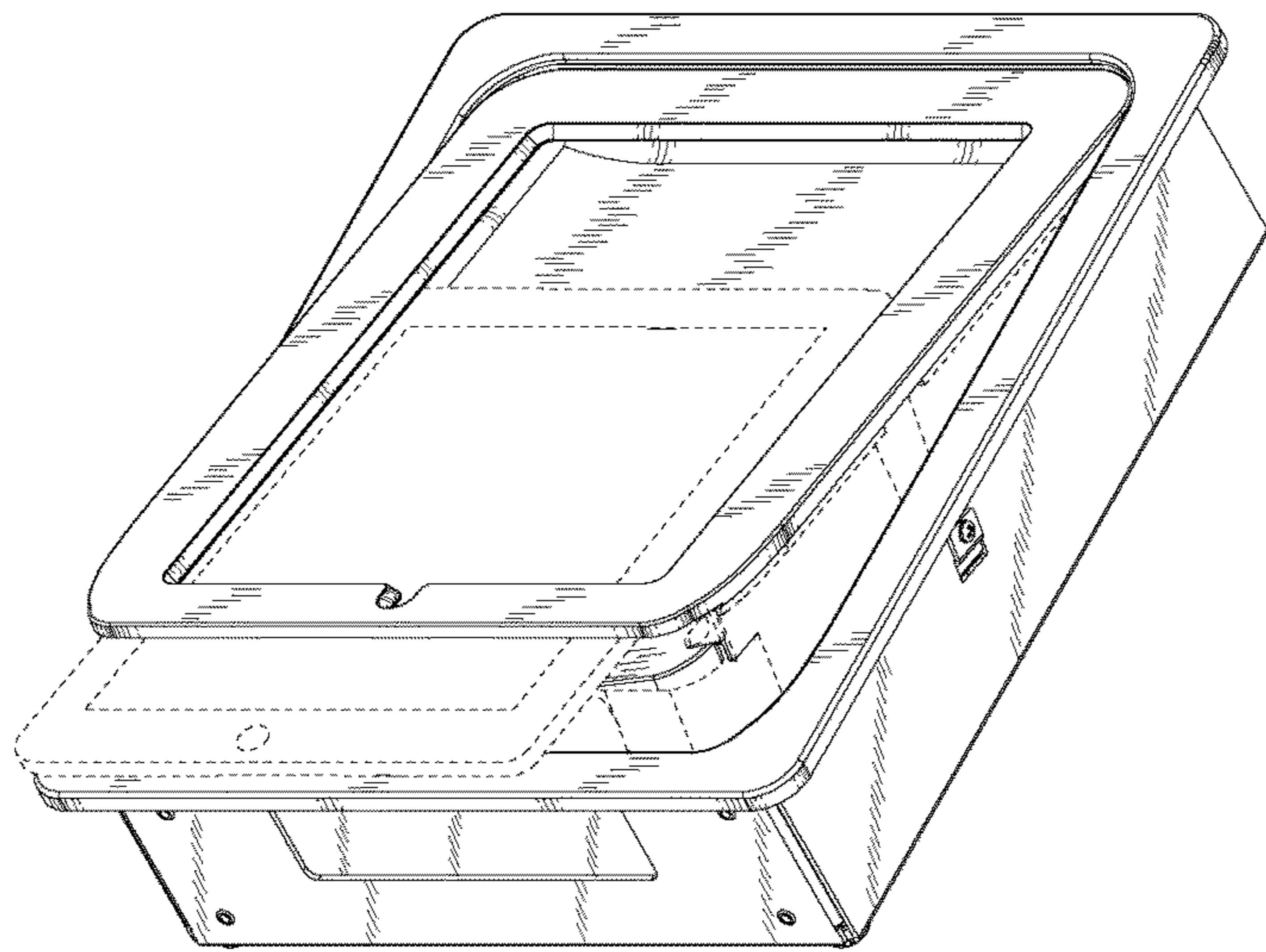


FIG. 15