



US00D692006S

(12) **United States Design Patent**
Fujioka

(10) **Patent No.:** **US D692,006 S**

(45) **Date of Patent:** **** Oct. 22, 2013**

(54) **CASE FOR AN ELECTRONIC DEVICE**

(71) Applicant: **Robb Fujioka**, Manhattan Beach, CA
(US)

(72) Inventor: **Robb Fujioka**, Manhattan Beach, CA
(US)

(**) Term: **14 Years**

(21) Appl. No.: **29/446,135**

(22) Filed: **Feb. 20, 2013**

(51) **LOC (9) Cl.** **14-02**

(52) **U.S. Cl.**
USPC **D14/440**

(58) **Field of Classification Search**
USPC D14/250, 251, 253, 240, 217, 496, 440,
D14/203.3, 203.4, 203.5, 203.8, 341, 318;
D3/218, 215, 201, 294, 289, 900;
220/4.02; 248/309.1; 361/679.56;
379/426, 433.11, 455; 455/575.1,
455/575.8; 190/100; 206/305, 320;
D21/469

See application file for complete search history.

(56) **References Cited**

U.S. PATENT DOCUMENTS

5,887,723 A * 3/1999 Myles et al. 206/760
D624,615 S * 9/2010 Kusmierz D21/686

D635,555 S * 4/2011 Giles D14/217
D643,433 S * 8/2011 Hsieh et al. D14/440
D652,214 S * 1/2012 Swartz et al. D3/301
D656,135 S * 3/2012 Swartz et al. D14/250
D668,661 S * 10/2012 Norfolk D14/440
D674,803 S * 1/2013 Westrup D14/440
2009/0171397 A1 * 7/2009 Rothman et al. 606/280
2012/0043247 A1 * 2/2012 Westrup 206/472
2012/0193496 A1 * 8/2012 Li 248/316.1

* cited by examiner

Primary Examiner — Cynthia Underwood

(74) *Attorney, Agent, or Firm* — Manatt, Phelps & Phillips,
LLP

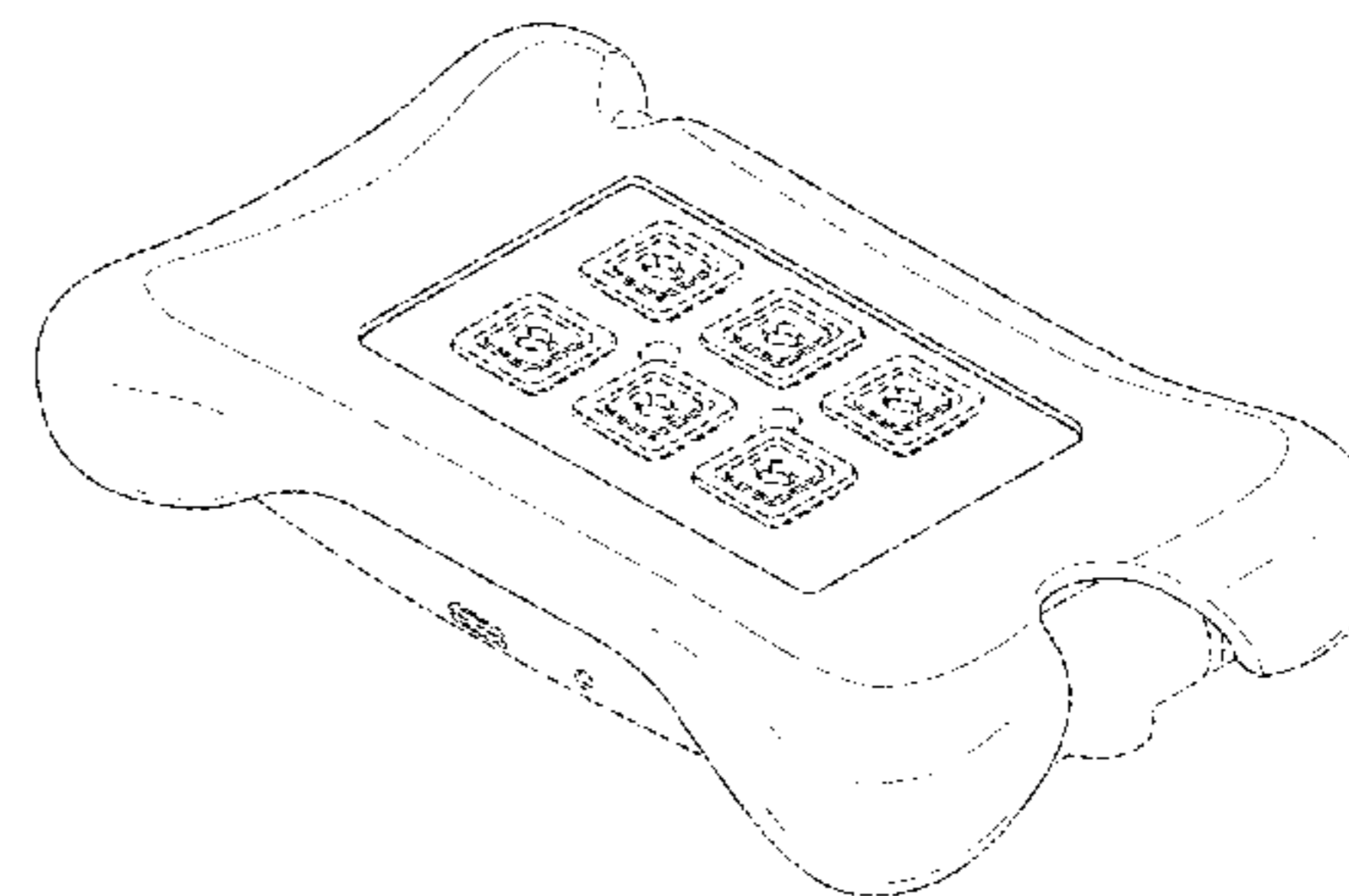
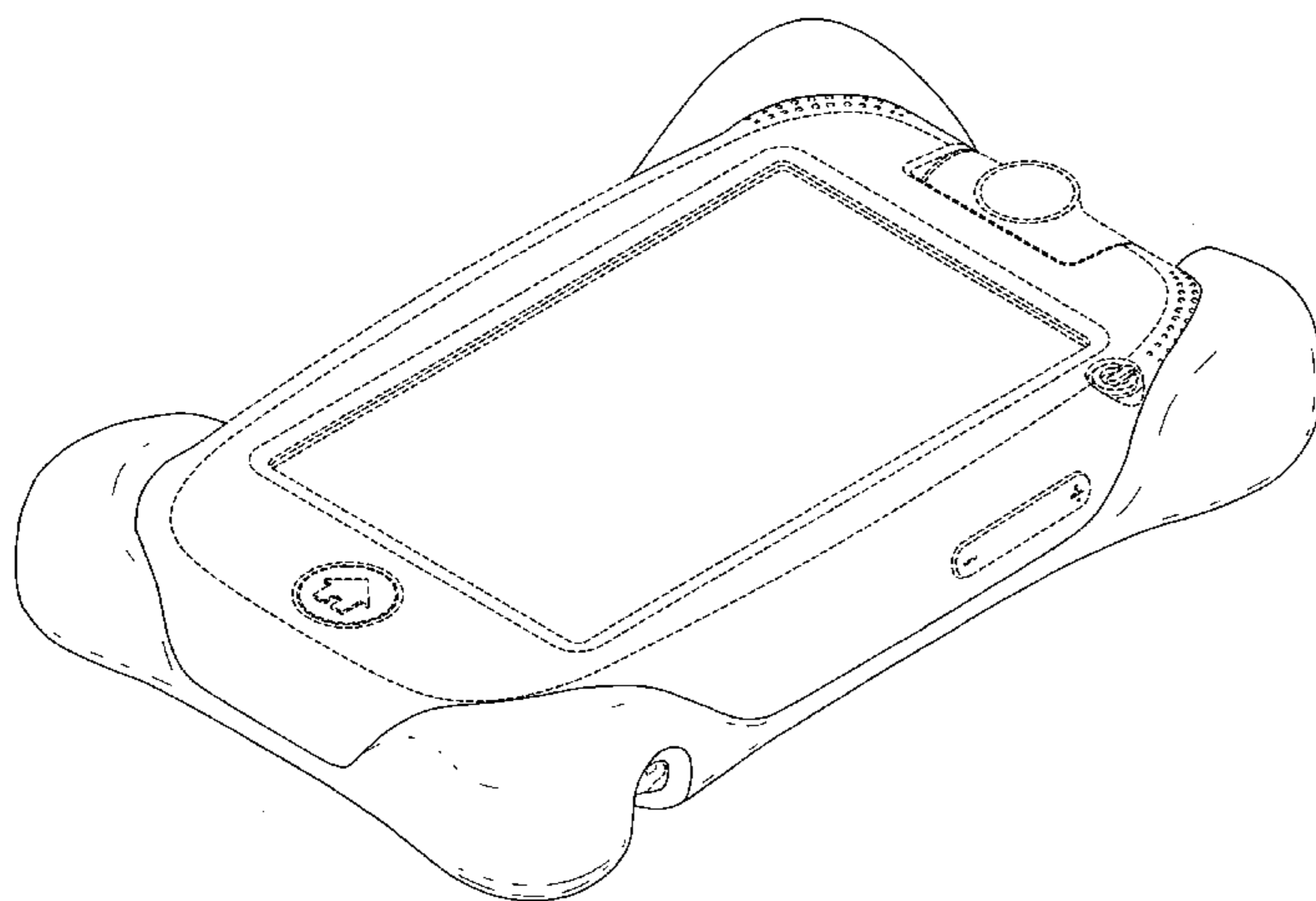
(57) **CLAIM**

The ornamental design for a case for an electronic device,
substantially as shown and described.

DESCRIPTION

FIG. 1 is a top perspective view of a case for an electronic device showing a new design;
FIG. 2 is a top view thereof;
FIG. 3 is a bottom view thereof;
FIG. 4 is an upper side view thereof;
FIG. 5 is a lower side view thereof;
FIG. 6 is a right side view thereof;
FIG. 7 is a left side view thereof; and,
FIG. 8 is a bottom perspective view thereof.
The broken line portions in all views are for illustrative purposes only and form no part of the claimed design.

1 Claim, 4 Drawing Sheets



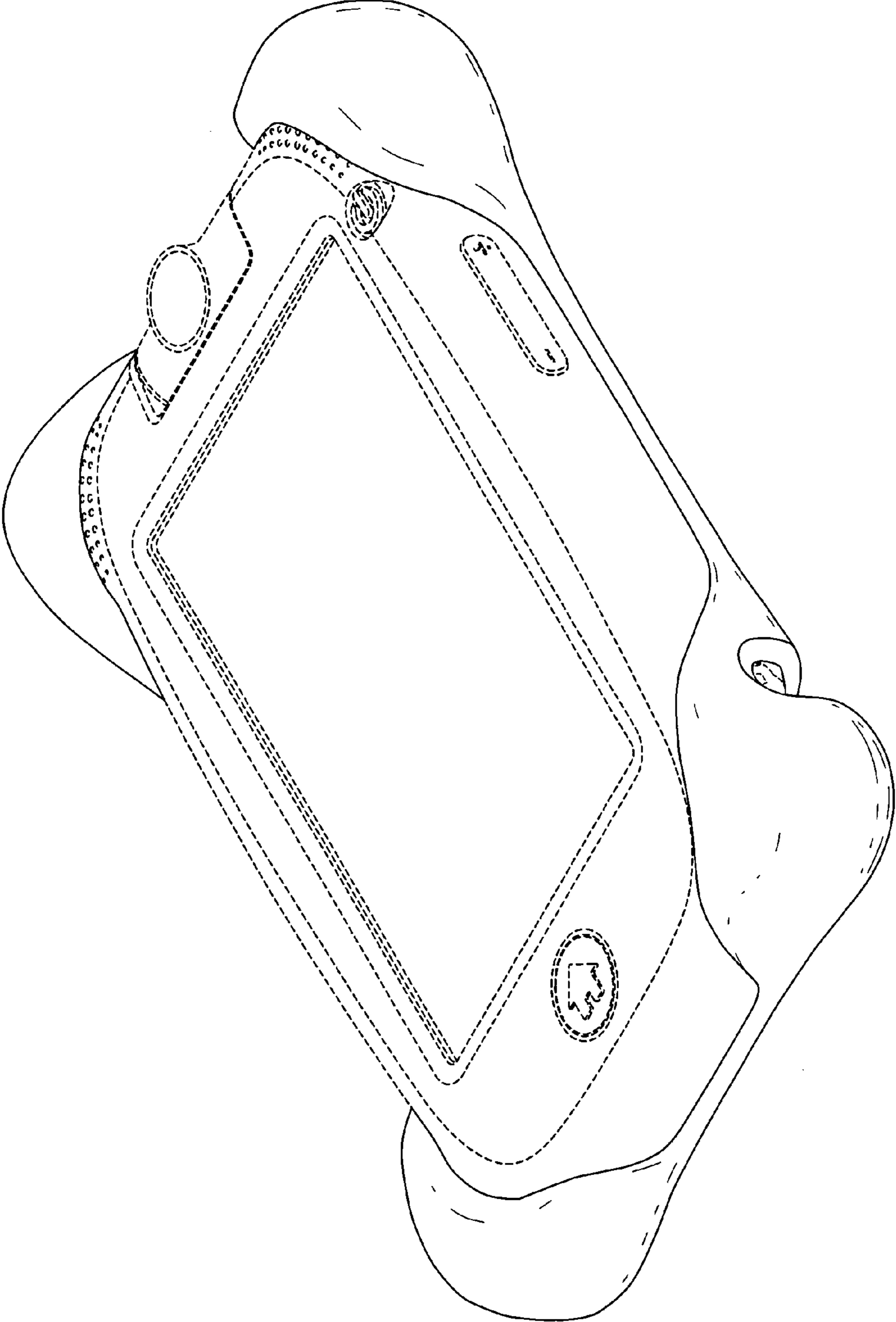


Fig. 1

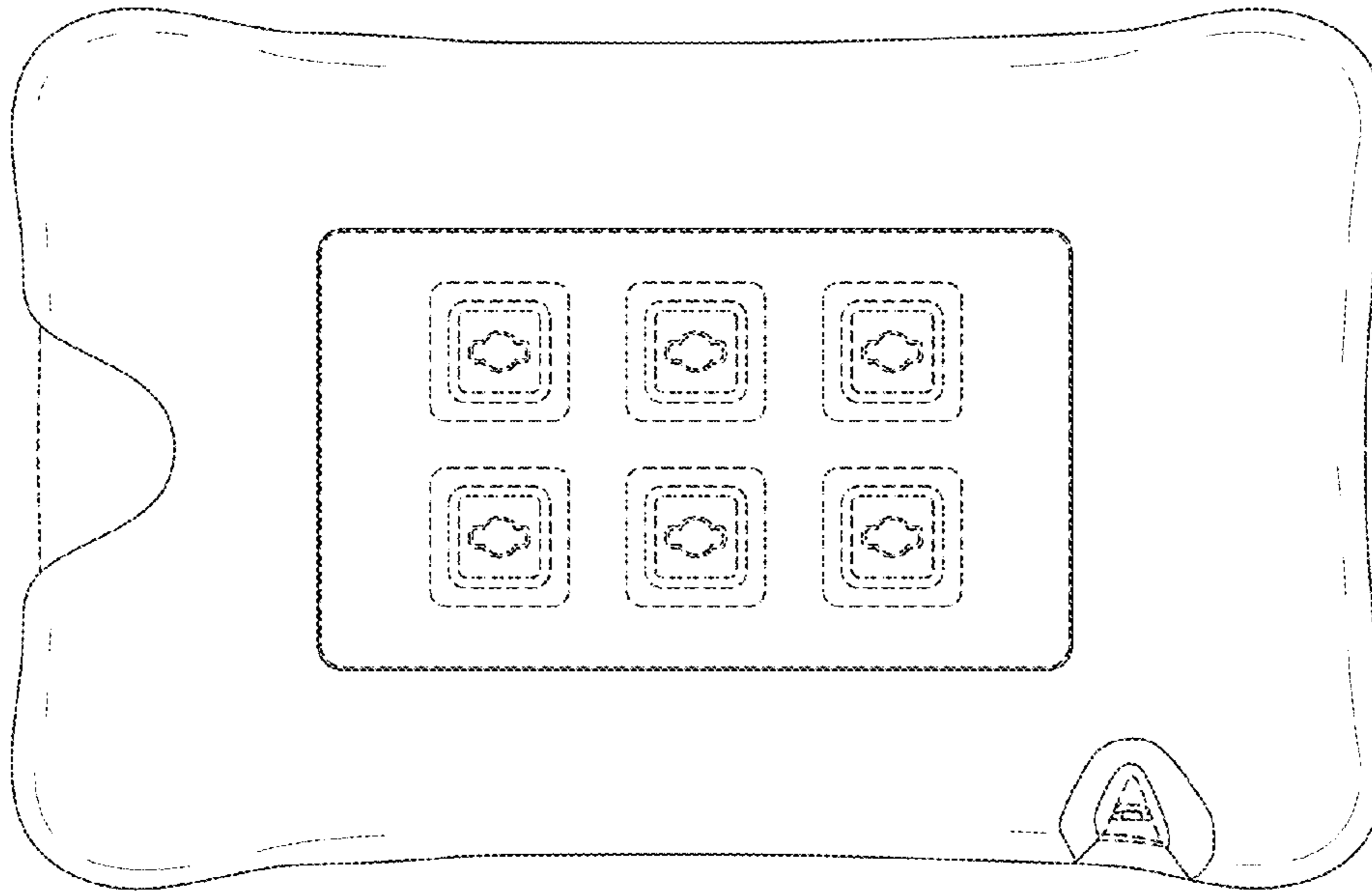


Fig. 3

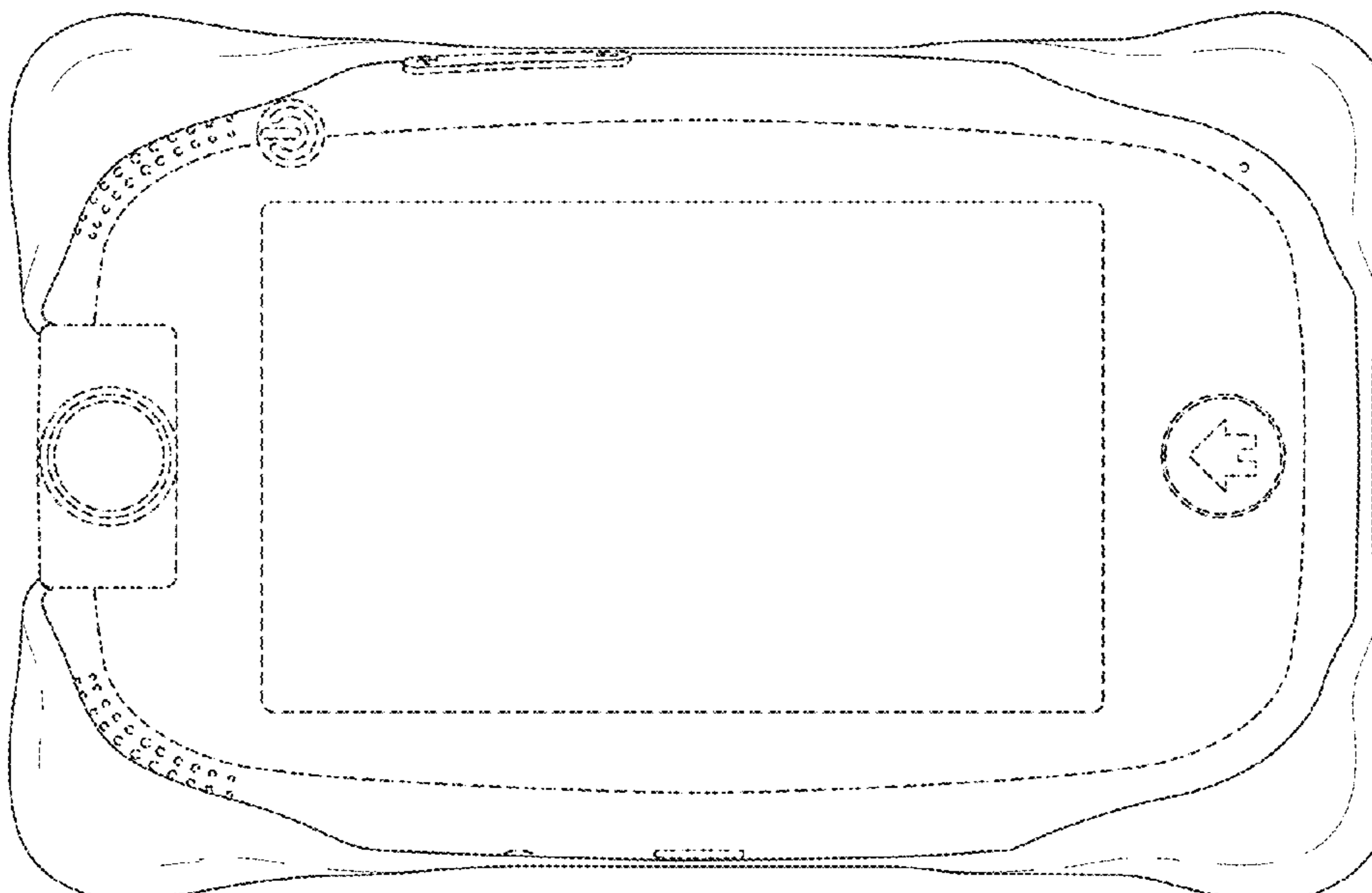


Fig. 2

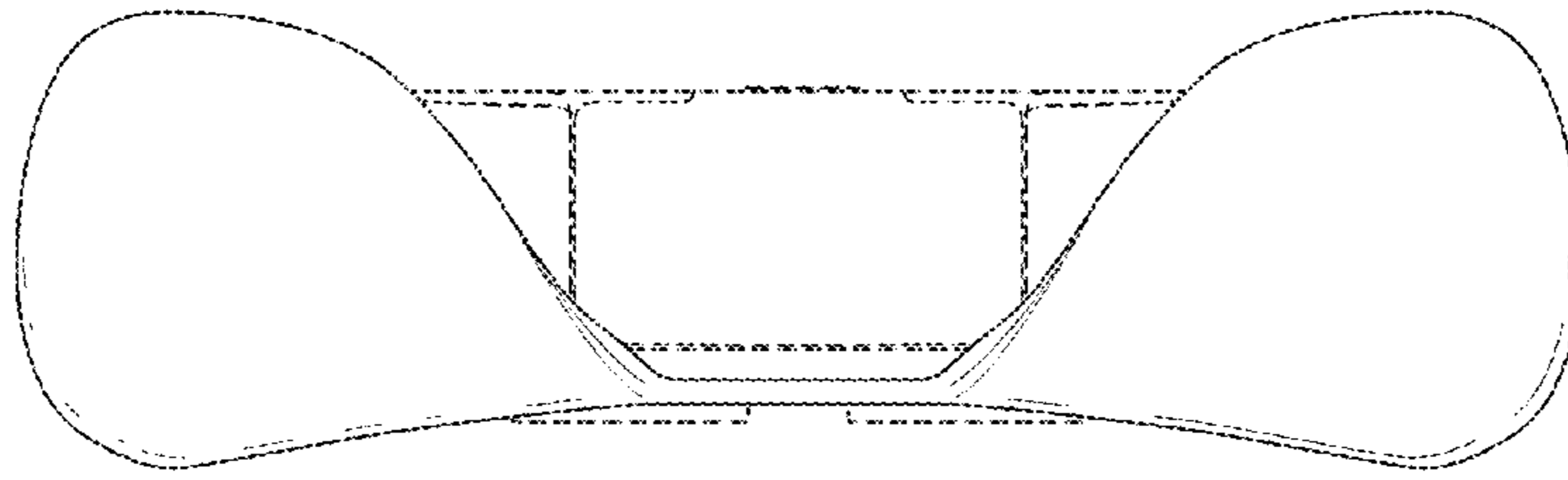


Fig. 4

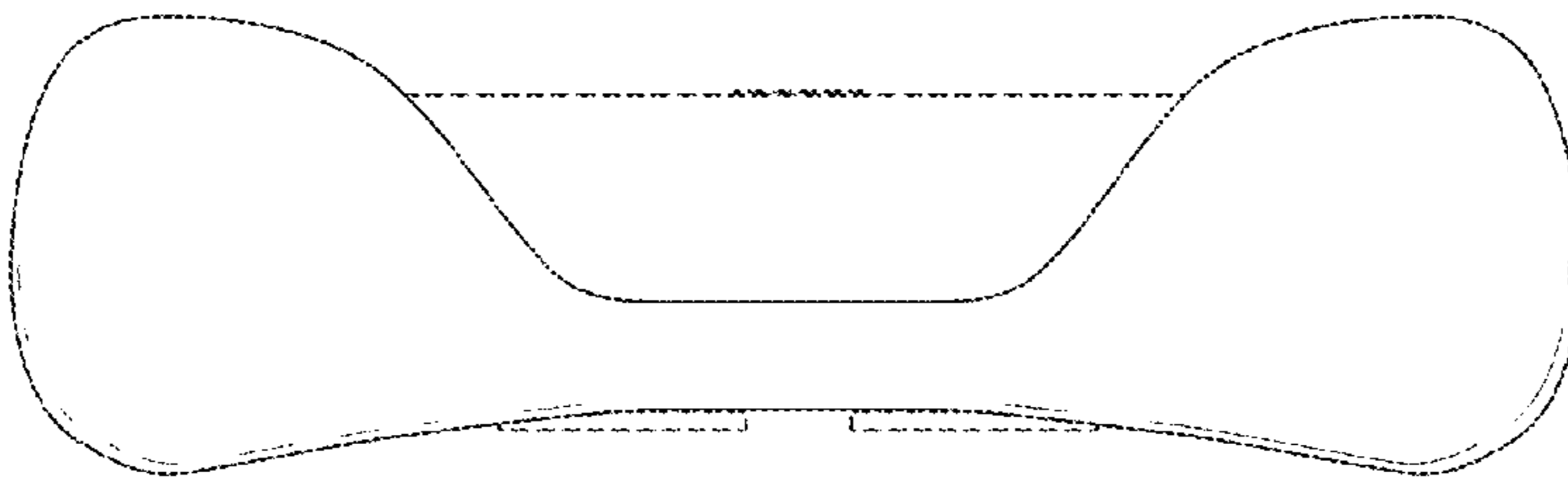


Fig. 5

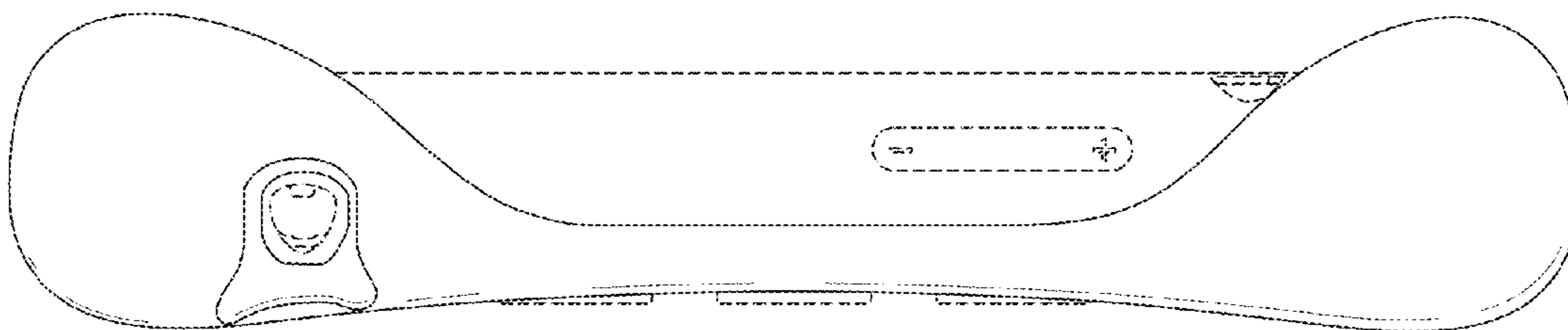


Fig. 6

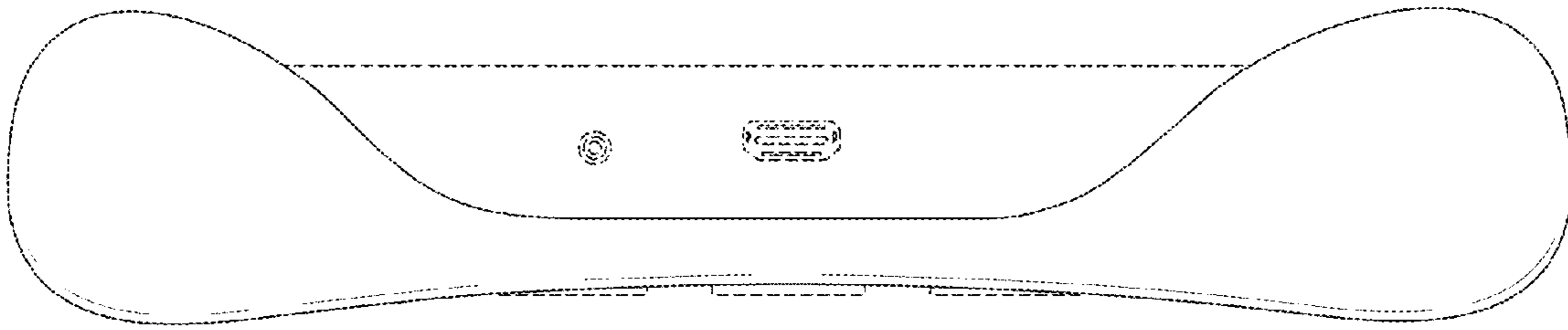


Fig. 7

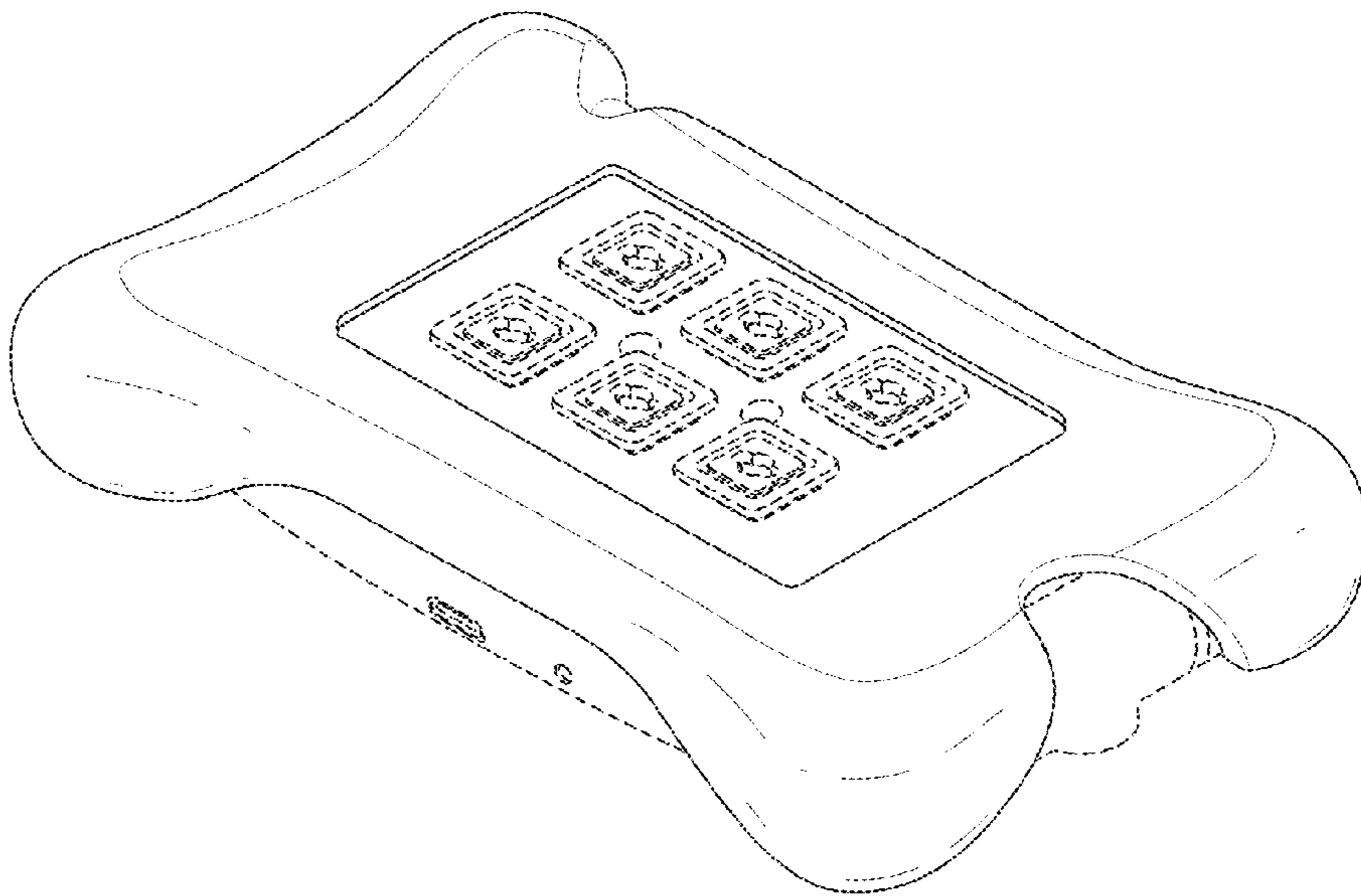


Fig. 8