



US00D692003S

(12) **United States Design Patent**
Coulter

(10) **Patent No.:** **US D692,003 S**

(45) **Date of Patent:** **** Oct. 22, 2013**

- (54) **INTERCHANGEABLE JOYSTICK**
- (71) Applicant: **Todd Coulter**, Memphis, TN (US)
- (72) Inventor: **Todd Coulter**, Memphis, TN (US)
- (**) Term: **14 Years**
- (21) Appl. No.: **29/441,474**
- (22) Filed: **Jan. 4, 2013**

D331,060 S	11/1992	Emmons et al.	
D474,672 S	5/2003	Fields	
D501,848 S	2/2005	Uehara et al.	
D518,030 S	3/2006	Lin	
D521,512 S	5/2006	Kunzi et al.	
D540,395 S	4/2007	Bailey	
D558,767 S	1/2008	Solland	
D603,457 S	11/2009	Julskjer et al.	
D613,291 S	4/2010	Carver	
D617,847 S *	6/2010	Royer et al.	D21/333
D625,295 S *	10/2010	Nogueira et al.	D14/218
D632,281 S *	2/2011	Hoehn et al.	D14/218
D639,783 S *	6/2011	Murayama et al.	D14/218

Related U.S. Application Data

- (62) Division of application No. 29/403,239, filed on Oct. 3, 2011, now Pat. No. Des. 679,276.
- (51) **LOC (9) Cl.** **14-02**
- (52) **U.S. Cl.**
USPC **D14/412**
- (58) **Field of Classification Search**
USPC D14/217, 218, 356, 388, 389, 400, 401,
D14/412-416, 432-434, 454, 496;
D21/324, 332, 333; D34/27, 35; 463/1,
463/30, 36-38, 46, 47; 345/156-161, 905;
D12/174, 178-180; D8/300, 303;
D15/138, 142; 74/489, 502.2, 523,
74/551.8, 551.9

See application file for complete search history.

(56) **References Cited**

U.S. PATENT DOCUMENTS

D51,333 S	10/1917	Heizmann
1,736,830 A	11/1929	McKee et al.
2,304,345 A	12/1942	Elliott
D310,874 S	9/1990	Utley, Jr.

* cited by examiner

Primary Examiner — Keli L Hill

(74) *Attorney, Agent, or Firm* — QuickPatents; Kevin Prince

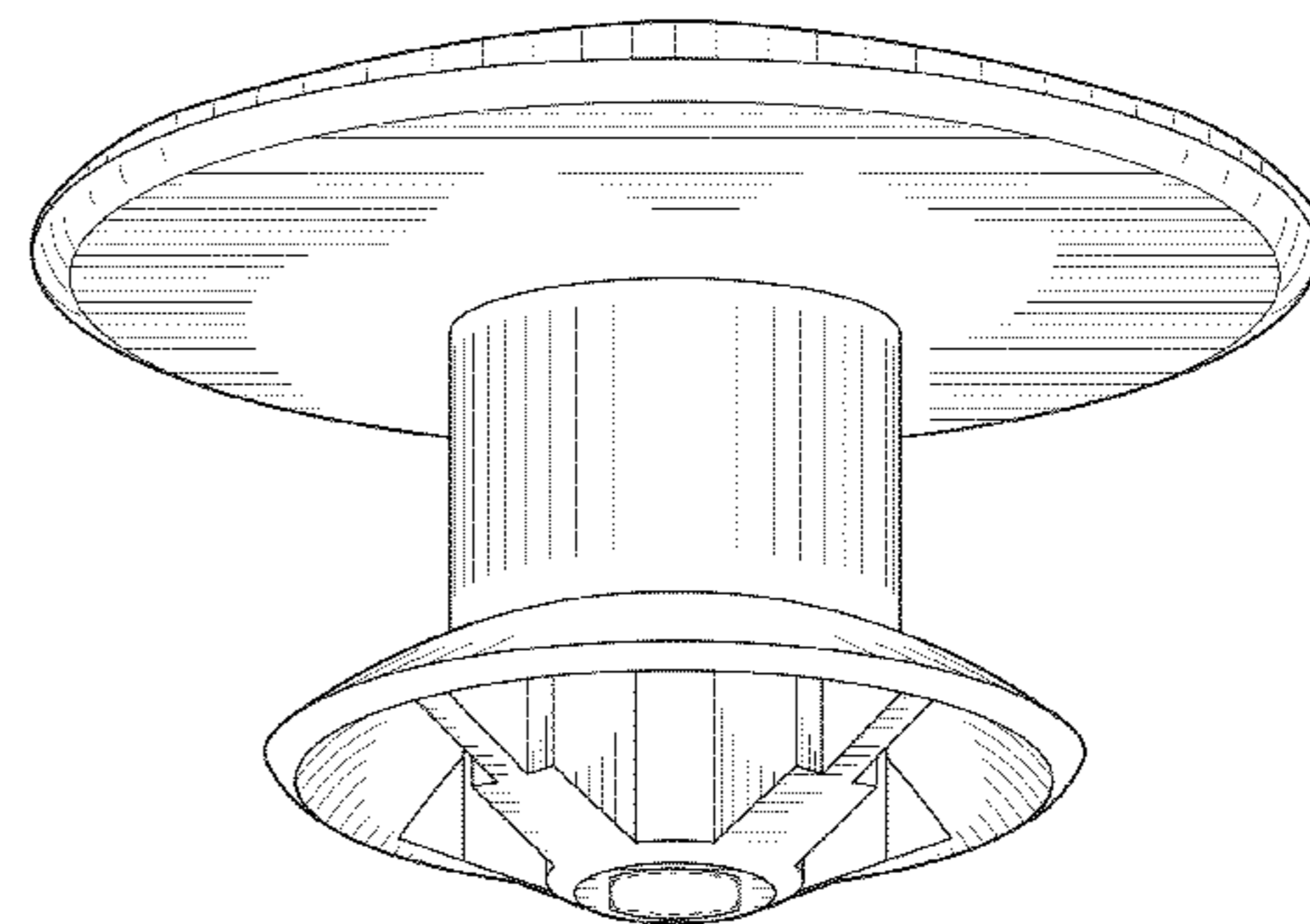
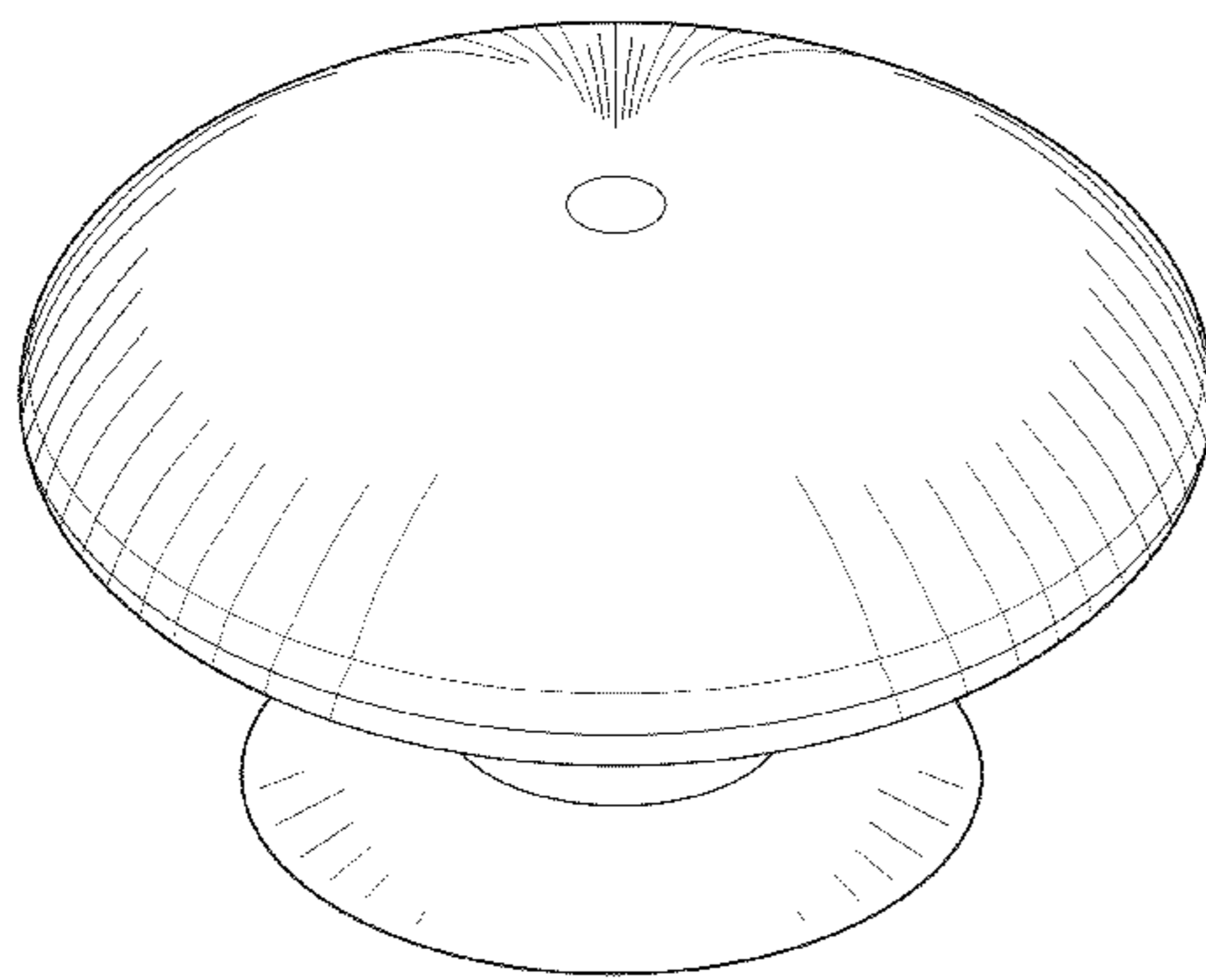
(57) **CLAIM**

I claim the ornamental design for an interchangeable joystick, as shown and described.

DESCRIPTION

FIG. 1 is a top perspective view of an interchangeable joystick, showing my new design;
 FIG. 2 is a bottom perspective view thereof;
 FIG. 3 is a left-side elevational view thereof, the right-side elevational view, front elevational view, and rear elevational view all being identical thereto;
 FIG. 4 is a top plan view thereof; and,
 FIG. 5 is a bottom plan view thereof.
 The broken lines seen in FIGS. 2 and 6 immediately adjacent the structure line represent the bounds of the claimed design and forms no part of the claimed design.

1 Claim, 3 Drawing Sheets



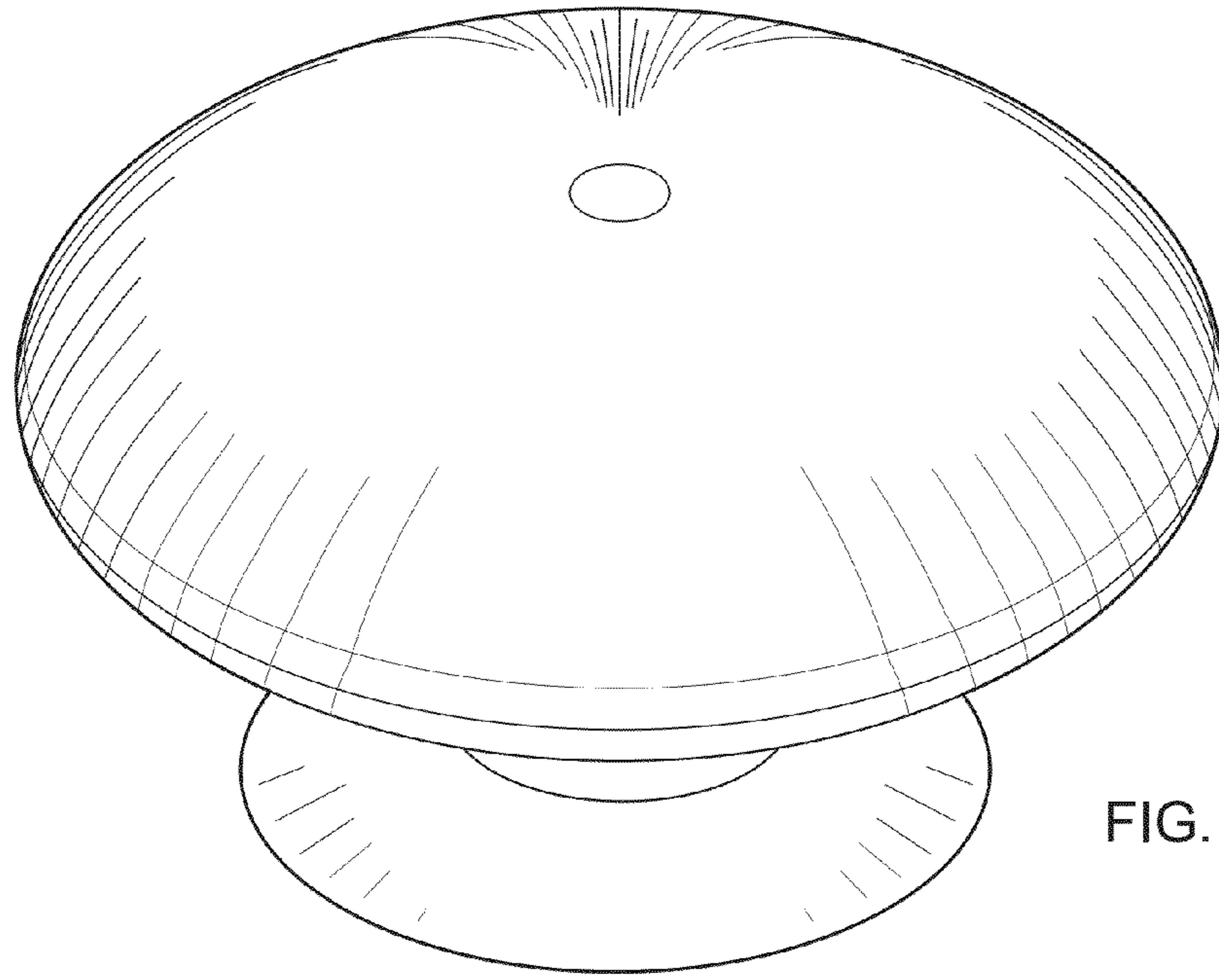


FIG. 1

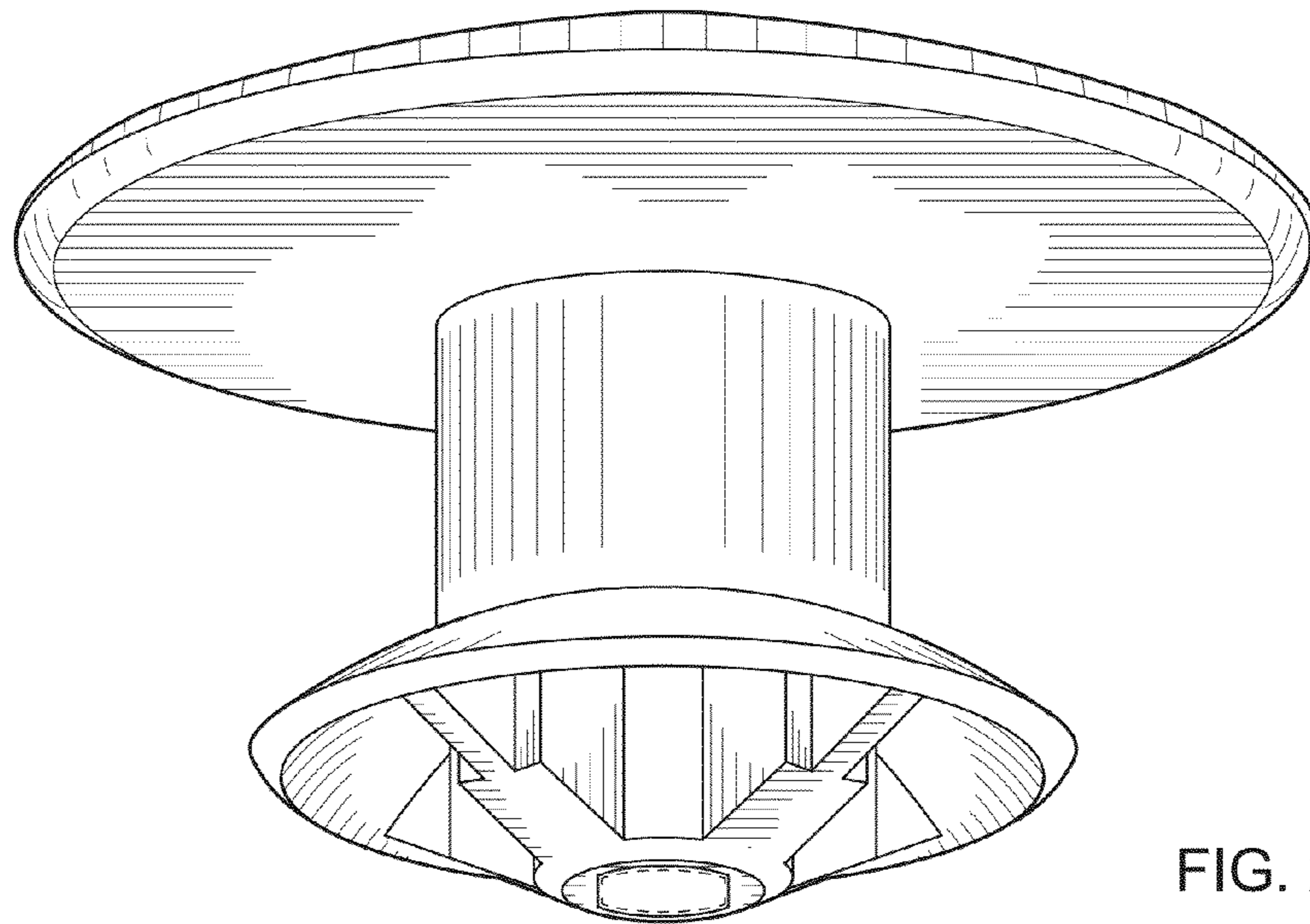


FIG. 2

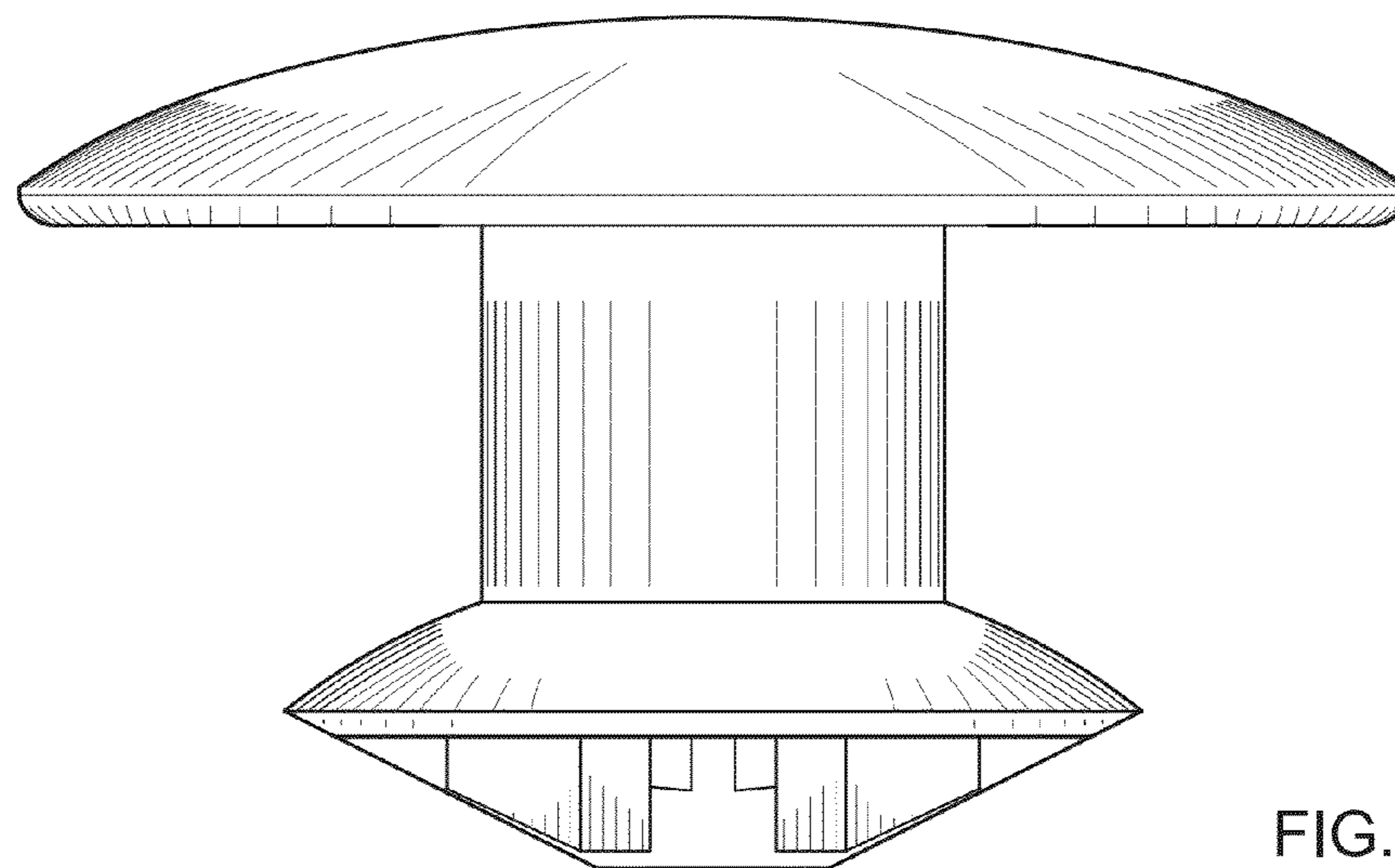


FIG. 3

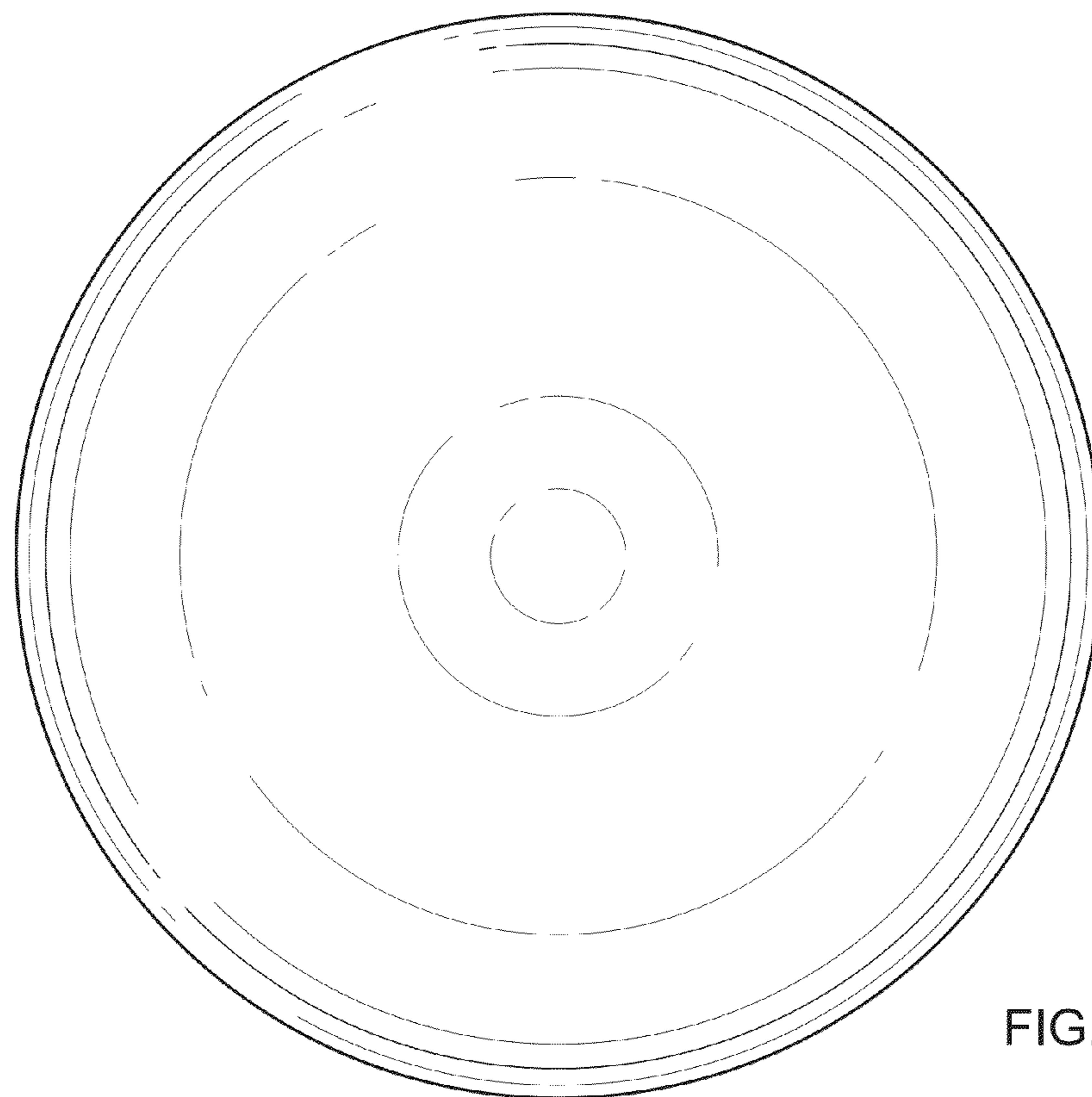


FIG. 4

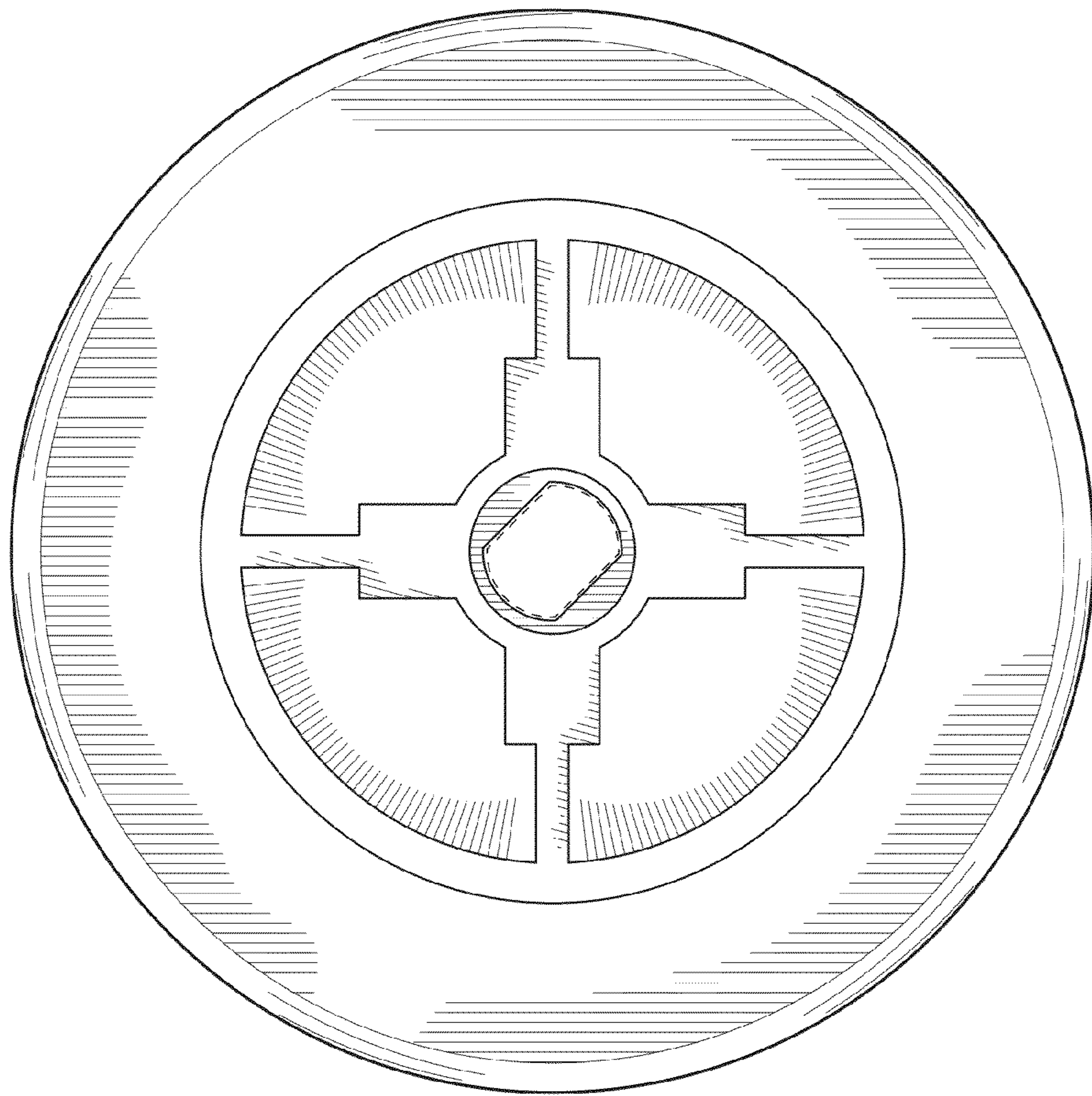


FIG. 5