

US00D691996S

(12) **United States Design Patent**
Ohshima

(10) **Patent No.:** **US D691,996 S**

(45) **Date of Patent:** **** Oct. 22, 2013**

(54) **ELECTRONIC COMPUTER**

(75) Inventor: **Jun Ohshima**, Tokyo (JP)

(73) Assignee: **Kabushiki Kaisha Toshiba** (JP)

(**) Term: **14 Years**

(21) Appl. No.: **29/412,836**

(22) Filed: **Feb. 8, 2012**

(30) **Foreign Application Priority Data**

Aug. 11, 2011 (JP) 2011-018486

(51) **LOC (9) Cl.** **14-02**

(52) **U.S. Cl.**
USPC **D14/341**

(58) **Field of Classification Search**
USPC D14/341-347, 138 C, 137, 138, 138.1,
D14/138 AA, 138 R, 138 G, 496, 203.1,
D14/203.3, 203.4, 203.5, 203.7, 432, 129,
D14/130, 439, 448, 147, 218, 248, 389, 388,
D14/315-318; D21/324, 331; D19/59-60;
D10/65, 104; D18/6, 7; 455/556.1,
455/575.1, 575.3, 575.4; 345/169,
345/156-157, 168, 173; 341/22, 23;
361/679.27

See application file for complete search history.

(56) **References Cited**

U.S. PATENT DOCUMENTS

D333,574 S * 3/1993 Ackeret D6/300
D504,889 S * 5/2005 Andre et al. D14/341
D600,241 S * 9/2009 Andre et al. D14/341
D601,353 S * 10/2009 Sadler et al. D6/308
D602,014 S * 10/2009 Andre et al. D14/341
D602,015 S * 10/2009 Andre et al. D14/341
D622,270 S * 8/2010 Andre et al. D14/341
D627,777 S * 11/2010 Akana et al. D14/341
D636,391 S * 4/2011 Shen et al. D14/341

D638,412 S * 5/2011 Lee D14/250
D639,266 S * 6/2011 DeLorenzo et al. D14/142
D642,563 S * 8/2011 Akana et al. D14/341
D645,833 S * 9/2011 Seflic et al. D14/138 G
D656,918 S * 4/2012 Kim et al. D14/138 G
D663,281 S * 7/2012 Hwang D14/138 G
D667,398 S * 9/2012 Koh D14/341
D667,399 S * 9/2012 Koh D14/341
D670,286 S * 11/2012 Akana et al. D14/341
D670,692 S * 11/2012 Akana et al. D14/341
D677,660 S * 3/2013 Groene et al. D14/341
D678,271 S * 3/2013 Chiu D14/341
D680,524 S * 4/2013 Feng et al. D14/341
D681,583 S * 5/2013 Park D14/138 G
D681,632 S * 5/2013 Akana et al. D14/341

FOREIGN PATENT DOCUMENTS

JP 1408196 2/2011
JP 1414036 5/2011

* cited by examiner

Primary Examiner — Barbara Fox

(74) *Attorney, Agent, or Firm* — Banner & Witcoff, Ltd.

(57) **CLAIM**

The ornamental design for an electronic computer, as shown and described.

DESCRIPTION

FIG. 1 is a perspective view of an electronic computer showing my new design,

FIG. 2 is a front elevational view thereof,

FIG. 3 is a rear elevational view thereof,

FIG. 4 is a left side elevational view thereof.

FIG. 5 is a right side elevational view thereof,

FIG. 6 is a top plan view thereof; and,

FIG. 7 is a bottom plan view thereof.

The broken lines in the figures show portions of the electronic computer which form no part of the claimed design.

1 Claim, 5 Drawing Sheets

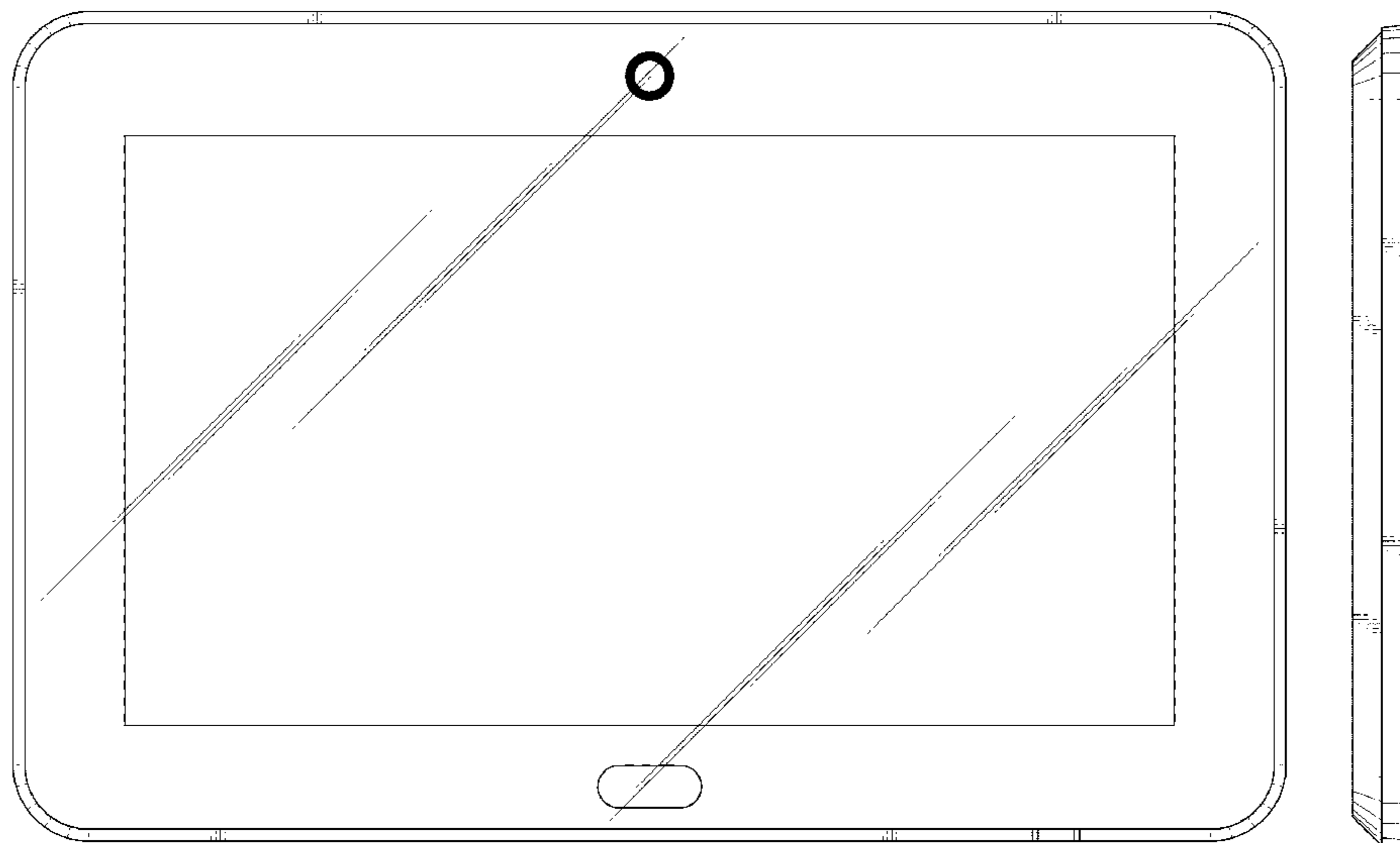


Fig. 1

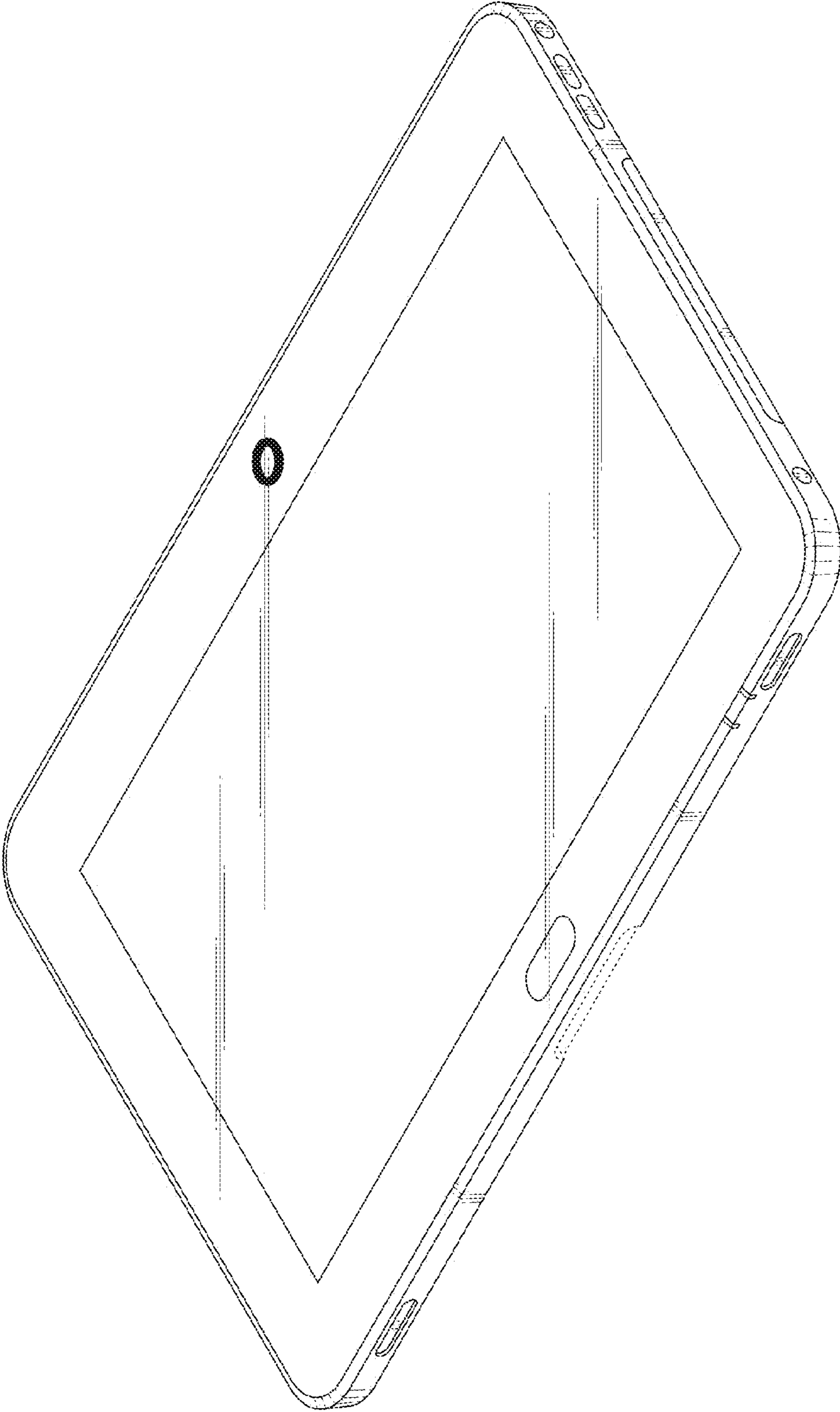


Fig. 2

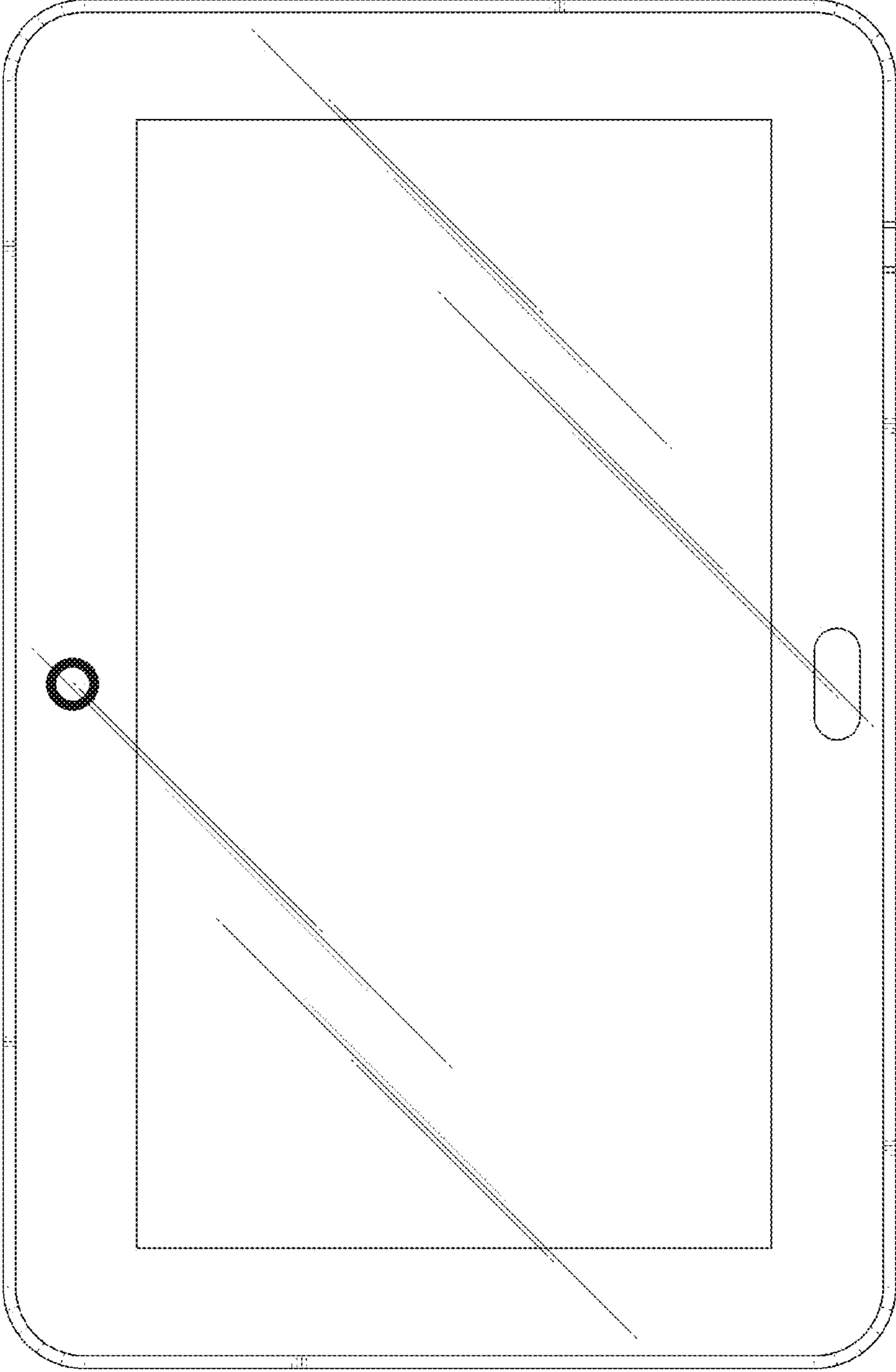


Fig. 3

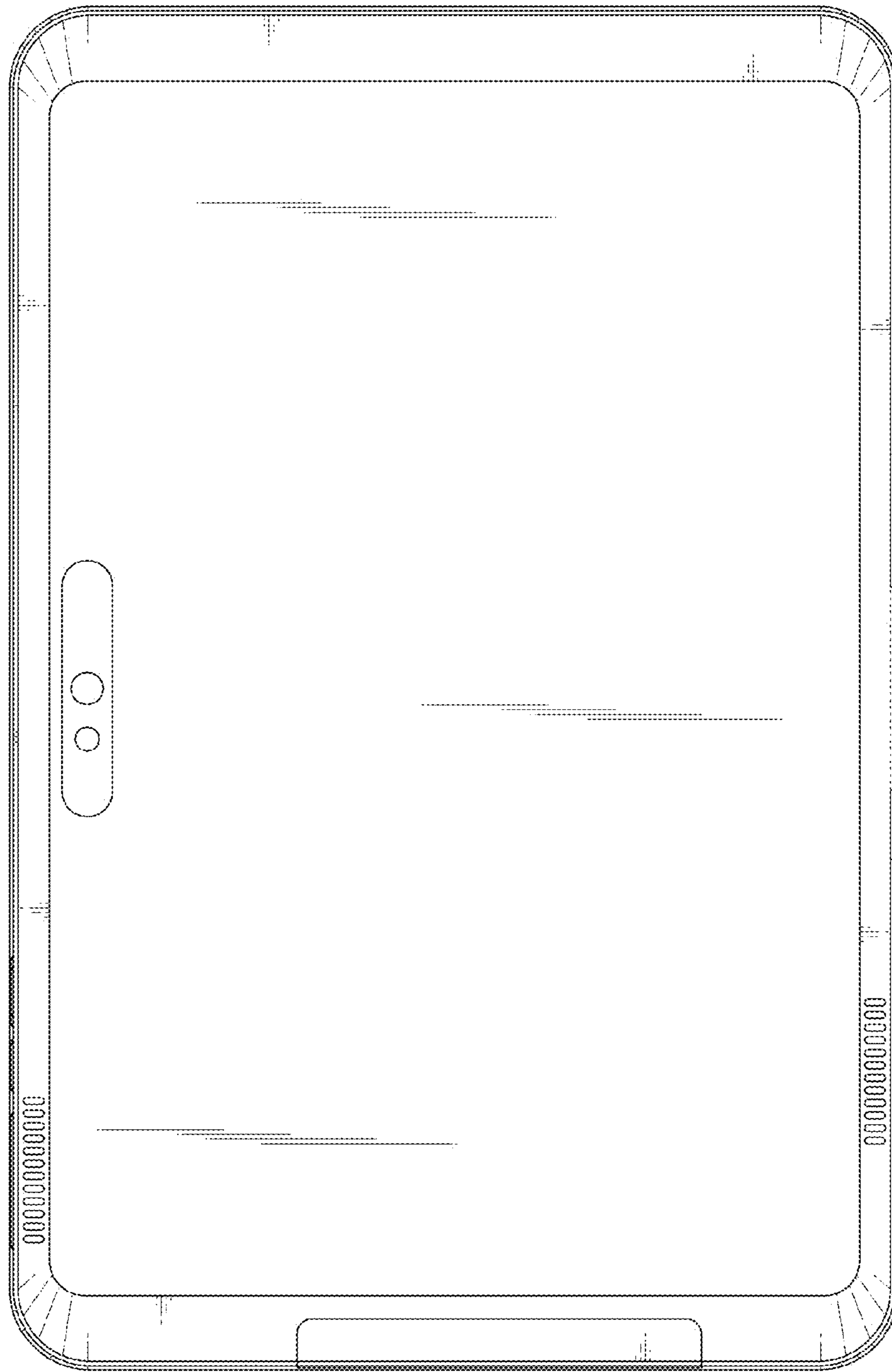


Fig. 5

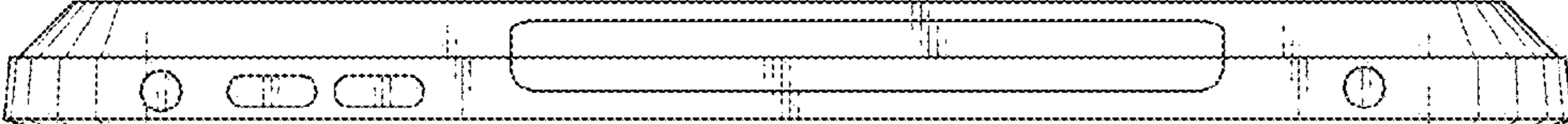


Fig. 4



Fig. 6

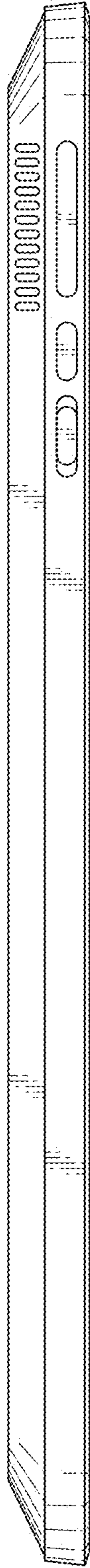


Fig. 7

