



US00D691994S

(12) **United States Design Patent**
Kim et al.

(10) **Patent No.:** **US D691,994 S**
(45) **Date of Patent:** **** Oct. 22, 2013**

(54) **NOTEBOOK COMPUTER**

(75) Inventors: **Chung-Ha Kim**, Seoul (KR);
Jung-Hwan Hong, Seoul (KR)

(73) Assignee: **Samsung Electronics Co., Ltd.**,
Suwon-si (KR)

(**) Term: **14 Years**

(21) Appl. No.: **29/431,658**

(22) Filed: **Sep. 10, 2012**

(30) **Foreign Application Priority Data**

Jul. 6, 2012 (KR) 30-2012-33075

(51) **LOC (9) Cl.** **14-02**

(52) **U.S. Cl.**
USPC **D14/315**

(58) **Field of Classification Search**

USPC D14/315-327, 371, 374, 341; D18/1, 2,
D18/7, 11; 235/145 A, 145 R; 341/22, 23;
345/104, 156, 168, 169, 173;
361/679.08, 679.09, 679.11, 679.26,
361/679.27; D6/308

See application file for complete search history.

(56) **References Cited**

U.S. PATENT DOCUMENTS

D491,175	S	*	6/2004	Shimano	D14/318
D519,500	S	*	4/2006	Maskatia et al.	D14/318
7,164,578	B2	*	1/2007	Wang et al.	361/679.08
D585,443	S	*	1/2009	Gluskoter et al.	D14/318
D606,535	S	*	12/2009	Morooka et al.	D14/316
D634,318	S	*	3/2011	Buckle et al.	D14/341
D656,497	S	*	3/2012	Chiu	D14/341

* cited by examiner

Primary Examiner — Freda S Nunn

(74) *Attorney, Agent, or Firm* — NSIP Law

(57) **CLAIM**

The ornamental design for a notebook computer, as shown and described.

DESCRIPTION

FIG. 1 is a front perspective view of a notebook computer; FIG. 2 is a front view of the notebook computer of FIG. 1; FIG. 3 is a rear view of the notebook computer of FIG. 1; FIG. 4 is a left-side view of the notebook computer of FIG. 1; FIG. 5 is a right-side view of the notebook computer of FIG. 1; FIG. 6 is a top plan view of the notebook computer of FIG. 1; FIG. 7 is a bottom plan view of the notebook computer of FIG. 1; and, FIG. 8 is an open front perspective view of the notebook computer of FIG. 1. Features shown in broken lines in FIGS. 1, 2, 3, 4, 5, 7, and 8 form no part of the claimed design.

1 Claim, 6 Drawing Sheets

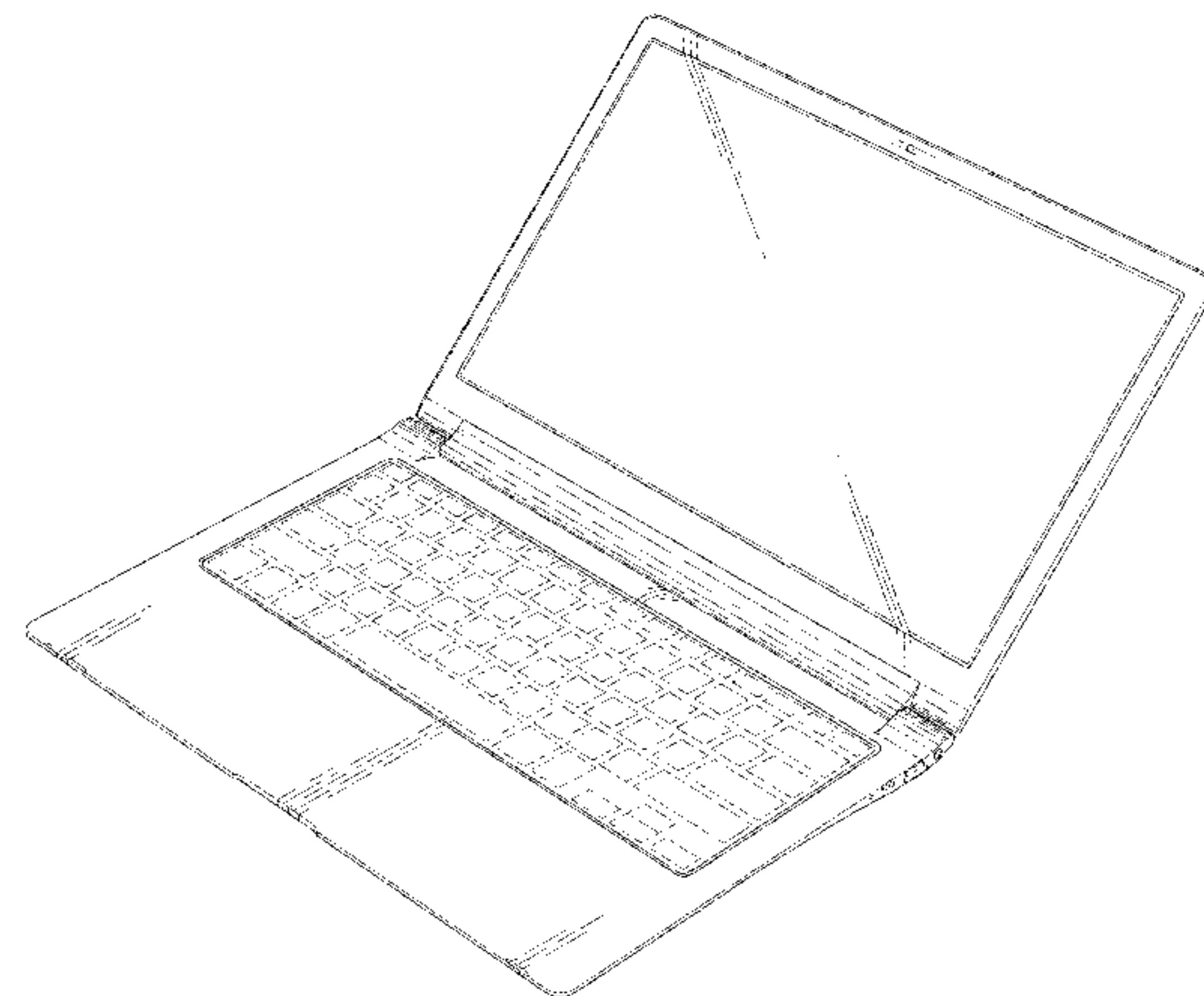
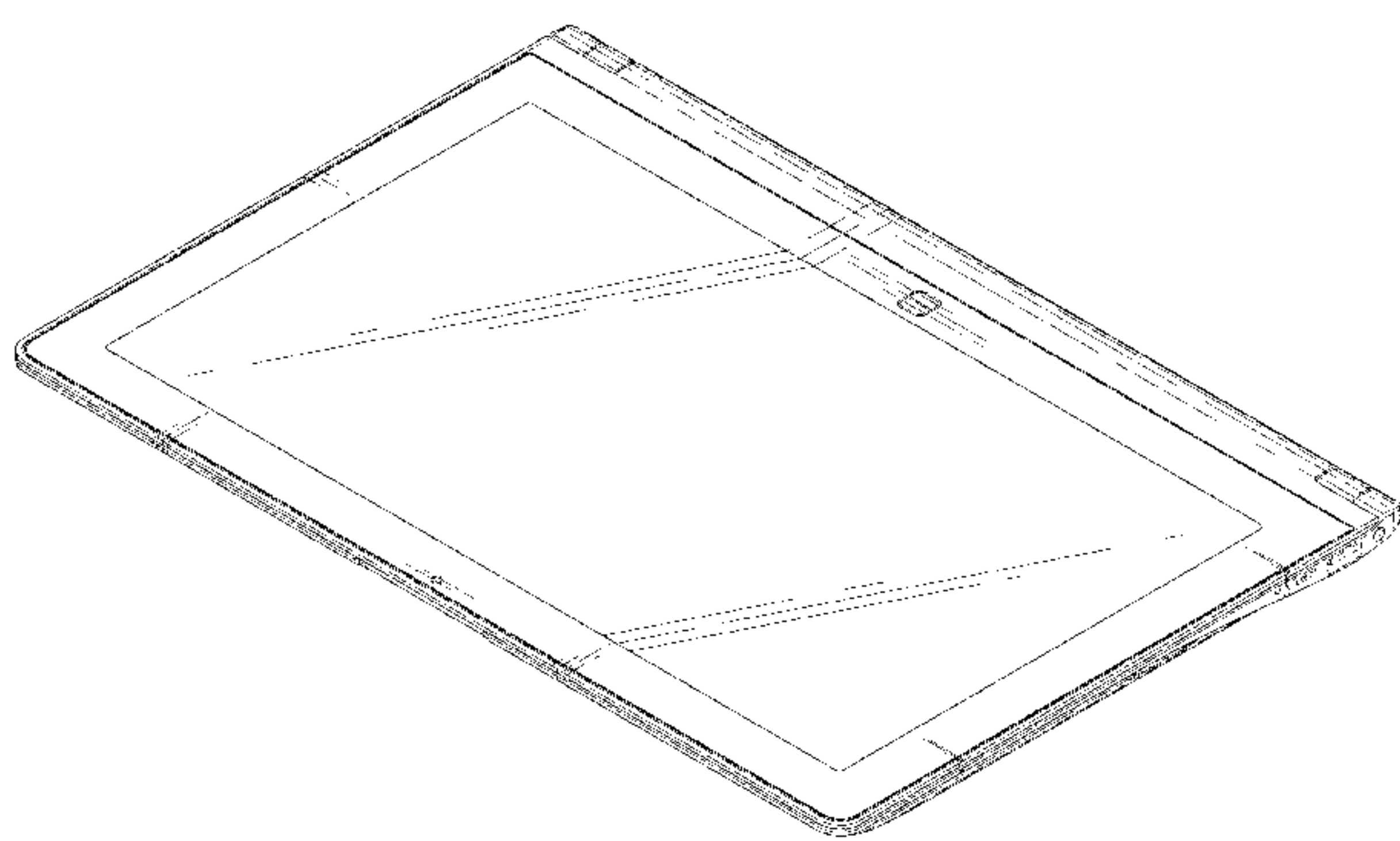


FIG. 1

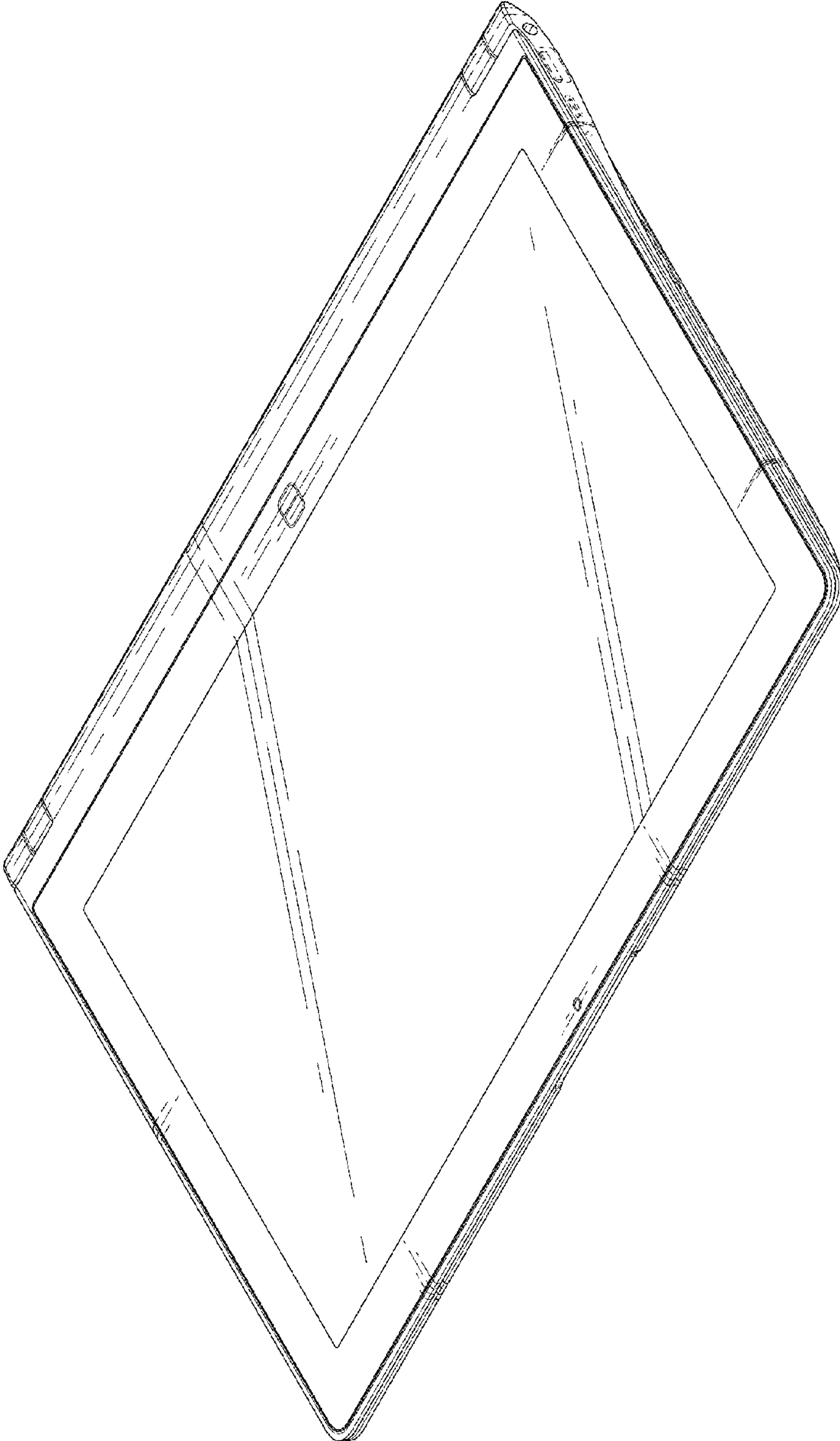


FIG. 2

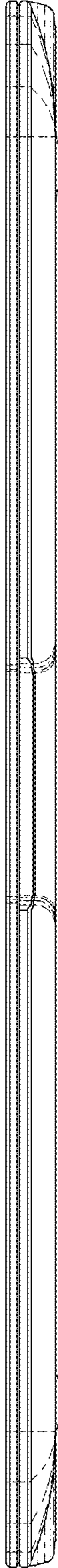


FIG. 3

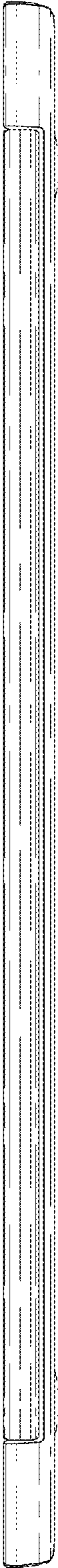


FIG. 4

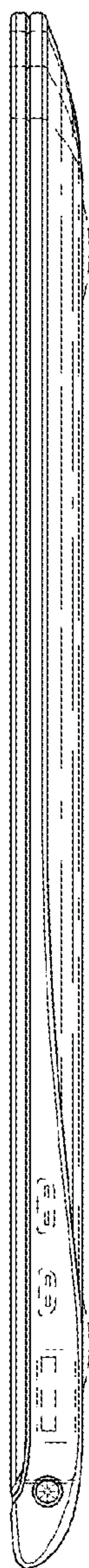


FIG. 5

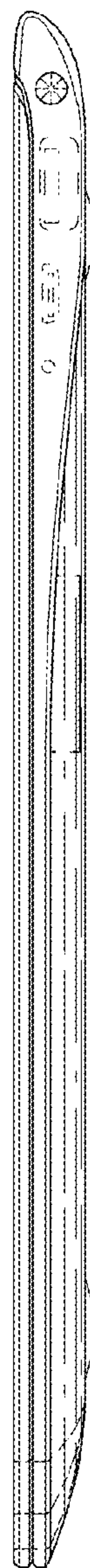


FIG. 6

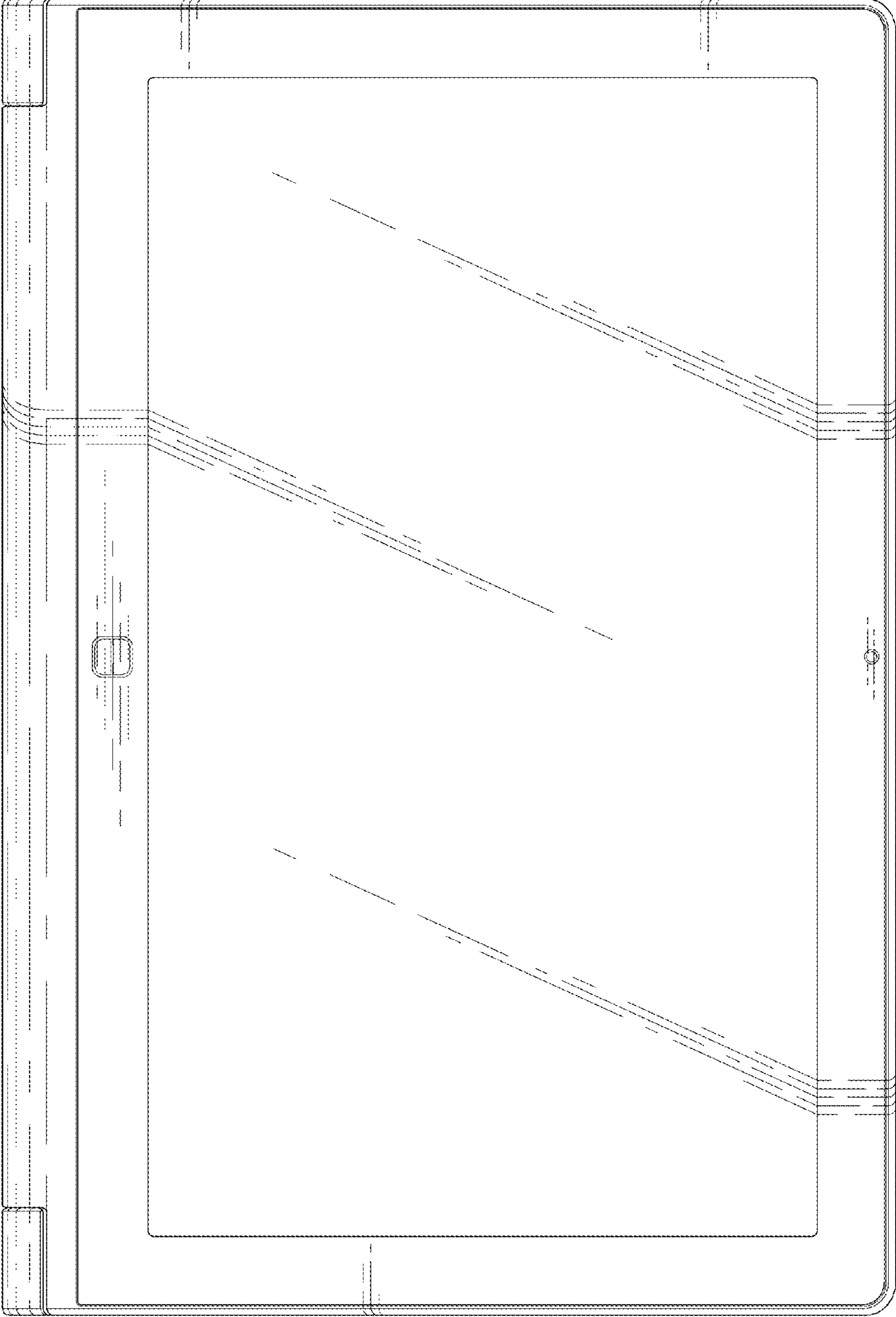
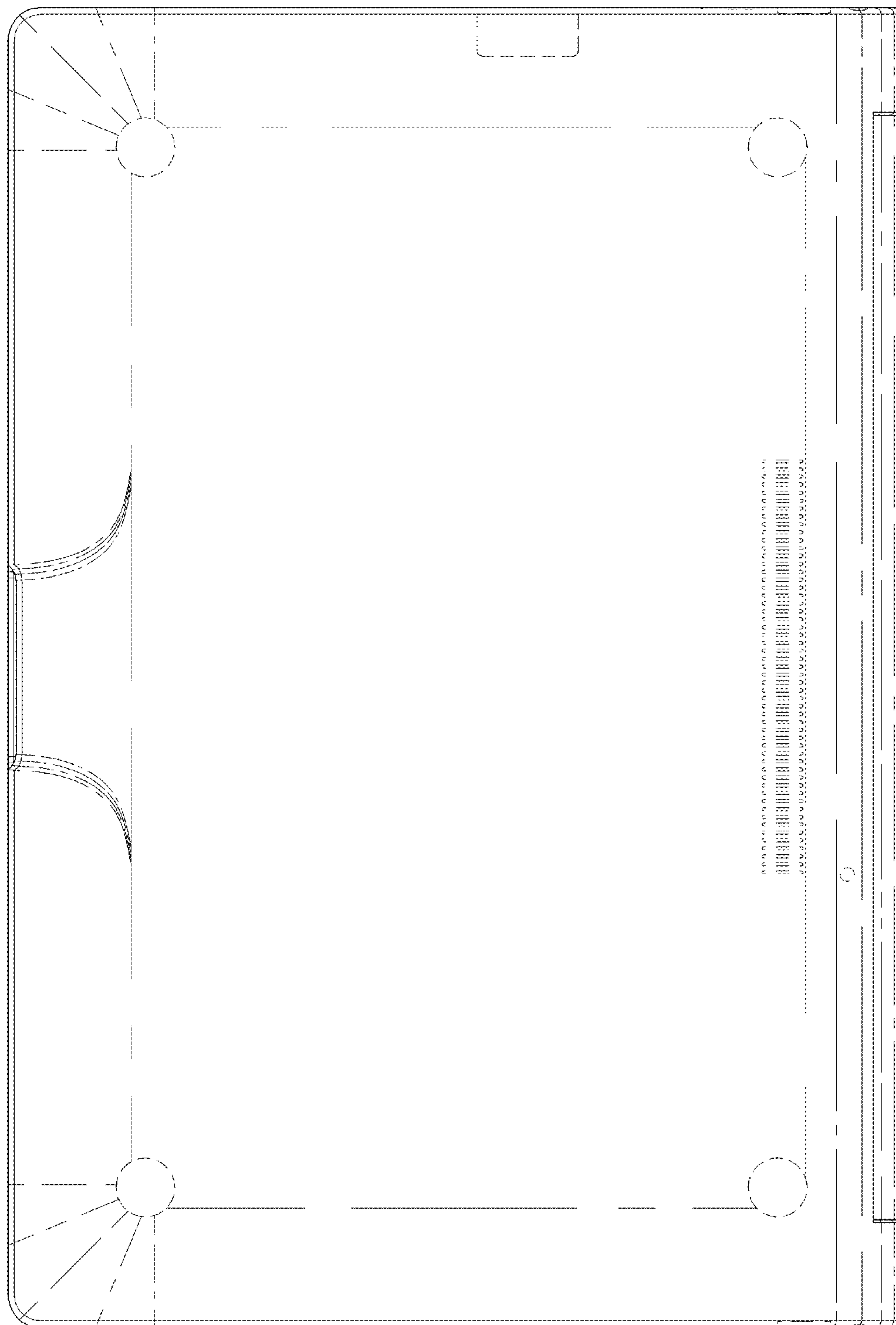


FIG. 7



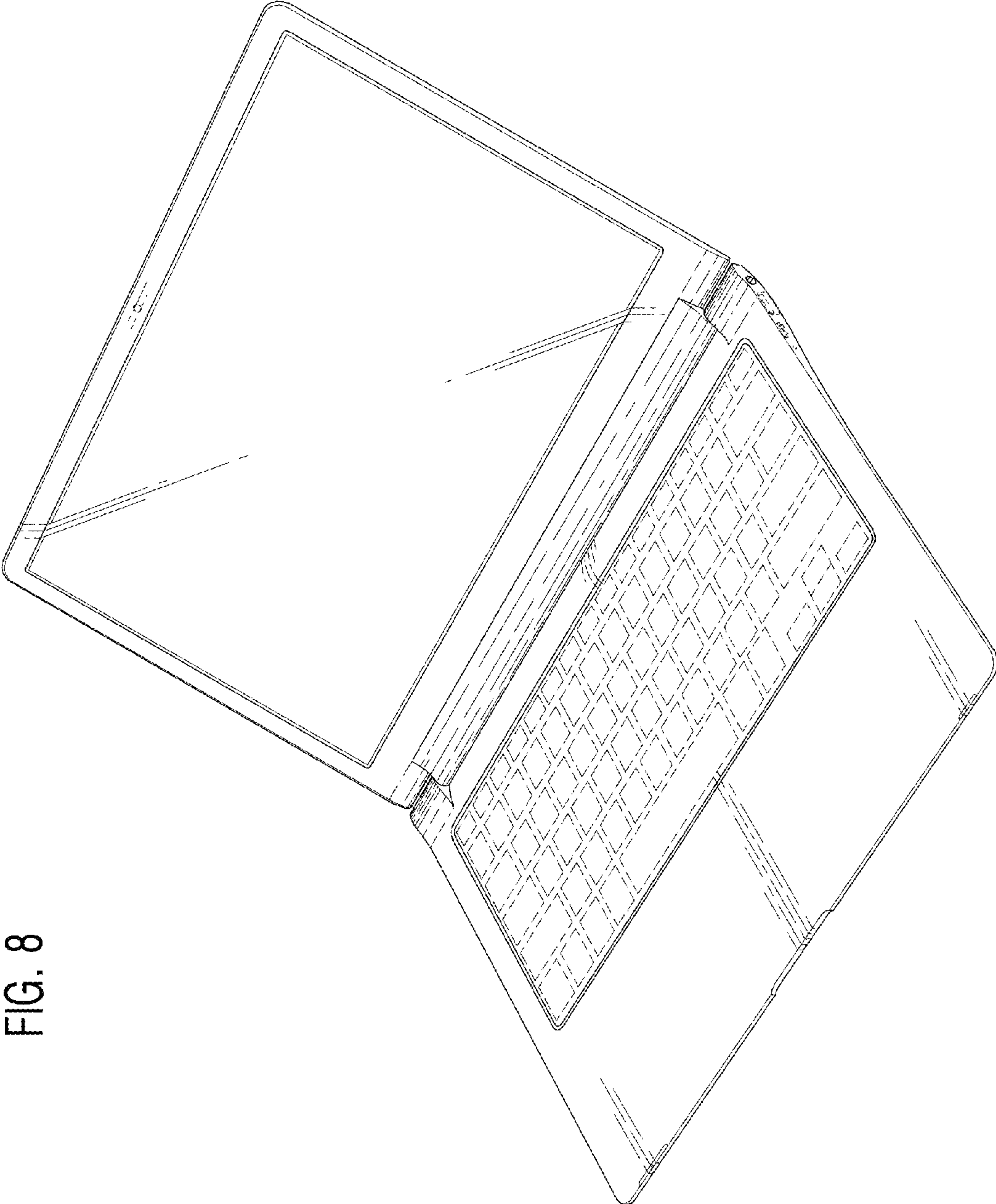


FIG. 8