

US00D691991S

(12) **United States Design Patent**  
**Mohan**

(10) **Patent No.:** **US D691,991 S**  
(45) **Date of Patent:** **\*\* Oct. 22, 2013**

- (54) **TETHERING ACCESSORY FOR A MOBILE DIGITAL DEVICE**
- (71) Applicant: **Seal Trademarks Pty Ltd**, Queensland (AU)
- (72) Inventor: **James Mohan**, Baltimore, MD (US)
- (73) Assignee: **Dakin, Inc.**, Hood River, OR (US)
- (\*\*) Term: **14 Years**
- (21) Appl. No.: **29/436,866**
- (22) Filed: **Nov. 9, 2012**
- (51) **LOC (9) Cl.** ..... **14-03**
- (52) **U.S. Cl.**  
USPC ..... **D14/250**
- (58) **Field of Classification Search**  
USPC ..... D14/250–253, 440, 203.3–203.7, 217, D14/496, 248, 238.1, 240, 447, 341–347, D14/444, 138 AA, 138 G; D13/103, D13/107–108, 119; D3/201, 218, 247, 269, D3/273, 301, 303; 248/309.1, 371, 176.3, 248/668; 361/679.56, 679.3, 679.25, 816; 379/426, 433.11, 455; 455/575.1, 455/575.8; 206/305, 320; 320/108, 115; 429/96; 220/4.02  
See application file for complete search history.

(56) **References Cited**

**U.S. PATENT DOCUMENTS**

3,193,842	A	7/1965	Bell	
D203,101	S *	12/1965	Holder	D3/218
4,420,104	A *	12/1983	Dilenno	224/250
D279,342	S *	6/1985	Crawford	D6/466
4,925,149	A	5/1990	DiFrancesca et al.	
D308,870	S *	6/1990	Rioux, Jr.	D14/251
D317,157	S *	5/1991	Jondelius	D14/253
D317,451	S *	6/1991	Corzo	D14/217
D364,270	S *	11/1995	Kellerman	D3/218

5,648,757	A	7/1997	Vernace et al.	
D435,541	S *	12/2000	Kataoka et al.	D14/217
6,311,335	B1	11/2001	Uchida	
6,339,846	B2	1/2002	Uchida	
D467,069	S *	12/2002	TenHoeve	D3/218
6,839,915	B2	1/2005	Yoshimura	
D518,950	S *	4/2006	Condiff	D3/218
D521,232	S *	5/2006	Andre et al.	D3/218
D527,723	S *	9/2006	Andre et al.	D14/217
D533,994	S *	12/2006	Hussaini et al.	D3/218
D542,028	S *	5/2007	Yang et al.	D3/218
D550,953	S	9/2007	Yang et al.	
7,380,657	B2	6/2008	Yeh et al.	
D617,093	S *	6/2010	Pedersen et al.	D3/218
D619,355	S *	7/2010	Pedersen et al.	D3/218
D623,405	S *	9/2010	Nelson	D3/218
D645,085	S *	9/2011	Jung	D19/65
D663,735	S *	7/2012	Musselman	D14/447
D669,462	S *	10/2012	Avrahami et al.	D14/253

(Continued)

*Primary Examiner* — Carla Jobe Wright

(74) *Attorney, Agent, or Firm* — Nixon & Vanderhye P.C.

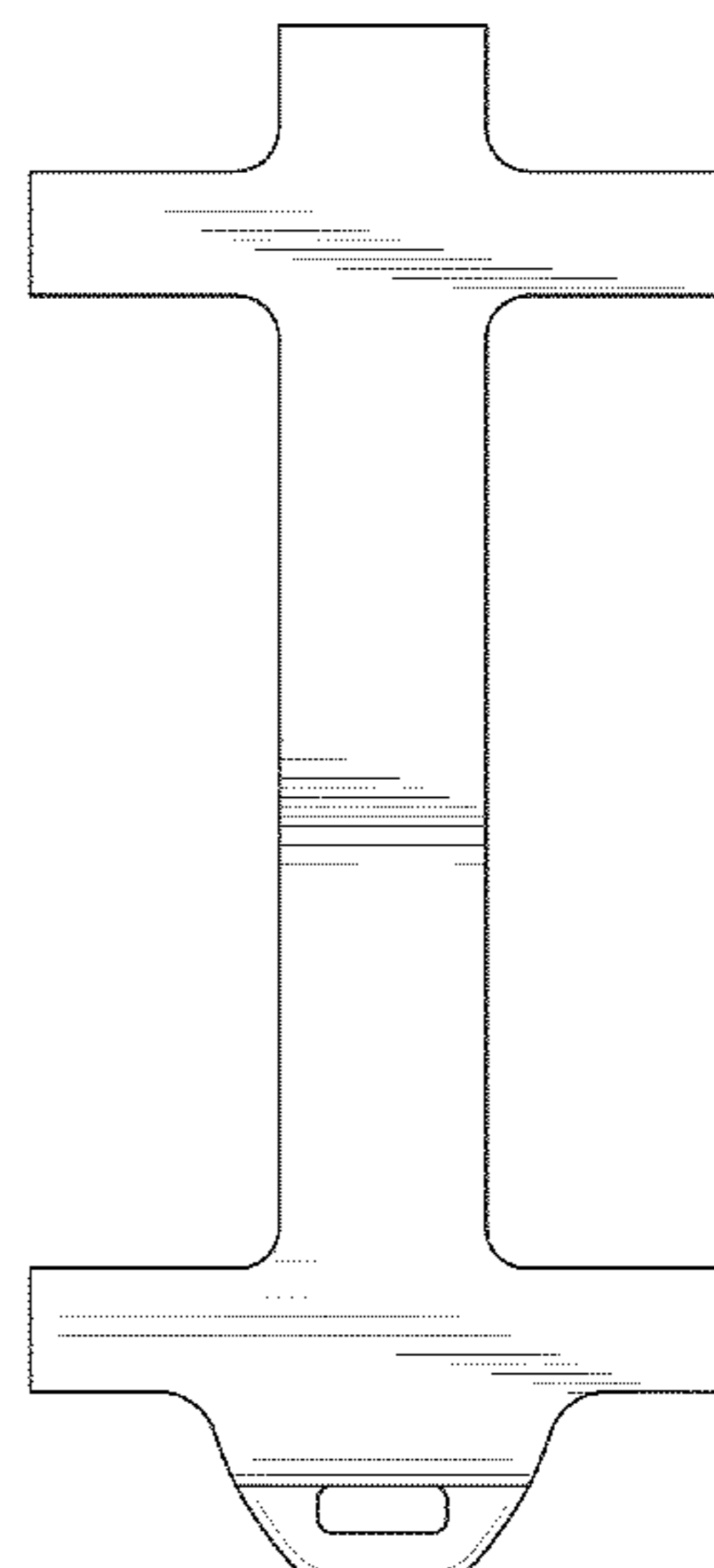
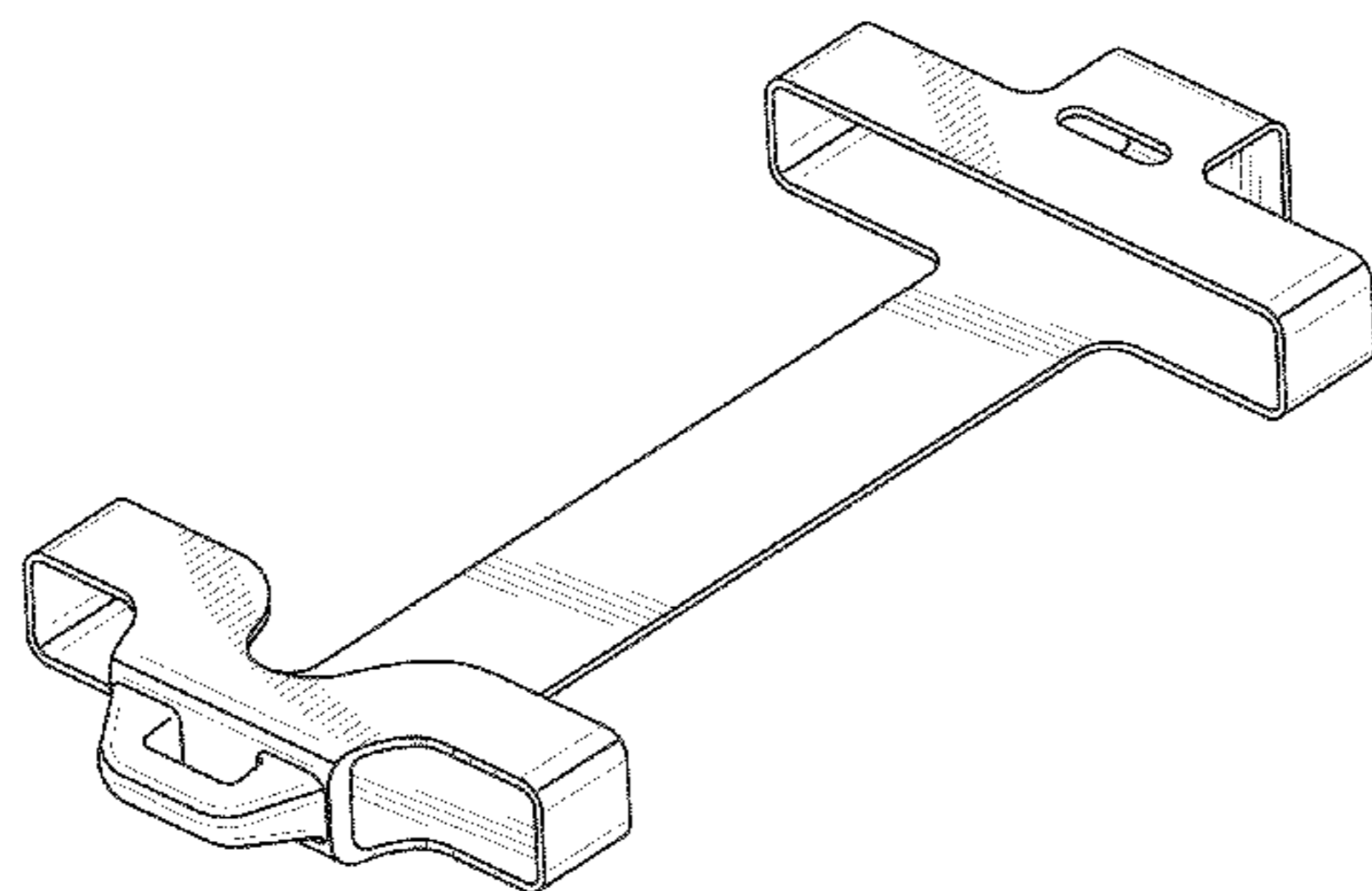
(57) **CLAIM**

The ornamental design for a “tethering accessory for a mobile digital device,” as shown and described.

**DESCRIPTION**

FIG. 1 is a bottom perspective view of a tethering accessory for a mobile digital device, showing our new design;  
 FIG. 2 is a top perspective view thereof;  
 FIG. 3 is a bottom perspective view thereof, shown in an environment of use;  
 FIG. 4 is a bottom plan view thereof;  
 FIG. 5 is a top plan view thereof;  
 FIG. 6 is a right side elevation view thereof, the left side elevation view being a mirror image thereof;  
 FIG. 7 is a front elevation view thereof; and,  
 FIG. 8 is a rear elevation view thereof.  
 The dashed lines in the drawings show elements in the environment of the design but do not form a part of the design.

**1 Claim, 5 Drawing Sheets**



# US D691,991 S

Page 2

---

(56)

## References Cited

### U.S. PATENT DOCUMENTS

D679,693 S \* 4/2013 Rashid ..... D14/250  
2003/0151890 A1\* 8/2003 Huang et al. .... 361/683

2007/0235493 A1 10/2007 Fortson  
2011/0277206 A1 11/2011 Sokolowski  
2012/0060260 A1 3/2012 Kochling  
2012/0285847 A1\* 11/2012 Olsson et al. .... 206/320

\* cited by examiner

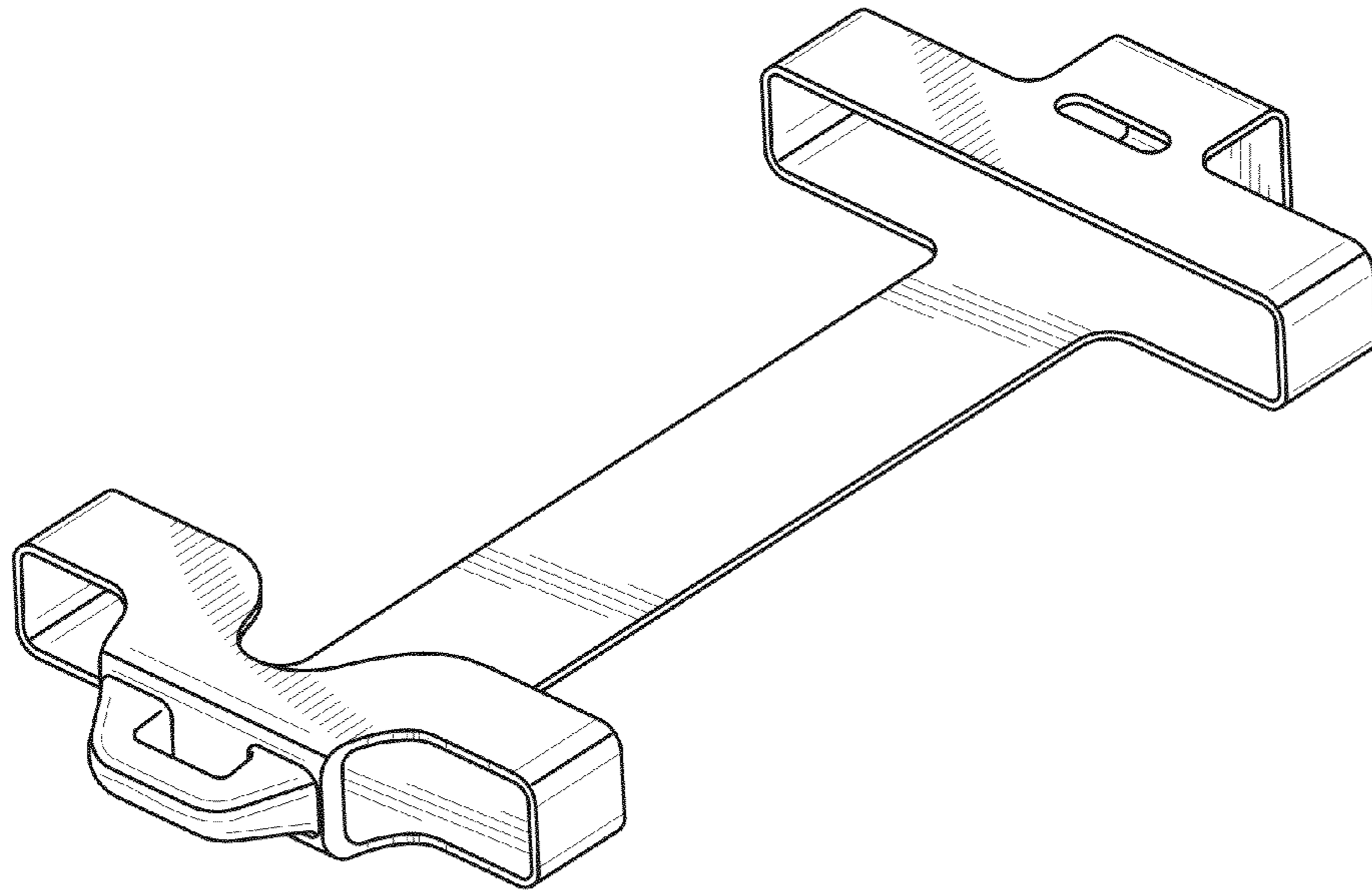


FIG. 1

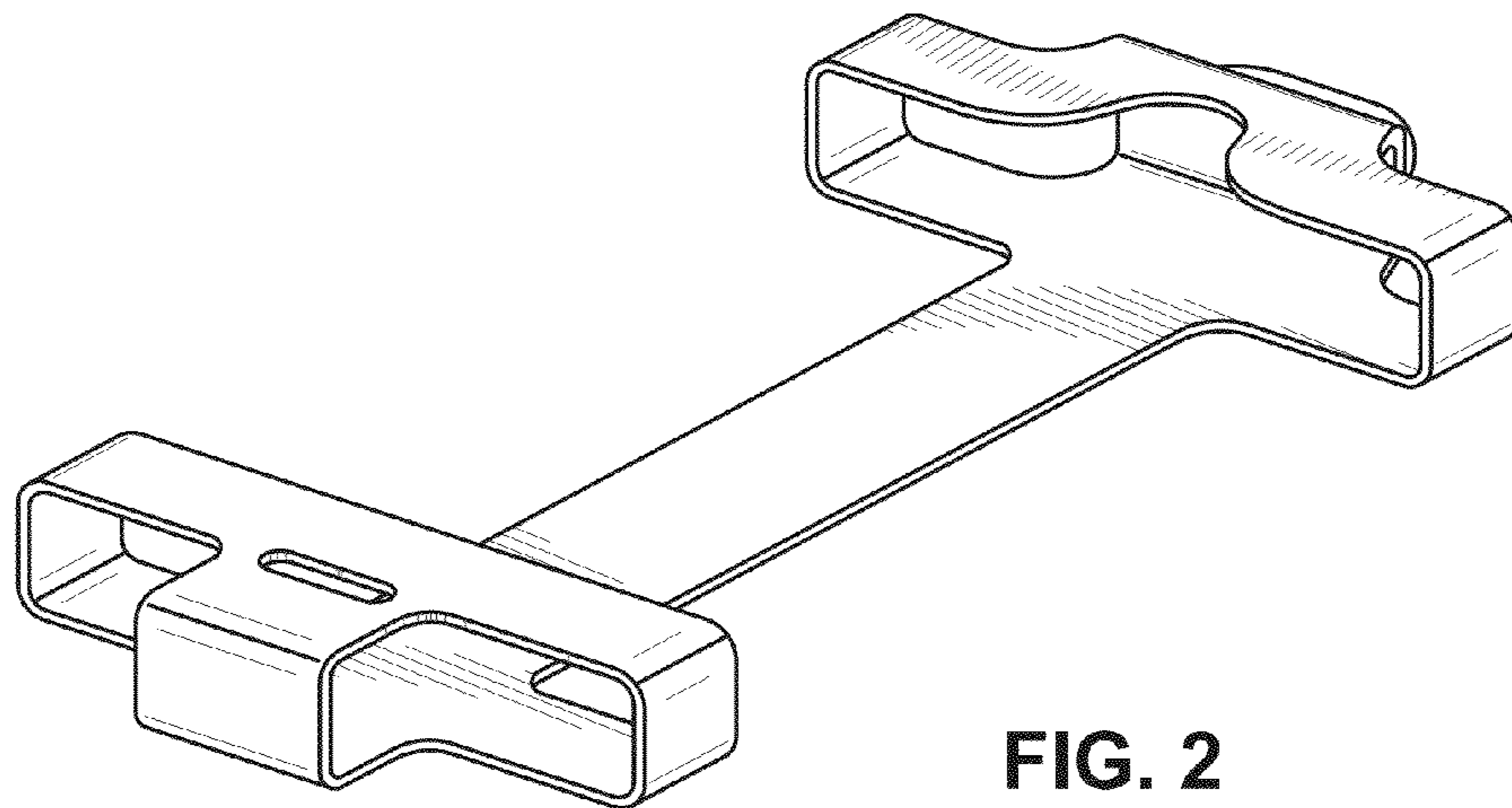


FIG. 2

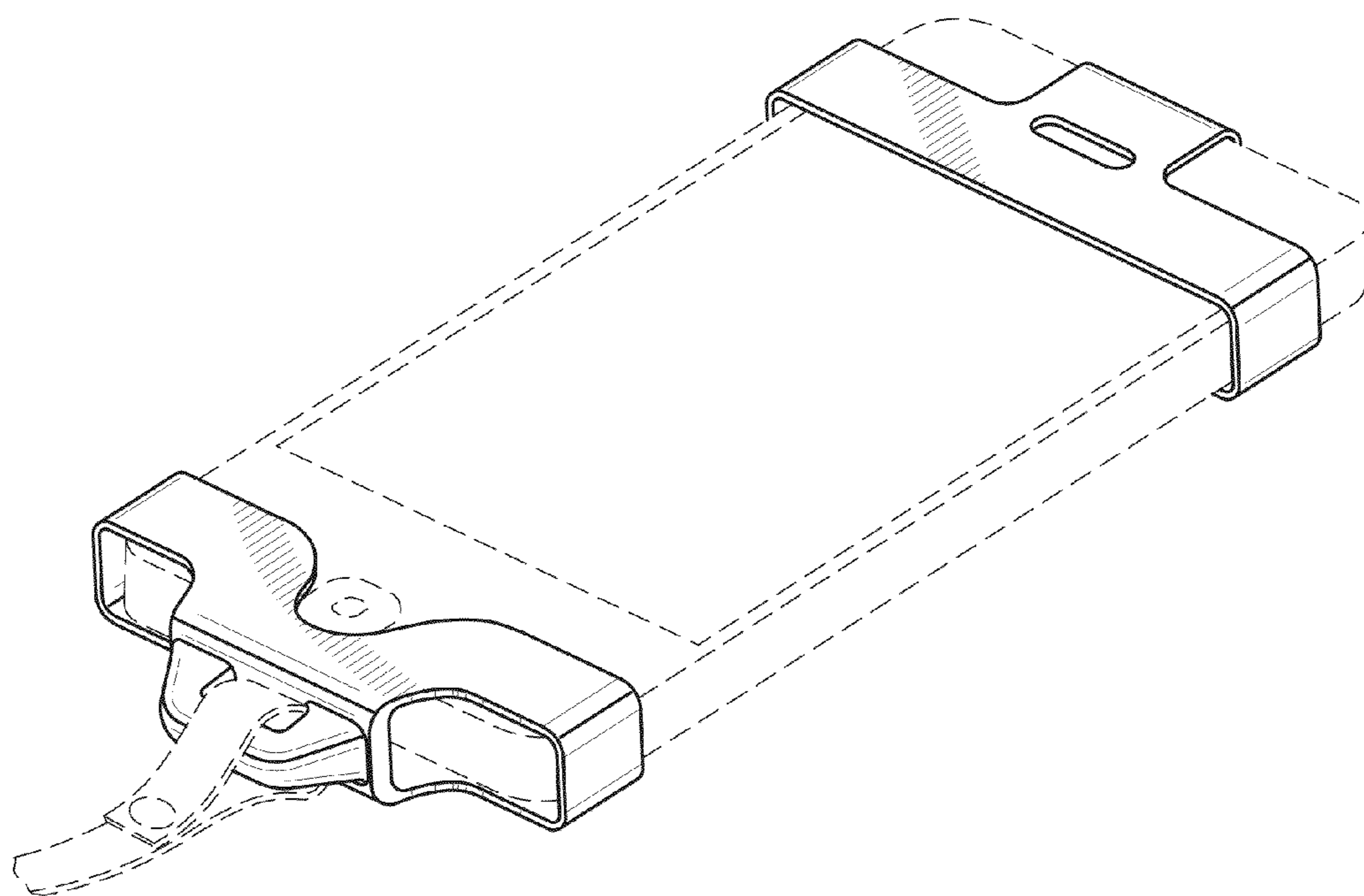


FIG. 3

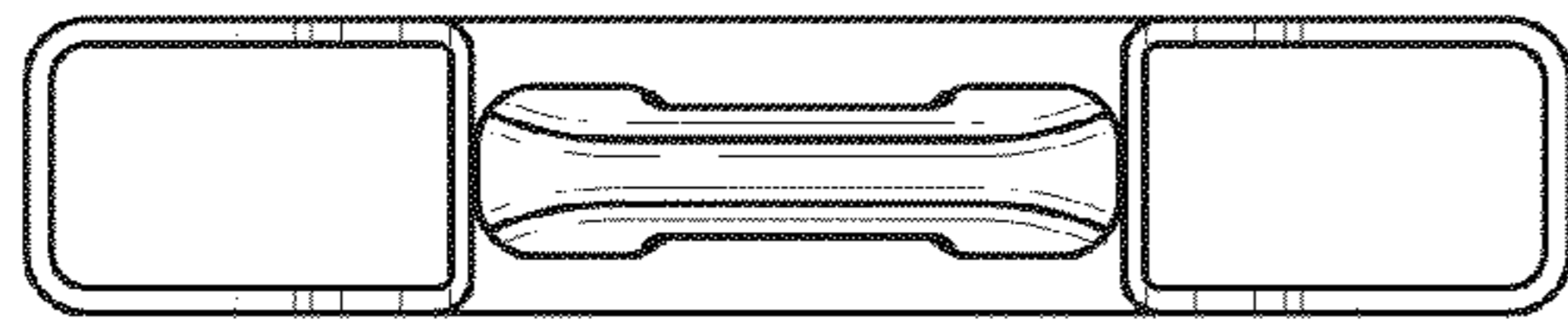


FIG. 4

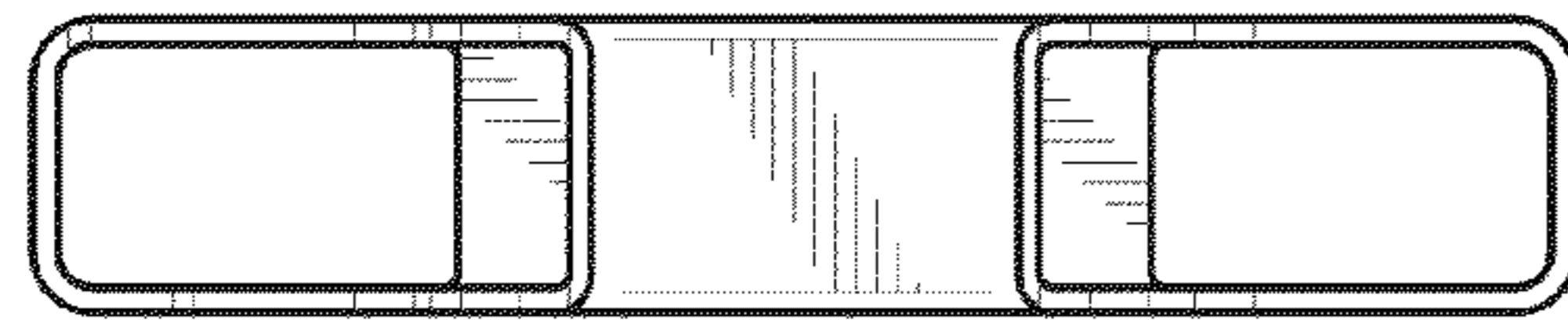


FIG. 5

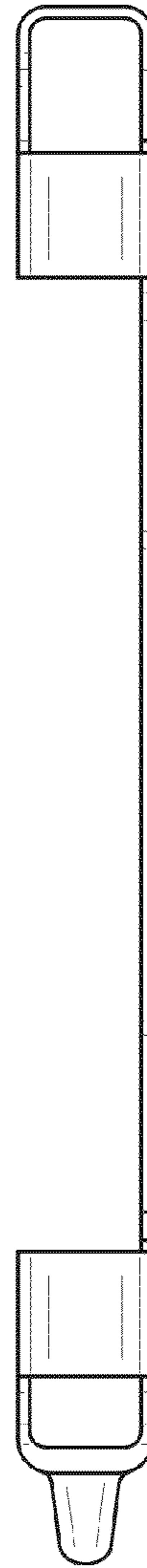


FIG. 6



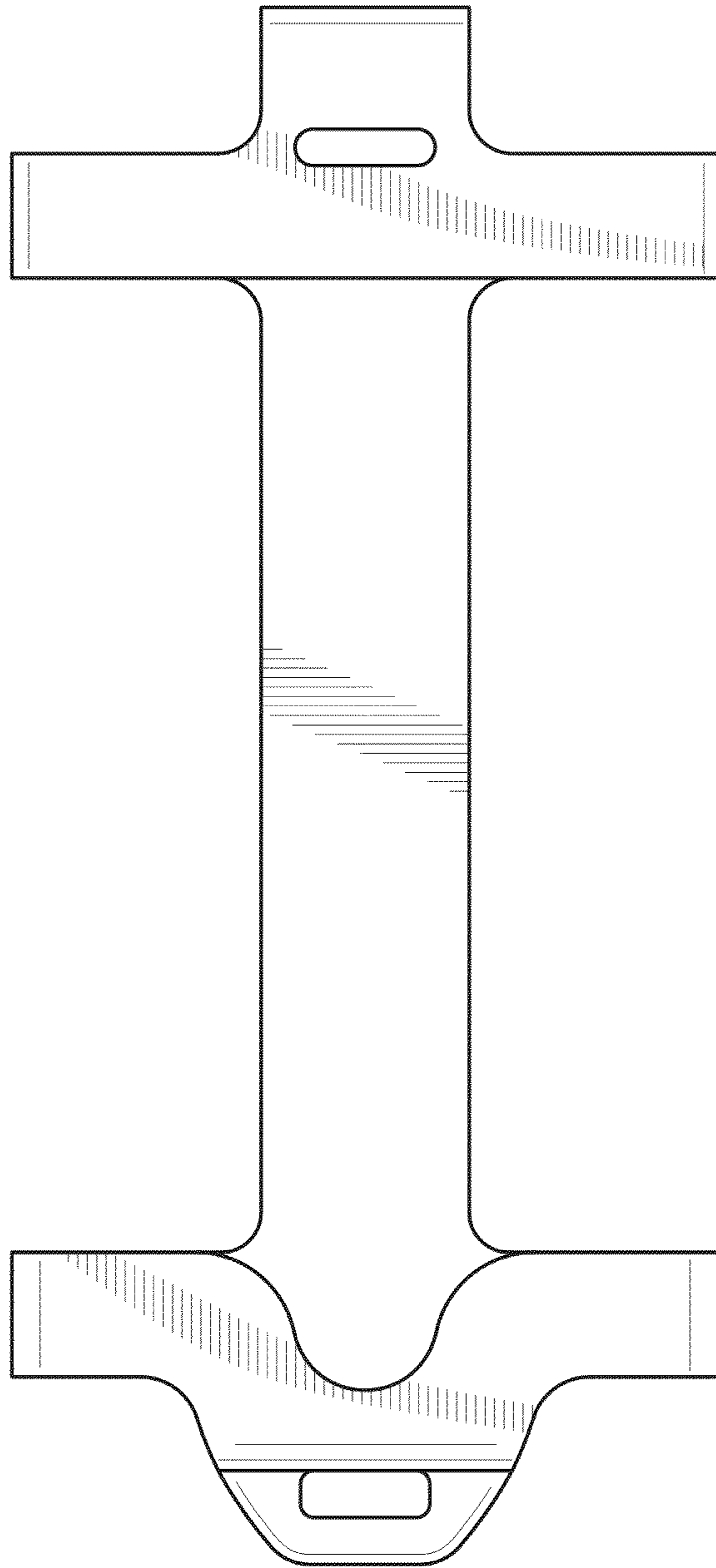
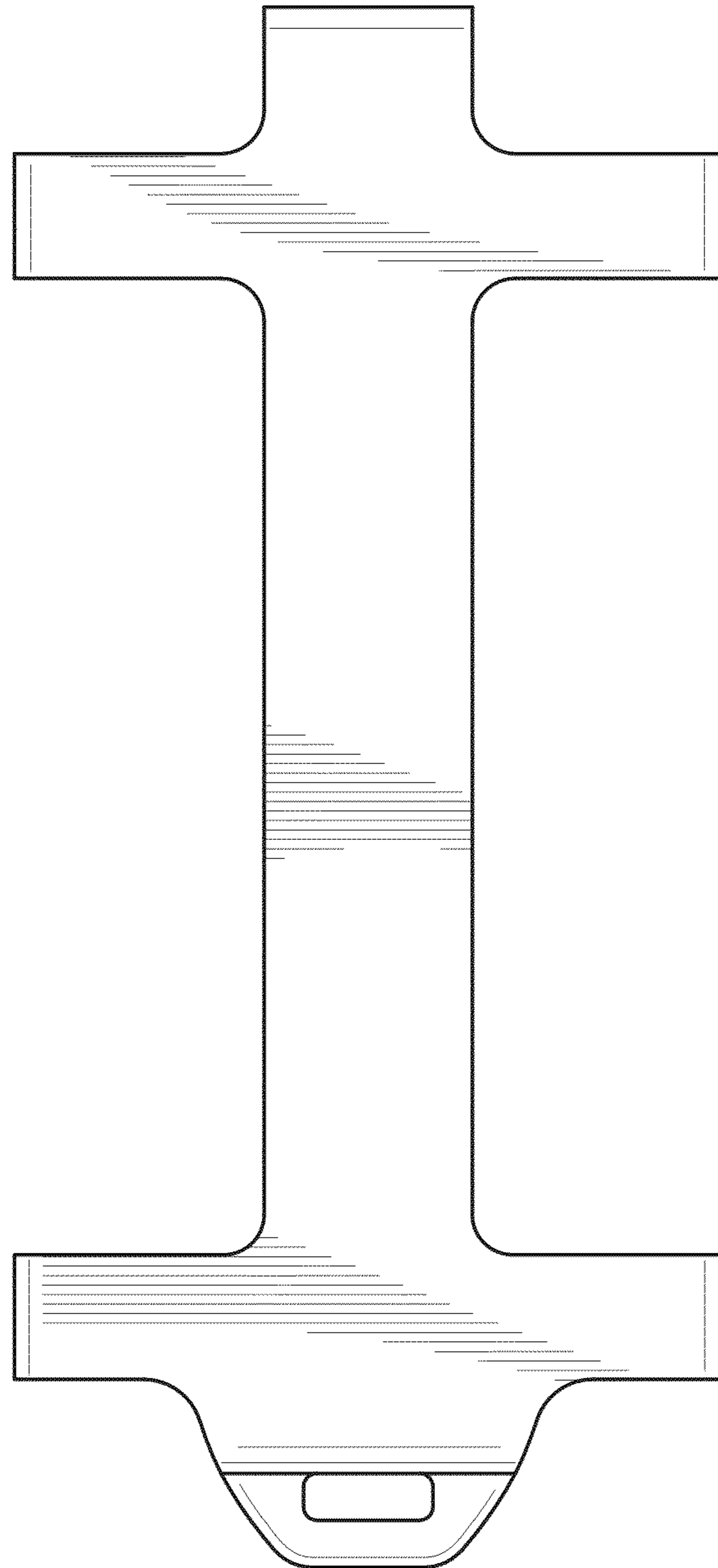


FIG. 7



**FIG. 8**