



US00D691984S

(12) **United States Design Patent**
Wang

(10) **Patent No.:** **US D691,984 S**
(45) **Date of Patent:** **** Oct. 22, 2013**

(54) **HEADSET**

(71) Applicant: **Datastore Technology Corp., New Taipei (TW)**

(72) Inventor: **Chia-Jen Wang, New Taipei (TW)**

(73) Assignee: **Datastore Technology Corp., New Taipei (TW)**

(**) Term: **14 Years**

(21) Appl. No.: **29/433,471**

(22) Filed: **Oct. 1, 2012**

(30) **Foreign Application Priority Data**

Apr. 24, 2012 (TW) 101302239

(51) **LOC (9) Cl.** **14-01**

(52) **U.S. Cl.**
USPC **D14/205**

(58) **Field of Classification Search**

USPC D14/205, 206; D29/112; 2/209;
181/129, 130, 135; 379/430, 431;
381/380, 381, 378, 379; 455/90.3,
455/575.1

See application file for complete search history.

(56) **References Cited**

U.S. PATENT DOCUMENTS

D228,352 S * 9/1973 Itagaki D14/205
D292,205 S * 10/1987 Kikutani D14/205
D345,361 S * 3/1994 Grasso D14/205
D379,817 S * 6/1997 Lin D14/223
D405,449 S * 2/1999 Nakamura et al. D14/205
6,081,604 A * 6/2000 Hikichi et al. 381/371
D468,723 S * 1/2003 Pham et al. D14/205
D476,639 S * 7/2003 Bergeron et al. D14/205
6,629,579 B1 * 10/2003 Hasegawa 181/129

6,654,966 B2 * 12/2003 Rolla 2/209
7,072,483 B2 * 7/2006 Lenhard-Backhaus 381/383
D552,077 S * 10/2007 Brunner et al. D14/205
D563,382 S * 3/2008 Wikel D14/205
D573,581 S * 7/2008 Gondo et al. D14/205
D625,705 S * 10/2010 Oho et al. D14/205
D632,668 S * 2/2011 Brunner et al. D14/205
D634,732 S * 3/2011 Kondo et al. D14/205
D657,344 S * 4/2012 Brunner et al. D14/205
D658,156 S * 4/2012 Olodort et al. D14/205
D660,823 S * 5/2012 Hardi et al. D14/205
D660,824 S * 5/2012 Hardi et al. D14/205
D662,080 S * 6/2012 Carr et al. D14/205
D663,716 S * 7/2012 Hardi et al. D14/205
D673,136 S * 12/2012 Kelly et al. D14/205
D673,518 S * 1/2013 Tan D14/205
D673,520 S * 1/2013 Tan D14/205
D675,595 S * 2/2013 Cho et al. D14/205
D677,647 S * 3/2013 Lee et al. D14/205
D683,329 S * 5/2013 Hagelin D14/205

* cited by examiner

Primary Examiner — Paula Greene

(74) Attorney, Agent, or Firm — Leong C. Lei

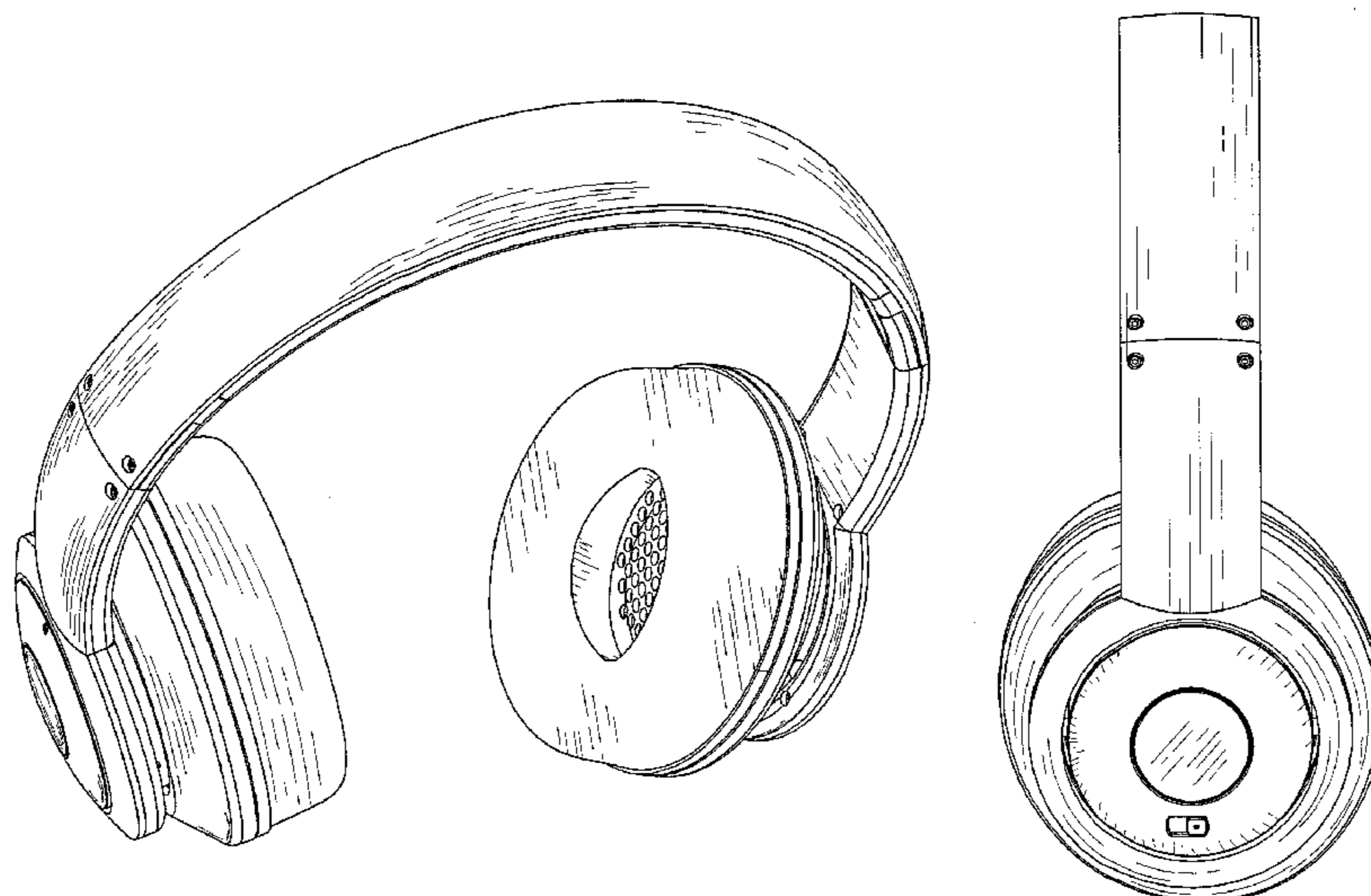
(57) **CLAIM**

The ornamental design for a headset, as shown and described.

DESCRIPTION

FIG. 1 is a perspective view of a headset showing my new design, wherein the opposite front face of the ear cup is a mirror image of the front face of the ear cup;
FIG. 2 is a front elevational view thereof;
FIG. 3 is a rear elevational view thereof;
FIG. 4 is a left elevational view thereof;
FIG. 5 is a right elevational view thereof;
FIG. 6 is a top plan view thereof;
FIG. 7 is a bottom plan view thereof; and,
FIG. 8 is another perspective view thereof, showing the status while in use.

1 Claim, 7 Drawing Sheets



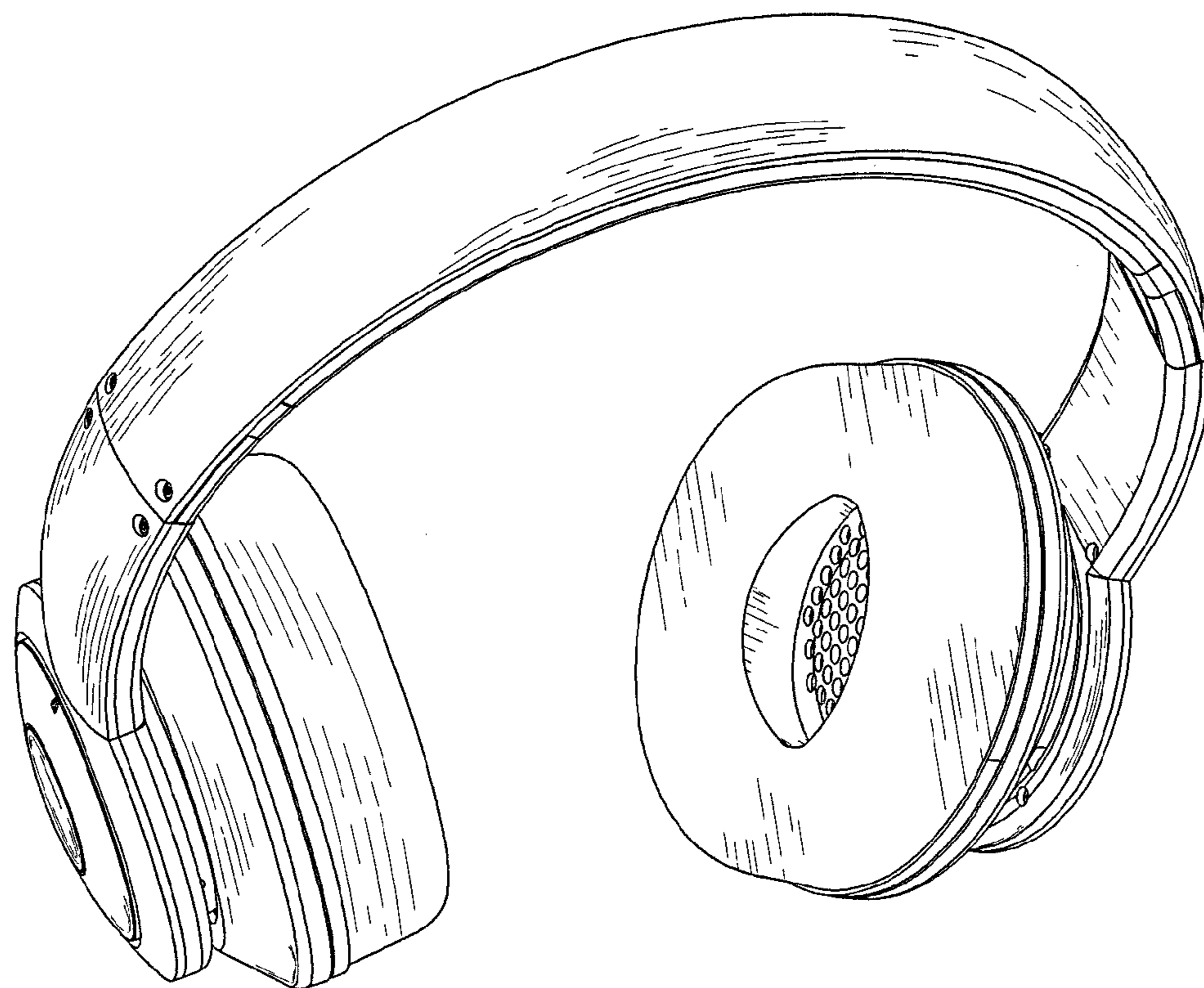


FIG. 1

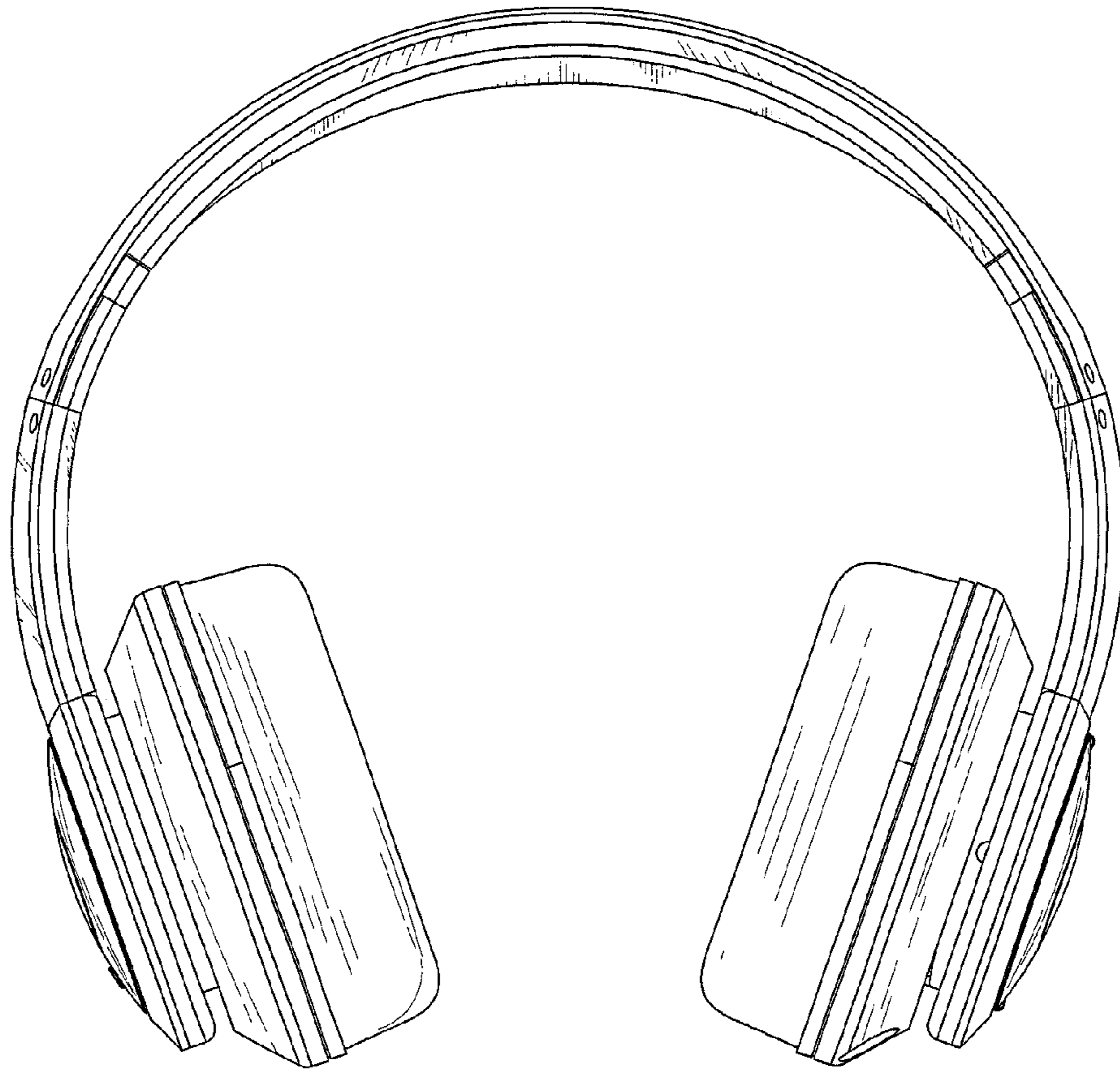


FIG.2

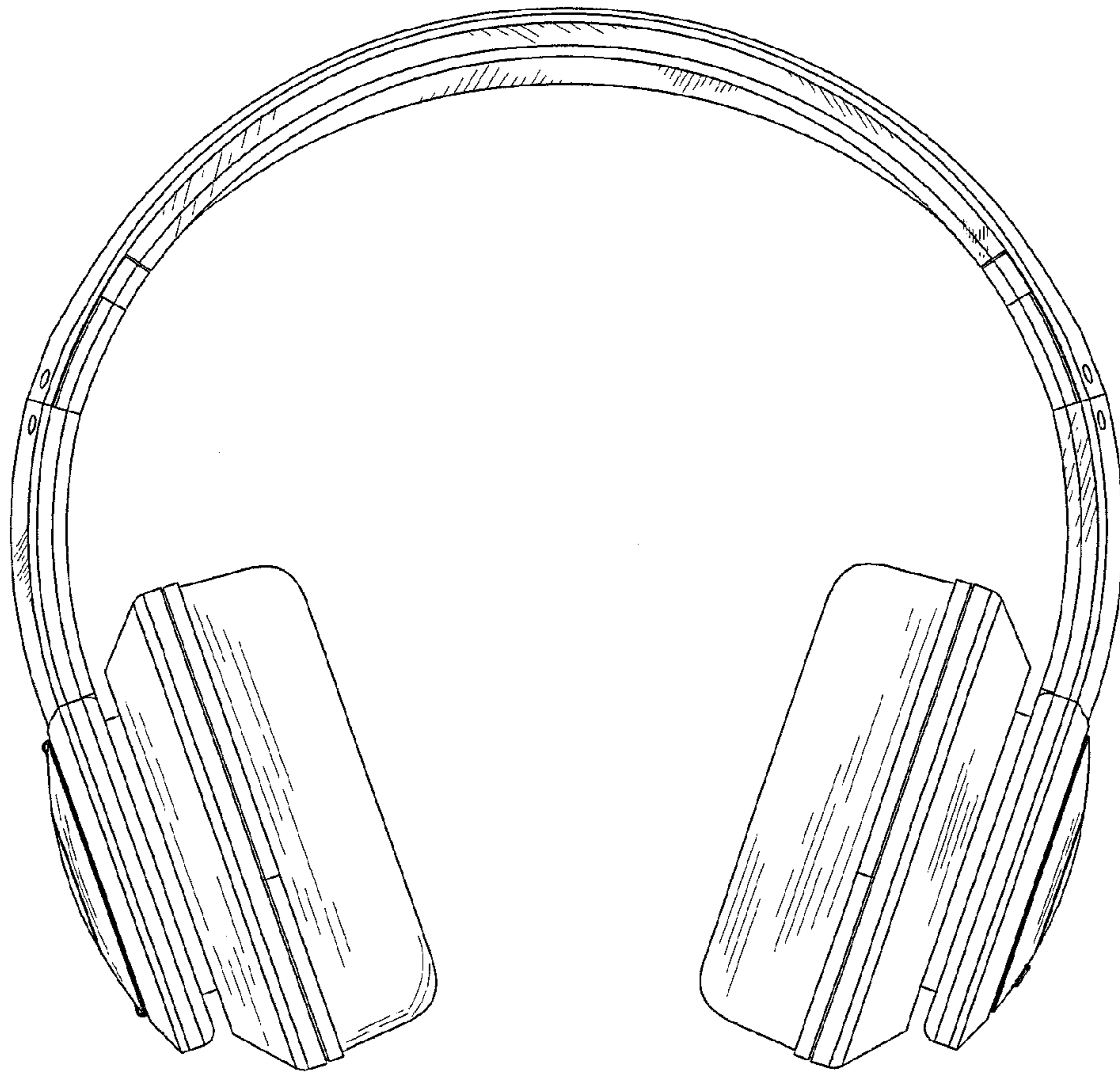


FIG.3

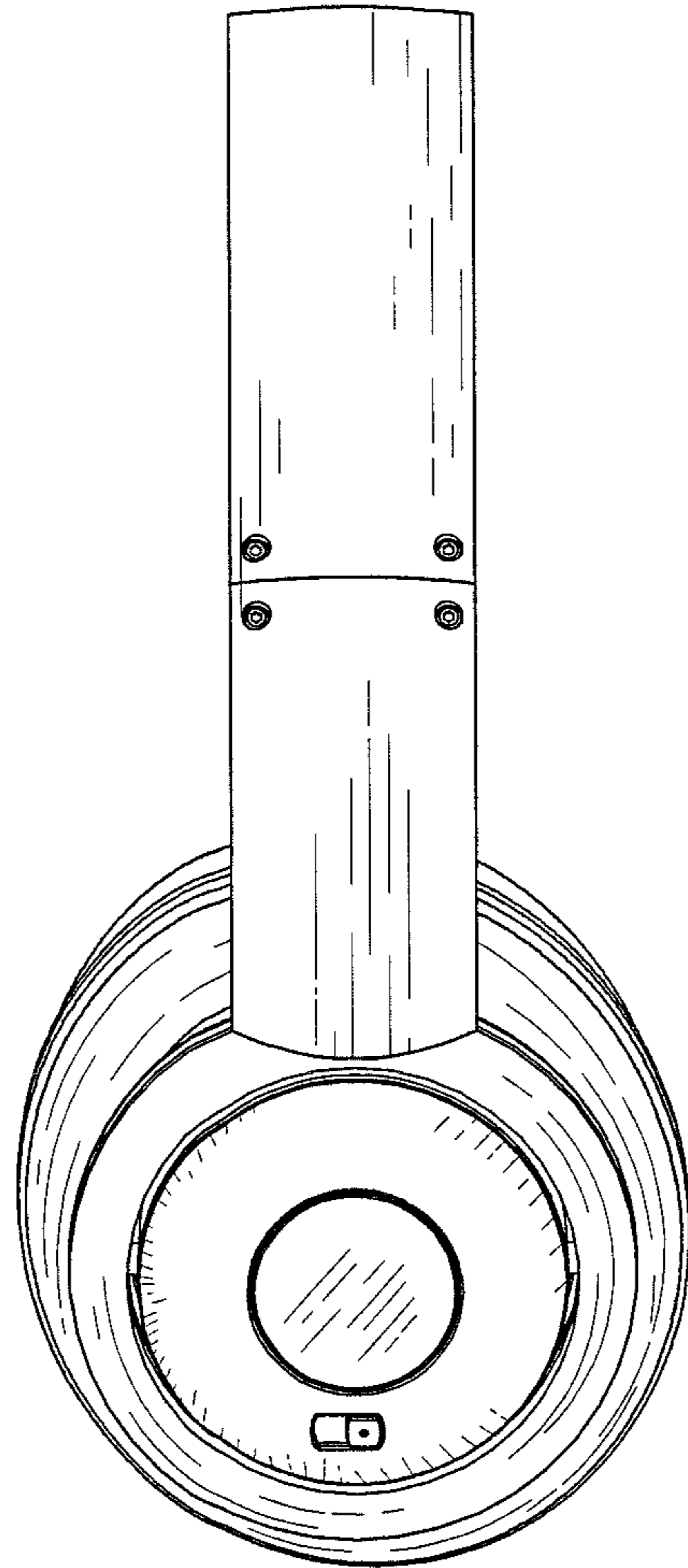


FIG.4

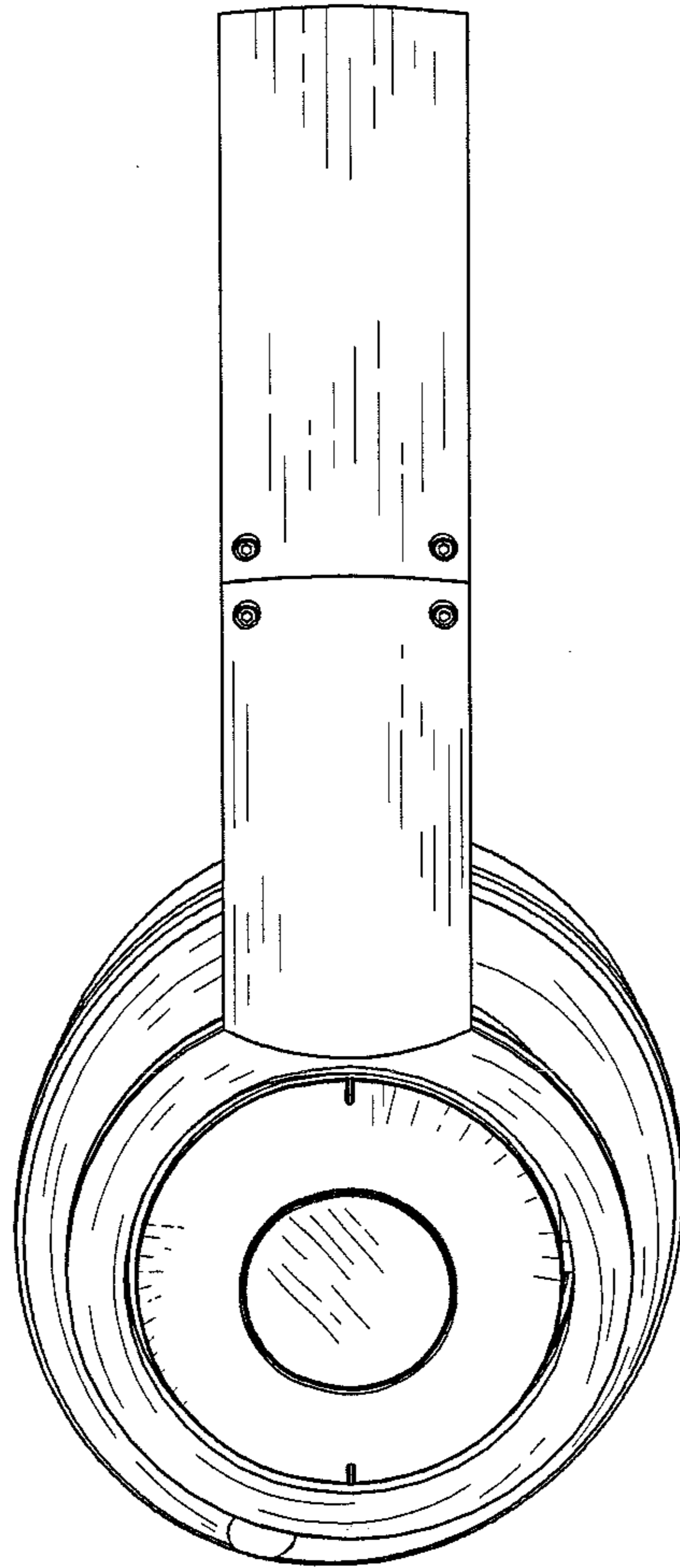


FIG.5

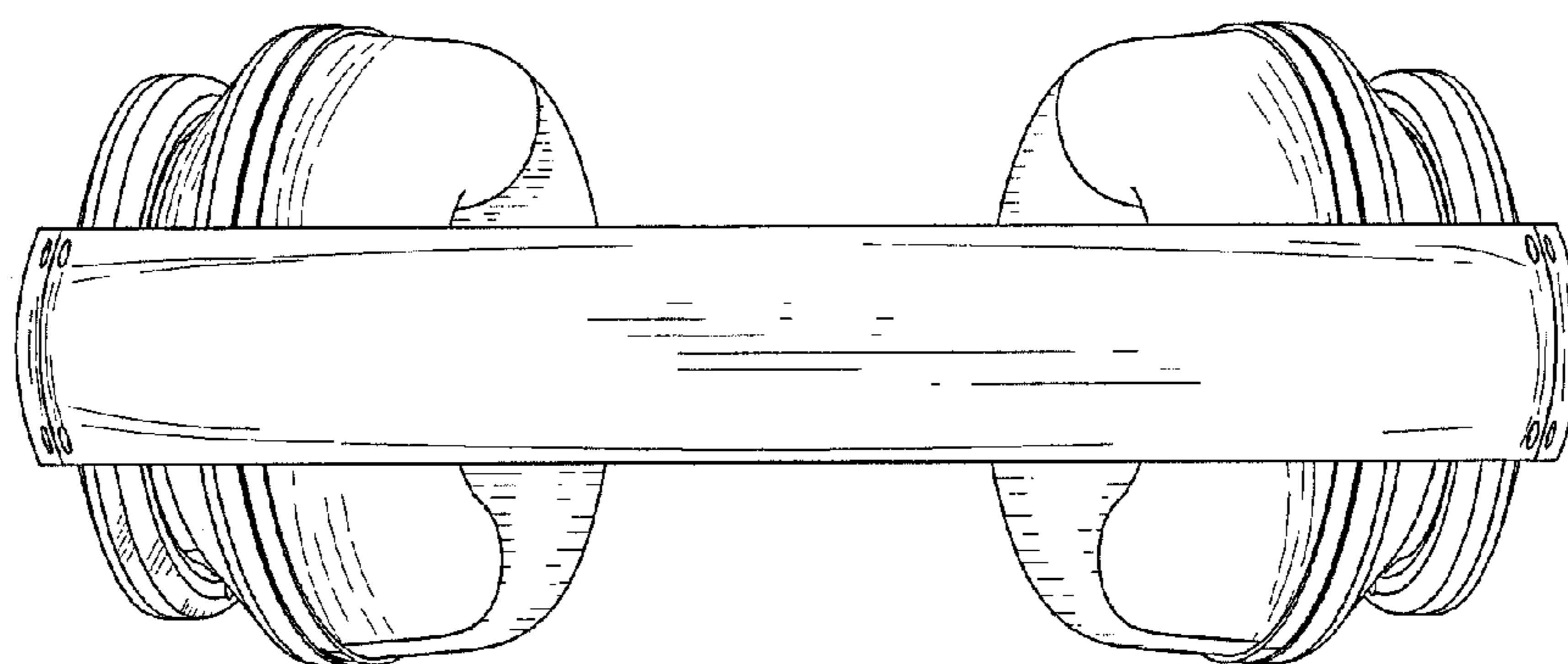


FIG. 6

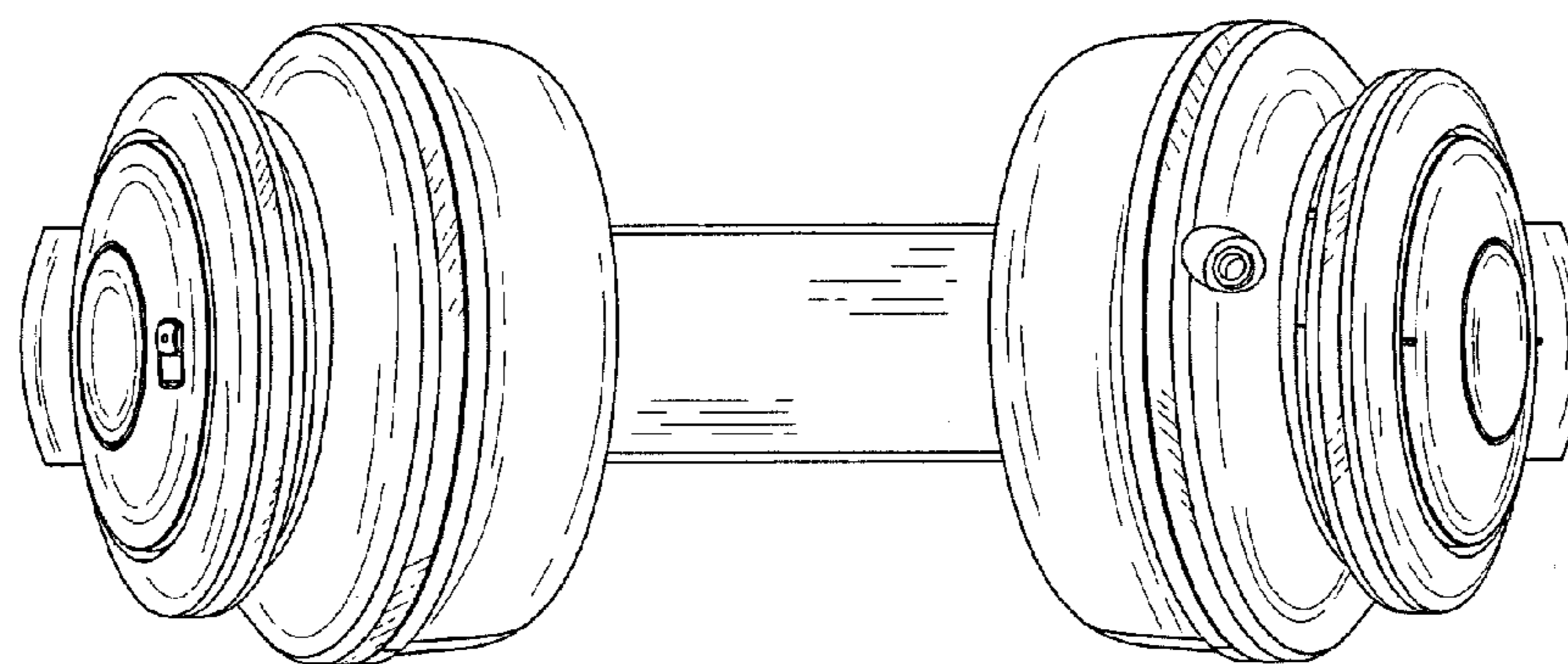


FIG. 7

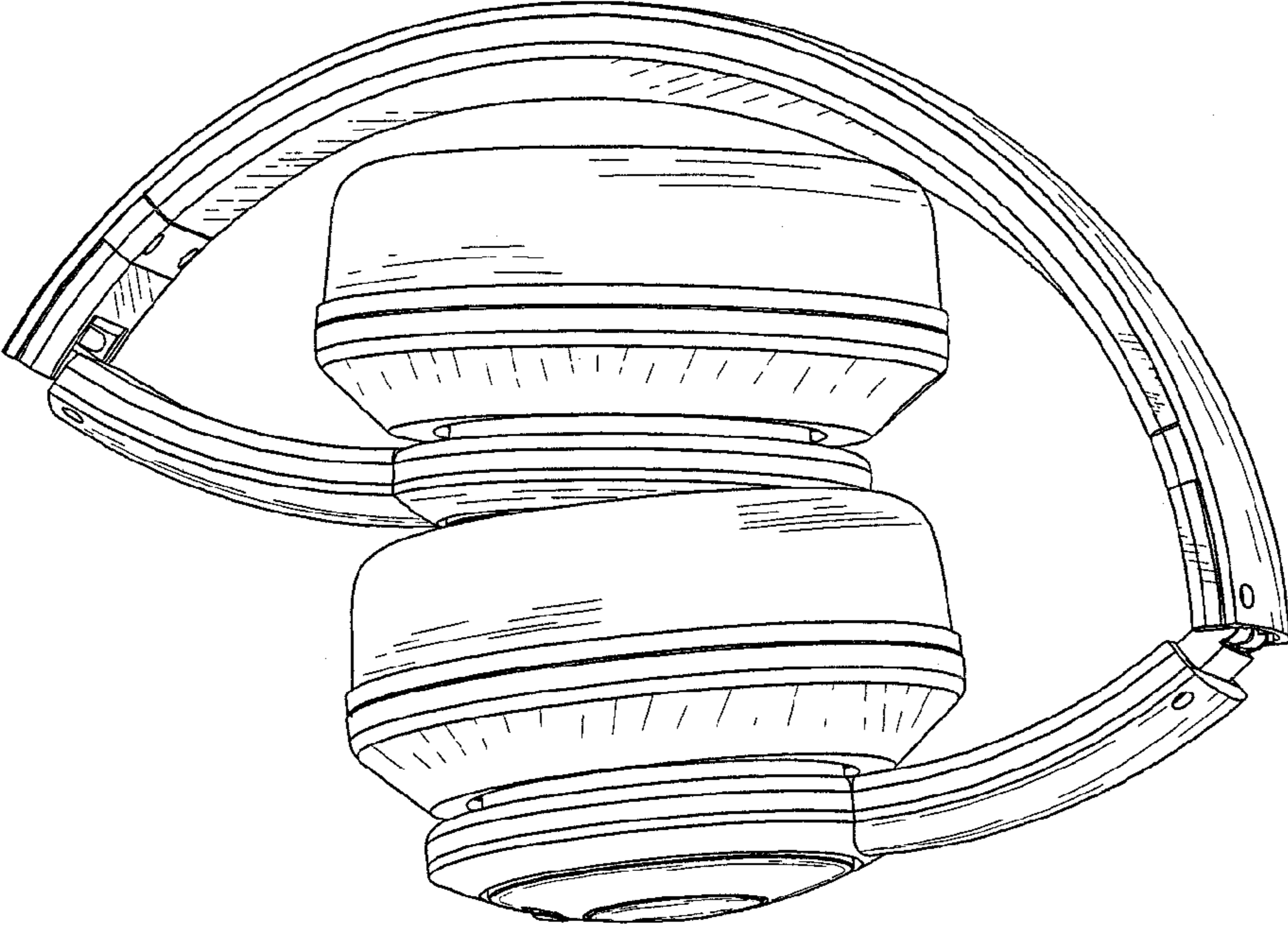


FIG.8