



US00D691978S

(12) **United States Design Patent**
Han et al.

(10) **Patent No.:** **US D691,978 S**
(45) **Date of Patent:** **** Oct. 22, 2013**

(54) **TELEVISION RECEIVER**

(56) **References Cited**

(71) Applicant: **LG Electronics Inc.**, Seoul (KR)

U.S. PATENT DOCUMENTS

(72) Inventors: **Kyongtae Han**, Gyeonggi-do (KR);
Hyoungtrak Son, Seoul (KR); **Junki Kim**, Seoul (KR)

| | | | |
|--------------|---------|---------------------|---------|
| D584,702 S * | 1/2009 | Iinuma et al. | D14/126 |
| D605,150 S * | 12/2009 | Kim | D14/126 |
| D645,431 S * | 9/2011 | Boo et al. | D14/126 |
| D658,140 S * | 4/2012 | Hwangbo et al. | D14/126 |
| D658,613 S * | 5/2012 | Lee et al. | D14/126 |
| D661,271 S * | 6/2012 | Hwangbo et al. | D14/126 |
| D670,666 S * | 11/2012 | Wang | D14/126 |
| D670,667 S * | 11/2012 | Wang et al. | D14/126 |
| D674,763 S * | 1/2013 | Kim et al. | D14/126 |
| D675,174 S * | 1/2013 | Lee et al. | D14/126 |
| D676,006 S * | 2/2013 | Choi et al. | D14/126 |
| D676,816 S * | 2/2013 | Kim et al. | D14/126 |
| D684,945 S * | 6/2013 | Kang et al. | D14/126 |

(73) Assignee: **LG Electronics Inc.**, Seoul (KR)

(**) Term: **14 Years**

(21) Appl. No.: **29/440,451**

(22) Filed: **Dec. 21, 2012**

* cited by examiner

(30) **Foreign Application Priority Data**

Primary Examiner — Raphael Barkai

Jun. 25, 2012 (KR) 30-2012-0030958

(74) *Attorney, Agent, or Firm* — Morgan, Lewis & Bockius LLP

(51) **LOC (9) Cl.** **14-03**

(52) **U.S. Cl.**
USPC **D14/126**

(57) **CLAIM**

The ornamental design for a television receiver, as shown and described.

(58) **Field of Classification Search**

DESCRIPTION

USPC D14/125–134, 239, 371, 136, 374–377,
D14/440, 450, 448, 336, 342, 159; 312/7.2;
348/836, 838, 180, 184, 325, 739;
341/12; 248/917–924, 465; 345/104,
345/133, 156, 168, 87, 173; 720/605, 669,
720/600, 655; 369/99, 197; D21/329, 515,
D21/577, 622, 333, 433, 448, 452, 450,
D21/331; D6/477, 479, 300–310;
273/148 B; 446/484, 175, 356; D10/15,
D10/26

FIG. 1 is a perspective view of a television receiver showing our new design;
FIG. 2 is a front view thereof;
FIG. 3 is a rear view thereof;
FIG. 4 is a left side view thereof;
FIG. 5 is a right side view thereof;
FIG. 6 is a top plan view thereof; and,
FIG. 7 is a bottom plan view thereof.

See application file for complete search history.

1 Claim, 6 Drawing Sheets

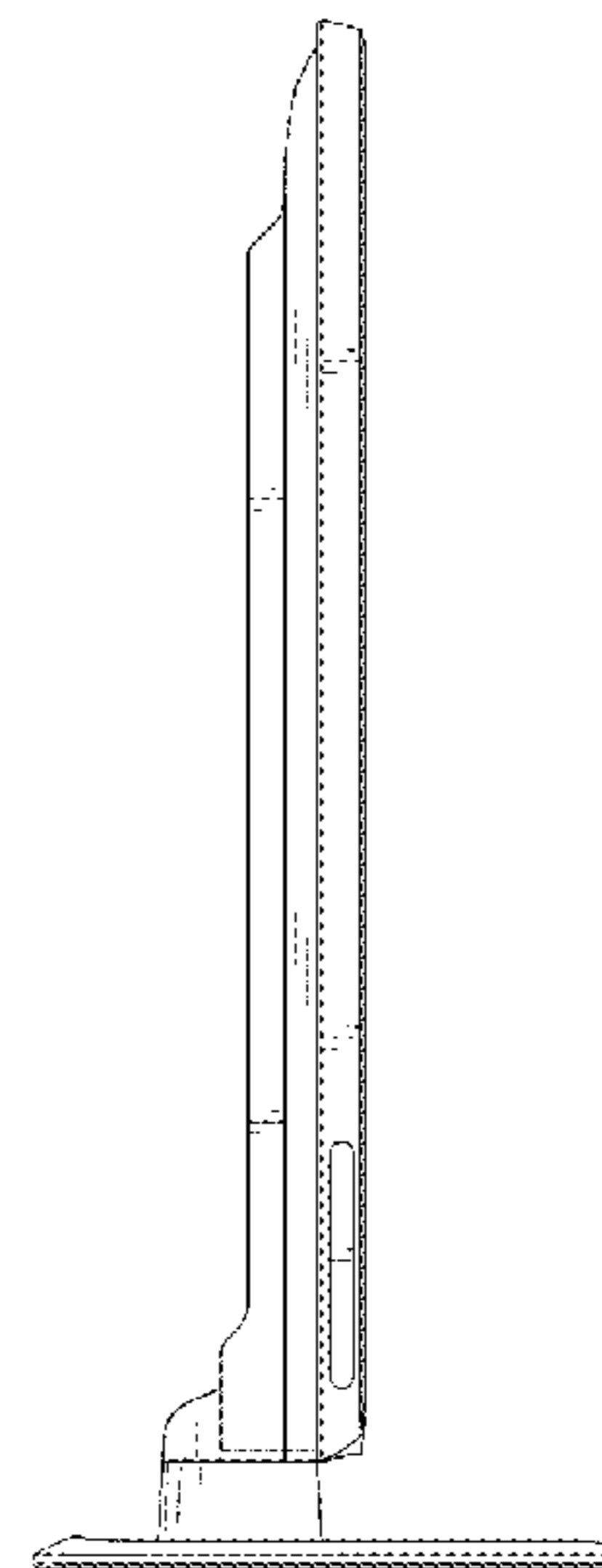
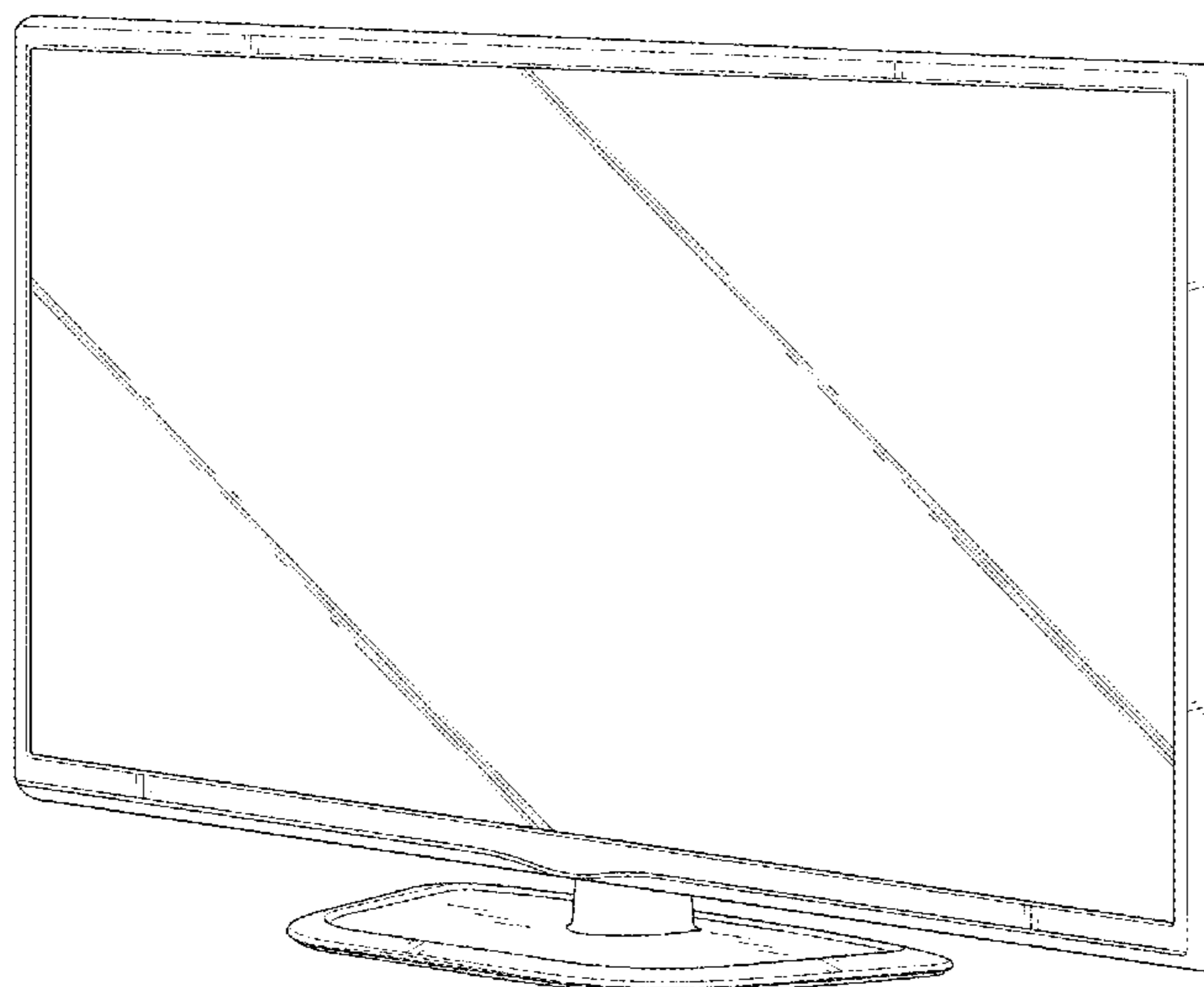


FIG. 1

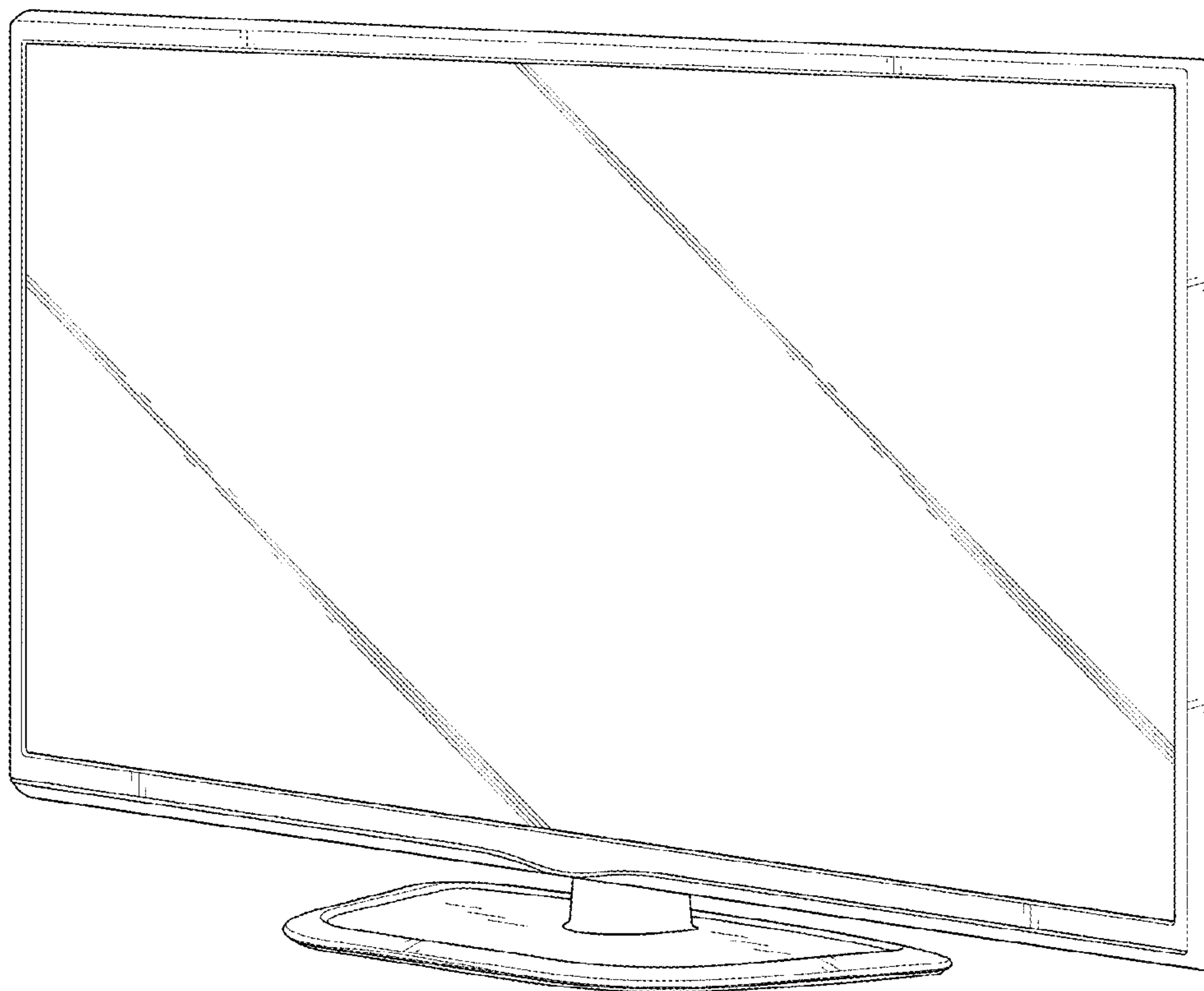


FIG. 2

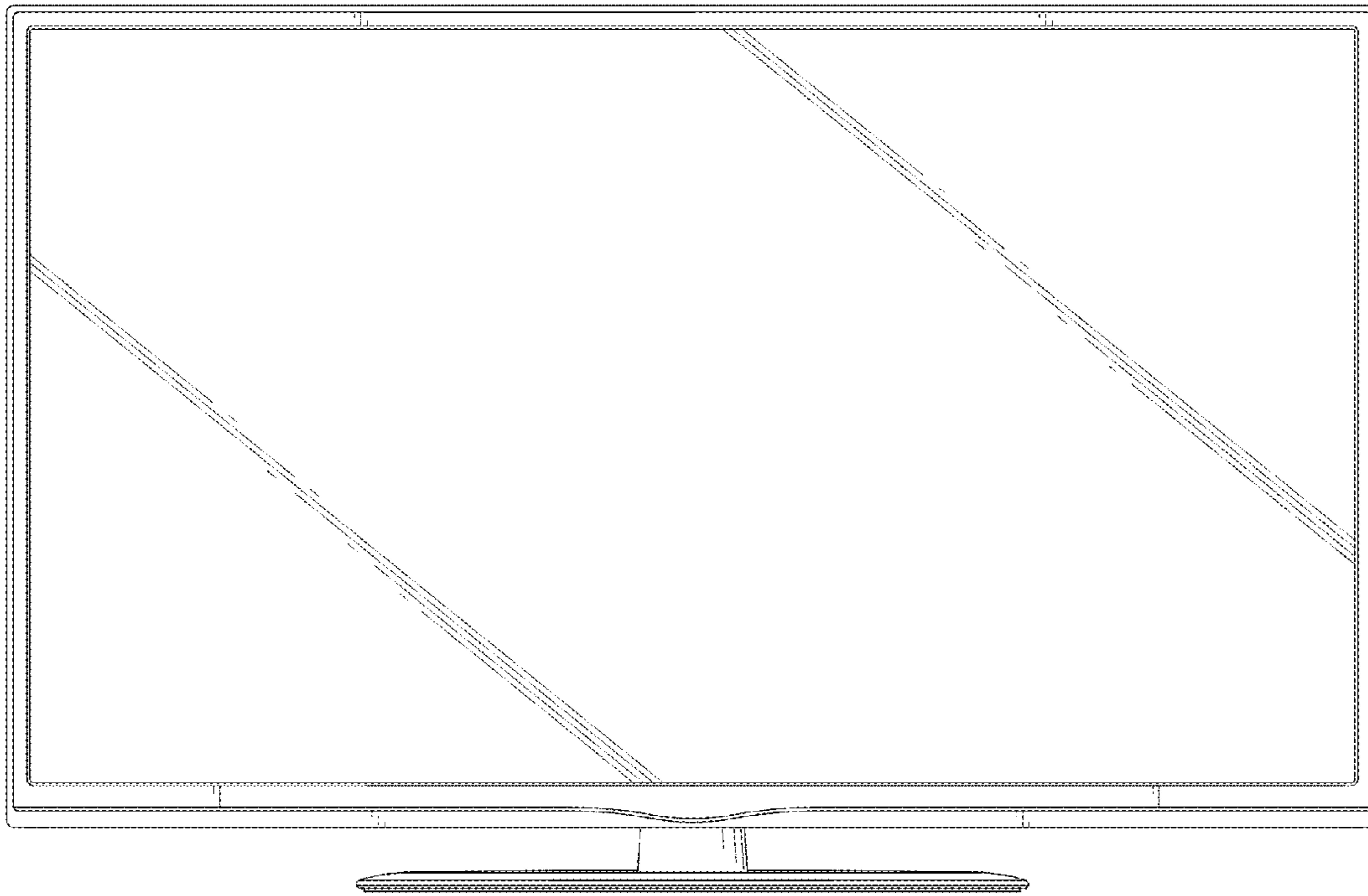


FIG. 3

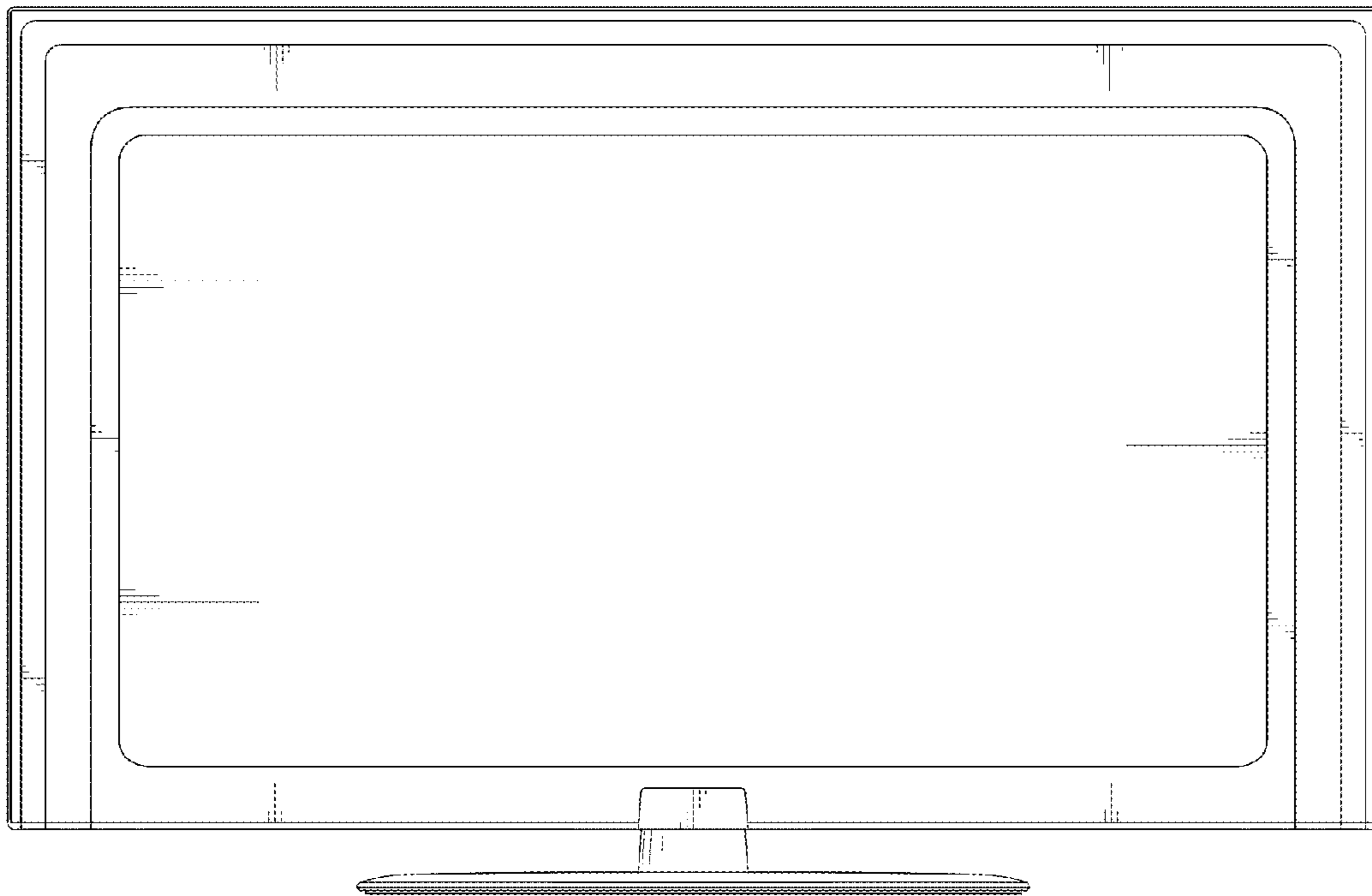


FIG. 4

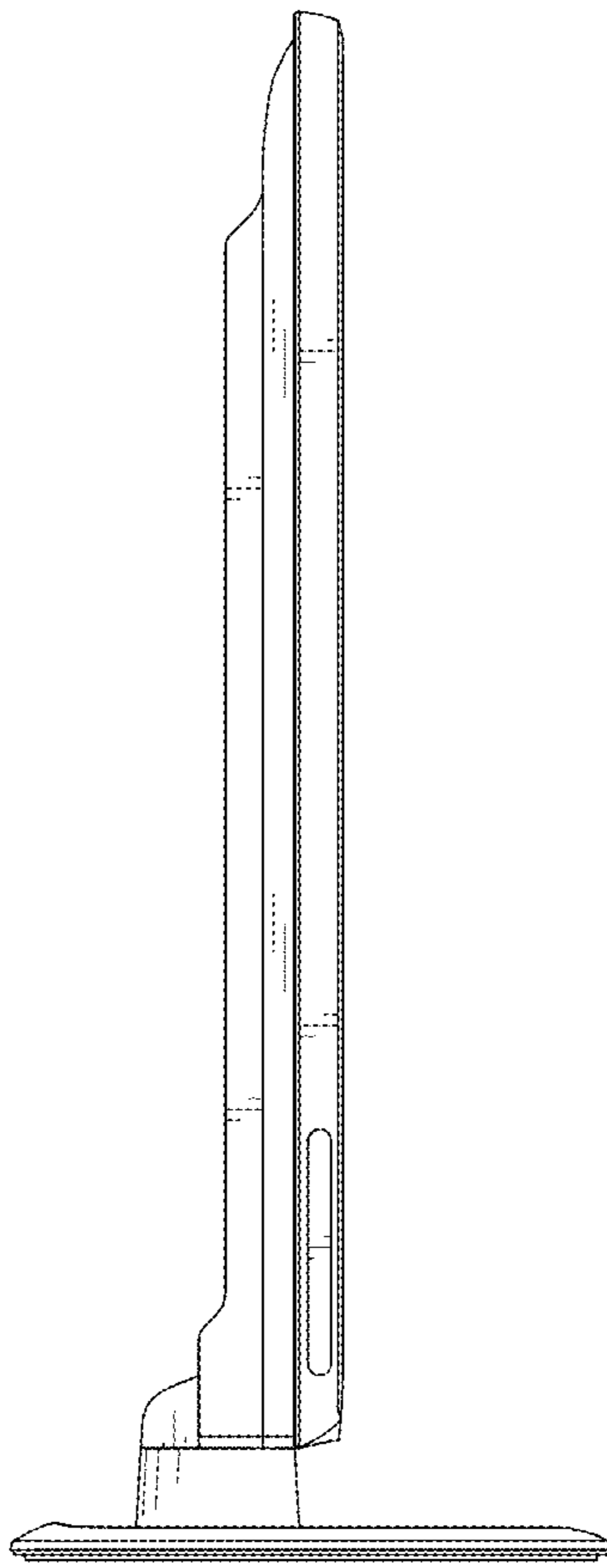


FIG. 5

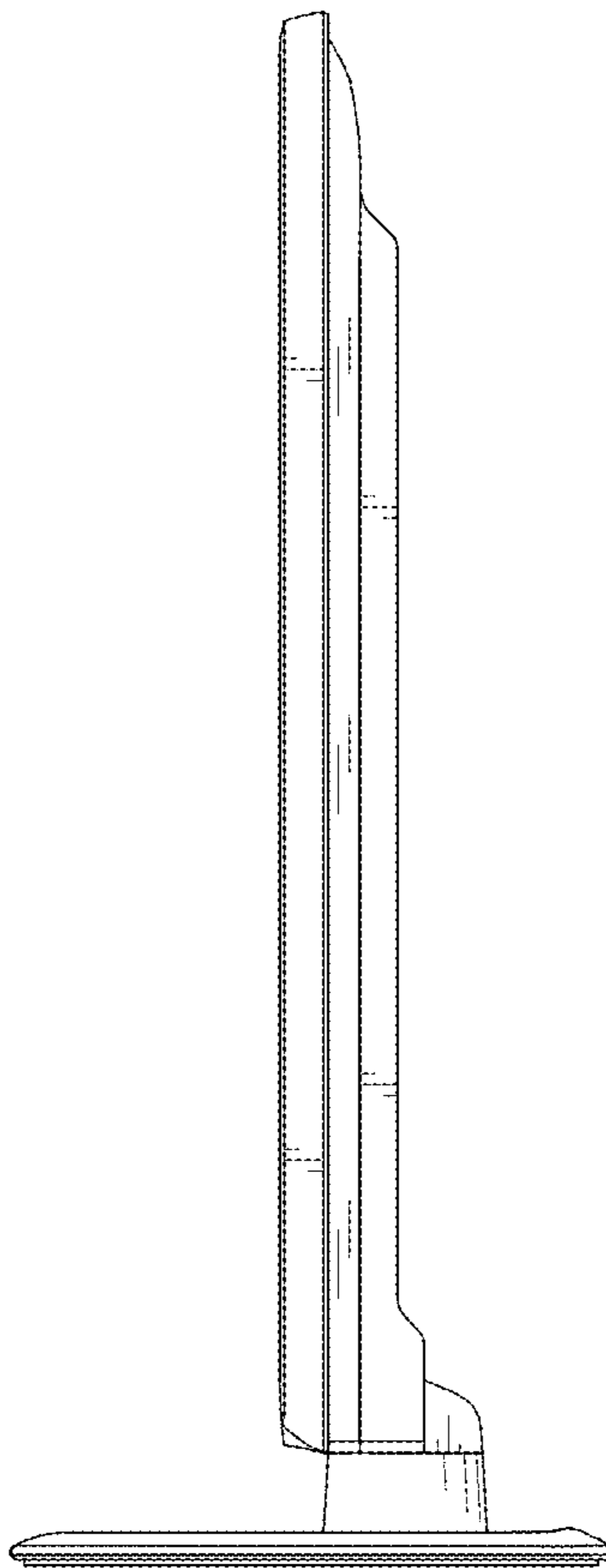


FIG. 6

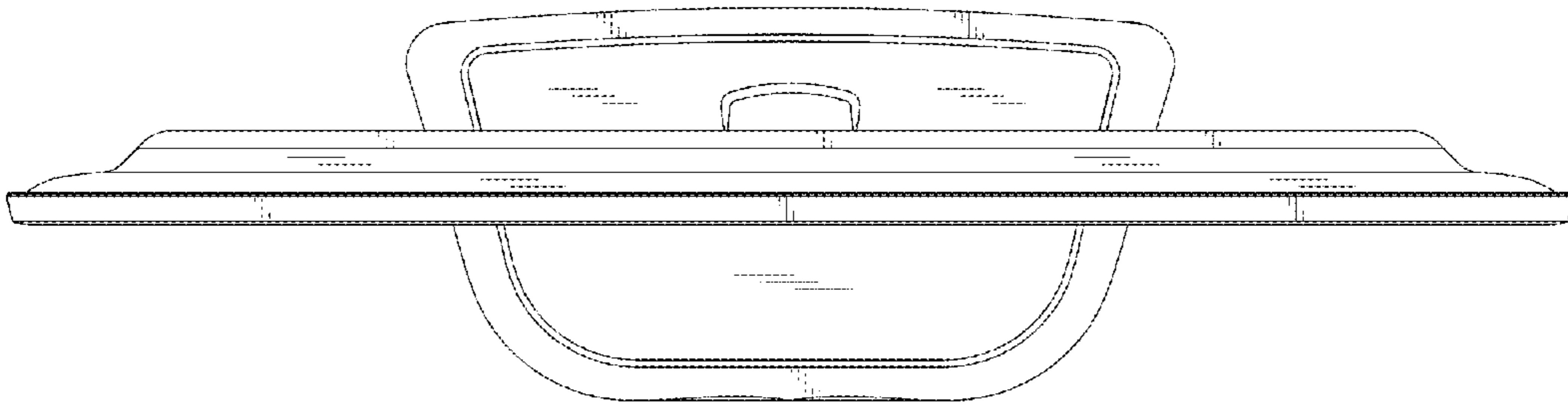


FIG. 7

