



US00D691977S

(12) **United States Design Patent**
Lee et al.

(10) **Patent No.:** **US D691,977 S**
(45) **Date of Patent:** **** *Oct. 22, 2013**

(54) **TELEVISION RECEIVER**

- (71) Applicant: **LG Electronics Inc.**, Seoul (KR)
- (72) Inventors: **Yongbo Lee**, Seoul (KR); **Yeonga Lee**, Seoul (KR); **Kyongtae Han**, Gyeonggi-do (KR); **Jeongrok Lee**, Seoul (KR); **Sangwon Yoon**, Seoul (KR)
- (73) Assignee: **LG Electronics Inc.**, Seoul (KR)
- (*) Notice: This patent is subject to a terminal disclaimer.
- (**) Term: **14 Years**

(21) Appl. No.: **29/434,667**
(22) Filed: **Oct. 16, 2012**

(30) **Foreign Application Priority Data**
Apr. 17, 2012 (KR) 30-2012-0018027

(51) **LOC (9) Cl.** **14-03**
(52) **U.S. Cl.**
USPC **D14/126**

(58) **Field of Classification Search**
USPC D14/125-134, 239, 371, 374-377;
312/7.2; 341/12; 248/917-924;
345/104, 133, 156, 168, 87, 173;
720/605, 669, 600, 655; 369/99, 197;
455/344, 347; D21/329, 515, 577, 622,
D21/333, 433, 448, 452, 450, 331; D6/477,
D6/479, 300; 273/148 B; 446/484, 175,
446/356; D10/15, 26

See application file for complete search history.

(56) **References Cited**

U.S. PATENT DOCUMENTS

D628,172	S	*	11/2010	Chien	D14/126
D634,723	S	*	3/2011	Park et al.	D14/126
D658,612	S	*	5/2012	Won et al.	D14/126
D661,269	S	*	6/2012	Lee et al.	D14/126
D661,272	S	*	6/2012	Kim et al.	D14/126
D663,705	S	*	7/2012	Park et al.	D14/126
D663,706	S	*	7/2012	Cha et al.	D14/126
D670,664	S	*	11/2012	Brown	D14/126
D671,084	S	*	11/2012	Kim et al.	D14/126
D671,513	S	*	11/2012	Jang et al.	D14/126
D675,175	S	*	1/2013	Kim et al.	D14/126
D677,637	S	*	3/2013	Kubota	D14/126
D678,853	S	*	3/2013	Kim et al.	D14/126

* cited by examiner

Primary Examiner — Raphael Barkai

(74) *Attorney, Agent, or Firm* — Morgan, Lewis & Bockius LLP

(57) **CLAIM**

The ornamental design for a television receiver, as shown and described.

DESCRIPTION

FIG. 1 is a perspective view a television receiver showing our new design;
FIG. 2 is a front view thereof;
FIG. 3 is a rear view thereof;
FIG. 4 is a left side view thereof where the right side view is a mirror image;
FIG. 5 is a top plan view thereof; and,
FIG. 6 is a bottom plan view thereof.

1 Claim, 5 Drawing Sheets

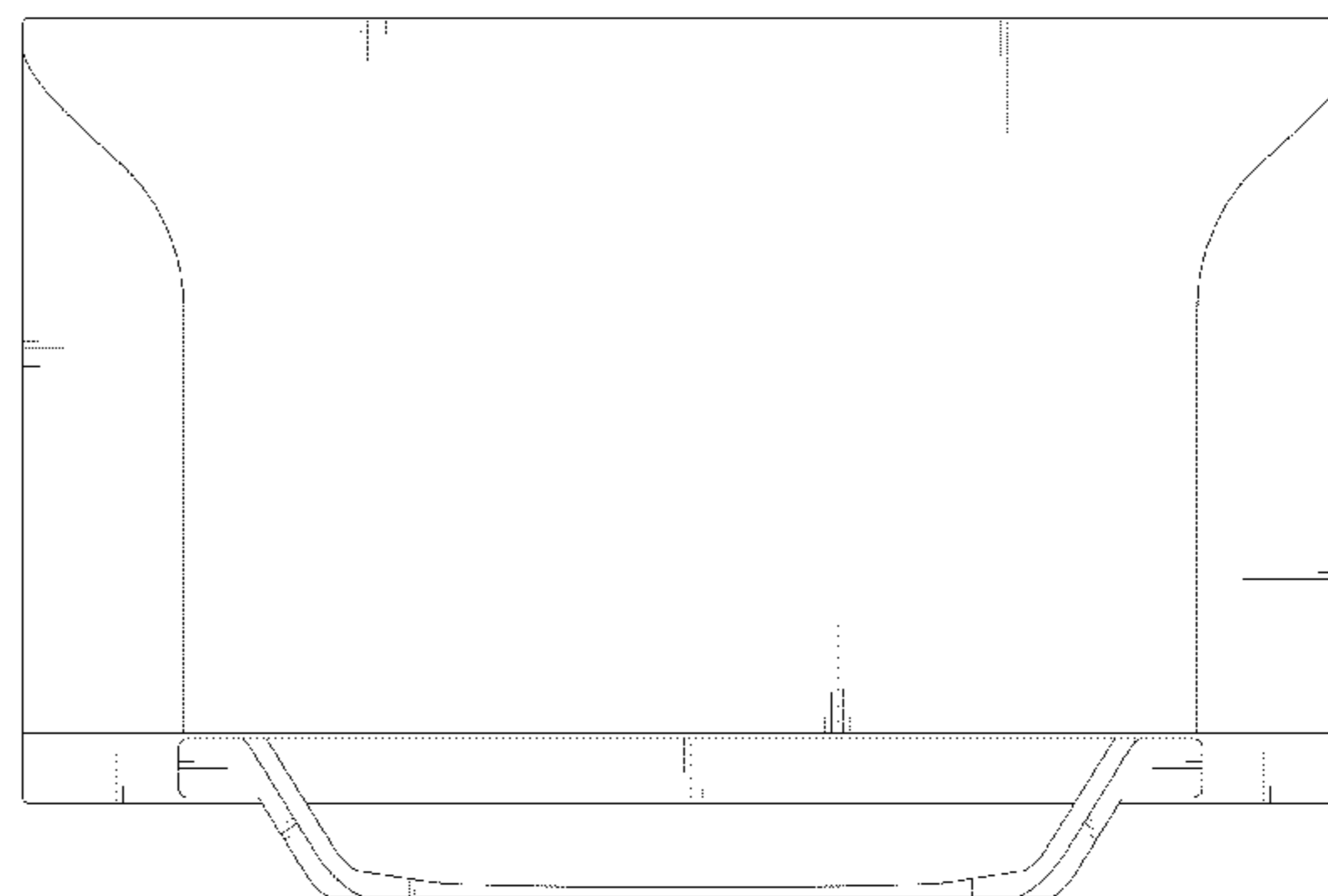
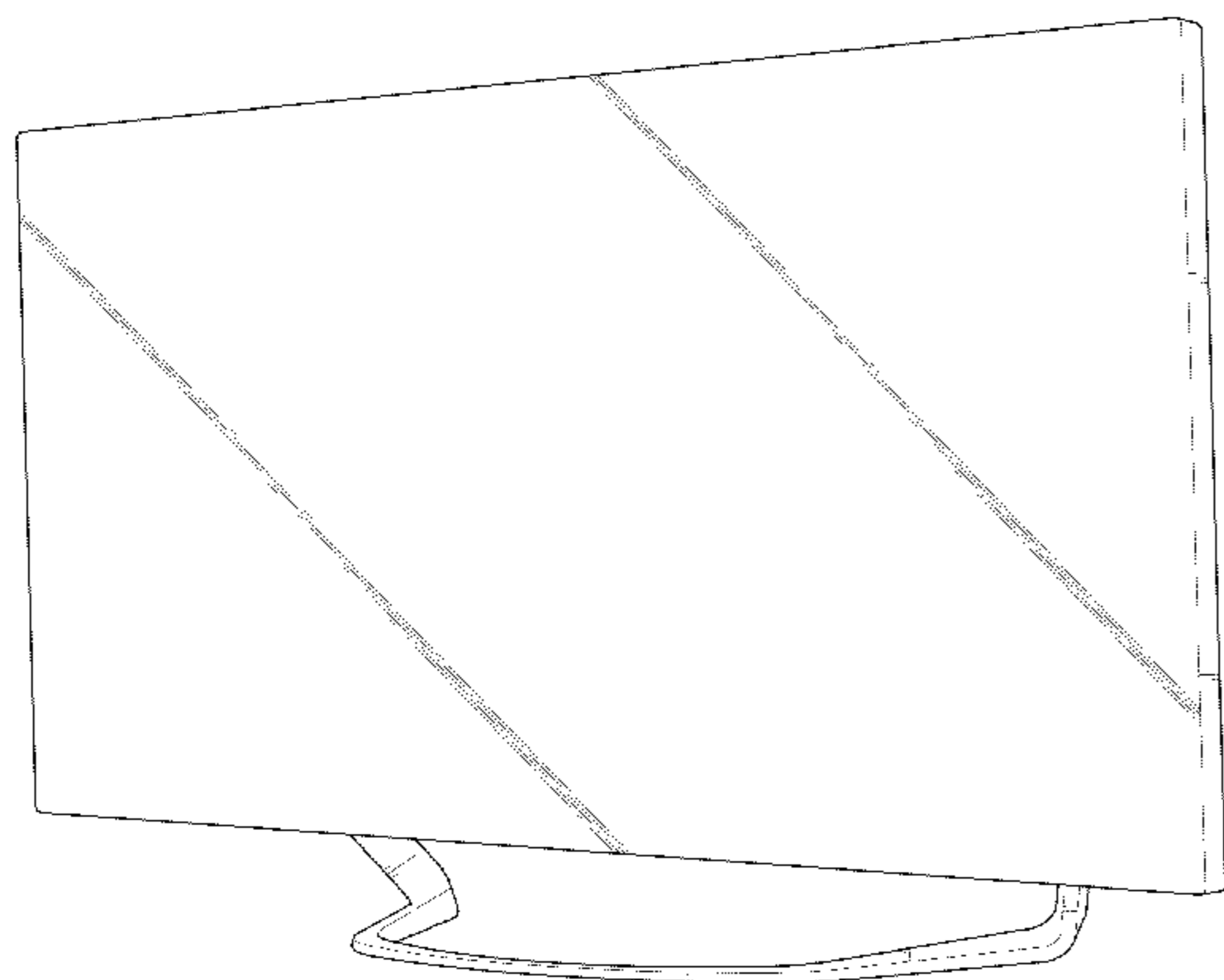


FIG. 1

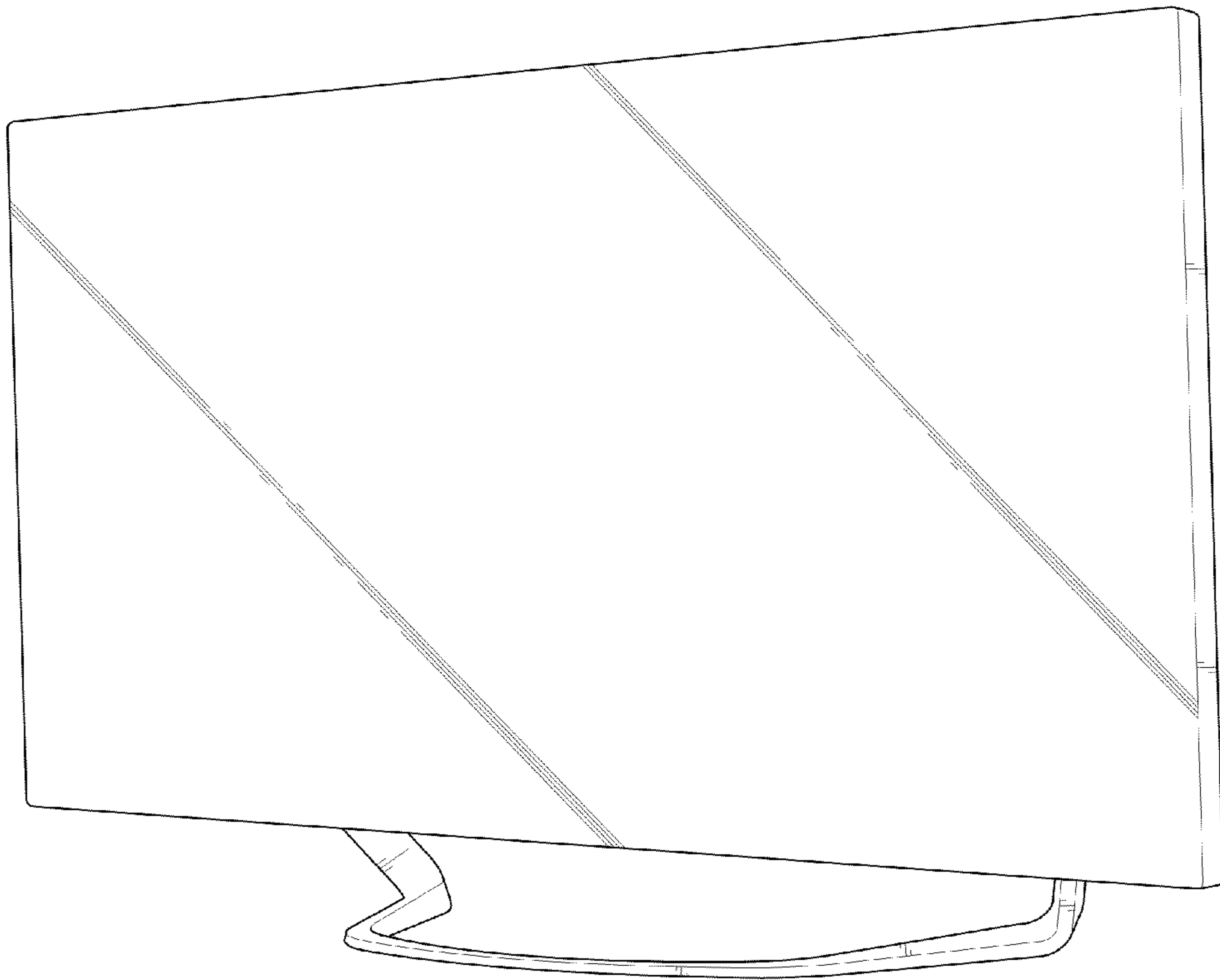


FIG. 2

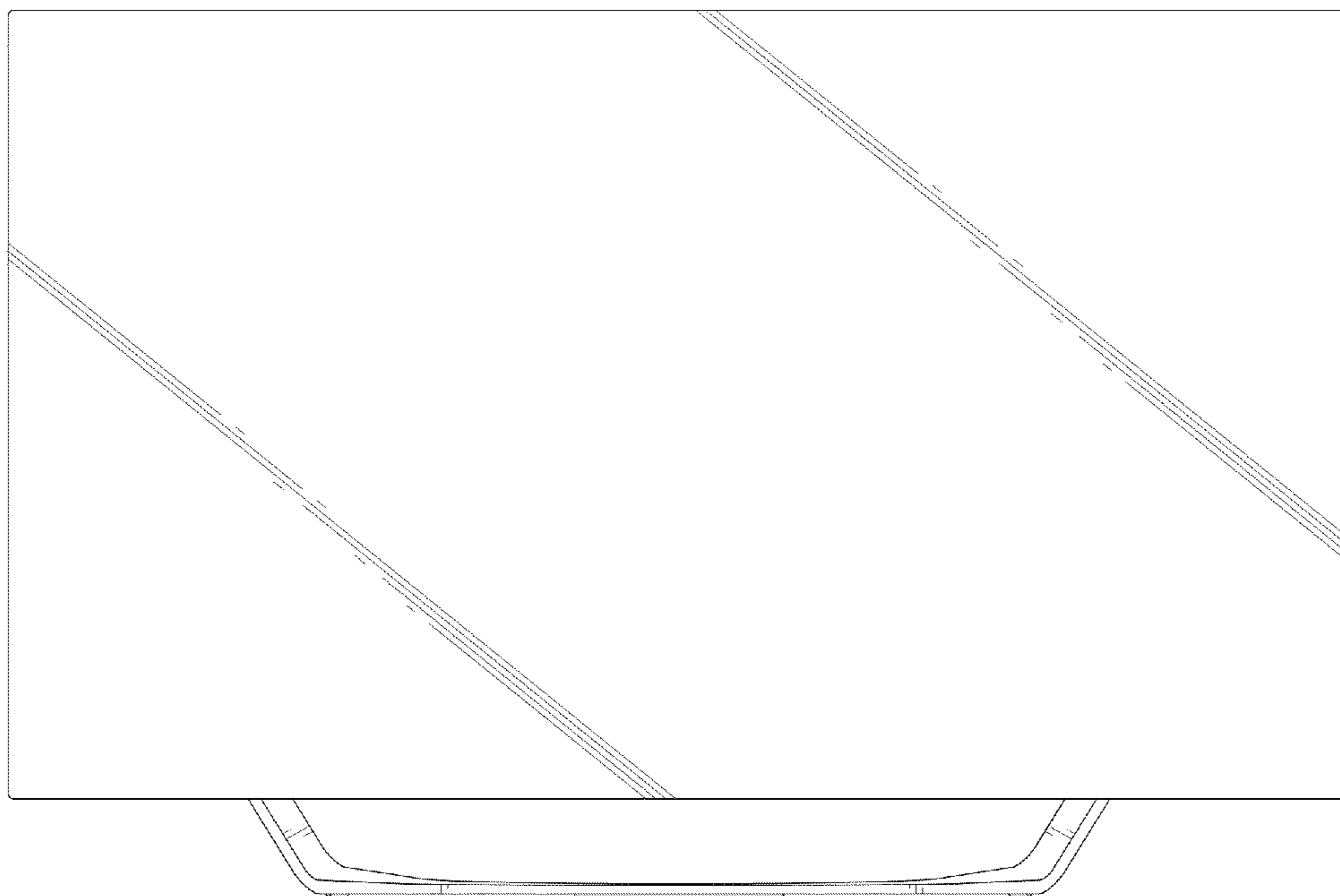


FIG. 3

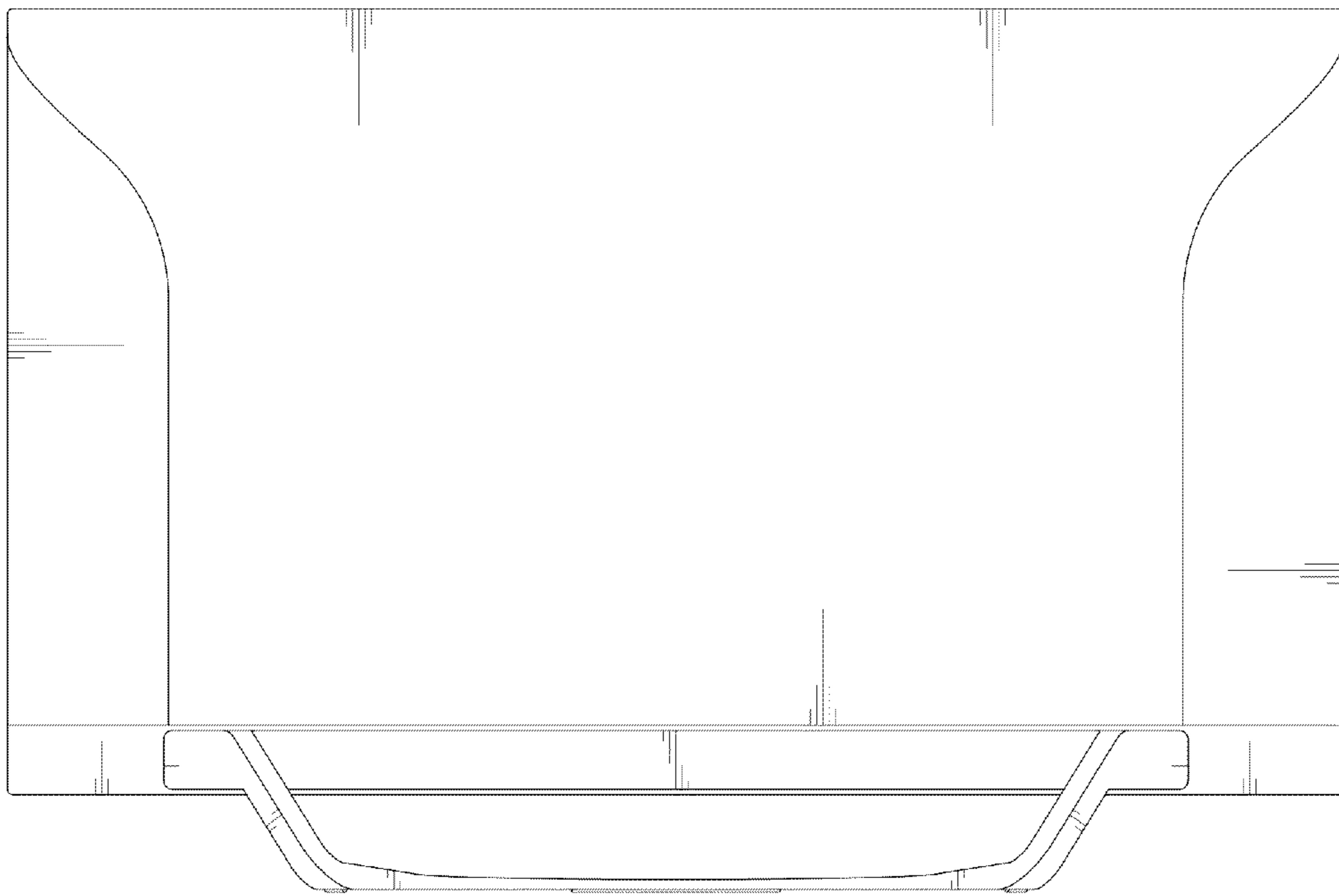


FIG. 4

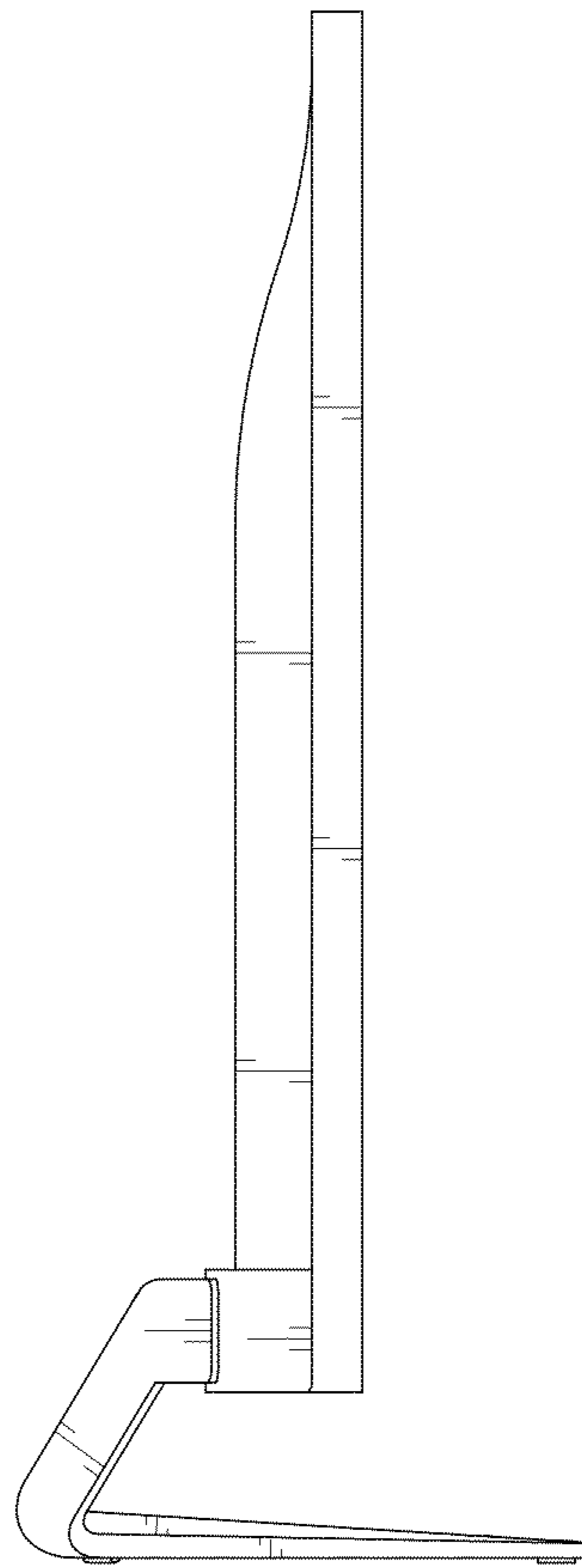


FIG. 5

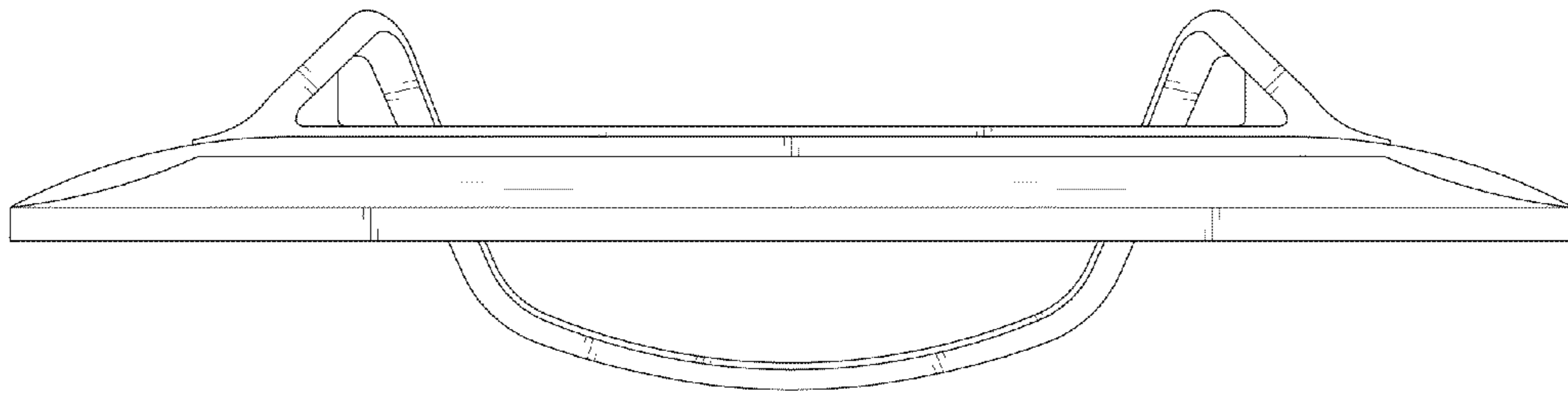


FIG. 6

