

US00D691969S

(12) **United States Design Patent**  
**Chu**

(10) **Patent No.:** **US D691,969 S**  
(45) **Date of Patent:** **\*\* Oct. 22, 2013**

(54) **CONTROL PANEL WITH PUSH BUTTONS FOR WATERPROOF CASE FOR SMART PHONE**

(75) Inventor: **Man Fong Chu**, Hong Kong (HK)

(73) Assignee: **Zear Corporation Limited**, Hong Kong (HK)

(\*\*) Term: **14 Years**

(21) Appl. No.: **29/425,992**

(22) Filed: **Jun. 29, 2012**

(51) **LOC (9) Cl.** ..... **13-03**

(52) **U.S. Cl.**  
USPC ..... **D13/164**

(58) **Field of Classification Search**  
USPC ..... D13/162, 164, 171, 174; D3/218; D14/247; 174/53, 54; 200/5 R, 5 A, 200/302.2, 520, 530, 293, 296, 308, 310, 200/314, 329, 341; 307/139; 338/198-200; 345/169; 379/447; 361/600, 679.01; 400/472

See application file for complete search history.

(56) **References Cited**

**U.S. PATENT DOCUMENTS**

D276,247 S \* 11/1984 Kim ..... D14/399  
D305,018 S \* 12/1989 Pena et al. .... D13/164  
D305,019 S \* 12/1989 Pena et al. .... D13/171

D315,144 S \* 3/1991 Dard et al. .... D13/162  
5,362,932 A \* 11/1994 Inagaki et al. .... 200/341  
6,239,726 B1 \* 5/2001 Saida ..... 340/999  
6,259,044 B1 \* 7/2001 Paratore et al. .... 200/5 A  
D455,736 S \* 4/2002 Vuolteenaho et al. .... D14/247  
7,355,136 B2 \* 4/2008 Chen et al. .... 200/296  
D571,361 S \* 6/2008 Moriyama ..... D14/247  
7,405,373 B2 \* 7/2008 Konishi et al. .... 200/517  
D582,355 S \* 12/2008 Ohlert et al. .... D13/164  
7,470,869 B2 \* 12/2008 Lin ..... 200/341  
D584,244 S \* 1/2009 Ohlert et al. .... D13/174  
7,999,204 B2 \* 8/2011 Kobayashi et al. .... 200/341  
2006/0207868 A1 \* 9/2006 Wimmer et al. .... 200/341  
2007/0199814 A1 \* 8/2007 Kobayashi et al. .... 200/520  
2008/0289942 A1 \* 11/2008 Shi ..... 200/341  
2010/0059351 A1 \* 3/2010 Wu et al. .... 200/341  
2010/0270138 A1 \* 10/2010 Yamanaka ..... 200/341  
2011/0240453 A1 \* 10/2011 Shu ..... 200/5 A  
2012/0188694 A1 \* 7/2012 Sakakibara et al. .... 361/679.01

\* cited by examiner

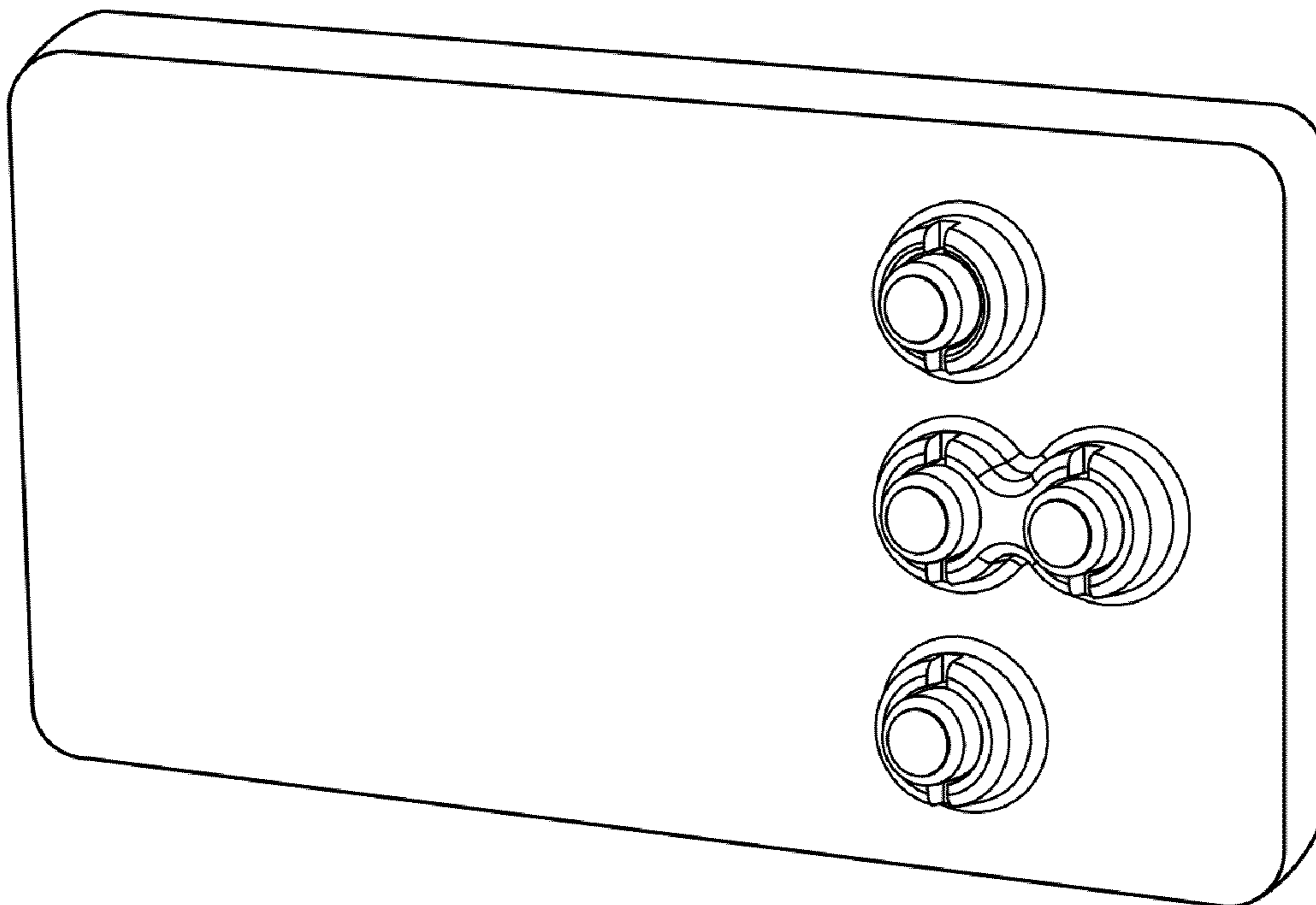
*Primary Examiner* — Selina Sikder

(57) **CLAIM**  
The ornamental design for a control panel with push buttons for waterproof case for smart phone, as shown and described.

**DESCRIPTION**

FIG. 1 is a front view of a control panel with push buttons for waterproof case for smart phone of my new design;  
FIG. 2 is a left view thereof;  
FIG. 3 is a top view thereof; and,  
FIG. 4 is a perspective view thereof.

**1 Claim, 4 Drawing Sheets**



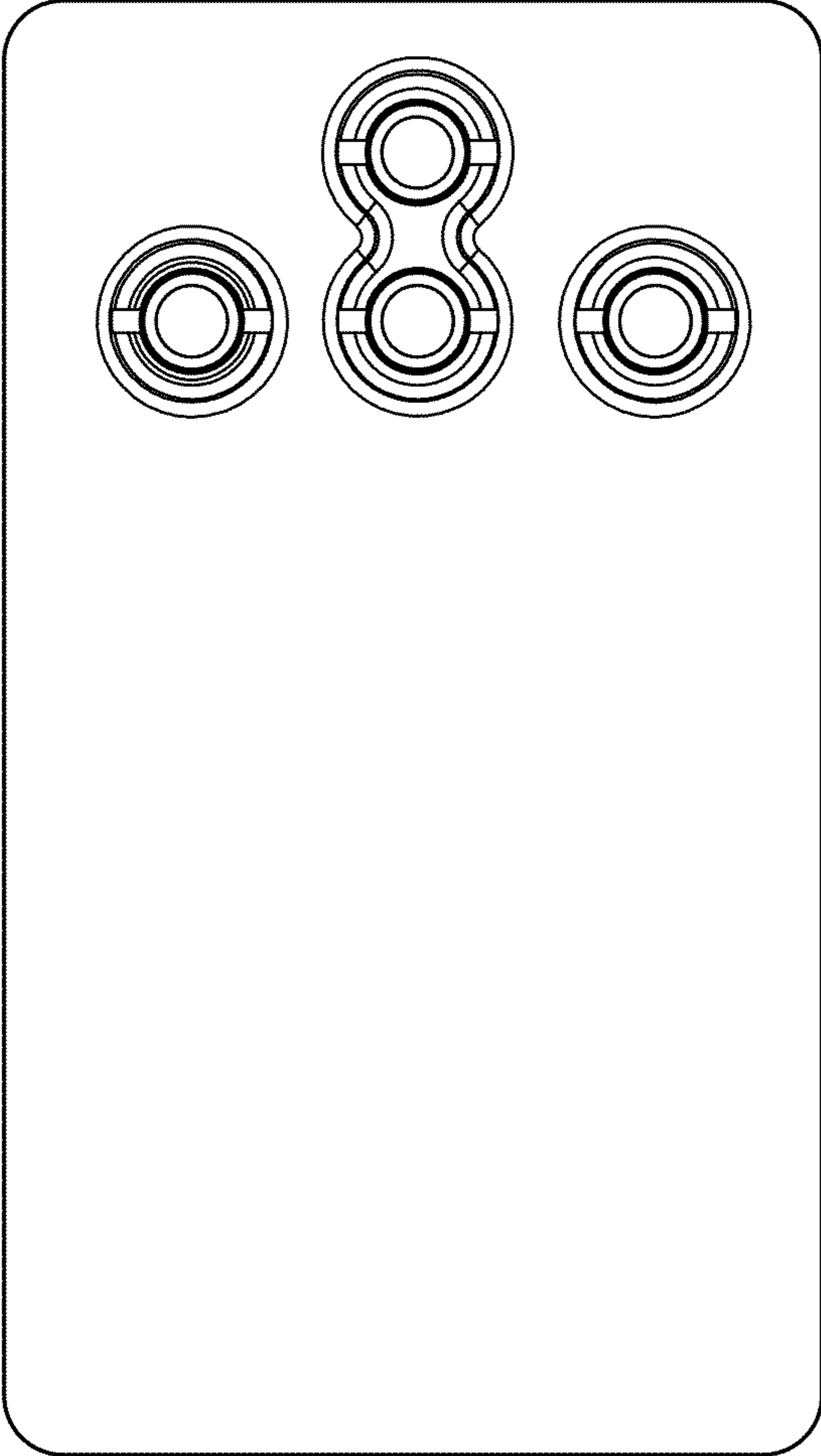
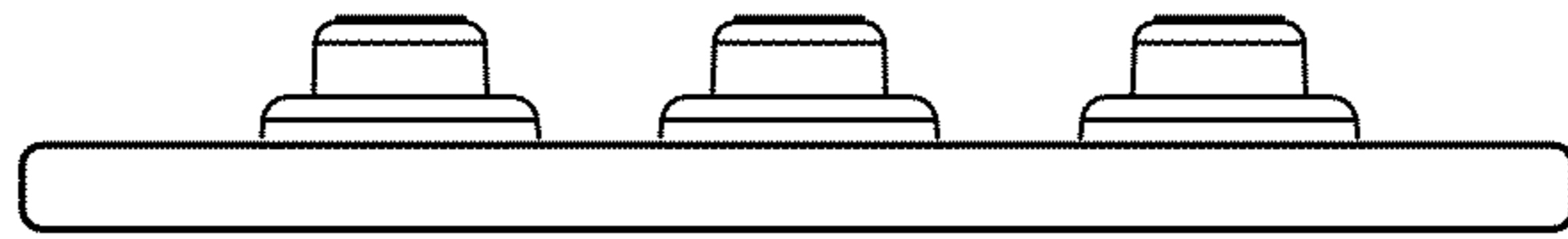


FIG. 1



**FIG. 2**

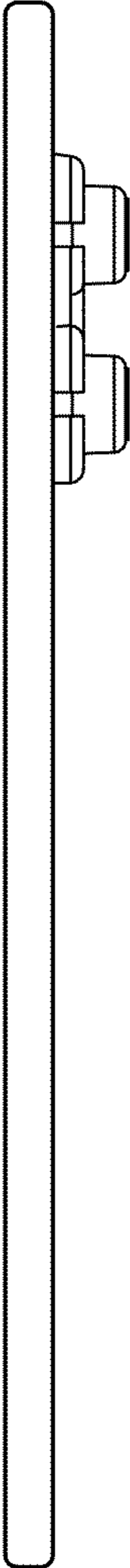


FIG. 3

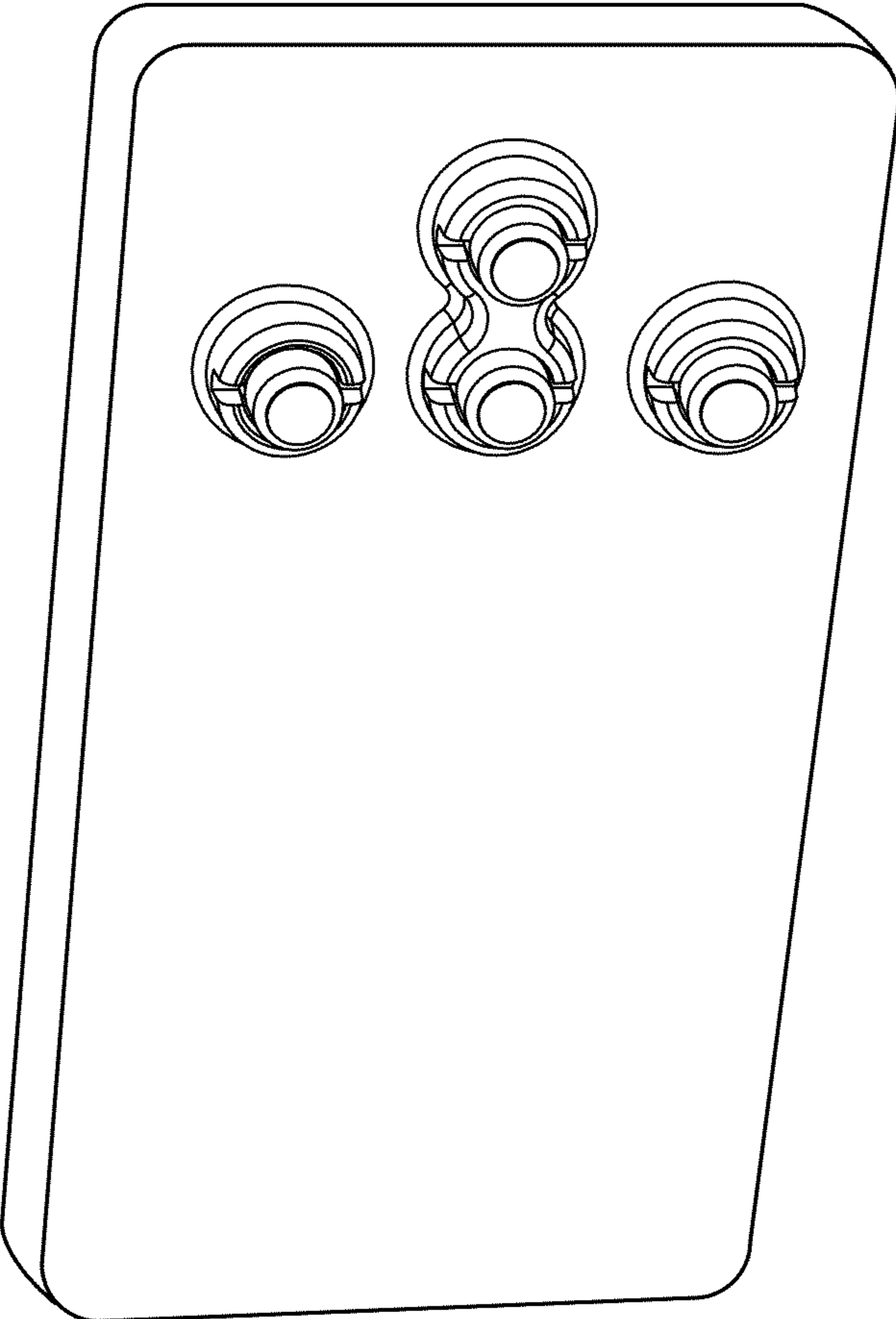


FIG. 4