



US00D691968S

(12) **United States Design Patent**  
**Schmuckle et al.**

(10) **Patent No.:** **US D691,968 S**  
(45) **Date of Patent:** **\*\* Oct. 22, 2013**

(54) **REMOVABLE FACE PACK FOR AN  
ELECTRONIC LANDSCAPE LIGHTING  
CONTROLLER**

7,953,517 B1 \* 5/2011 Porter et al. .... 700/284  
2010/0030389 A1 \* 2/2010 Palmer et al. .... 700/284  
2012/0038281 A1 \* 2/2012 Verfueth ..... 315/152  
2012/0274219 A1 \* 11/2012 Woytowitz et al. .... 315/152

(71) Applicant: **Hunter Industries, Inc.**, San Marcos,  
CA (US)

\* cited by examiner

(72) Inventors: **Darrin I. Schmuckle**, Vista, CA (US);  
**Steven B. Cook**, Oceanside, CA (US)

*Primary Examiner* — Selina Sikder

(74) *Attorney, Agent, or Firm* — Knobbe, Martens, Olson &  
Bear LLP

(73) Assignee: **Hunter Industries, Inc.**, San Marcos,  
CA (US)

(57) **CLAIM**

The ornamental design for a removable face pack for an  
electronic landscape lighting controller, as illustrated and  
described.

(\*\*) Term: **14 Years**

**DESCRIPTION**

(21) Appl. No.: **29/436,478**

(22) Filed: **Nov. 6, 2012**

(51) **LOC (9) Cl.** ..... **13-03**

(52) **U.S. Cl.**  
USPC ..... **D13/162**

(58) **Field of Classification Search**  
USPC ..... D13/162, 164; D10/46, 49, 96;  
137/624.11; 239/69; 315/152, 158;  
361/622, 627, 628, 643; 700/284  
See application file for complete search history.

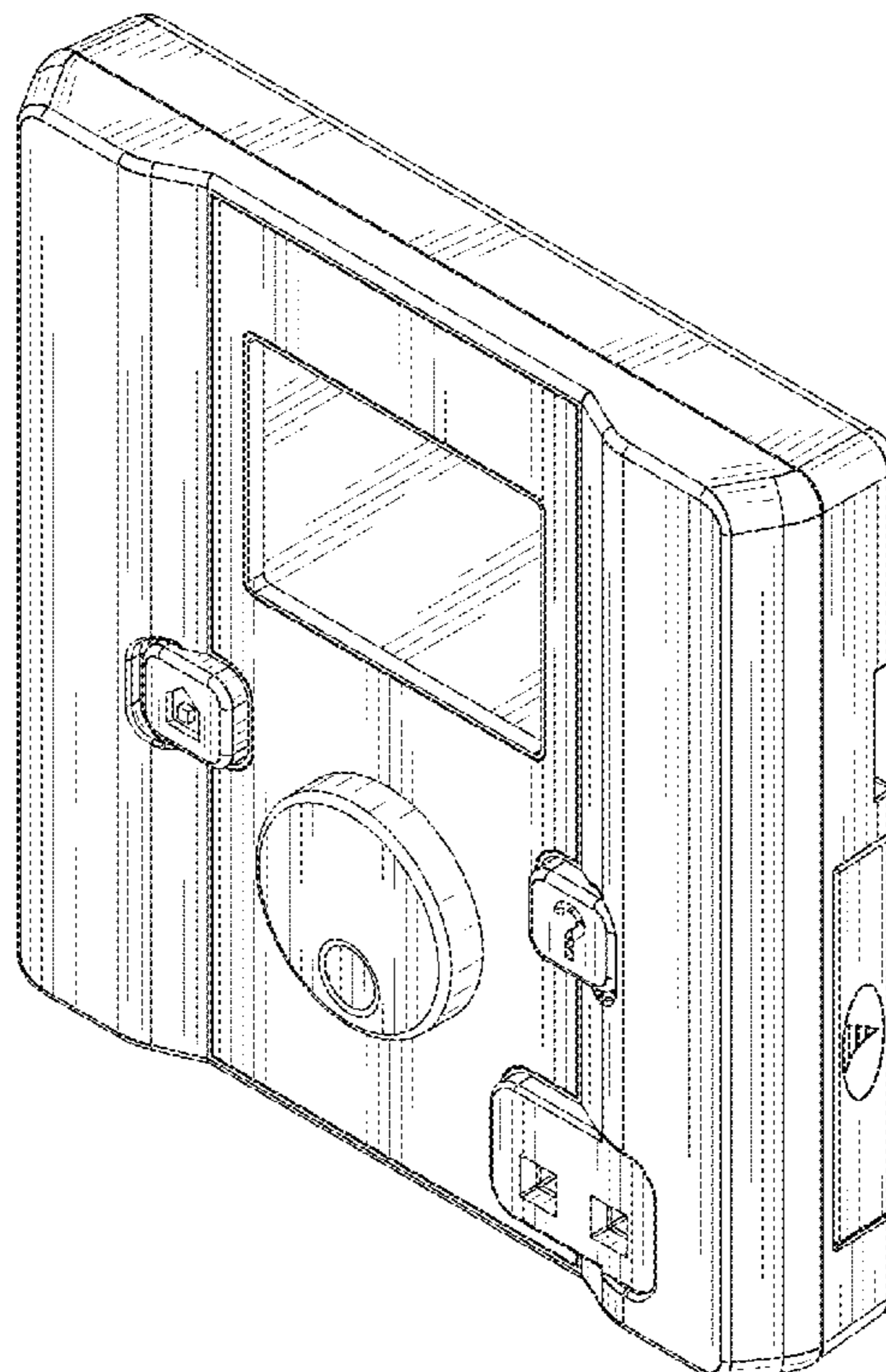
FIG. 1 is an isometric view of the face pack taken from the  
front side thereof;  
FIG. 2 is an isometric view of the face pack taken from the  
rear side thereof;  
FIG. 3 is a front elevation view of the face pack;  
FIG. 4 is an end elevation view of the face pack taken from the  
right side of FIG. 3;  
FIG. 5 is an end elevation view of the pack panel taken from  
the left side of FIG. 3;  
FIG. 6 is a top elevation view of the face pack taken from the  
top of FIG. 3;  
FIG. 7, is a bottom elevation view of the face pack taken from  
the bottom of FIG. 3; and,  
FIG. 8 is a rear elevation view of the face pack.

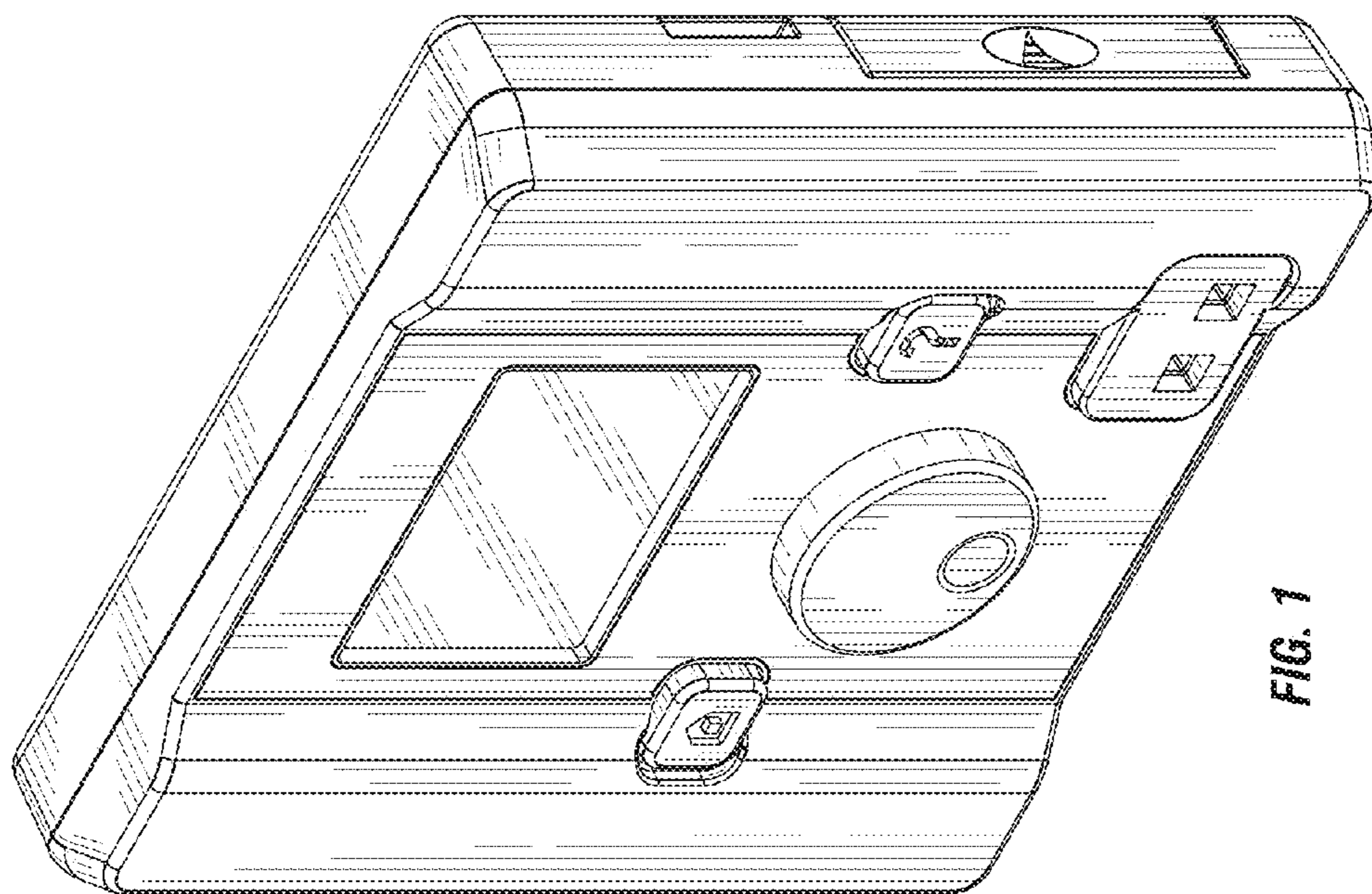
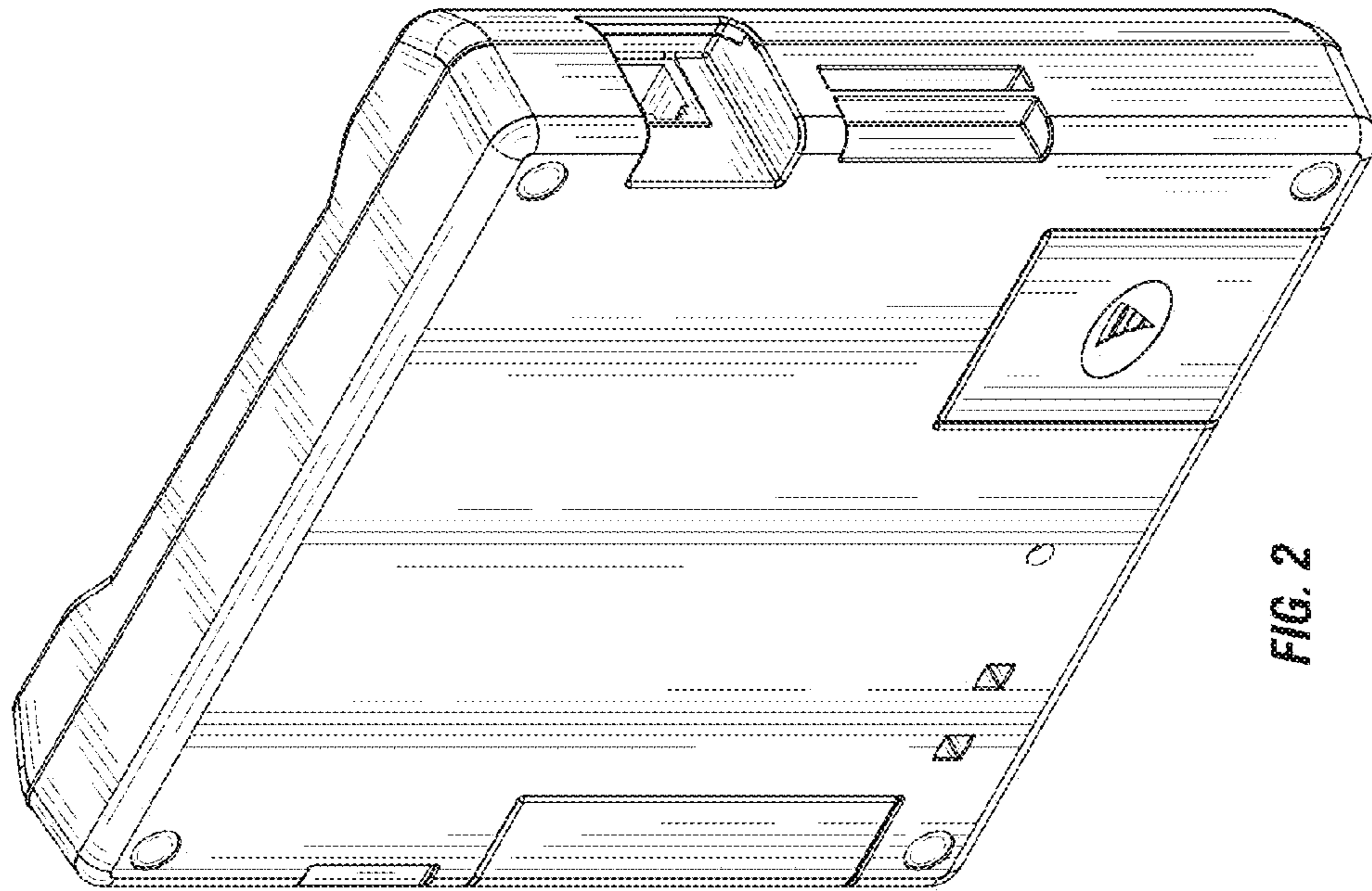
(56) **References Cited**

**U.S. PATENT DOCUMENTS**

D612,813 S \* 3/2010 Paul ..... D13/162  
D613,255 S 4/2010 Paul ..... D13/162

**1 Claim, 4 Drawing Sheets**





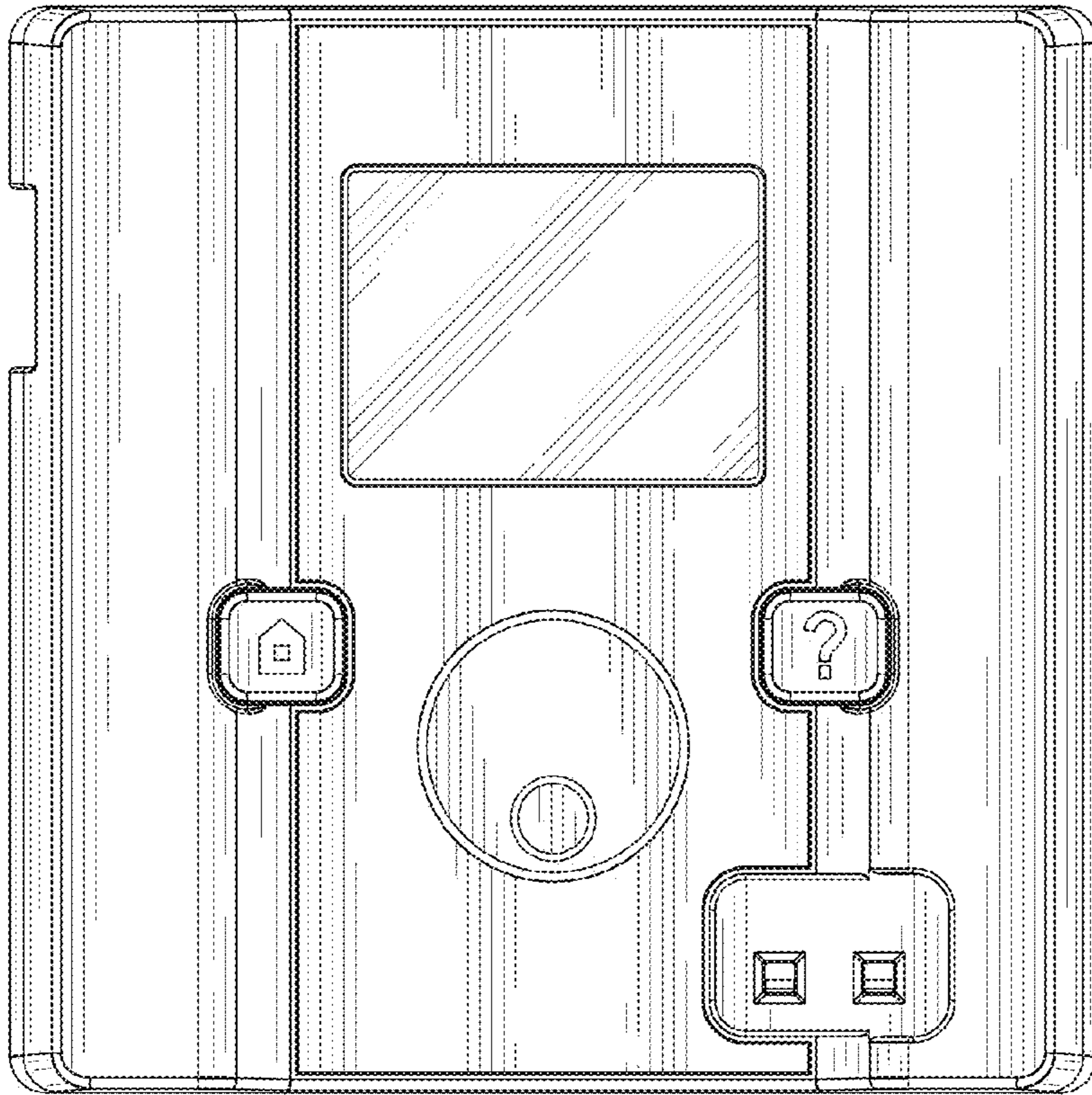


FIG. 3

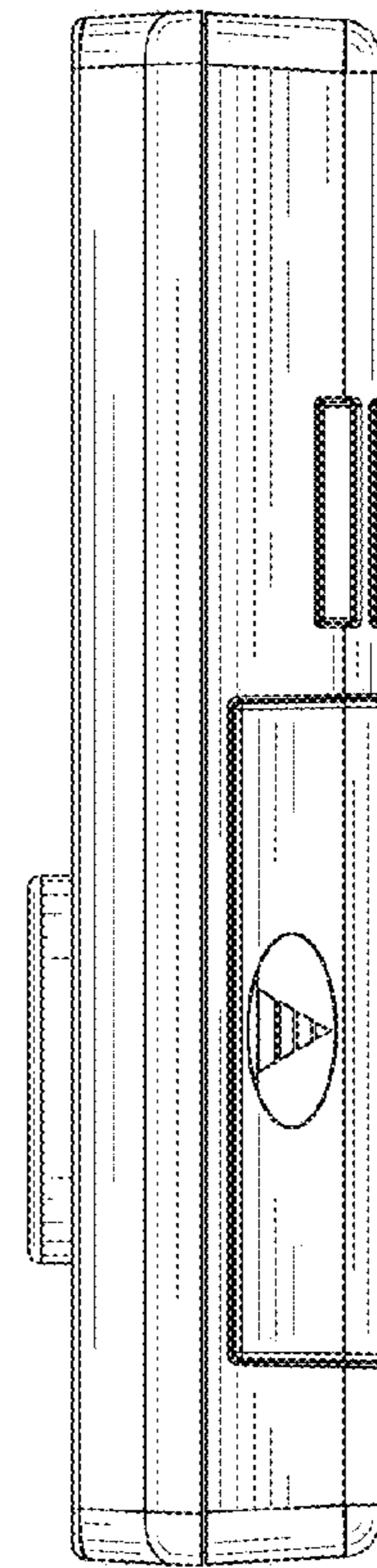
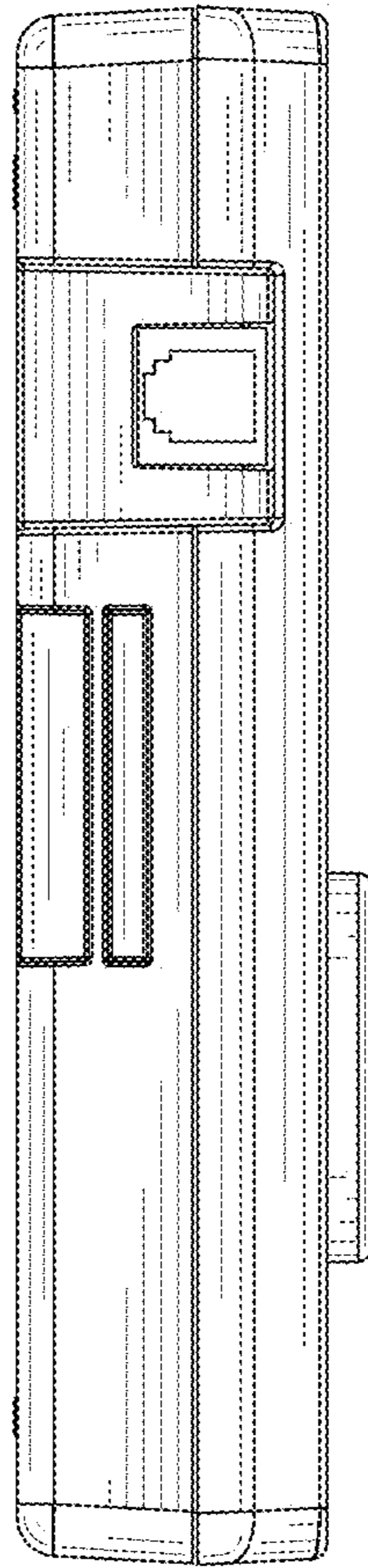
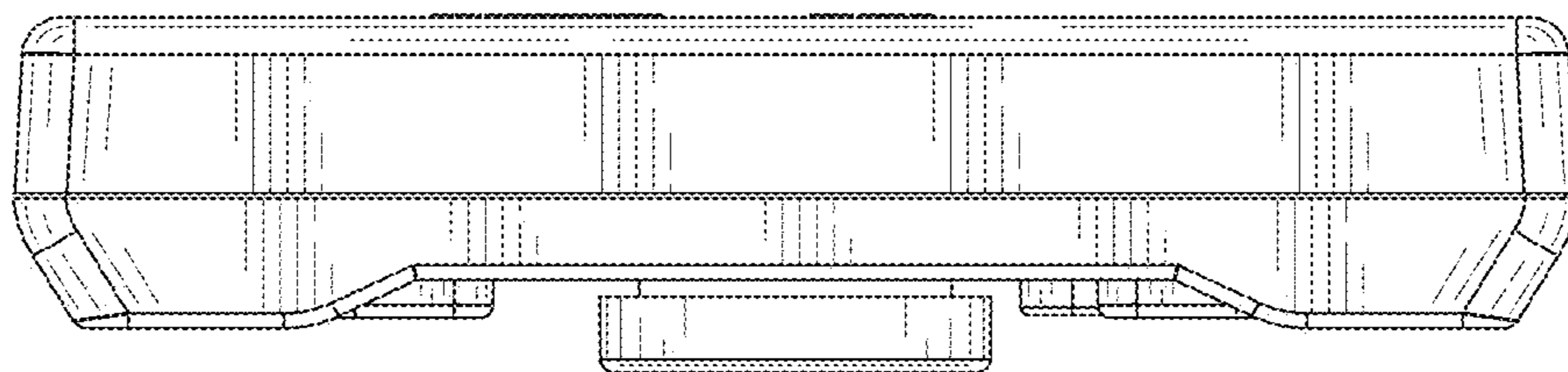


FIG. 4



**FIG. 5**



**FIG. 6**

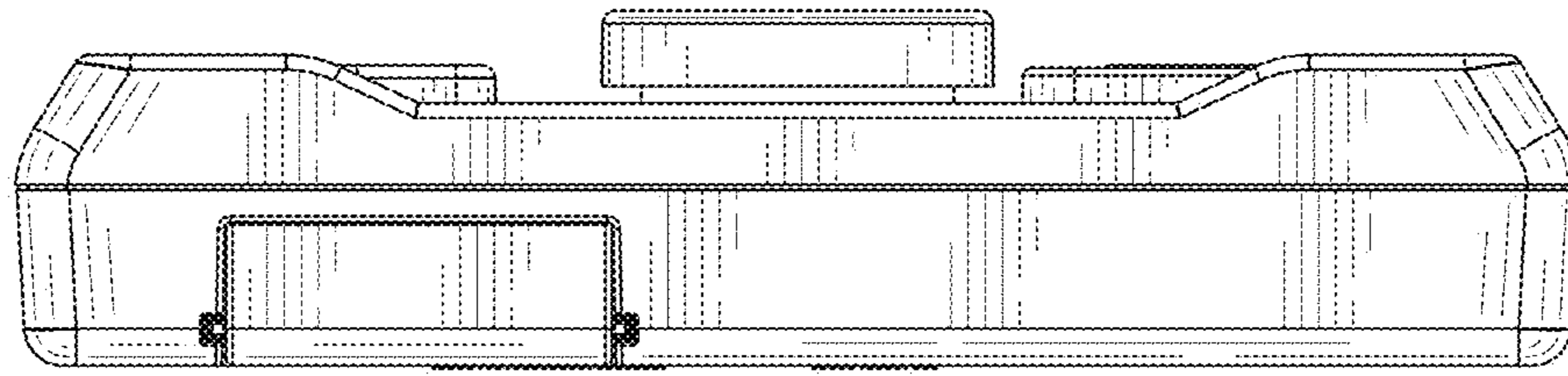


FIG. 7

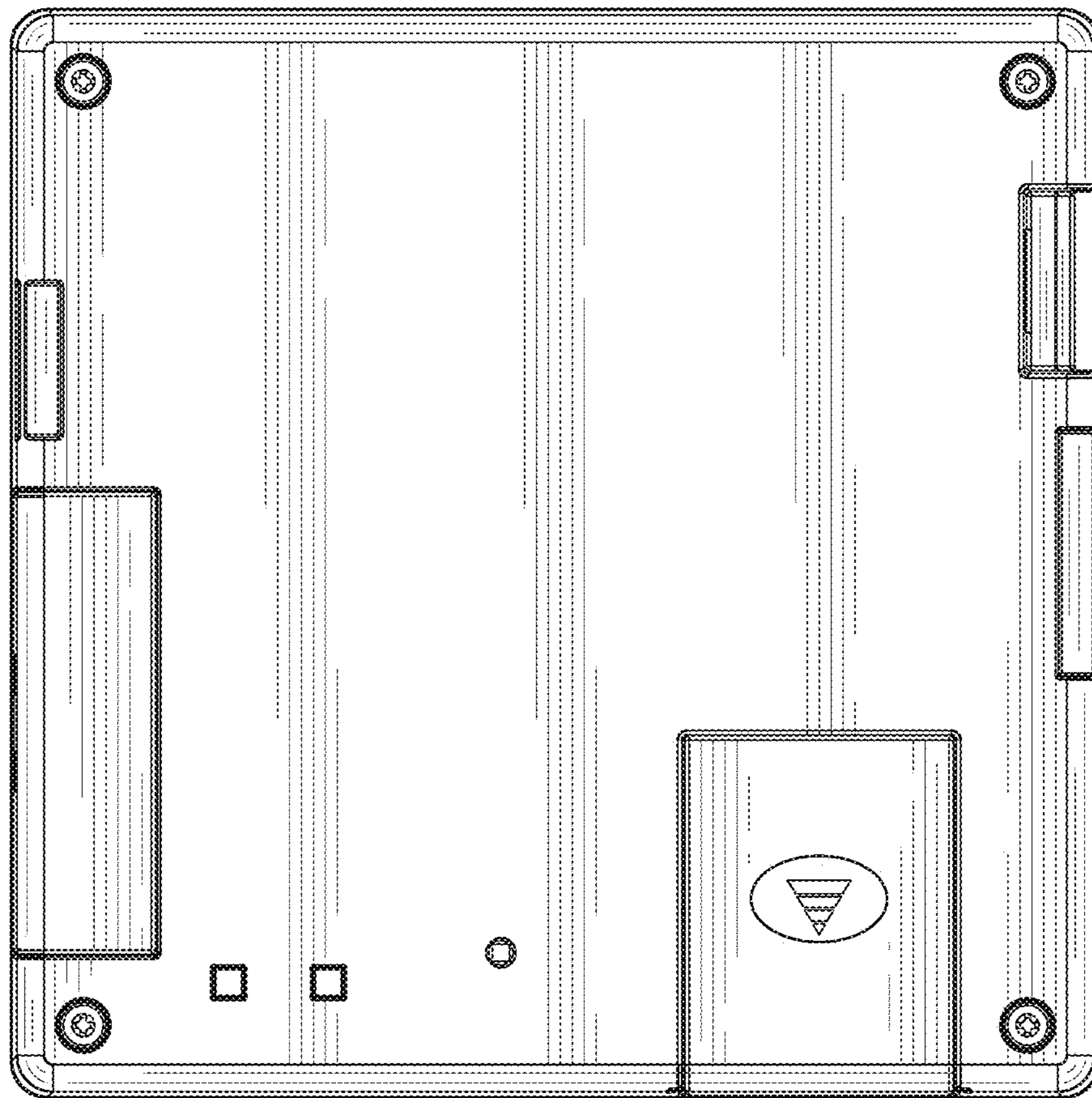


FIG. 8