

US00D691964S

(12) **United States Design Patent**
Cuche

(10) **Patent No.:** **US D691,964 S**

(45) **Date of Patent:** **** Oct. 22, 2013**

(54) **SWITCH**

(75) Inventor: **Rémy Cuche, Quingey (FR)**

(73) Assignee: **CML Innovative Technologies,
Besancon (FR)**

(**) Term: **14 Years**

(21) Appl. No.: **29/428,784**

(22) Filed: **Aug. 3, 2012**

(30) **Foreign Application Priority Data**

Jun. 21, 2012 (EM) 002061432

(51) **LOC (9) Cl.** **13-03**

(52) **U.S. Cl.**
USPC **D13/158**

(58) **Field of Classification Search**

USPC D13/110, 123, 147, 151, 158-177, 184;
200/5 R, 295, 308, 310, 313, 314, 329,
200/340, 1 R, 6 R, 5 A, 296, 302.3, 315, 330,
200/334, 339, 341, 520, 525, 553;
335/131-133, 196, 202, 262, 251;
439/491, 535

See application file for complete search history.

(56) **References Cited**

U.S. PATENT DOCUMENTS

D624,509	S	*	9/2010	Naumann	D13/158
D629,367	S	*	12/2010	Detemple et al.	D13/160
7,938,692	B2	*	5/2011	Vejux	439/772
D655,250	S	*	3/2012	Jokiniemi et al.	D13/158
D657,749	S	*	4/2012	Suzuki et al.	D13/159
2010/0236909	A1	*	9/2010	Biedrzycki et al.	200/310

* cited by examiner

Primary Examiner — Thomas Johannes

(74) *Attorney, Agent, or Firm* — Egbert Law Offices, PLLC

(57) **CLAIM**

The ornamental design for a switch, as shown and described.

DESCRIPTION

FIG. 1 is an upper perspective view of the switch showing my design.

FIG. 2 is a front elevation view thereof;

FIG. 3 is side elevation view thereof;

FIG. 4 is a rear elevation view thereof;

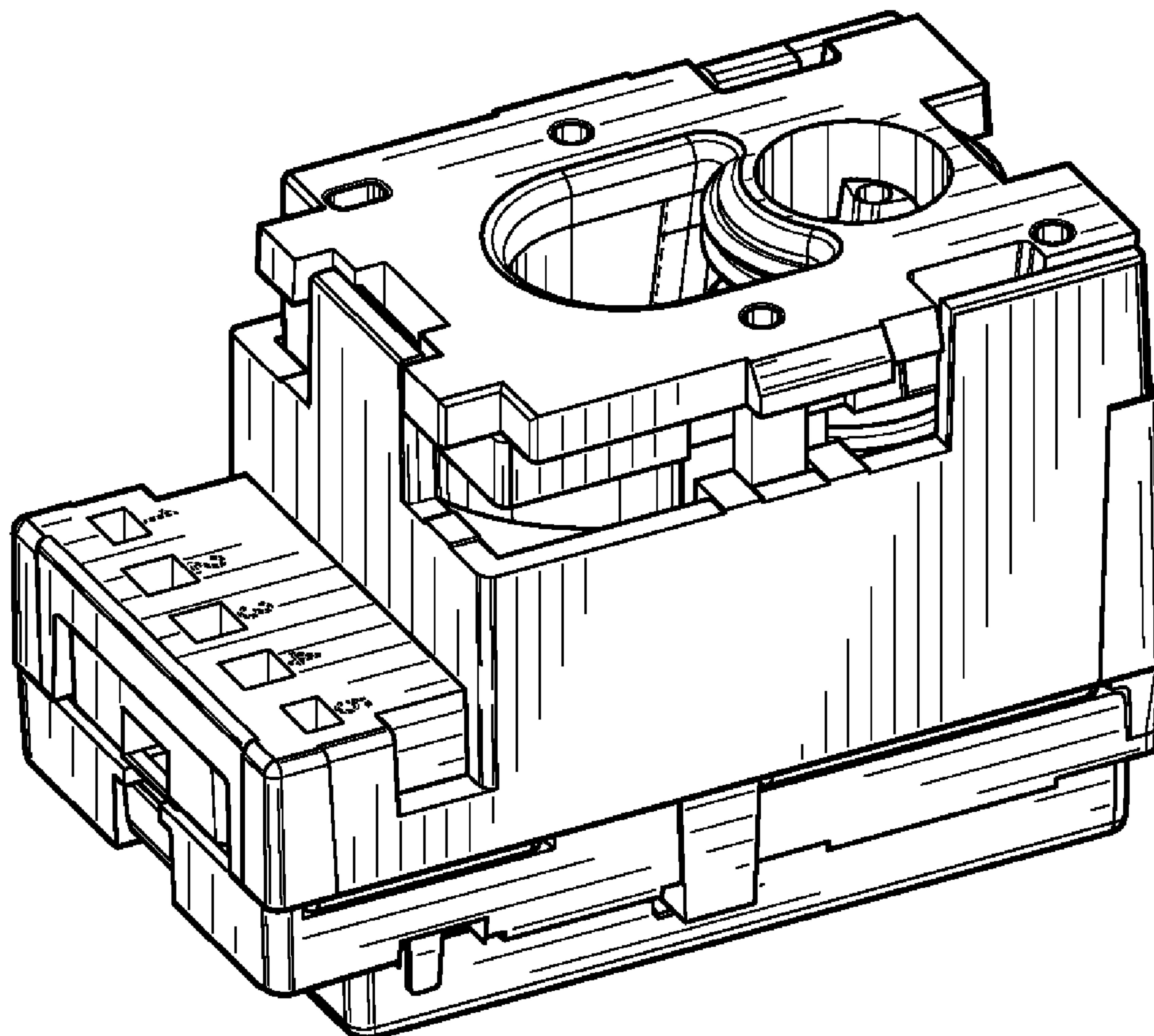
FIG. 5 is an opposite side elevation view thereof;

FIG. 6 is a top plan view thereof; and,

FIG. 7 is a bottom plan view thereof.

The features presented in broken lines show unclaimed subject matter only and form no part of the claimed design.

1 Claim, 2 Drawing Sheets



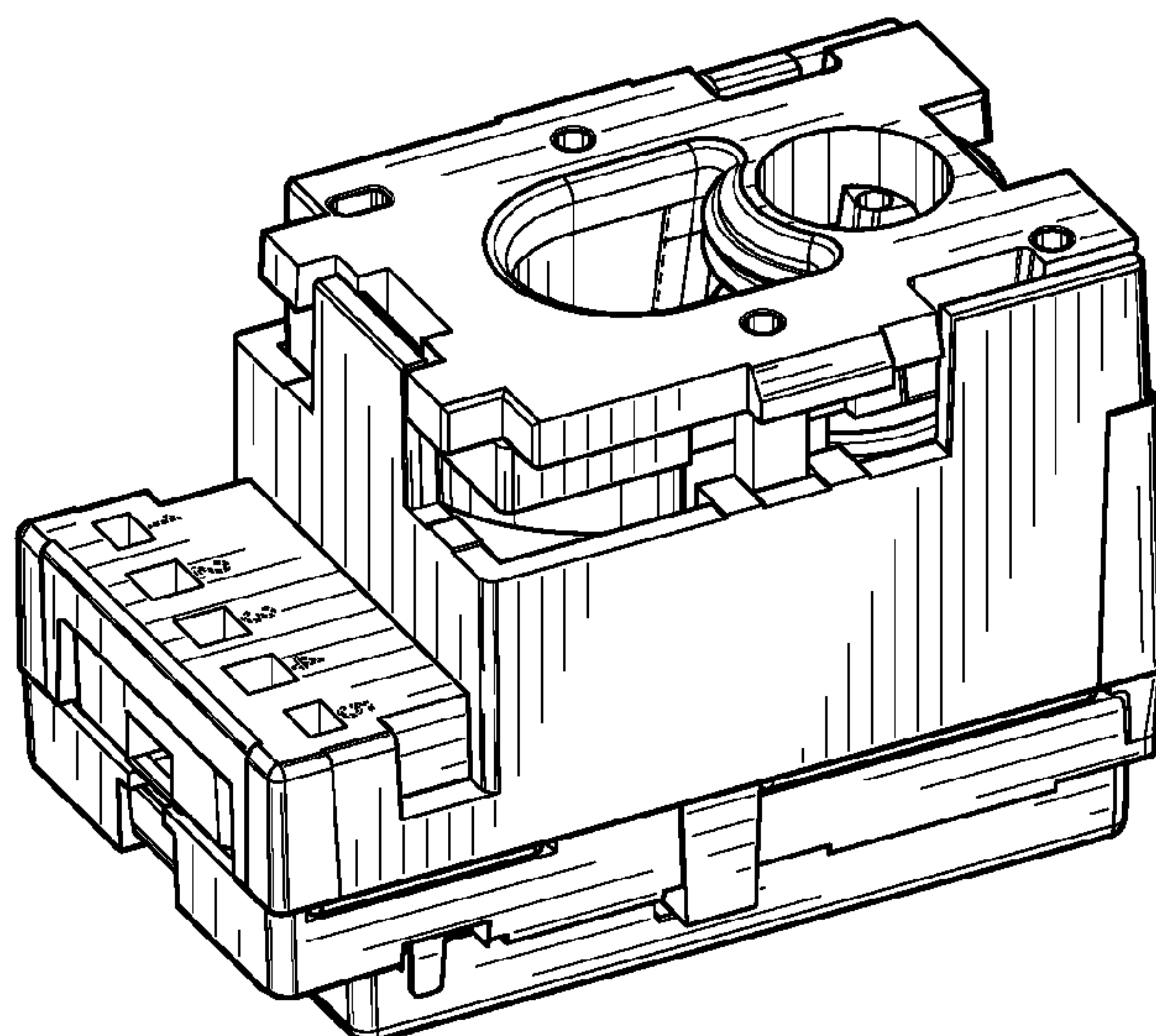


FIG. 1

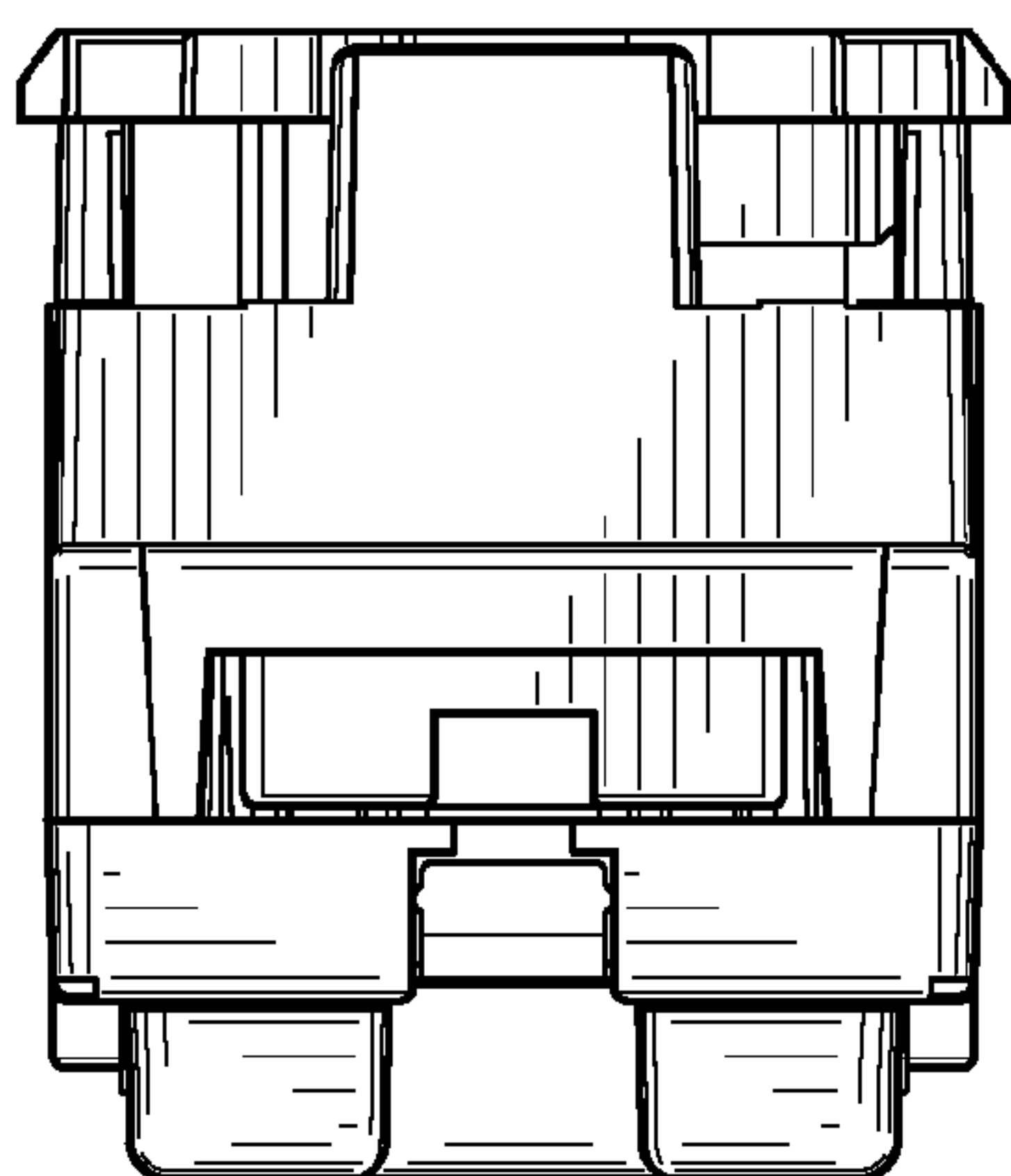


FIG. 2

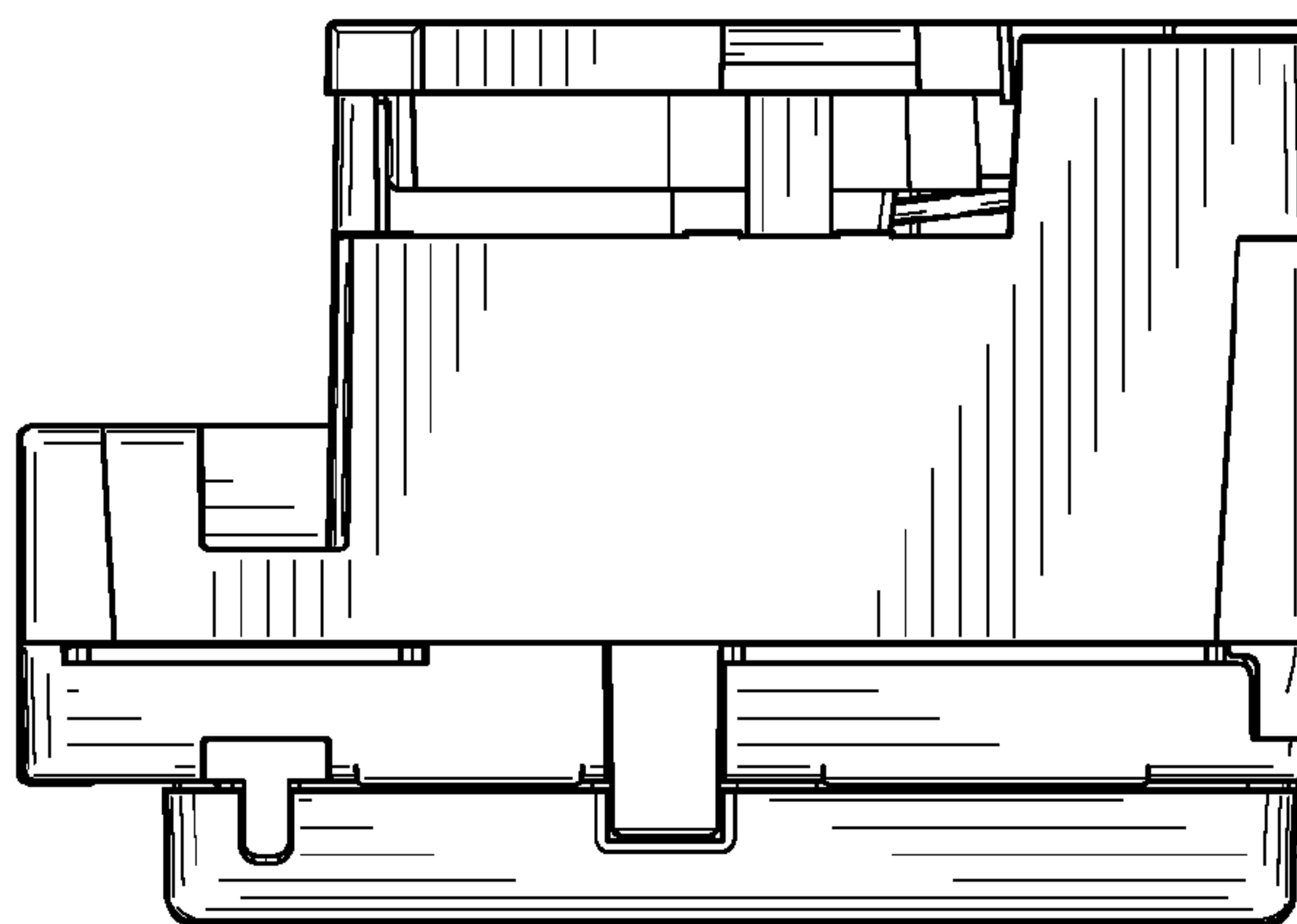


FIG. 3

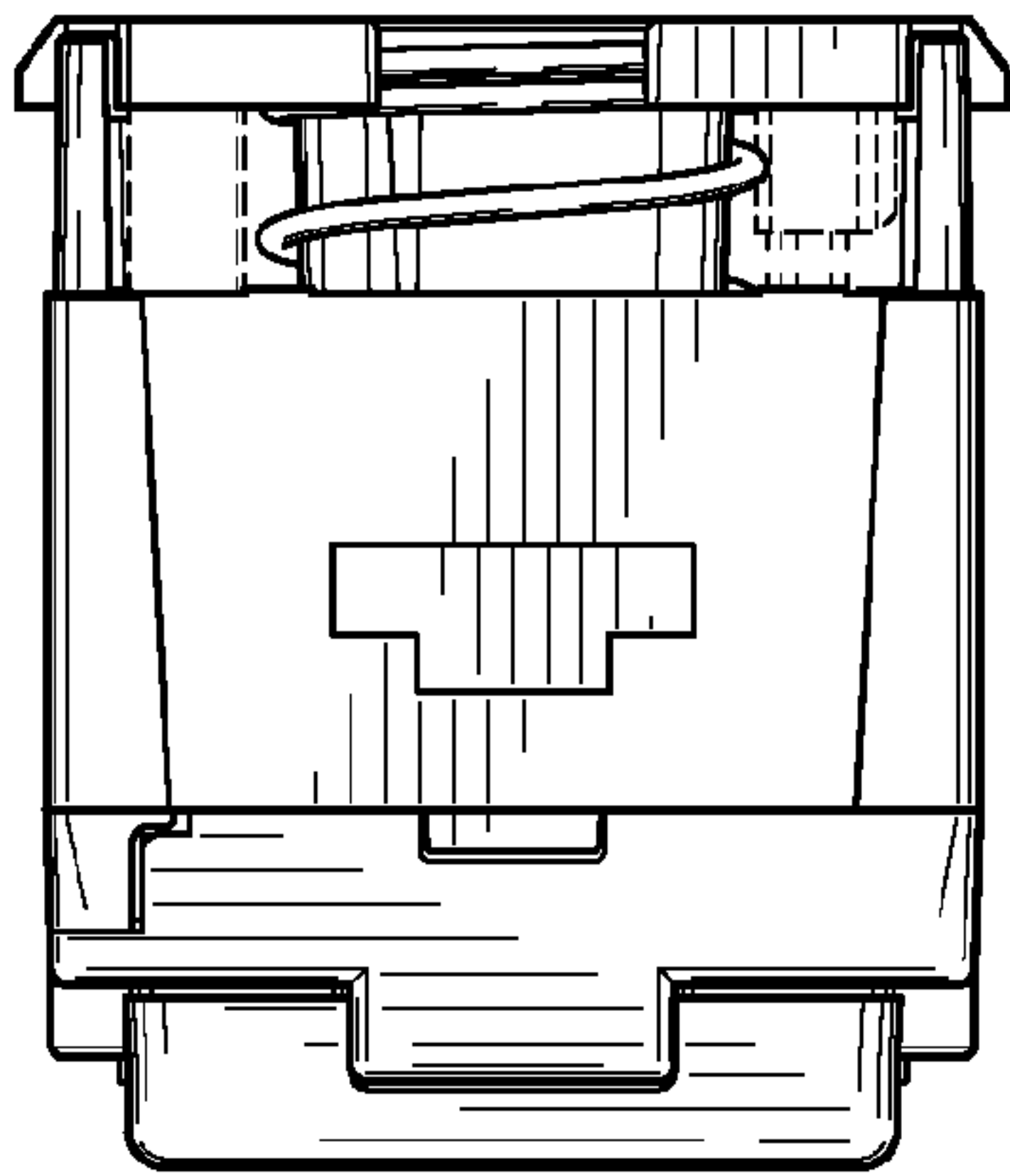


FIG. 4

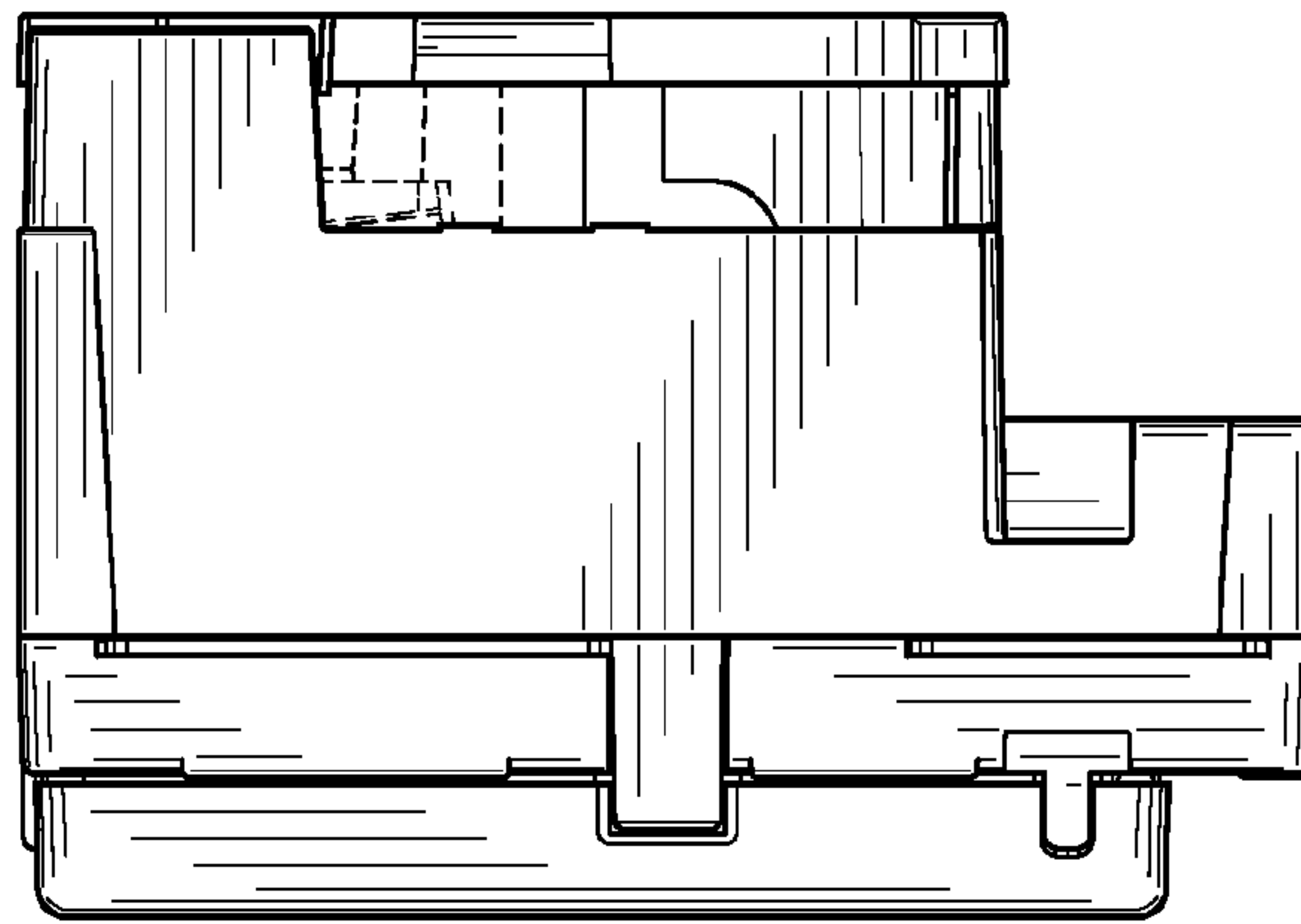


FIG. 5

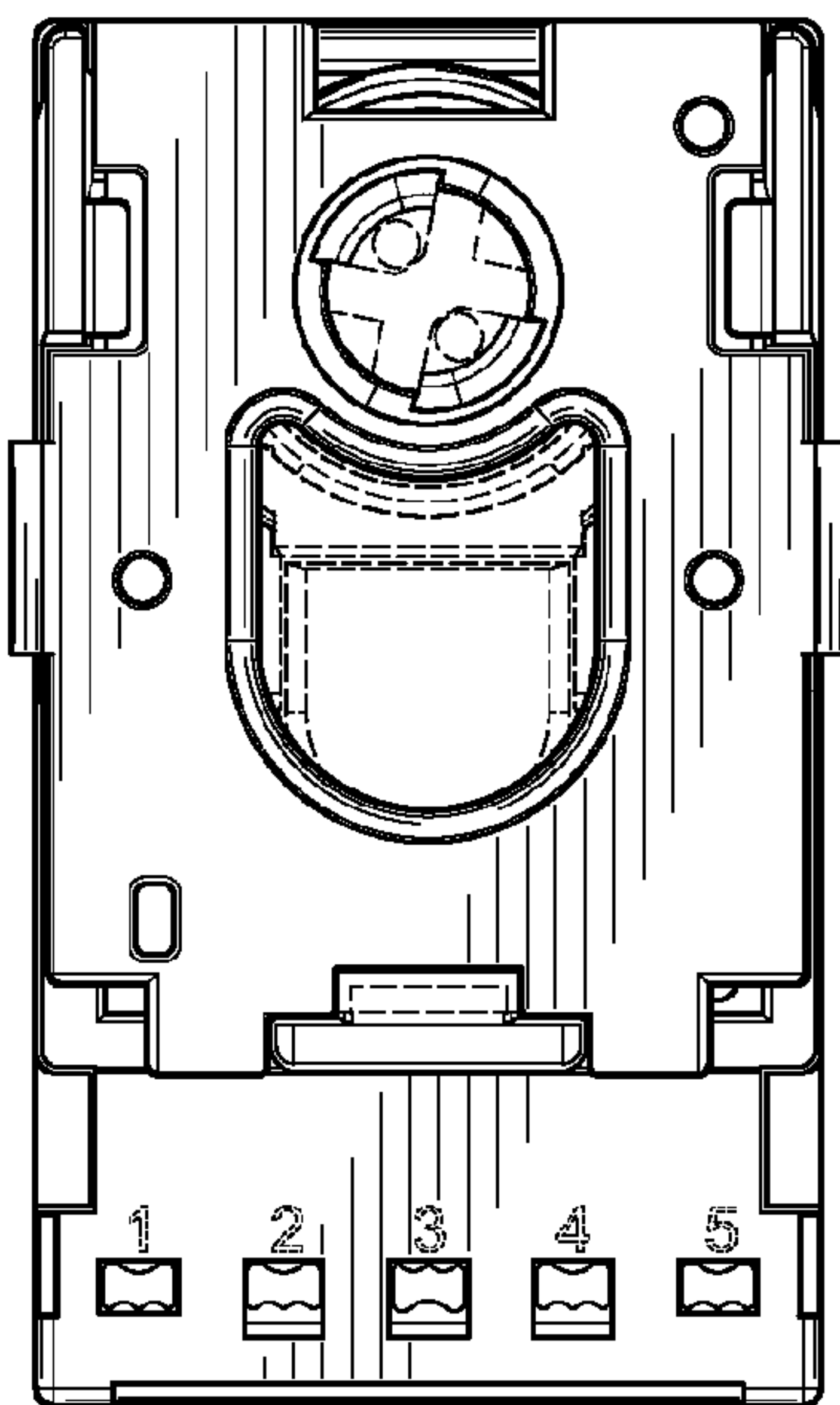


FIG. 6

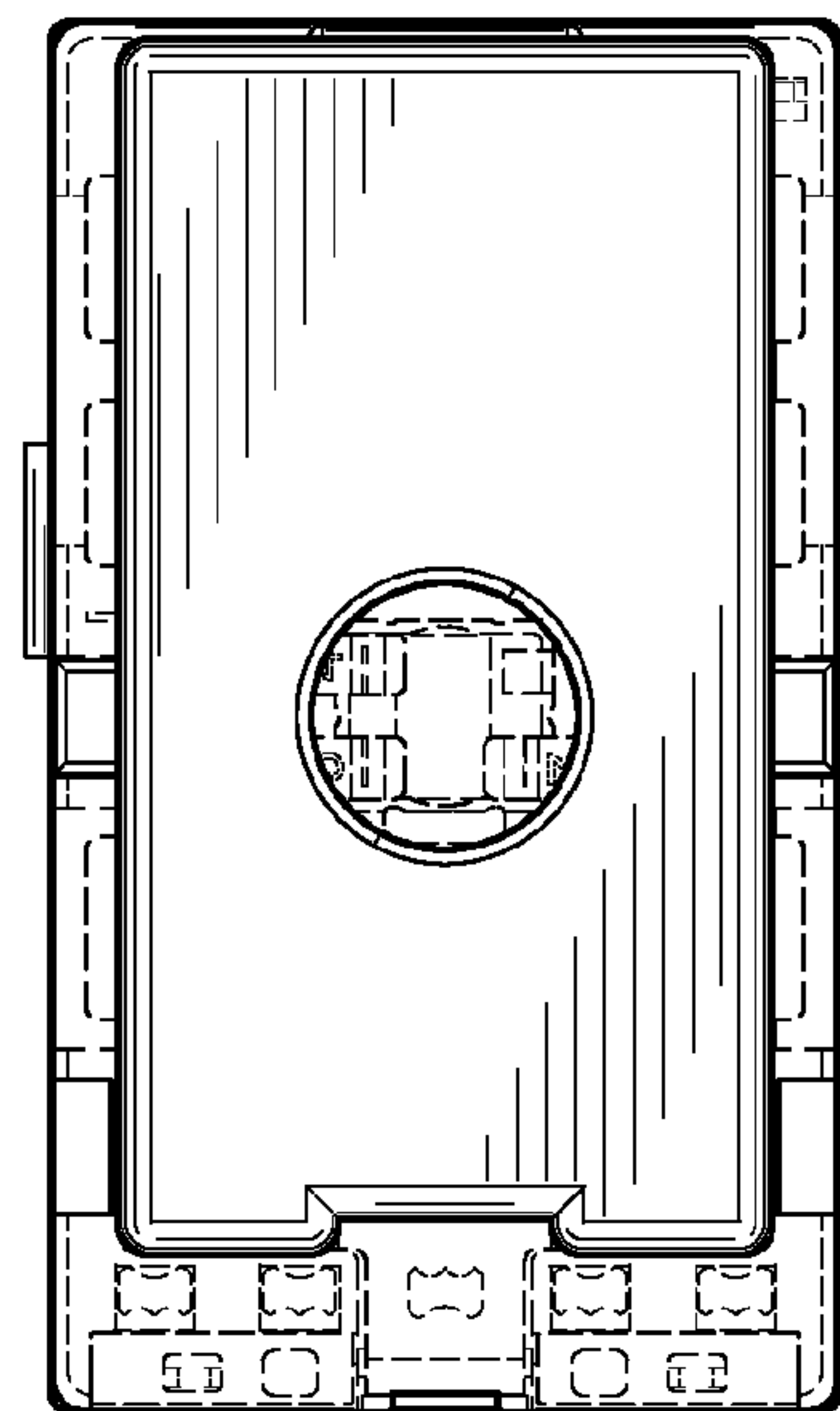


FIG. 7