



US00D691962S

(12) **United States Design Patent**
Liang

(10) **Patent No.:** **US D691,962 S**

(45) **Date of Patent:** **** Oct. 22, 2013**

(54) **HOLDOUT TUBE**

D531,708 S * 11/2006 Wagner et al. D23/266
D570,293 S * 6/2008 Cunius D13/153
D623,772 S * 9/2010 Vaes et al. D25/136

(75) Inventor: **Thomas Liang**, Tongluo Township,
Miaoli County (TW)

* cited by examiner

(73) Assignee: **Chardon Taiwan Corporation**, Miaoli
County (TW)

Primary Examiner — Derrick Holland

Assistant Examiner — Lauren Calve

(**) Term: **14 Years**

(74) *Attorney, Agent, or Firm* — Ming Chow; Sinorica, LLC

(21) Appl. No.: **29/387,827**

(57) **CLAIM**

I claim the ornamental design for a holdout tube, as shown
and described.

(22) Filed: **Mar. 18, 2011**

(51) **LOC (9) Cl.** **13-03**

(52) **U.S. Cl.**
USPC **D13/155**

DESCRIPTION

(58) **Field of Classification Search**
USPC D13/146, 147, 149, 153, 154, 155, 156,
D13/157, 158, 160, 173, 184, 199; 138/118,
138/120, 121, 122, 123, 128, 155, 178;
174/34, 355; D8/356, 364; D25/119,
D25/136; 428/121

FIG. 1 is a front perspective view of a holdout tube showing
my new design;
FIG. 2 is a front elevational view thereof;
FIG. 3 is a rear elevational view thereof;
FIG. 4 is a left side elevational view thereof;
FIG. 5 is a right side elevational view thereof;
FIG. 6 is a top plan view thereof;
FIG. 7 is a bottom plan view thereof; and,
FIG. 8 is a perspective view of the holdout tube in an alternate
configuration, shown in its environment.

See application file for complete search history.

The broken line showing in FIG. 8 represents unclaimed
subject matter and forms no part of the claimed design.

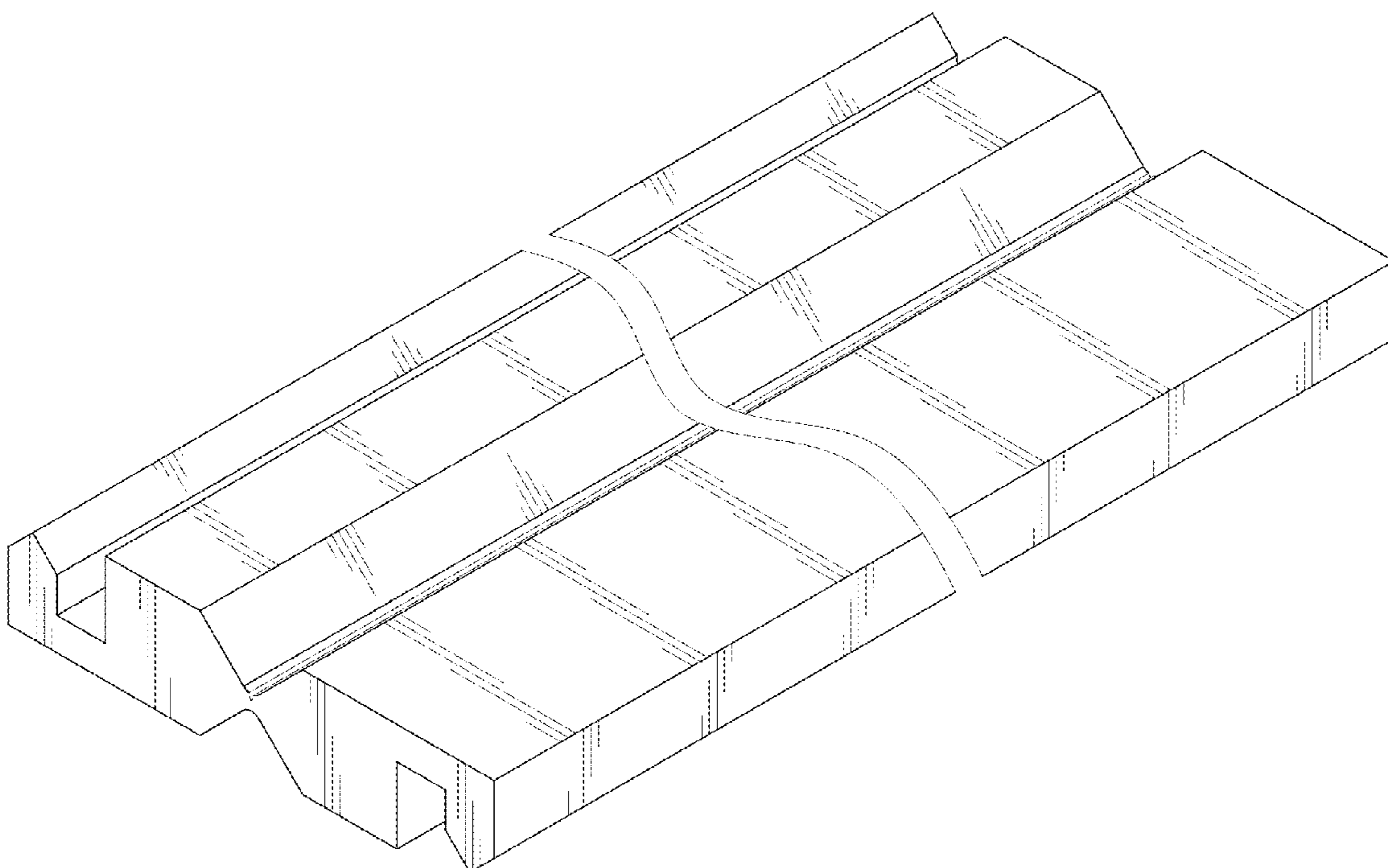
(56) **References Cited**

U.S. PATENT DOCUMENTS

D152,753 S * 2/1949 Stone D13/199
D175,586 S * 9/1955 Cataldo D13/155
RE24,613 E * 3/1959 Hageltorn 428/121
D239,493 S * 4/1976 Vihma D25/119
6,488,053 B1 * 12/2002 Tadokoro 138/156
D506,444 S * 6/2005 Nakamura D13/153

The holdout tube is shown broken to represent indeterminate
length. The indeterminate portion of the article forms no part
of the claim design. Patentability is based only on those
portions of the holdout tube that are shown in solid lines.

1 Claim, 6 Drawing Sheets



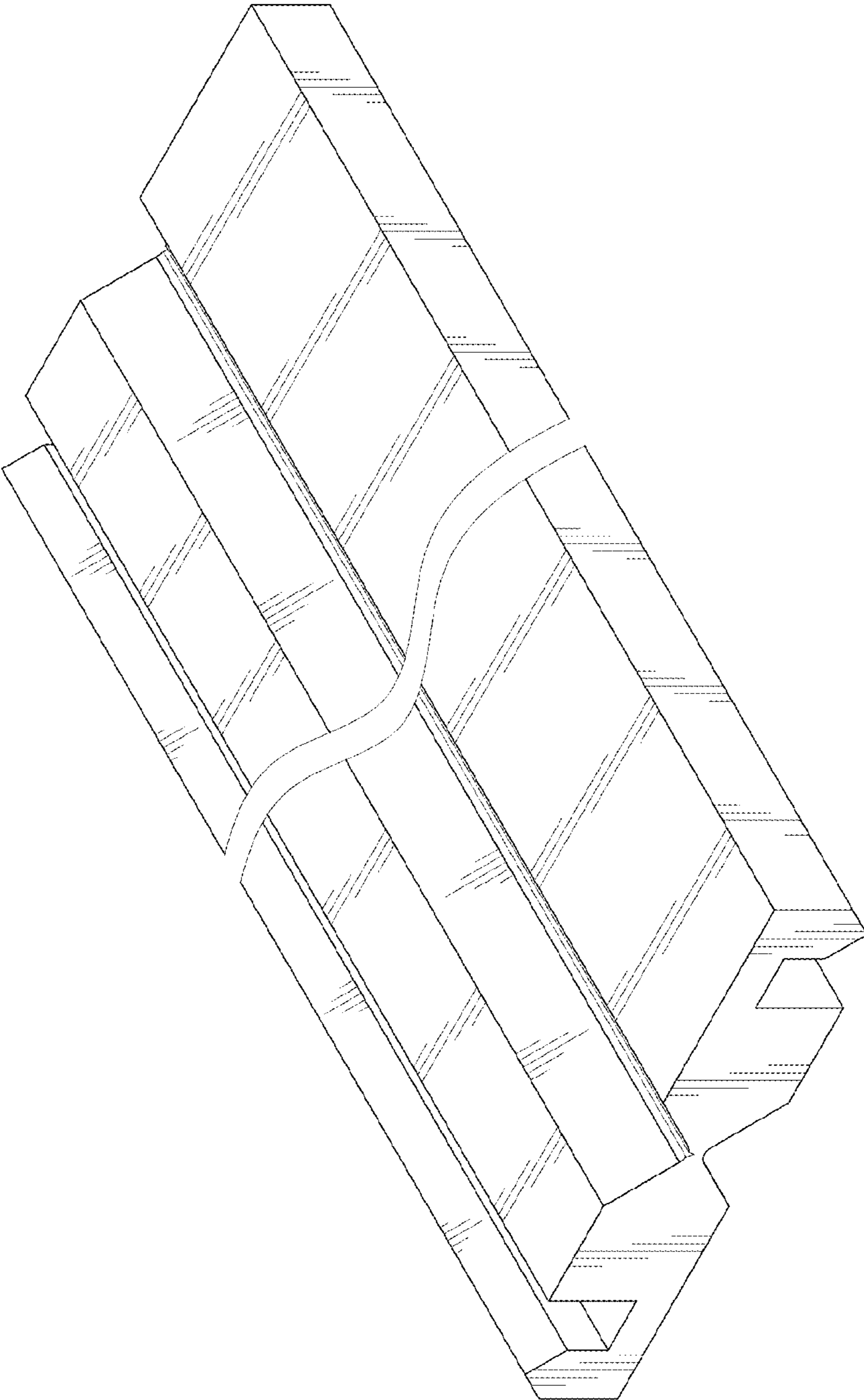


FIG. 1

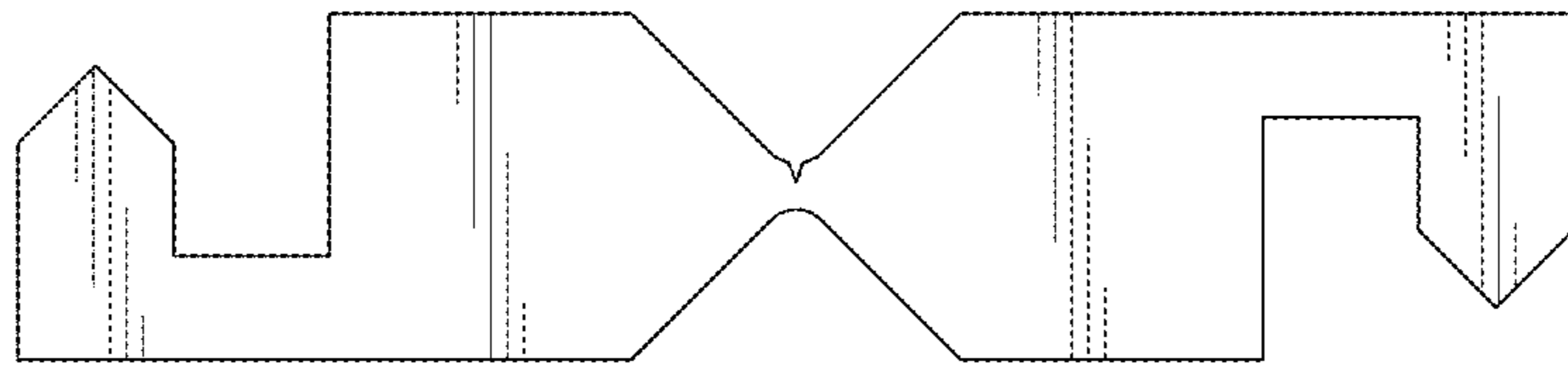


FIG. 2

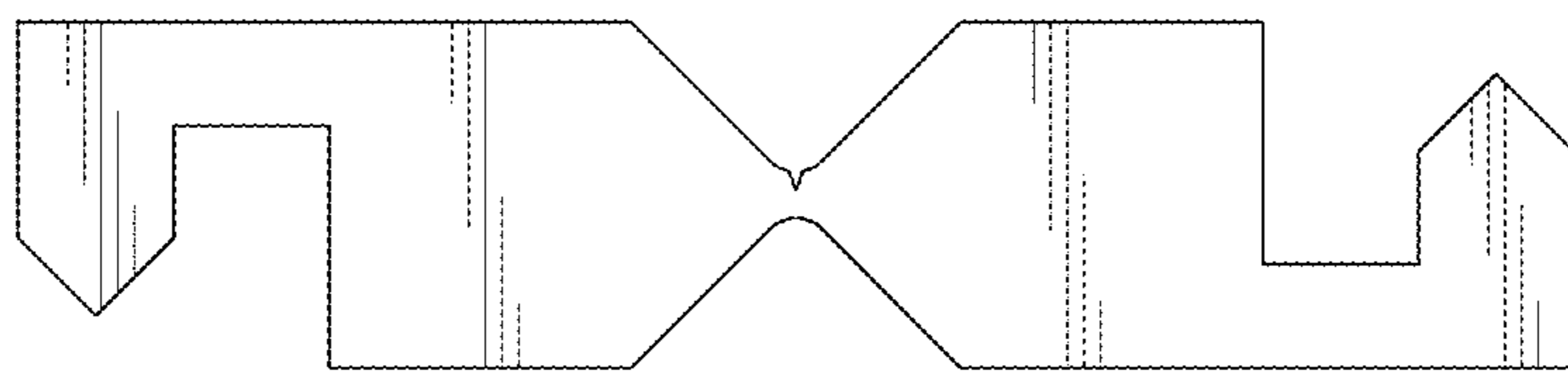


FIG. 3

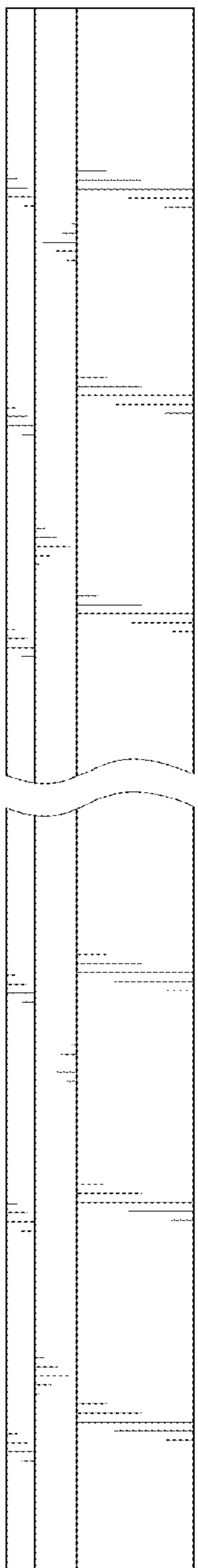


FIG. 4

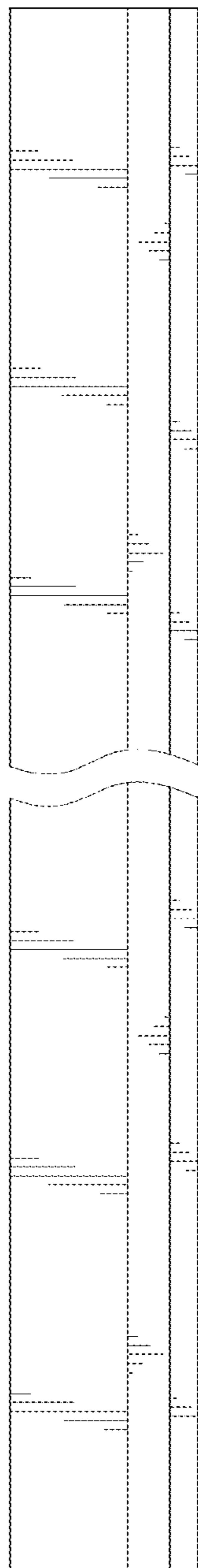


FIG. 5

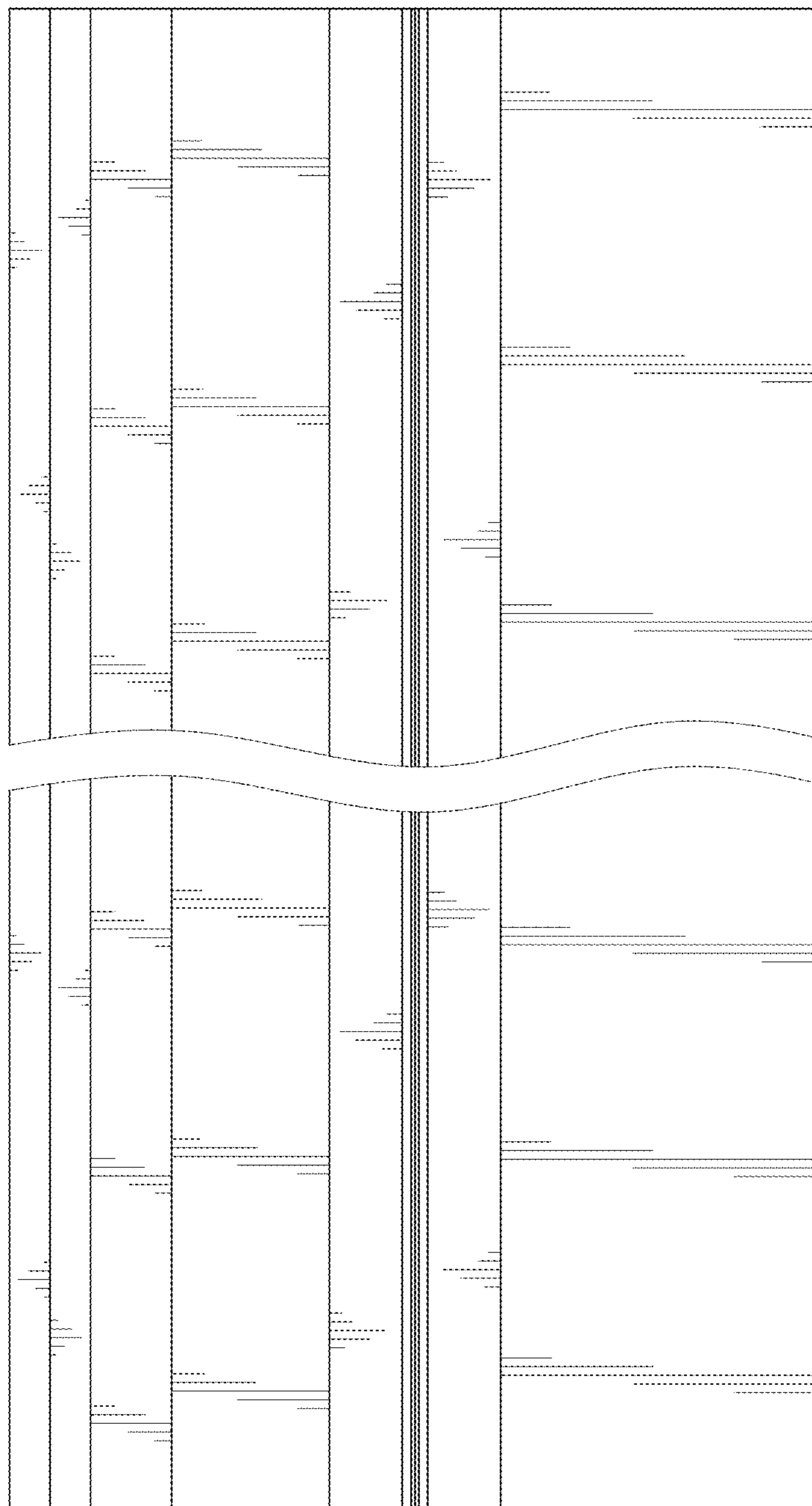


FIG. 6

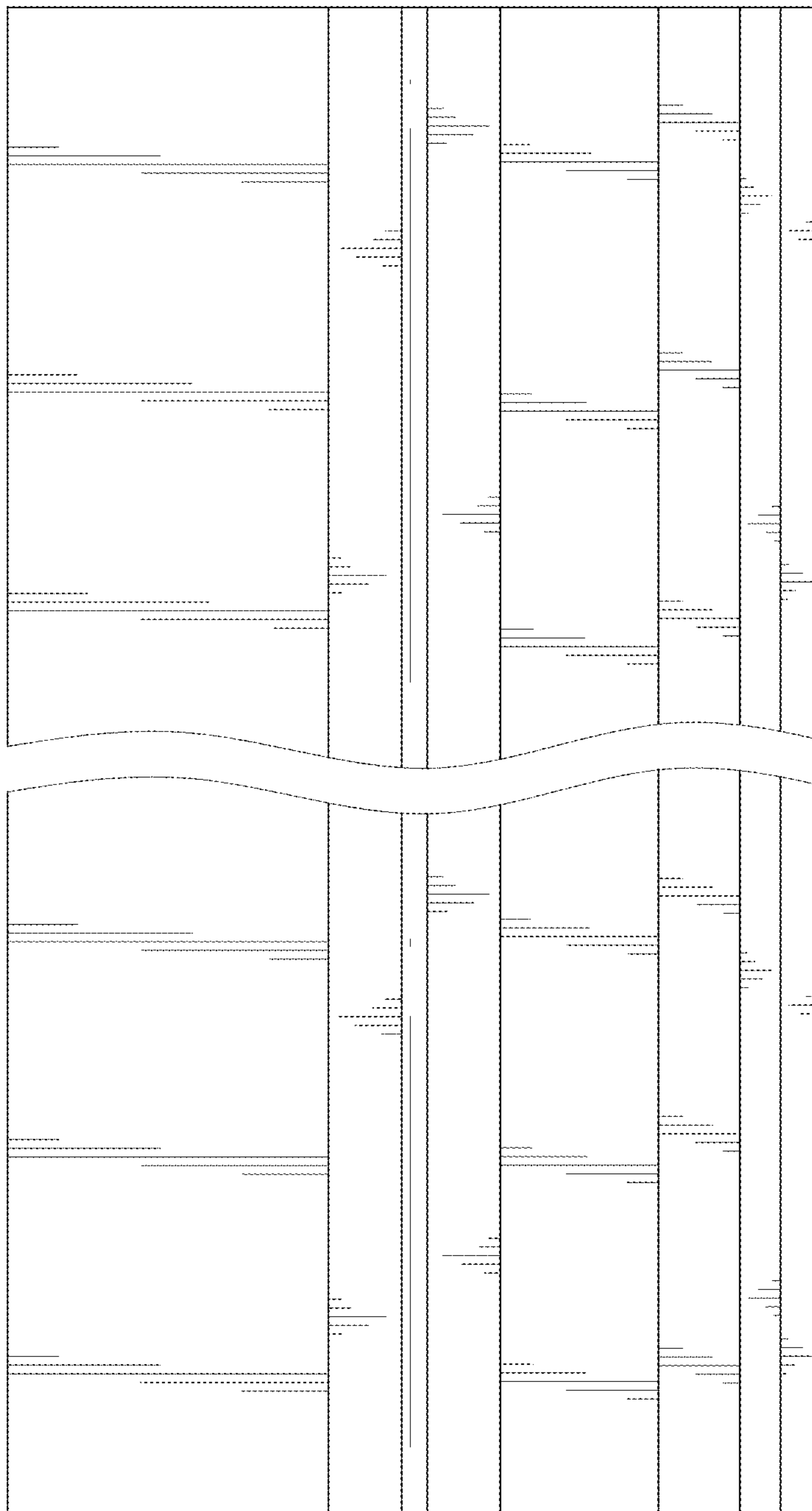


FIG. 7

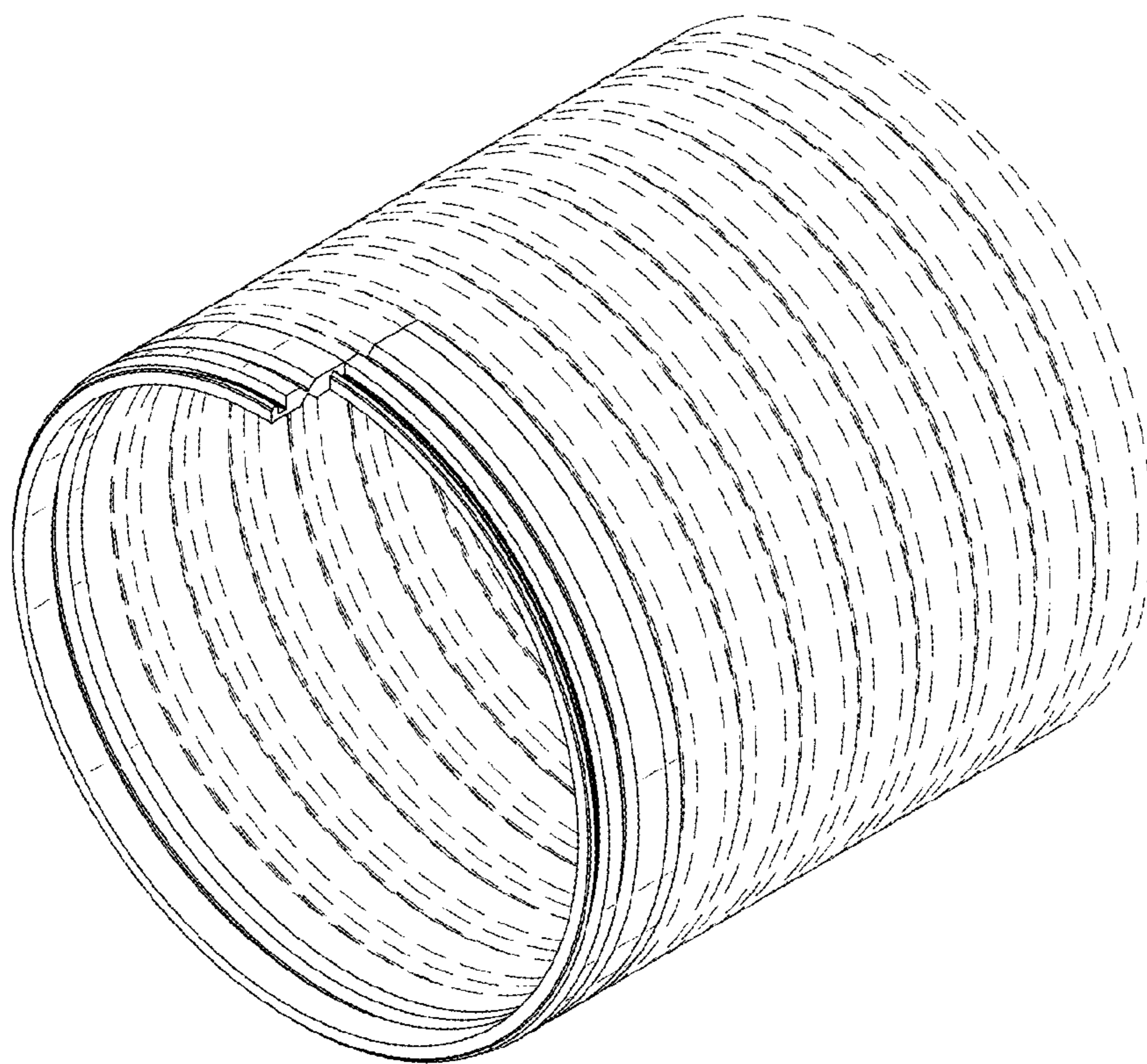


FIG. 8