



US00D691955S

(12) **United States Design Patent**  
**Lee et al.**

(10) **Patent No.:** **US D691,955 S**  
(45) **Date of Patent:** **\*\* Oct. 22, 2013**

(54) **ADAPTER FOR AN AUTOMOBILE POWER  
OUTLET**

(71) Applicant: **JMTEK, LLC**, Kent, WA (US)

(72) Inventors: **Kyu Bong Lee**, Tacoma, WA (US); **Tai  
Yiu Ly**, Kent, WA (US)

(73) Assignee: **JMTEK, LLC**, Kent, WA (US)

(\*\*) Term: **14 Years**

(21) Appl. No.: **29/439,167**

(22) Filed: **Dec. 7, 2012**

(51) **LOC (9) Cl.** ..... **13-03**

(52) **U.S. Cl.**  
USPC ..... **D13/144**

(58) **Field of Classification Search**  
USPC ..... D13/144, 101, 107, 108, 110, 118, 119,  
D13/133, 184, 199; D14/155, 432, 434,  
D14/435.1, 356, 480.1, 480.7; 320/107,  
320/108, 109, 110, 111, 112, 113, 114,  
320/115; 439/300, 620.01, 638, 668, 669,  
439/675, 825; 363/146

See application file for complete search history.

(56) **References Cited**

**U.S. PATENT DOCUMENTS**

D492,249 S \* 6/2004 Suomalainen et al. .... D13/108  
D494,542 S \* 8/2004 Hriscu et al. .... D13/110  
D525,938 S \* 8/2006 Seil et al. .... D13/144  
D554,585 S \* 11/2007 Nazar ..... D13/110  
7,679,322 B1 \* 3/2010 Griffin ..... 320/114

D620,441 S \* 7/2010 Hou ..... D13/144  
D624,879 S \* 10/2010 Chan ..... D13/144  
D626,072 S \* 10/2010 Tseng et al. .... D13/144  
D631,837 S \* 2/2011 Smith et al. .... D13/108  
D639,238 S \* 6/2011 Serrano ..... D13/110

\* cited by examiner

*Primary Examiner* — Derrick Holland

(74) *Attorney, Agent, or Firm* — DWC Law Firm, P.S.;  
David Chen

(57) **CLAIM**

The ornamental design for an adapter for an automobile  
power outlet, as shown and described.

**DESCRIPTION**

FIG. 1 is a front perspective view of the adapter for an auto-  
mobile power outlet of the present disclosure.

FIG. 2 is a top plan view of the adapter for an automobile  
power outlet of FIG. 1.

FIG. 3 is a bottom plan view of the adapter for an automobile  
power outlet of FIG. 1.

FIG. 4 is front side elevation view of the adapter for an  
automobile power outlet of FIG. 1.

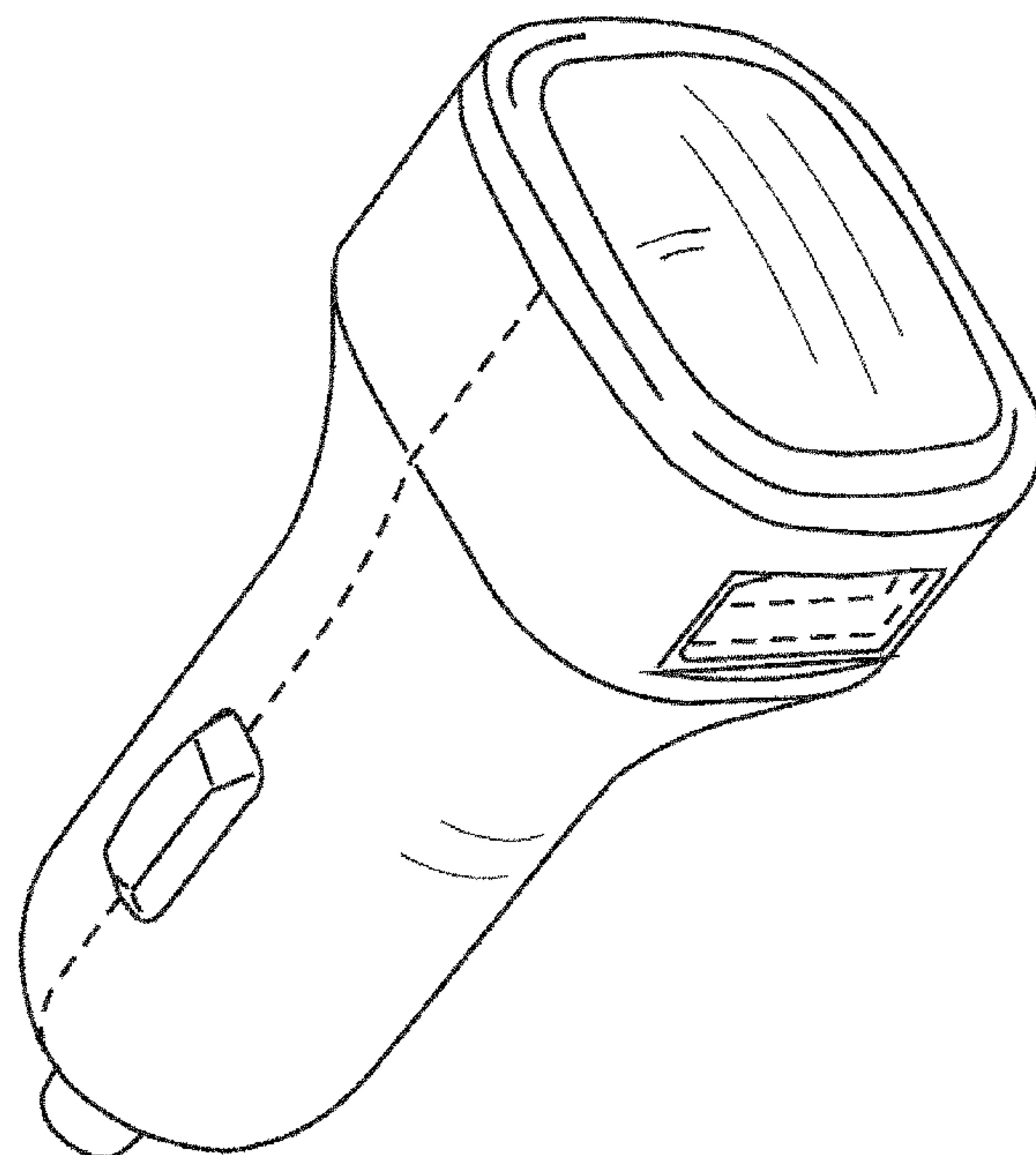
FIG. 5 is back side elevation view of the adapter for an  
automobile power outlet of FIG. 1.

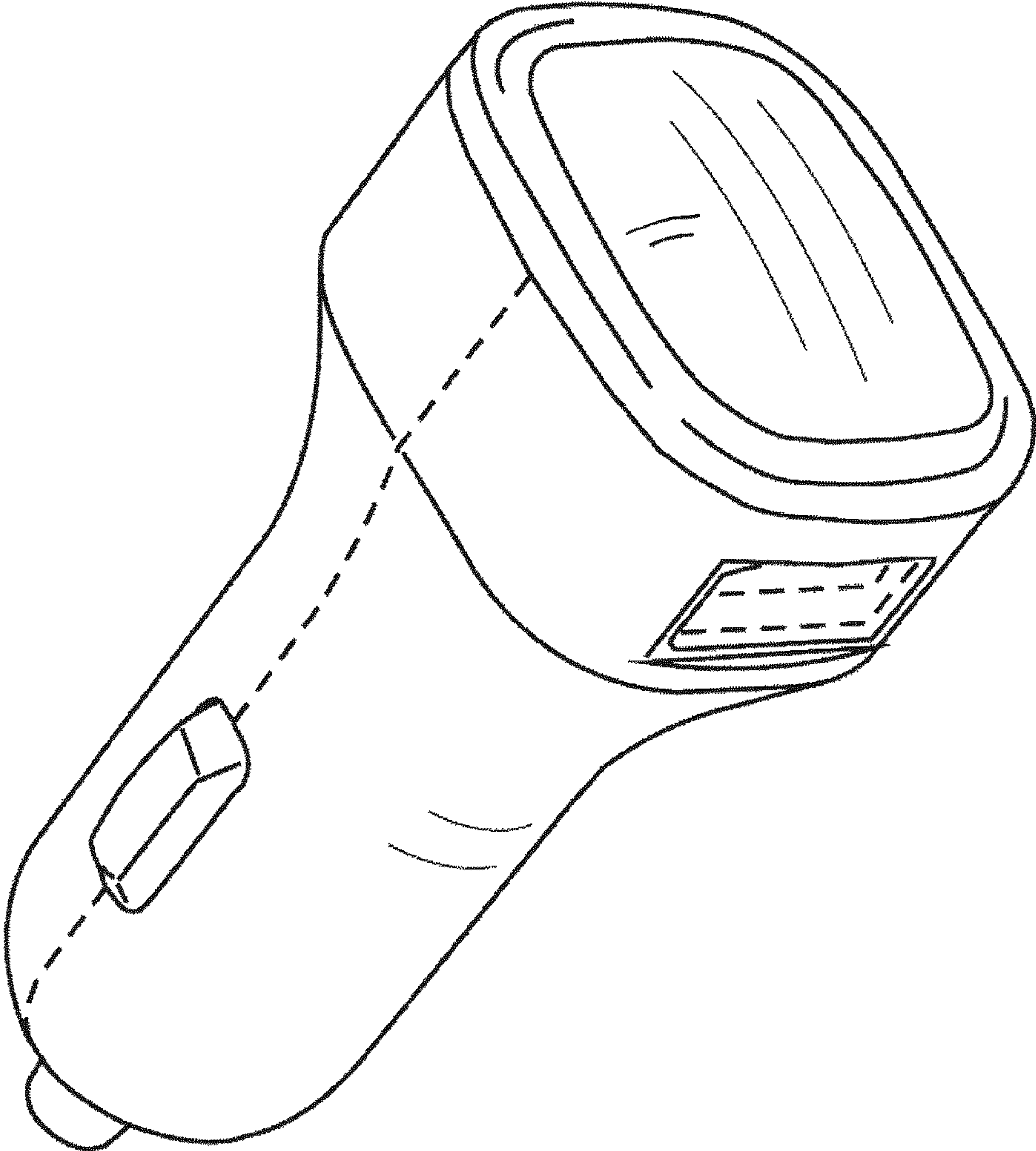
FIG. 6 is right side elevation view of the adapter for an  
automobile power outlet of FIG. 1; and,

FIG. 7 is left side elevation view of the adapter for an auto-  
mobile power outlet of FIG. 1.

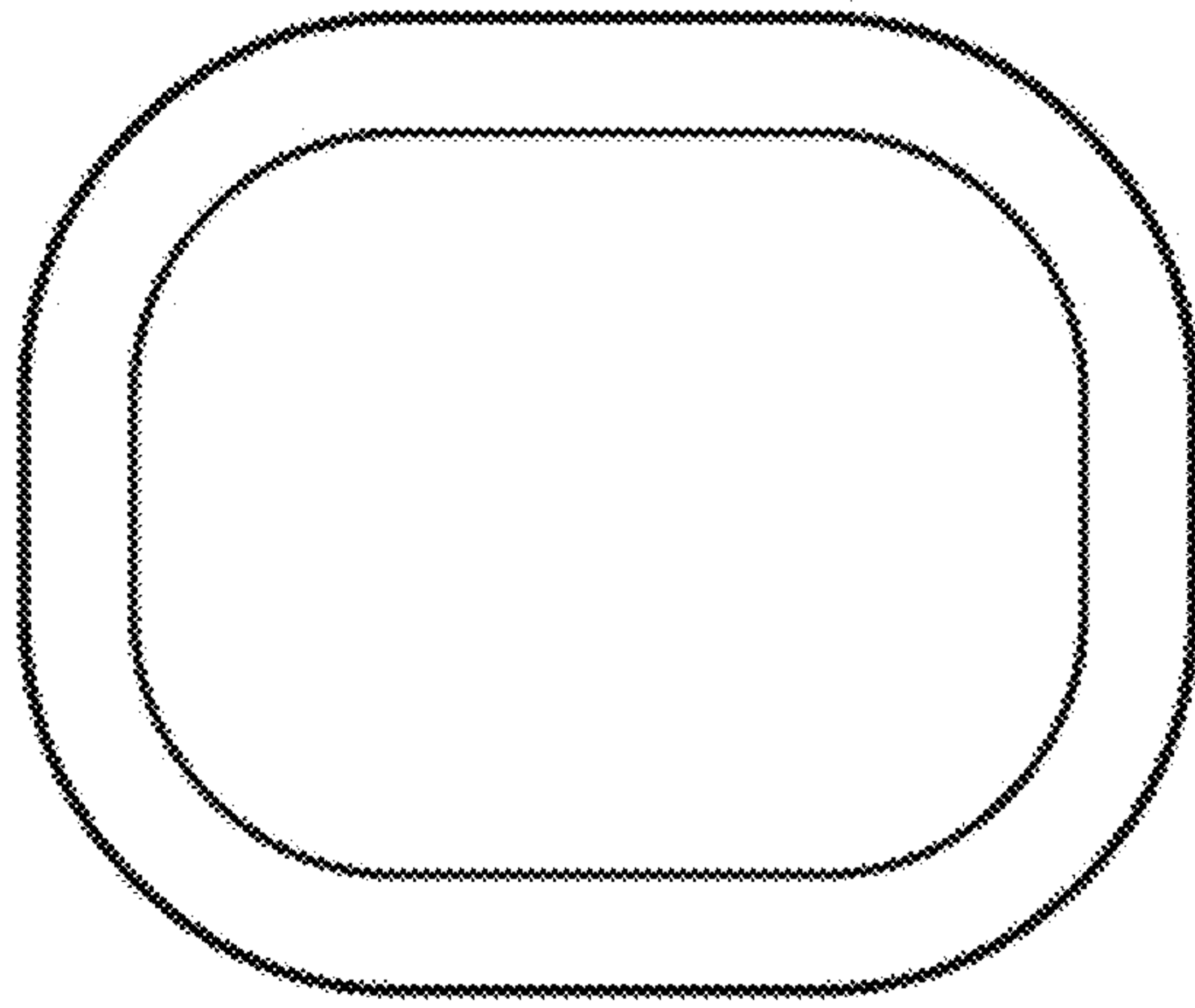
The broken lines shown in the drawings are included for the  
purposes of illustrating unclaimed portions of the adapter for  
an automobile power outlet and form no part of the claimed  
design.

**1 Claim, 7 Drawing Sheets**

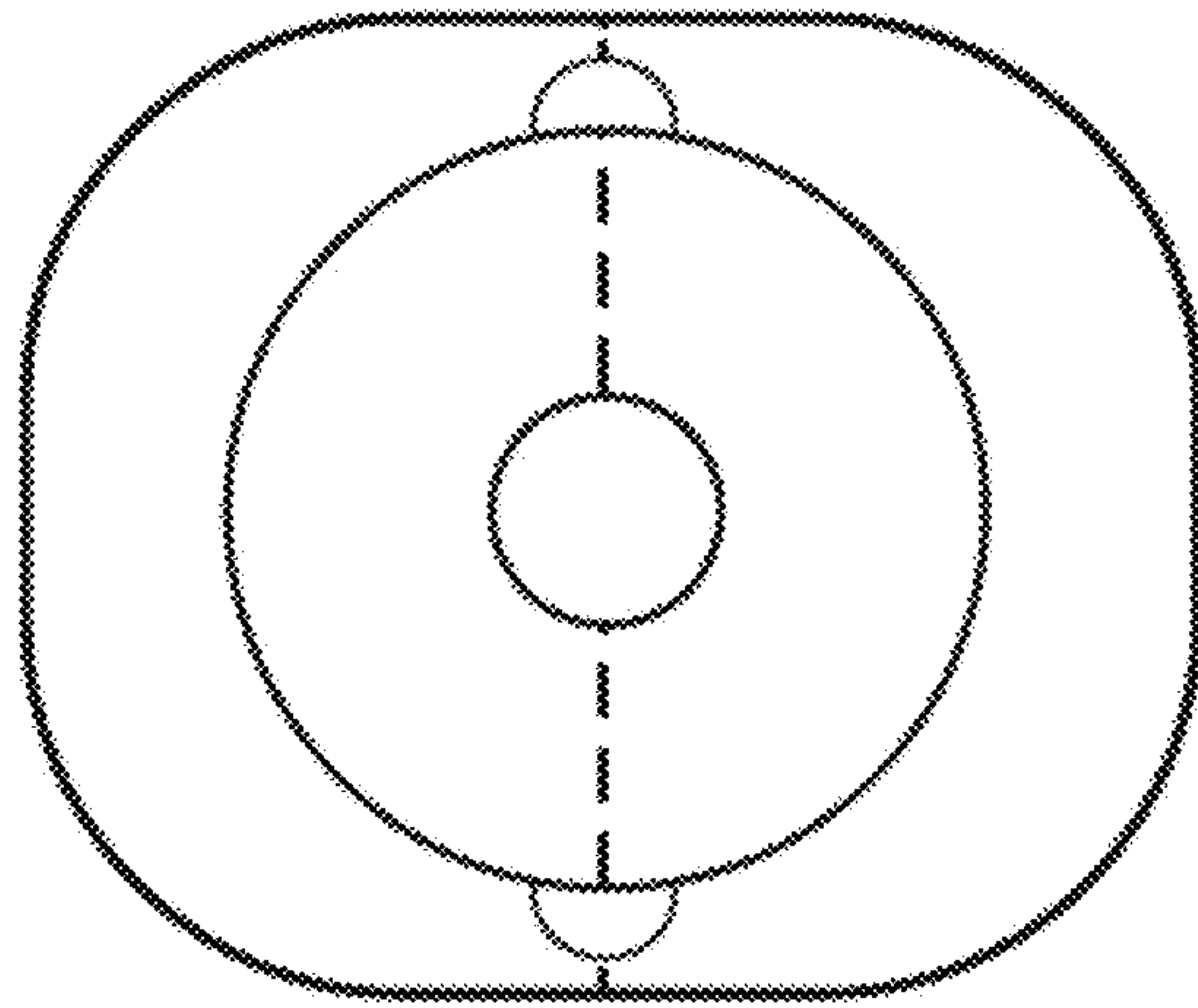




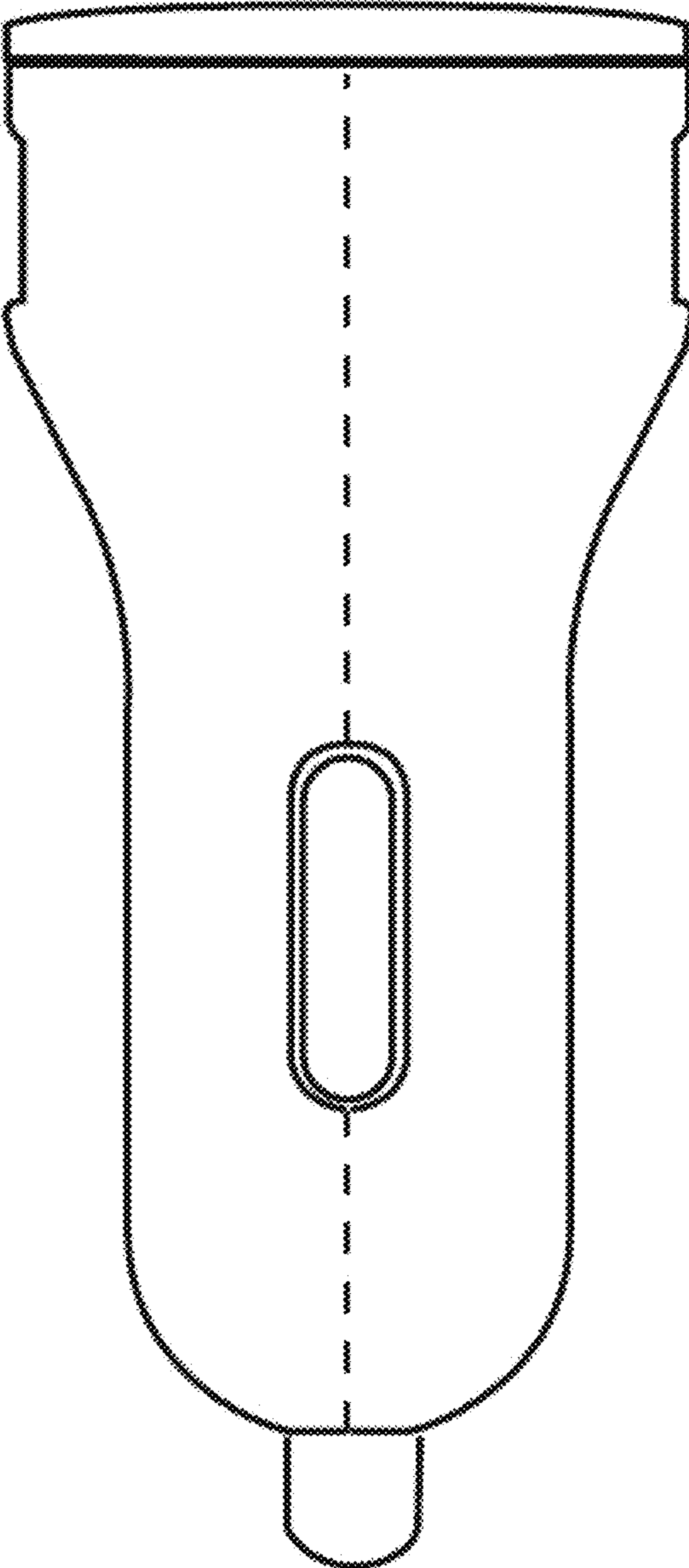
**FIG 1**



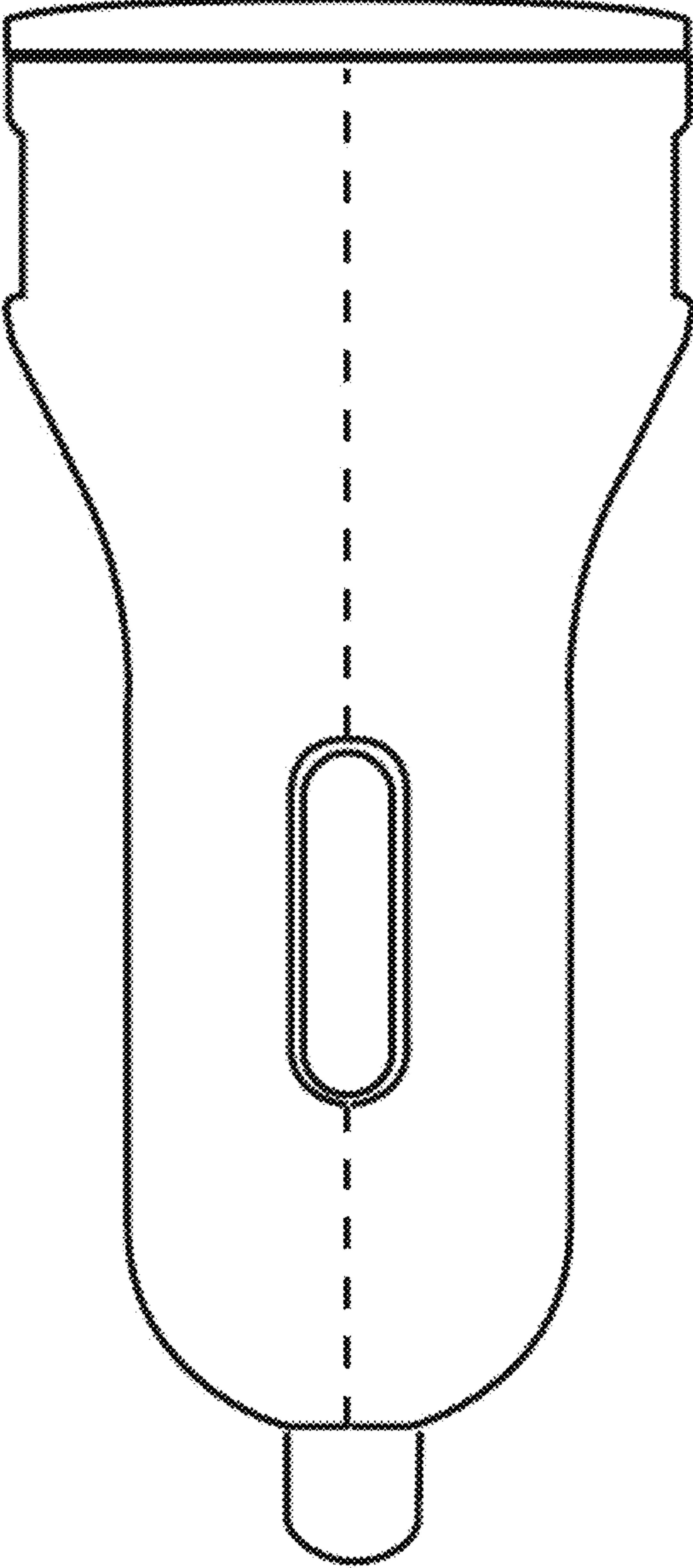
**FIG 2**



**FIG 3**

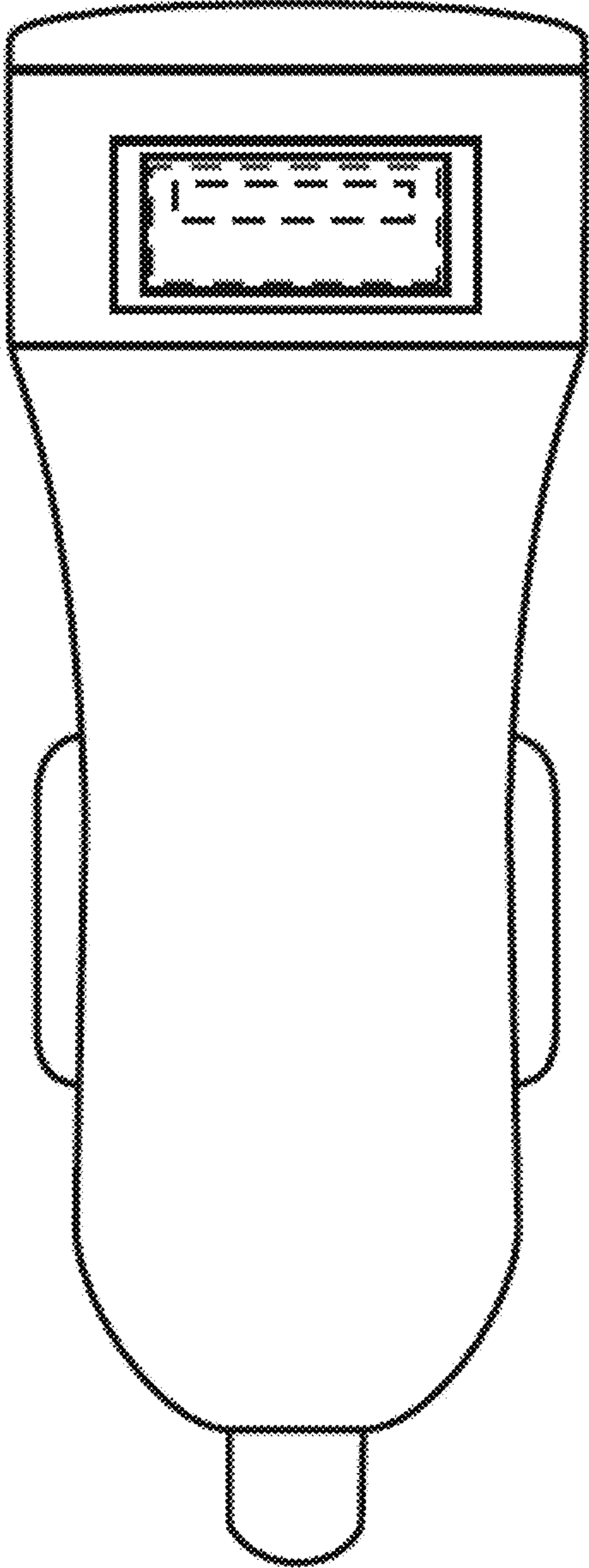


**FIG 4**

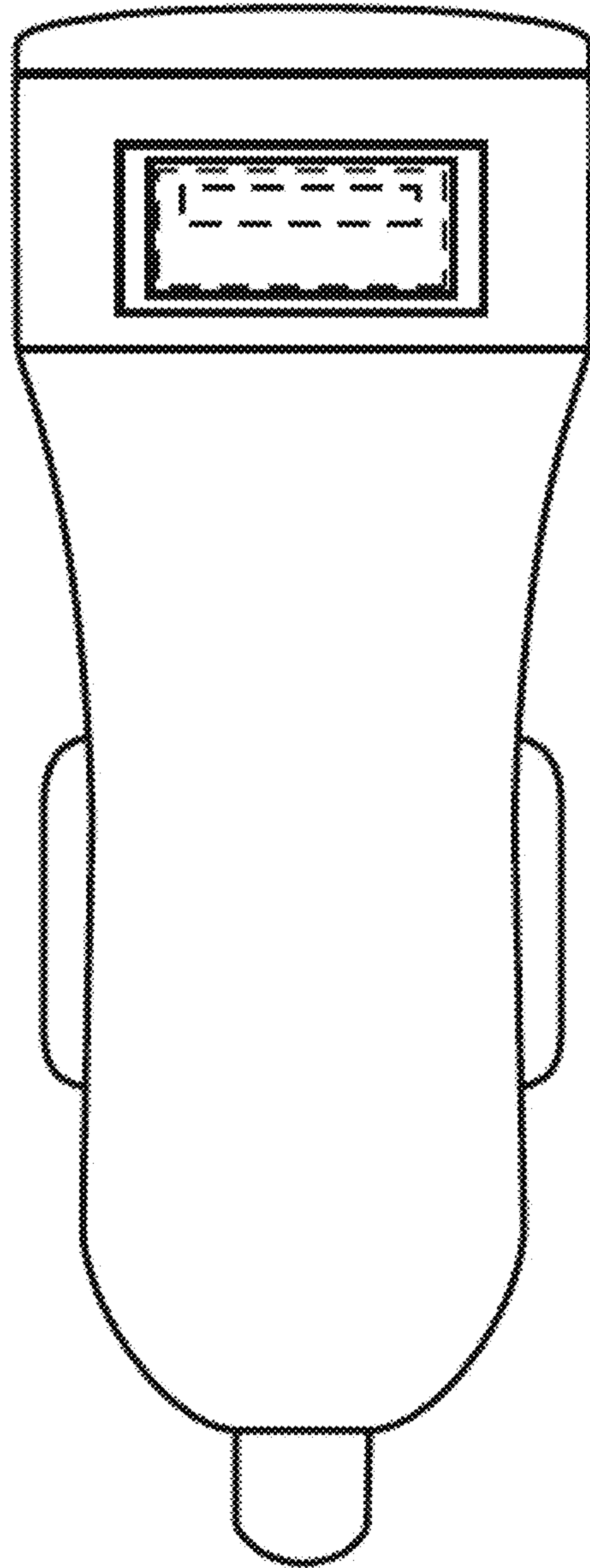


**FIG 5**





**FIG 6**



**FIG 7**