



US00D691953S

(12) **United States Design Patent**  
**Chayer**

(10) **Patent No.:** **US D691,953 S**

(45) **Date of Patent:** **\*\* Oct. 22, 2013**

(54) **POWER STAND**

(76) Inventor: **Steven Chayer**, Seatac, WA (US)

(\*\*) Term: **14 Years**

(21) Appl. No.: **29/423,461**

(22) Filed: **May 31, 2012**

(51) **LOC (9) Cl.** ..... **13-03**

(52) **U.S. Cl.**  
USPC ..... **D13/139.4**

(58) **Field of Classification Search**  
USPC ..... D13/152, 137.1, 139.6, 139.5, 139.8,  
D13/162, 156, 171, 158, 170, 177, 138.2,  
D13/138.1, 139.2, 137.3, 139.1, 139.4;  
174/66, 37-38; 200/5 A, 5 R, 1 B;  
338/201-202; 361/118, 602, 622, 641,  
361/644, 660, 679.05

See application file for complete search history.

(56) **References Cited**

**U.S. PATENT DOCUMENTS**

D52,628 S *	11/1918	Bissell	.....	D13/134
D126,590 S *	4/1941	Lewin	.....	D13/139.4
D235,555 S *	6/1975	Plummer	.....	D13/152
D244,465 S *	5/1977	Stoneman	.....	D13/139.4
D426,520 S *	6/2000	Goins	.....	D13/139.2
D534,869 S *	1/2007	Stekelenburg	.....	D13/139.1
8,030,892 B2 *	10/2011	Fang et al.	.....	320/115
D671,545 S *	11/2012	Guran	.....	D14/447

2005/0007066 A1 *	1/2005	Long et al.	.....	320/107
2012/0081842 A1 *	4/2012	Ewing et al.	.....	361/622
2012/0289081 A1 *	11/2012	Izzard	.....	439/535

**OTHER PUBLICATIONS**

<http://ploogn.com/tag/alternative/> searched RMS Jun. 20, 2013.\*

\* cited by examiner

*Primary Examiner* — Robert M Spear

*Assistant Examiner* — Rhea Shields

(74) *Attorney, Agent, or Firm* — QuickPatents; Kevin Prince

(57) **CLAIM**

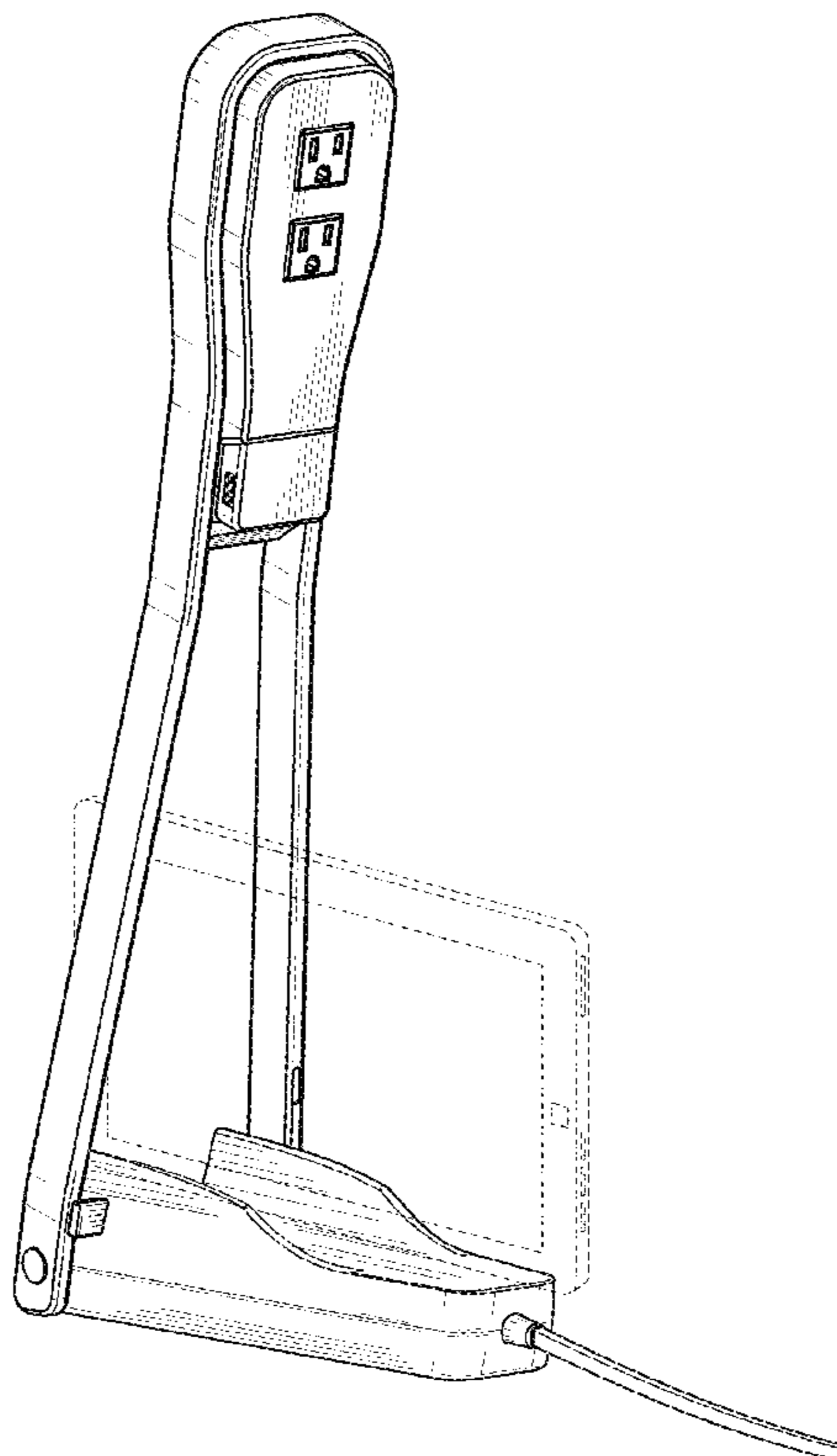
I claim the ornamental design for a power stand, as shown and described.

**DESCRIPTION**

FIG. 1 is a perspective view of a power stand, showing my new design in a raised position;  
FIG. 2 is a rear elevational view thereof;  
FIG. 3 is a front elevational view thereof;  
FIG. 4 is a left-side elevational view thereof, the right-side elevational view being a mirror image thereof;  
FIG. 5 is a top plan view thereof;  
FIG. 6 is a bottom plan view thereof;  
FIG. 7 is a perspective view thereof, illustrated in a lowered position; and,  
FIG. 8 is a top plan view of FIG. 7.

The broken lines showing a portable electronic device in FIG. 1 depict environmental matter and form no part of the claimed design.

**1 Claim, 6 Drawing Sheets**



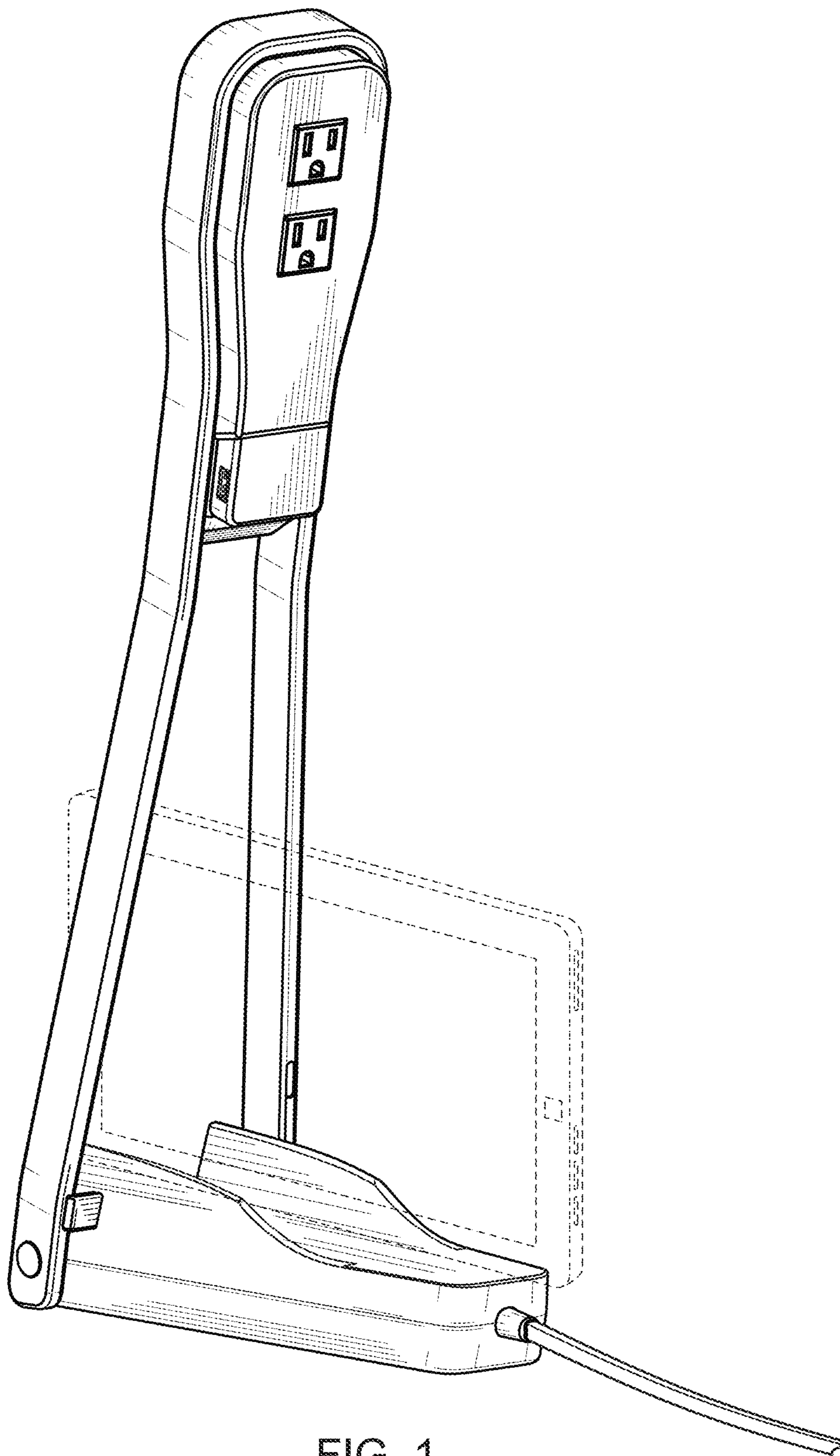


FIG. 1

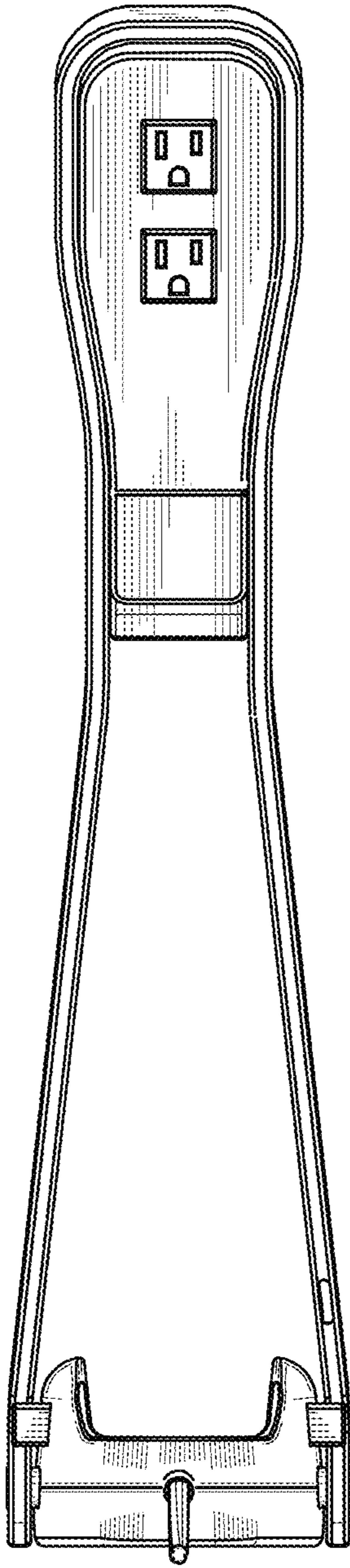


FIG. 2

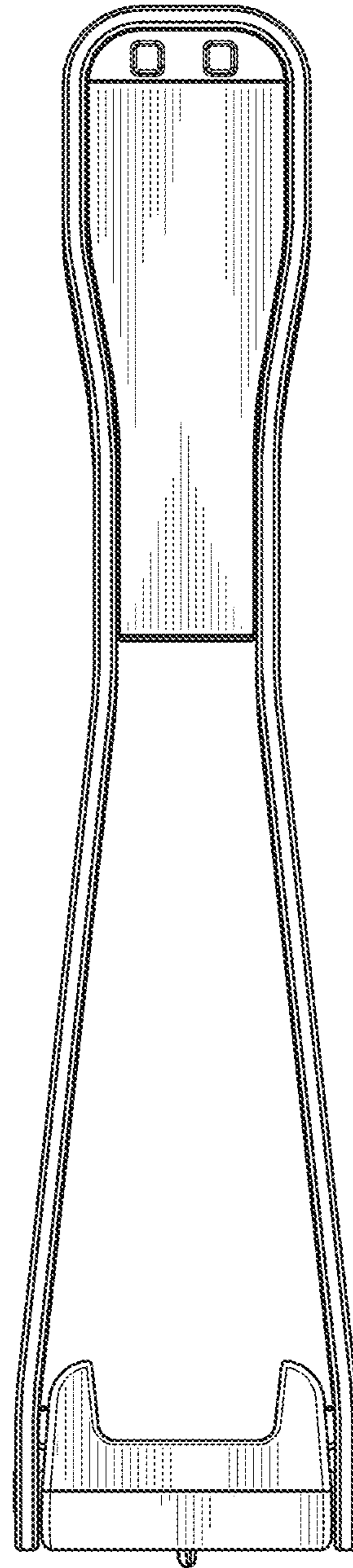


FIG. 3

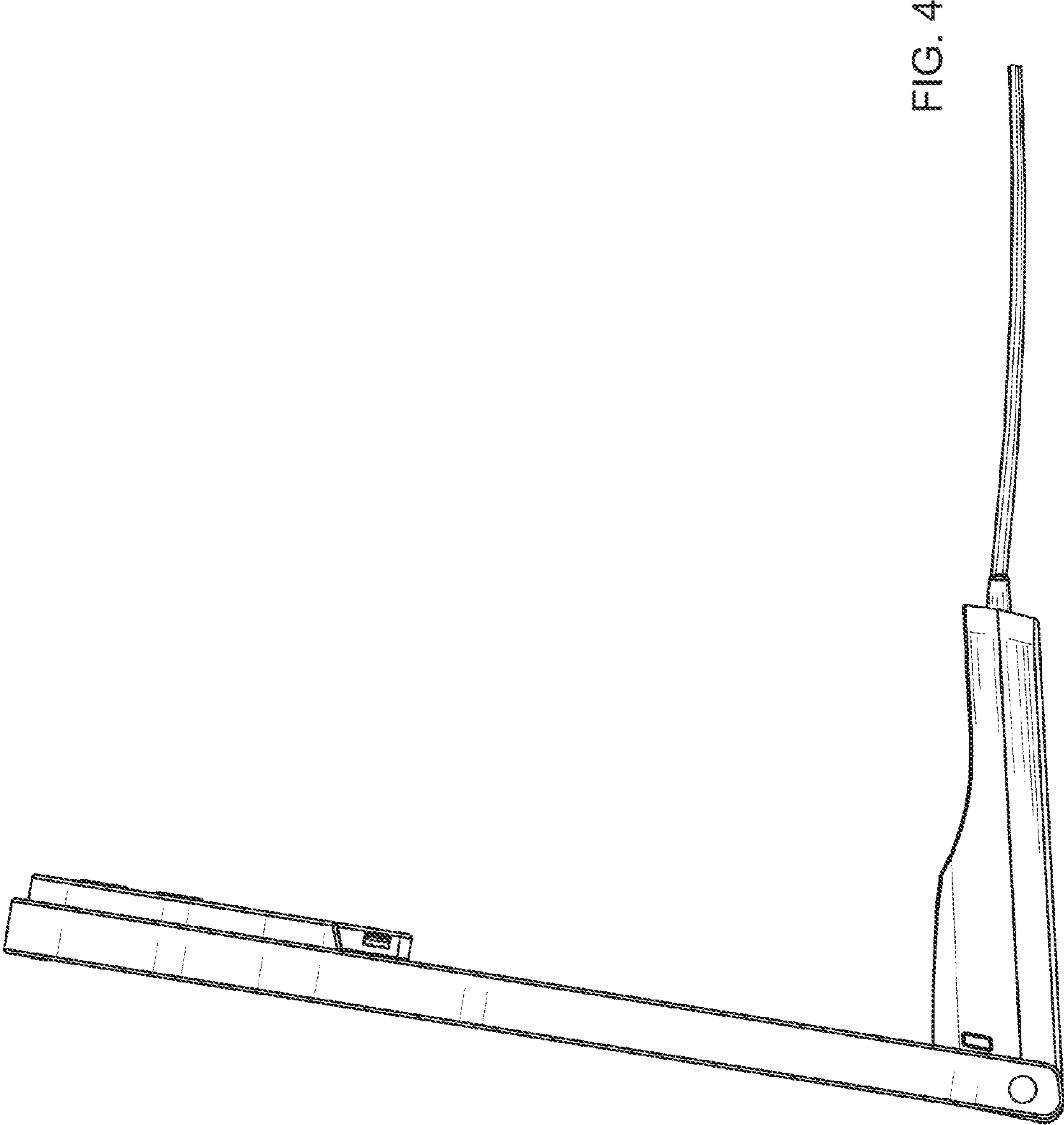


FIG. 4

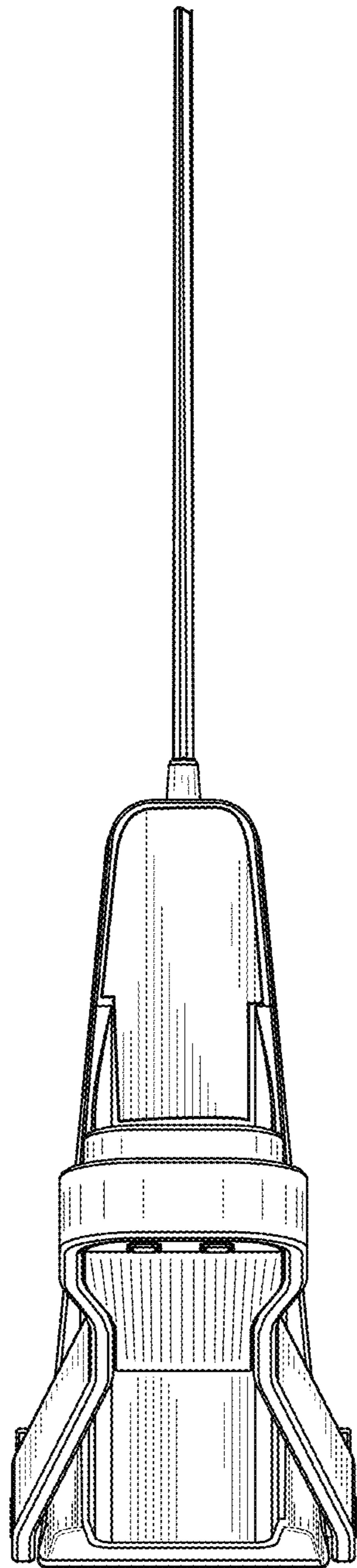


FIG. 5

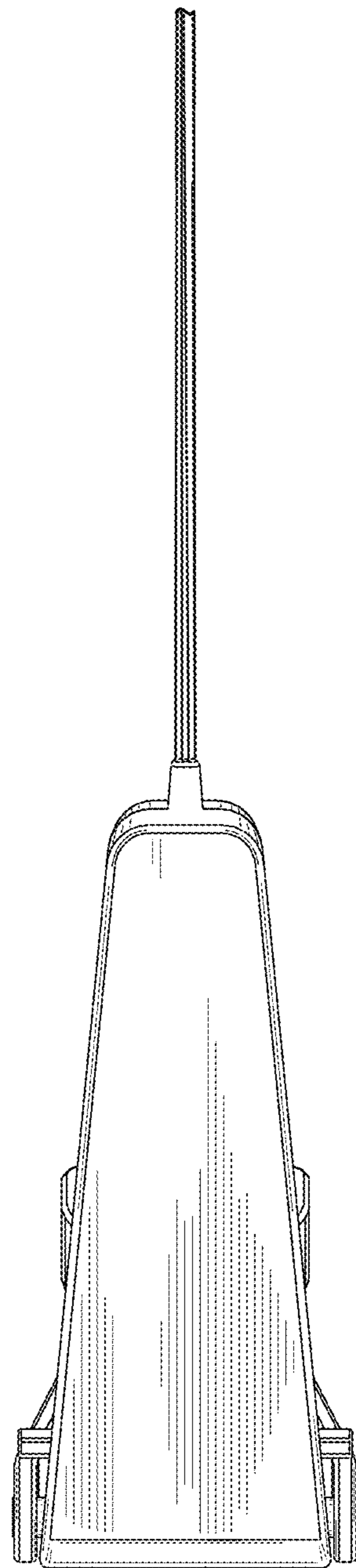


FIG. 6

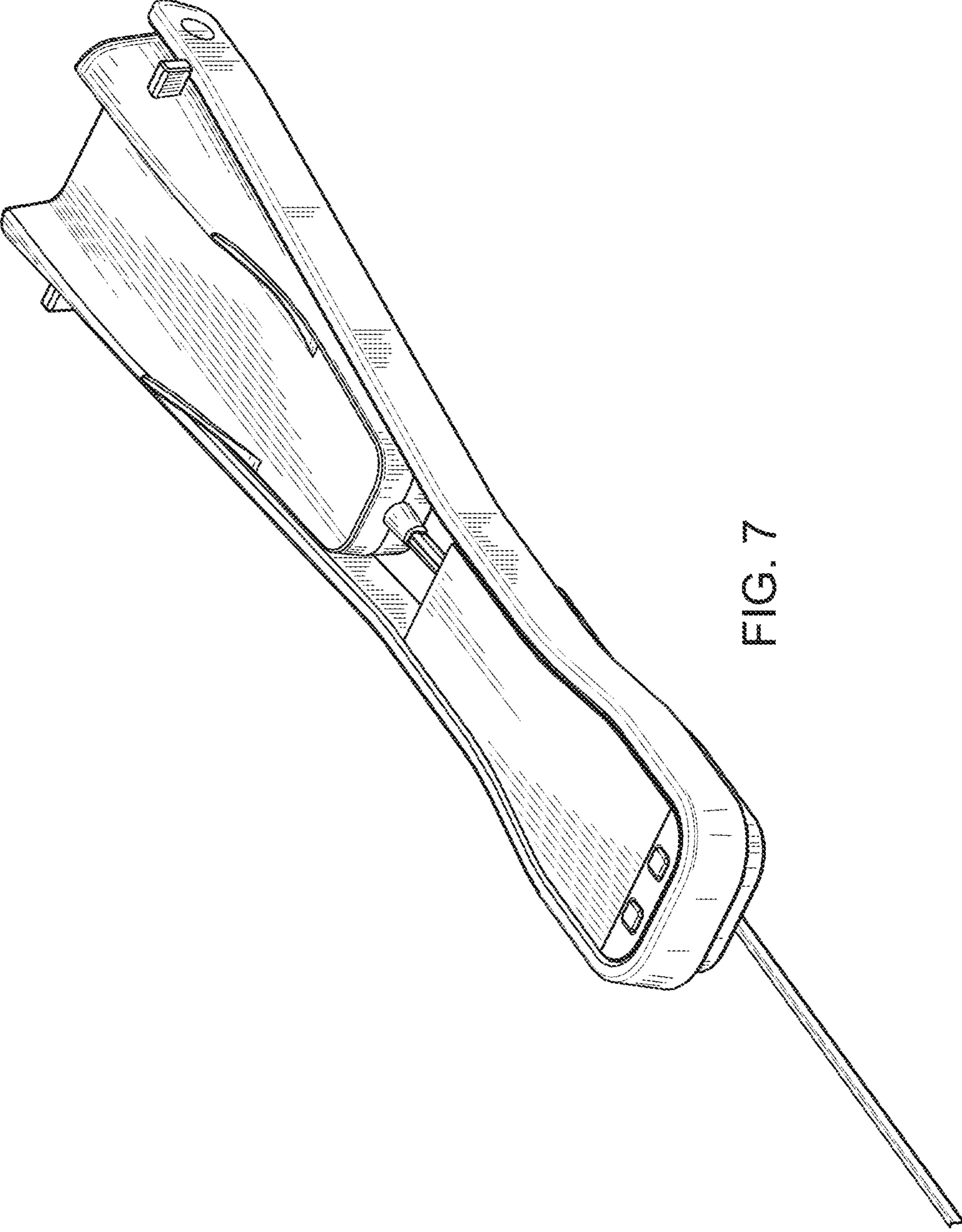


FIG. 7

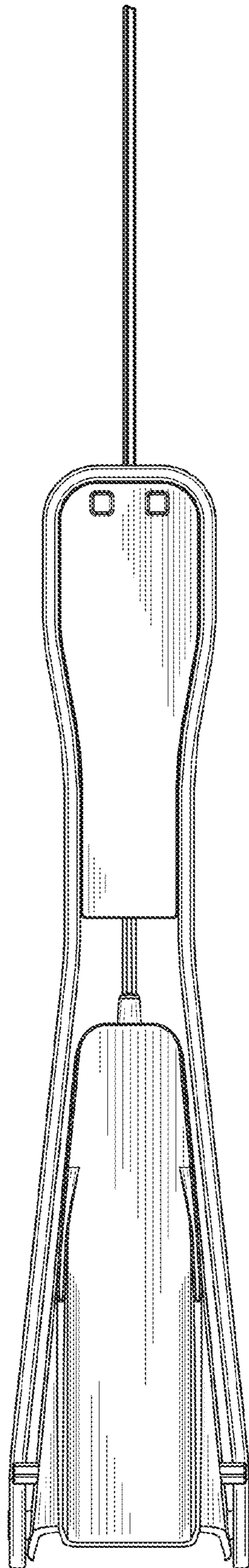


FIG. 8