

US00D691952S

(12) **United States Design Patent**
Evers et al.

(10) **Patent No.:** **US D691,952 S**
(45) **Date of Patent:** **** Oct. 22, 2013**

(54) **POWER CABLE**

(75) Inventors: **Maaïke Louise Evers**, San Francisco, CA (US); **Michael Simonian**, San Francisco, CA (US); **Joe Freeman Britt, Jr.**, Los Altos, CA (US)

(73) Assignee: **Google Inc.**, Mountain View, CA (US)

(**) Term: **14 Years**

(21) Appl. No.: **29/425,739**

(22) Filed: **Jun. 26, 2012**

(51) **LOC (9) Cl.** **13-03**

(52) **U.S. Cl.**
USPC **D13/137.4**

(58) **Field of Classification Search**
USPC D9/414, 416, 423, 428, 430-433, 449, D9/455, 444, 501-503, 508, 516, 519, 522, D9/529, 531, 537, 543, 545, 548-52, 554, D9/564, 558, 560, 574, 575, 688-692, D9/737-738, 740, 741, 742, 744, 751, 755, D9/756, 711, 760, 727, 418, 415, 758, 749, D9/499, 456; D24/216; 220/23.87, 23.89, 220/475, 592.05, 592.15, 592.23, 62.18, 220/602, 629; D6/300; D8/403; D13/160
See application file for complete search history.

(56) **References Cited**

U.S. PATENT DOCUMENTS

D416,234 S * 11/1999 Veino et al. D13/160
6,851,961 B2 * 2/2005 Lin 439/221
D610,993 S * 3/2010 Fahrendorff et al. D13/138.1
D611,415 S * 3/2010 Andre et al. D13/138.1

D632,258 S * 2/2011 Sumida D13/153
D637,891 S * 5/2011 Chikiri D8/356
D653,213 S * 1/2012 Andre et al. D13/138.1
2011/0195599 A1 * 8/2011 Ho et al. 439/492

OTHER PUBLICATIONS

<http://www.sweetwater.com/store/detail/iPodPowerUSB>.
http://www.gearlive.com/gallery/image_med/381/.
http://www.pcmag.com/slideshow_viewer/0,3253,1=251813&a=251813&po=8,00.asp.

* cited by examiner

Primary Examiner — Robert M Spear

Assistant Examiner — Rhea Shields

(74) *Attorney, Agent, or Firm* — Morris & Kamlay LLP

(57) **CLAIM**

The ornamental design for a power cable, as shown.

DESCRIPTION

FIG. 1 is a first end view of a power cable including a first connector according our design;

FIG. 2 is a second end view a power cable including a second connector thereof;

FIG. 3 is a side view of the cable thereof;

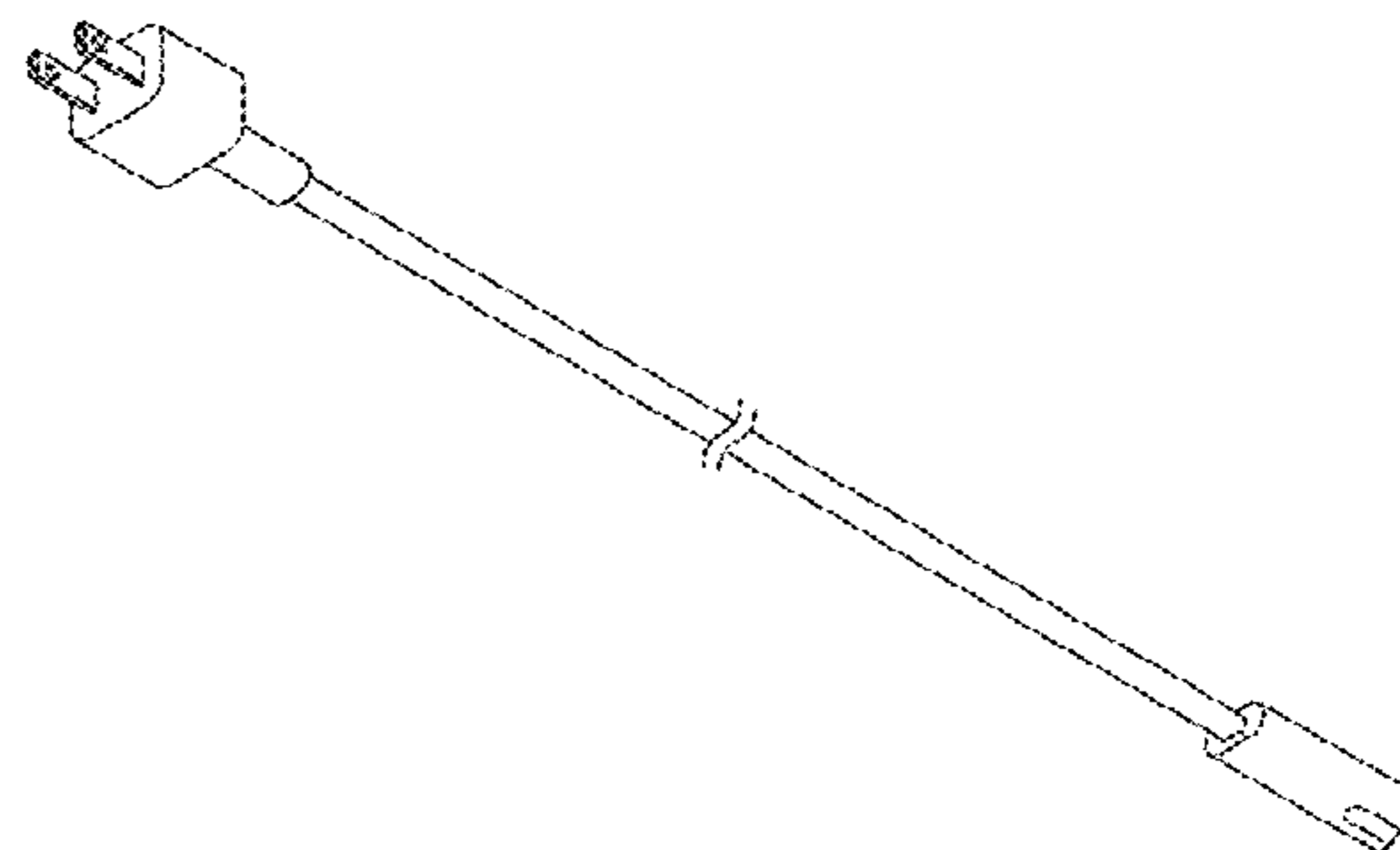
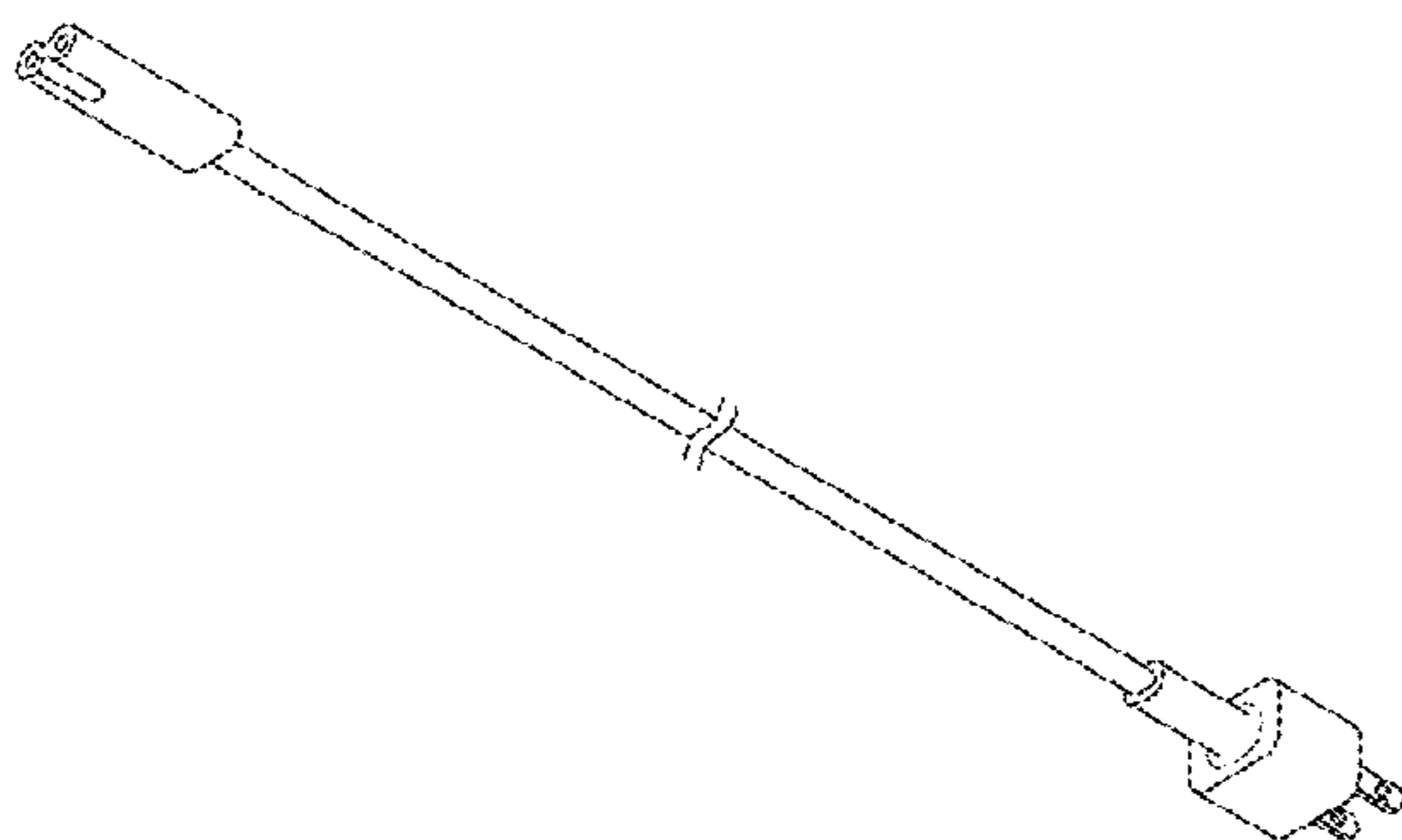
FIG. 4 is a top view of the cable thereof;

FIG. 5 is a perspective view of the cable and the first connector thereof; and,

FIG. 6 is a perspective view of the cable and the second connector thereof.

The power cable is shown with a symbolic break in its length. The appearance of any portion of the article between the break lines forms no part of the claimed design.

1 Claim, 2 Drawing Sheets



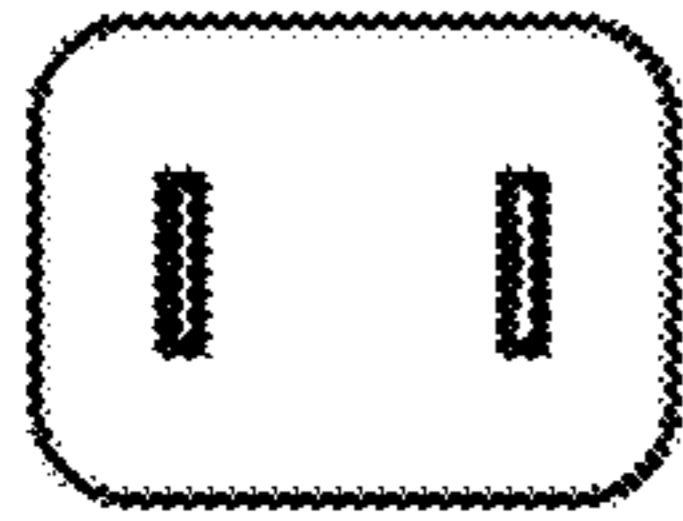


FIG. 1

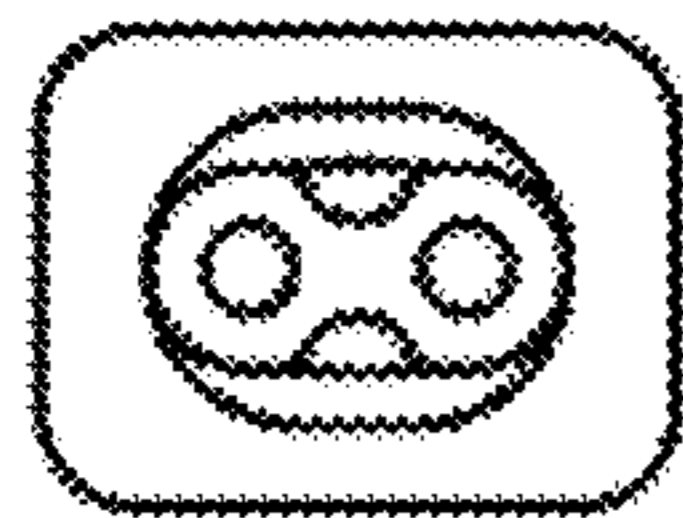


FIG. 2

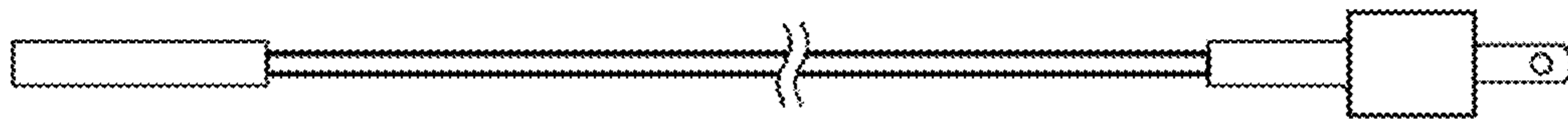


FIG. 3

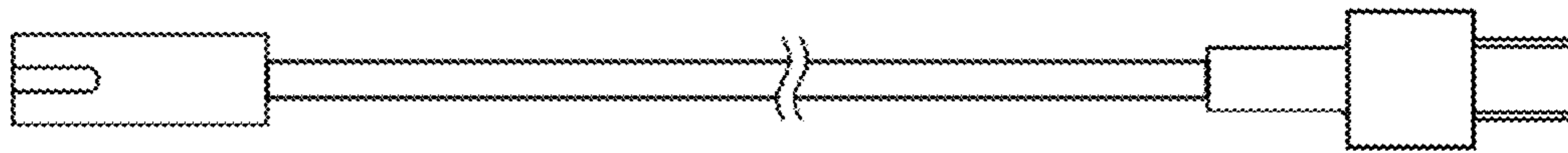


FIG. 4

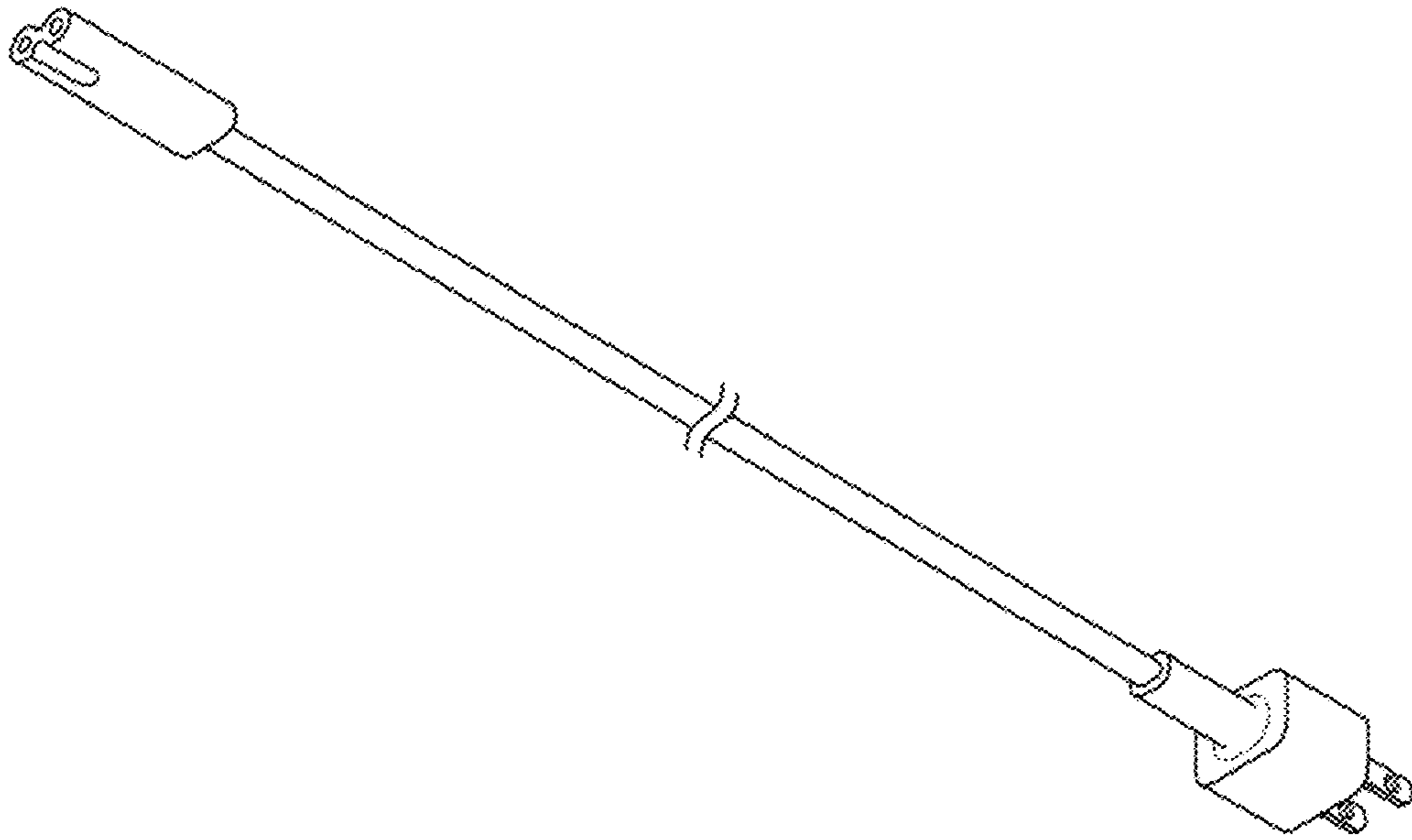


FIG. 5

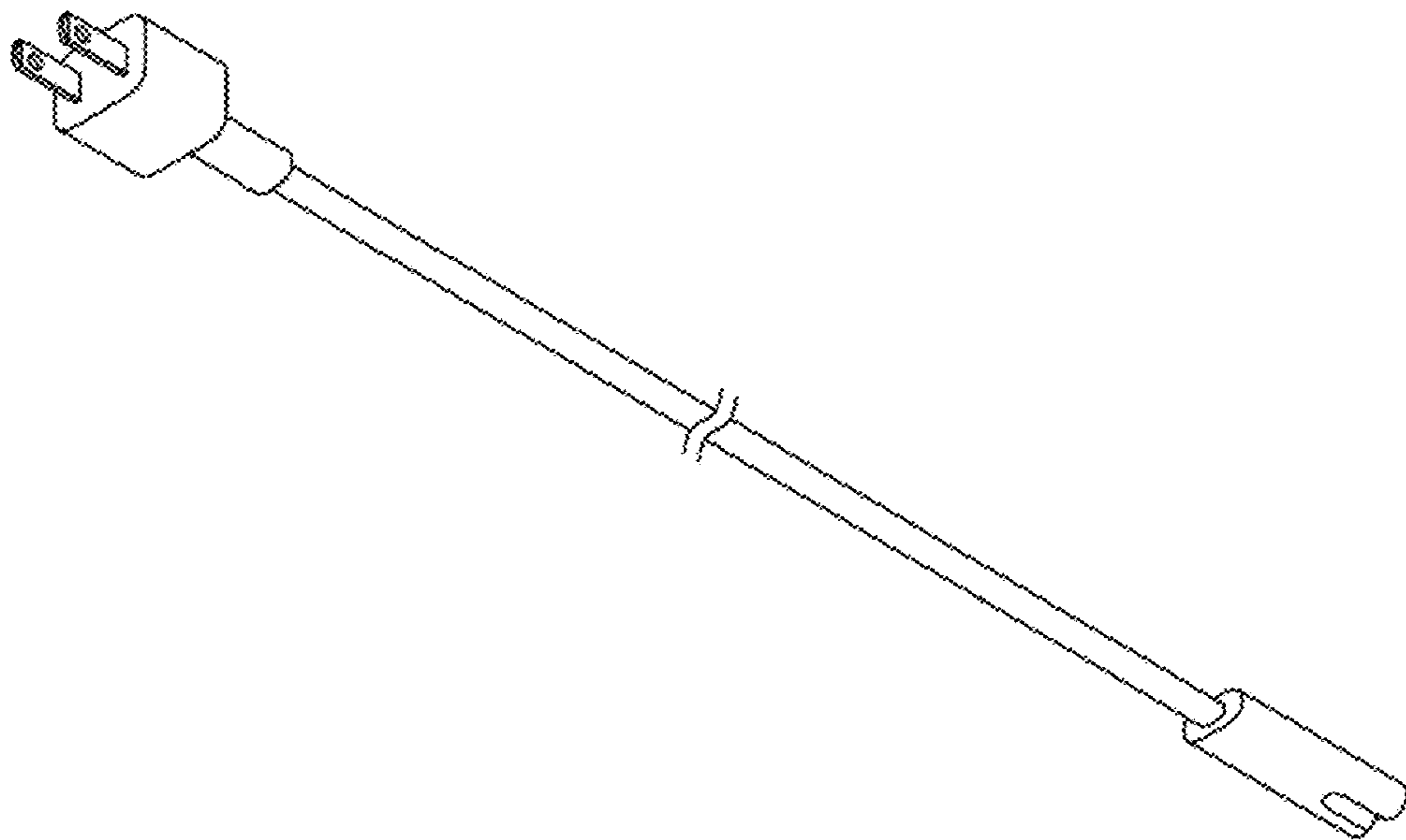


FIG. 6