



US00D691951S

(12) **United States Design Patent**  
**Evers et al.**

(10) **Patent No.:** **US D691,951 S**

(45) **Date of Patent:** **\*\* Oct. 22, 2013**

(54) **CONNECTOR**

(75) Inventors: **Maaike Louise Evers**, San Francisco, CA (US); **Michael Simonian**, San Francisco, CA (US); **Joe Freeman Britt, Jr.**, Los Altos, CA (US)

(73) Assignee: **Google Inc.**, Mountain View, CA (US)

(\*\*) Term: **14 Years**

(21) Appl. No.: **29/425,738**

(22) Filed: **Jun. 26, 2012**

(51) **LOC (9) Cl.** ..... **13-03**

(52) **U.S. Cl.**  
USPC ..... **D13/133**

(58) **Field of Classification Search**  
USPC ..... D13/133, 154, 184, 199; 439/180, 246, 439/252, 278, 374, 378, 380, 381, 527, 529, 439/606, 668-669, 675-676, 680, 750-751, 439/892, 894

See application file for complete search history.

(56) **References Cited**

**U.S. PATENT DOCUMENTS**

D296,325 S \* 6/1988 Hugin ..... D13/133  
D340,029 S \* 10/1993 Takizawa ..... D13/133  
5,685,730 A \* 11/1997 Cameron et al. .... 439/335

D470,818 S \* 2/2003 Cheng ..... D13/133  
D471,155 S \* 3/2003 Cheng ..... D13/133  
D506,439 S \* 6/2005 Wang ..... D13/133  
D519,452 S \* 4/2006 Rodrigues et al. .... D13/133  
D528,506 S \* 9/2006 Taguchi ..... D13/133  
D558,672 S \* 1/2008 Easley ..... D13/133  
D558,673 S \* 1/2008 Easley ..... D13/133  
D566,653 S \* 4/2008 Sakamoto ..... D13/133  
D653,211 S \* 1/2012 Magnezi ..... D13/133  
2003/0151884 A1 \* 8/2003 Matsumoto ..... 361/523

\* cited by examiner

*Primary Examiner* — Thomas Johannes

(74) *Attorney, Agent, or Firm* — Morris & Kamlay LLP

(57) **CLAIM**

The ornamental design for a connector, as shown and described.

**DESCRIPTION**

FIG. 1 is a top view of a connector according to our new design;

FIG. 2 is a first side view of the connector thereof;

FIG. 3 is a second side view of the connector thereof;

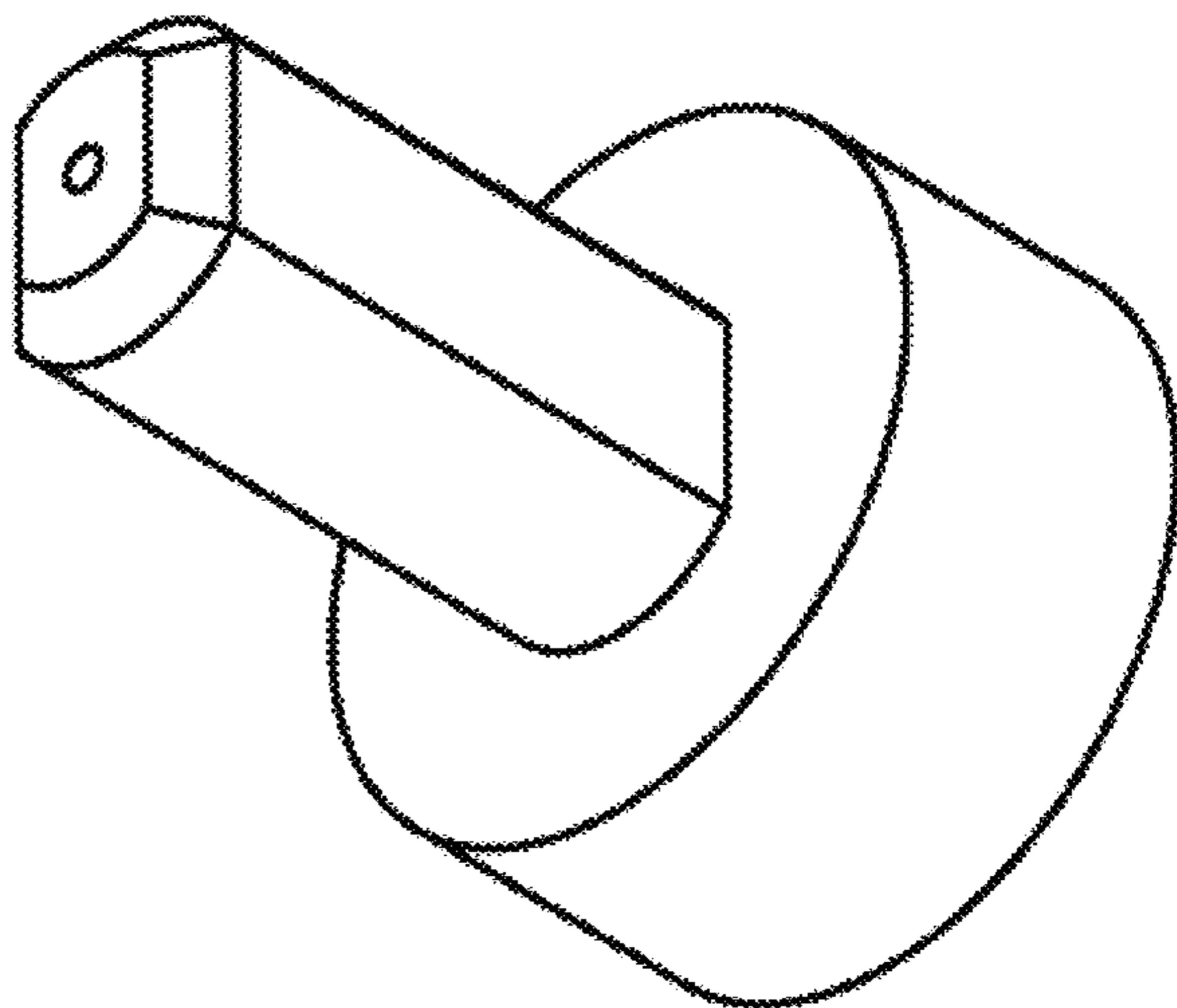
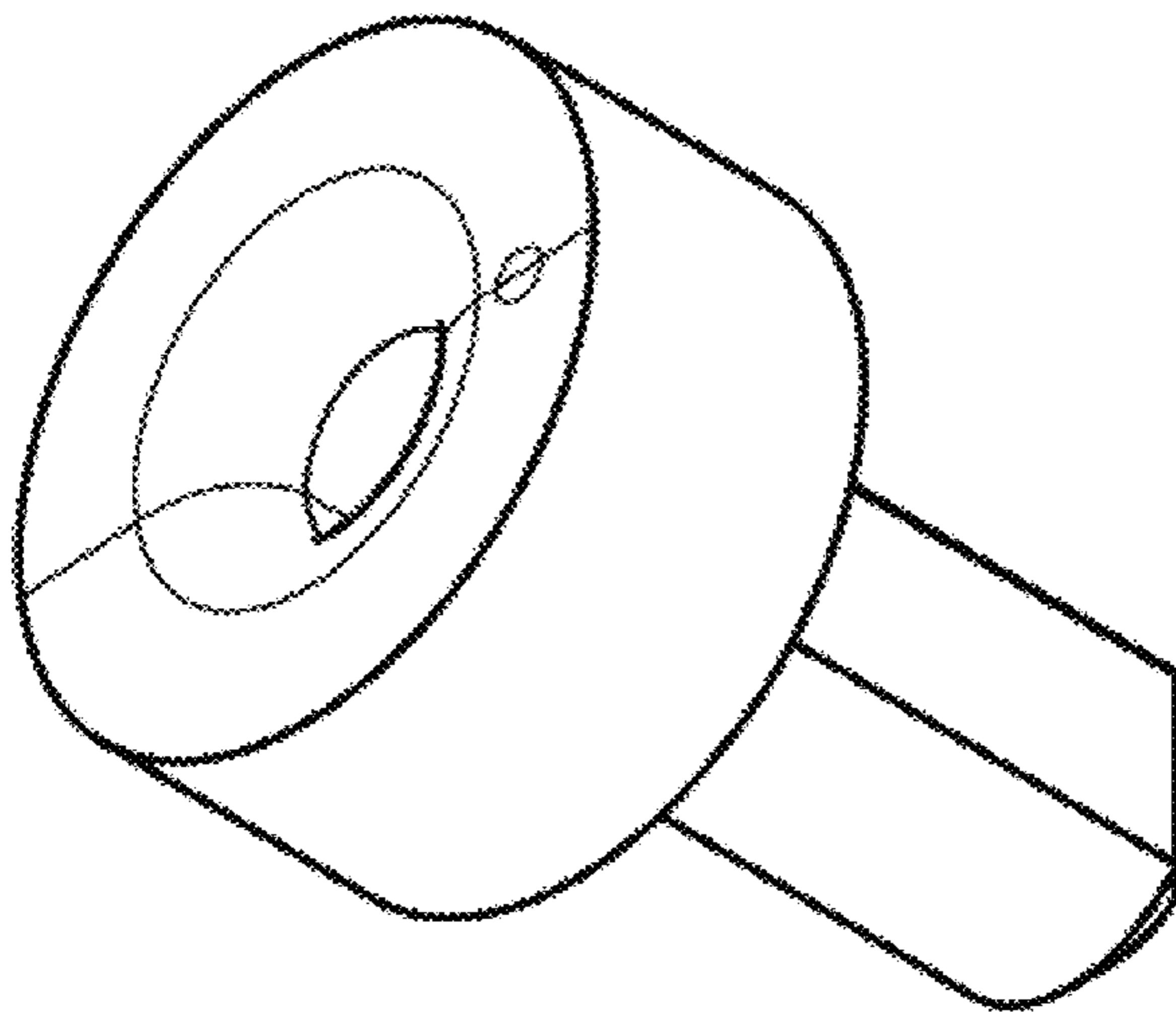
FIG. 4 is an elevation view of the top of the connector thereof;

FIG. 5 is a bottom view of the connector thereof; and,

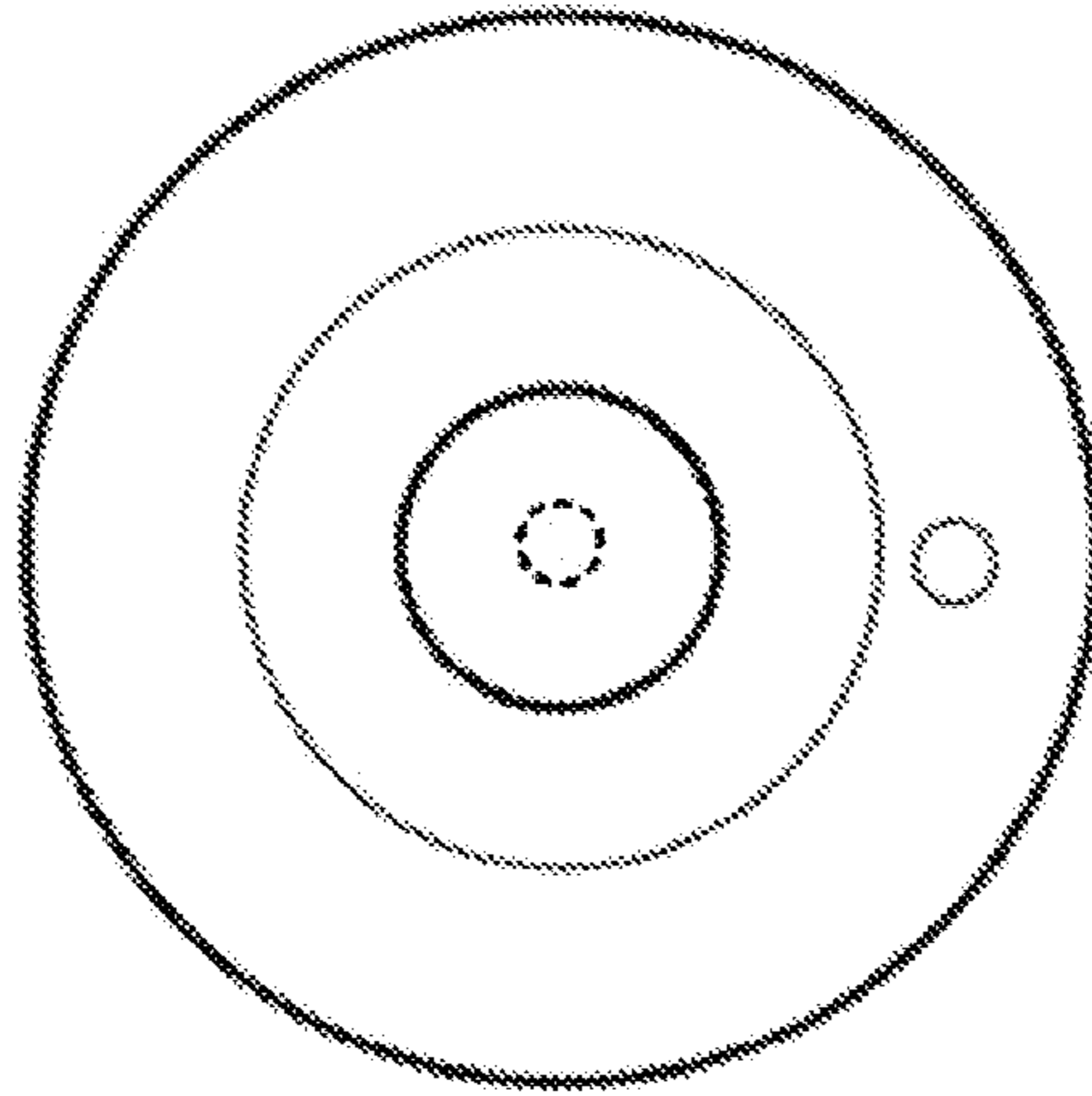
FIG. 6 is an elevation view of the bottom of the connector thereof.

The broken line portion of the figure drawings is included to show unclaimed subject matter only and forms no part of the claimed design.

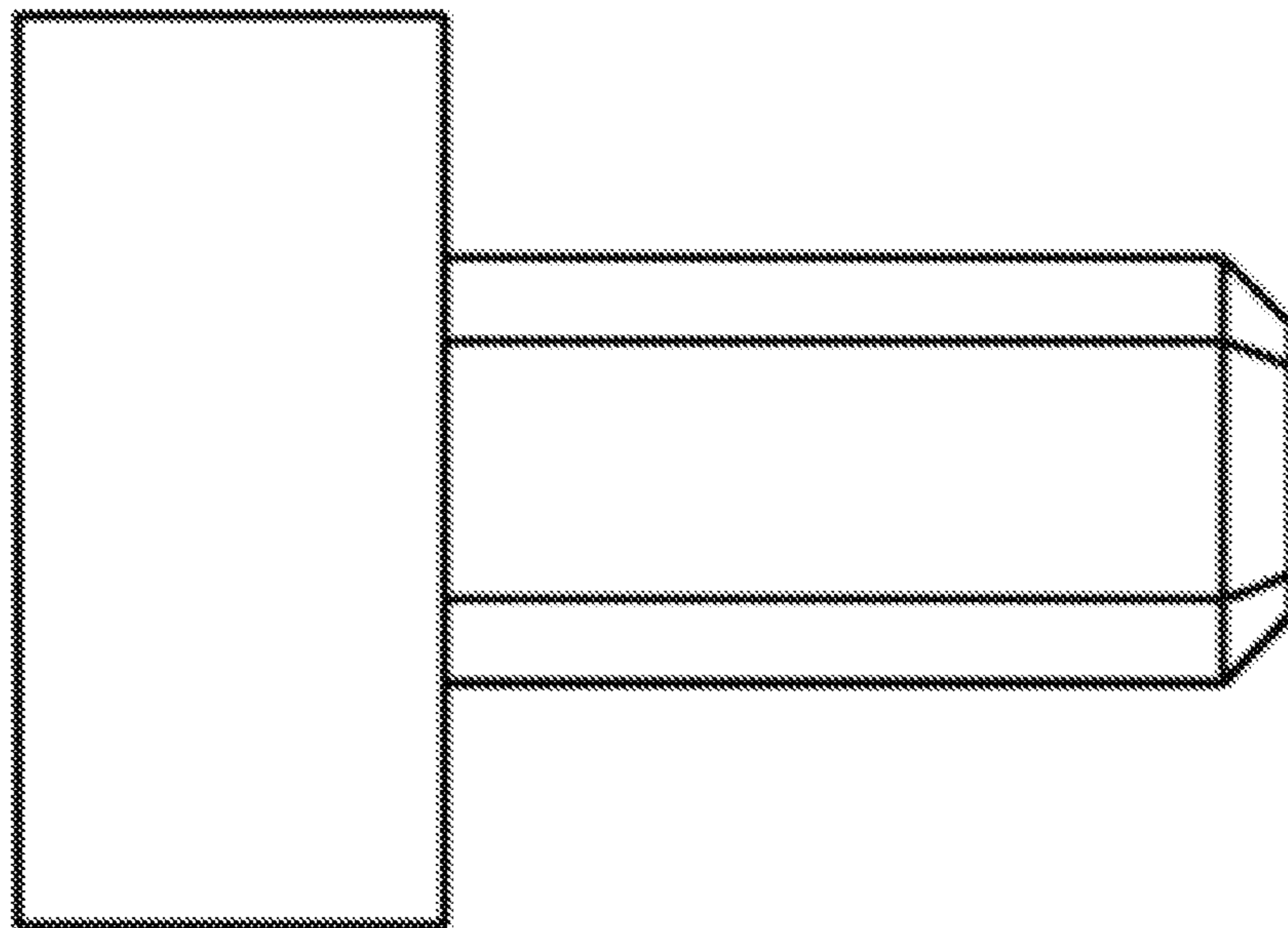
**1 Claim, 3 Drawing Sheets**

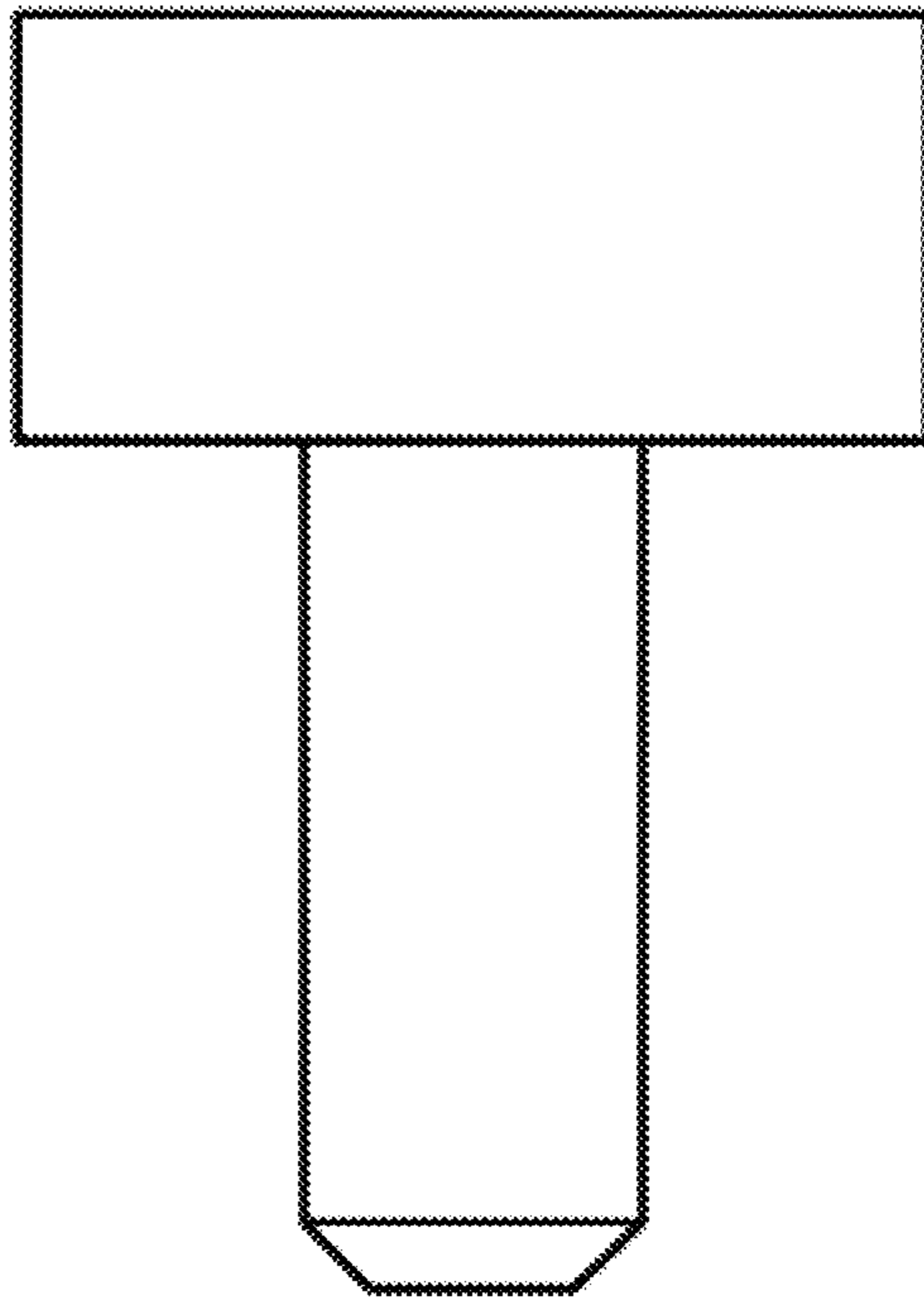


**FIG. 1**

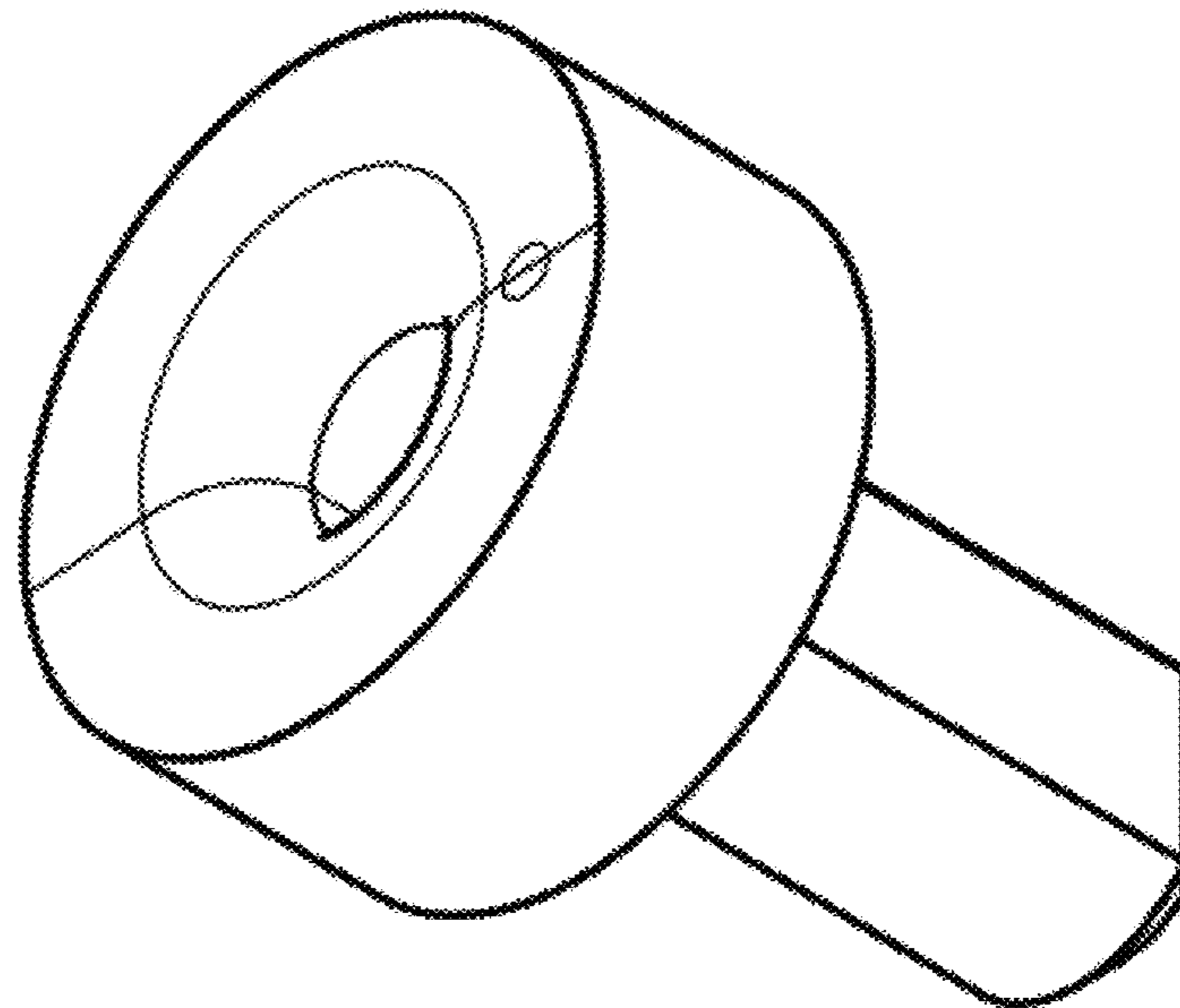


**FIG. 2**





**FIG. 3**



**FIG. 4**

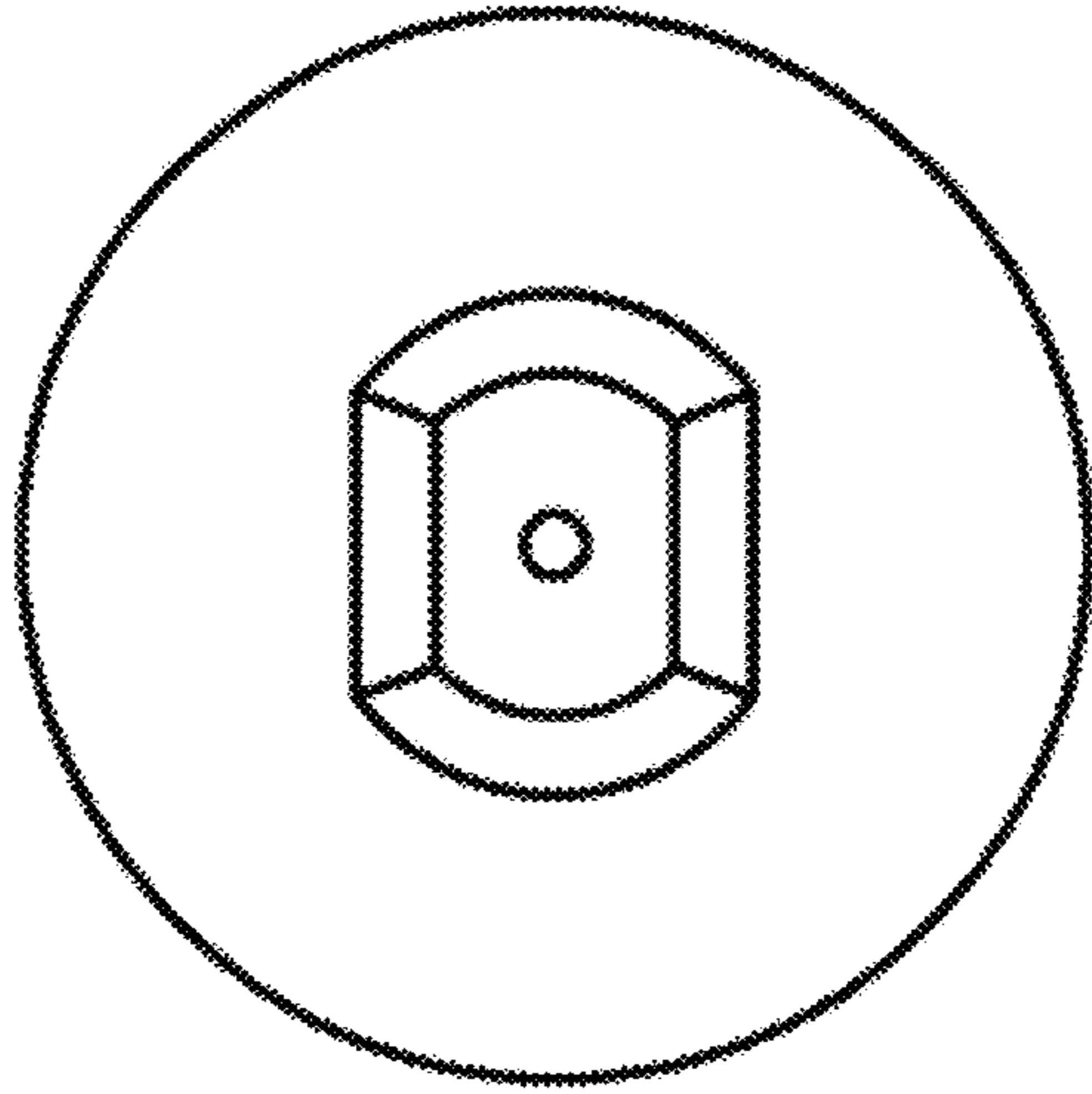


FIG. 5

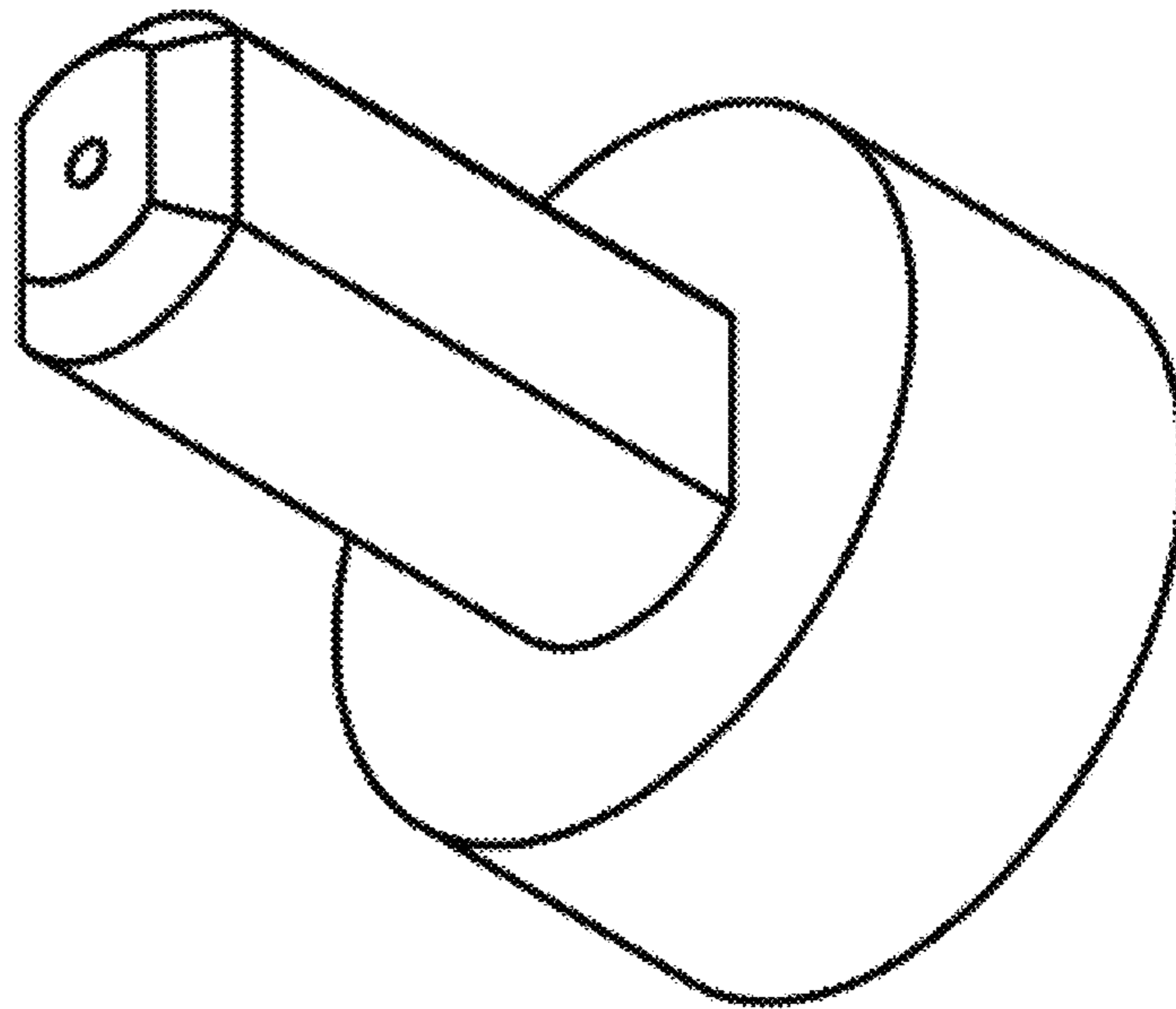


FIG. 6