



US00D691950S

(12) **United States Design Patent**
Asai et al.

(10) **Patent No.:** **US D691,950 S**
(45) **Date of Patent:** **** Oct. 22, 2013**

(54) **ELECTRICAL CONNECTOR**

(75) Inventors: **Kiyoshi Asai**, Yokohama (JP); **Manabu Dobashi**, Tokyo (JP)

(73) Assignee: **SMK Corporation**, Tokyo (JP)

(**) Term: **14 Years**

(21) Appl. No.: **29/421,743**

(22) Filed: **Sep. 13, 2012**

(30) **Foreign Application Priority Data**

Jun. 21, 2012 (JP) 2012-016255

(51) **LOC (9) Cl.** **13-03**

(52) **U.S. Cl.**
USPC **D13/133**

(58) **Field of Classification Search**
USPC D13/133, 154, 184, 199; 439/180, 246,
439/252, 278, 374, 378, 380, 381, 527, 529,
439/606, 668-669, 675-676, 680, 750-751,
439/892, 894

See application file for complete search history.

(56) **References Cited**

U.S. PATENT DOCUMENTS

4,433,222 A * 2/1984 Kodaira 200/536
D287,359 S * 12/1986 Ohashi D13/171
D296,325 S * 6/1988 Hugin D13/133
D340,029 S * 10/1993 Takizawa D13/133
D340,224 S * 10/1993 Gierut D13/171

D403,305 S * 12/1998 Lorenzo Regidor D13/158
D491,145 S * 6/2004 Hu et al. D13/147
D513,606 S * 1/2006 Yamane D13/149
D561,706 S * 2/2008 Mishima D13/171
D586,756 S * 2/2009 Magnuson et al. D13/154
D607,820 S * 1/2010 Thorner D13/133
D653,211 S * 1/2012 Magnezi D13/133
D665,745 S * 8/2012 Yamauchi et al. D13/133
2006/0051986 A1 * 3/2006 Asai et al. 439/71

* cited by examiner

Primary Examiner — Thomas Johannes

(74) *Attorney, Agent, or Firm* — Jean C. Edwards, Esq.;
Edwards Neils PLLC

(57) **CLAIM**

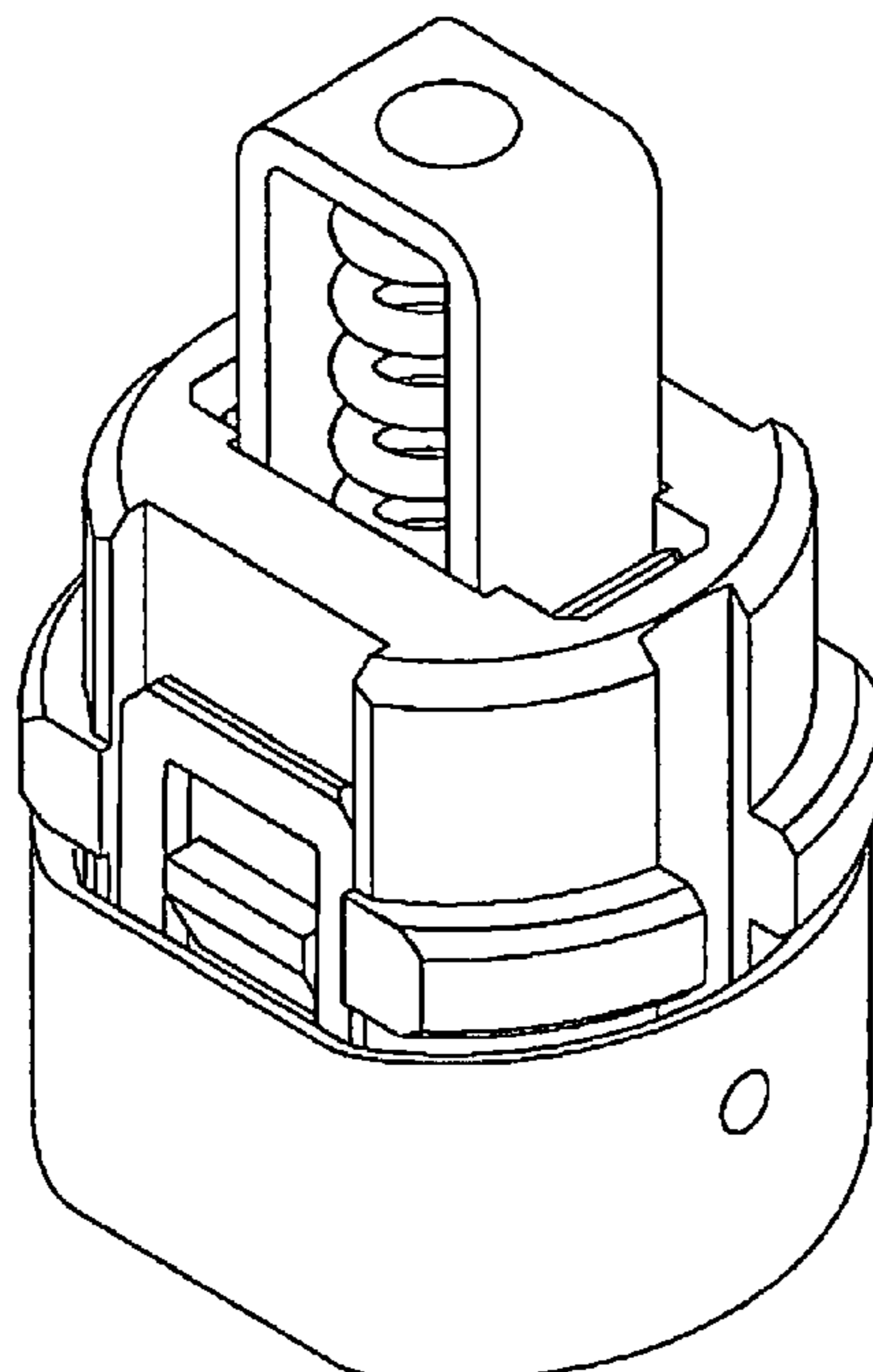
The ornamental design for an electrical connector, as shown and described.

DESCRIPTION

FIG. 1 is a perspective view of the front and right side of an electrical connector showing our new design;
FIG. 2 is a perspective view of the rear and right side thereof;
FIG. 3 is a front view thereof;
FIG. 4 is a rear view thereof;
FIG. 5 is a right view thereof; the left view being a mirror image thereof;
FIG. 6 is a top view thereof; and,
FIG. 7 is a bottom view thereof.

The present article is an electrical connector, which establishes electrical connection between a circuit on a printed circuit board.

1 Claim, 7 Drawing Sheets



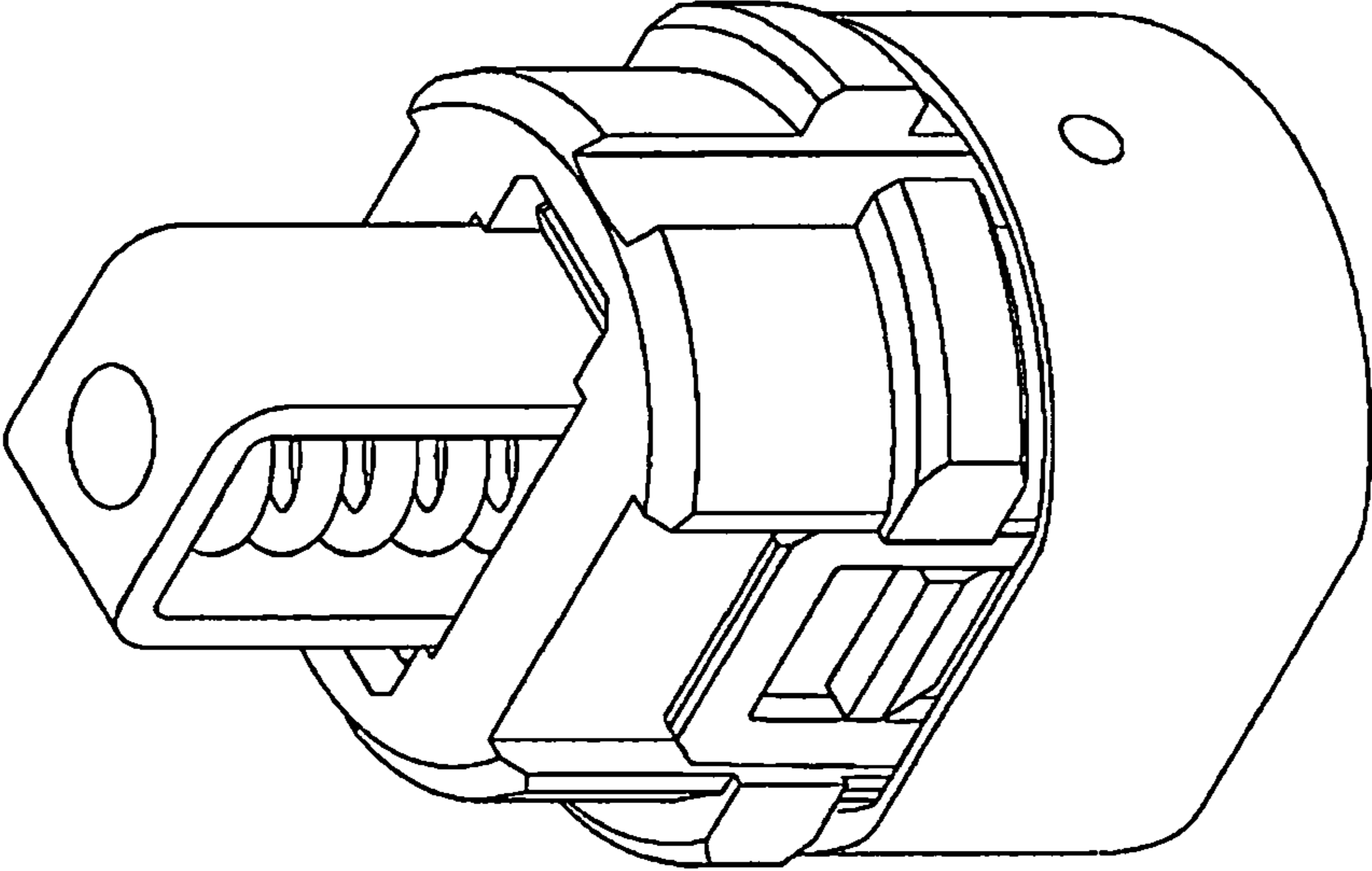


FIG. 1

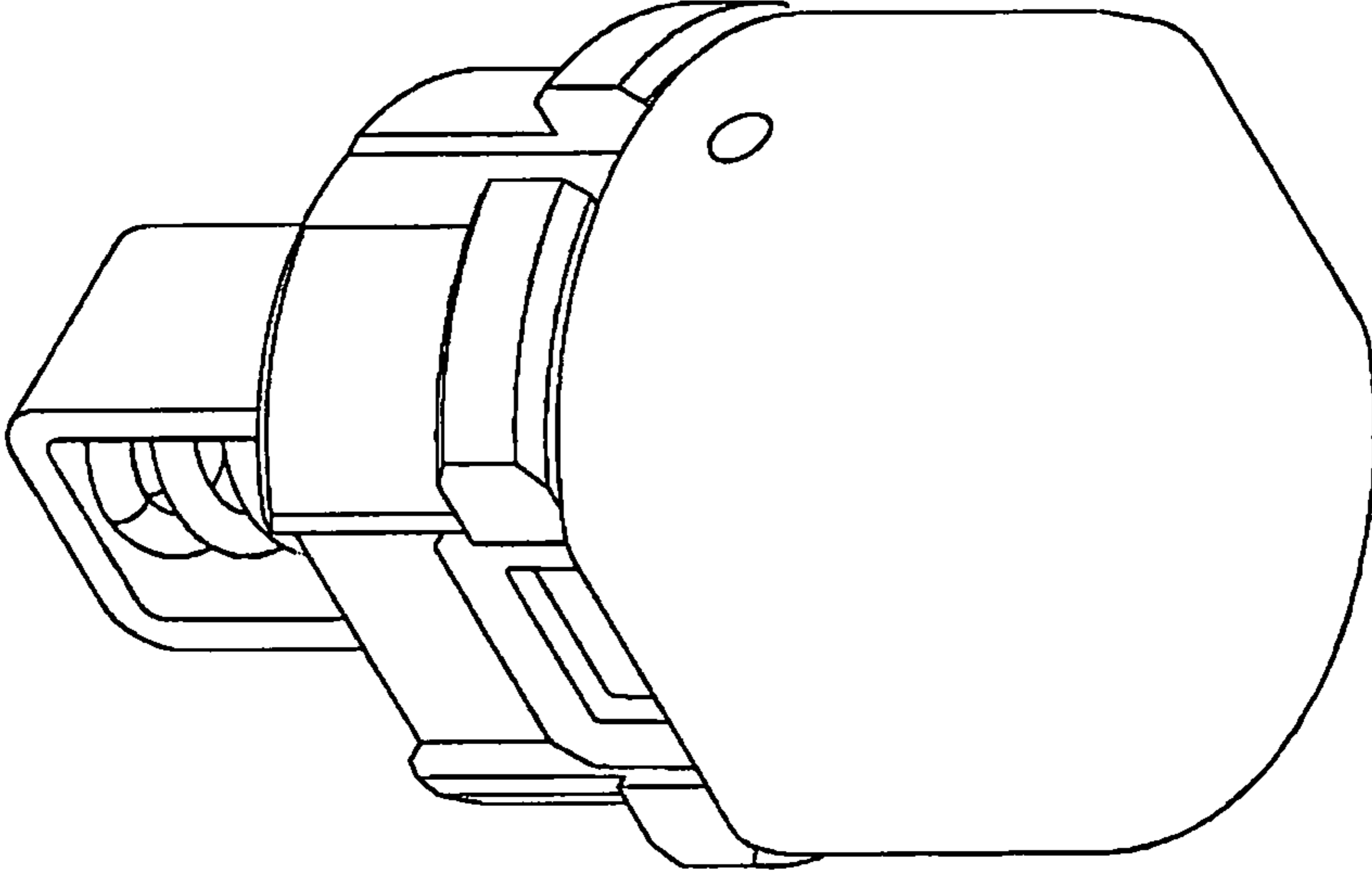


FIG. 2

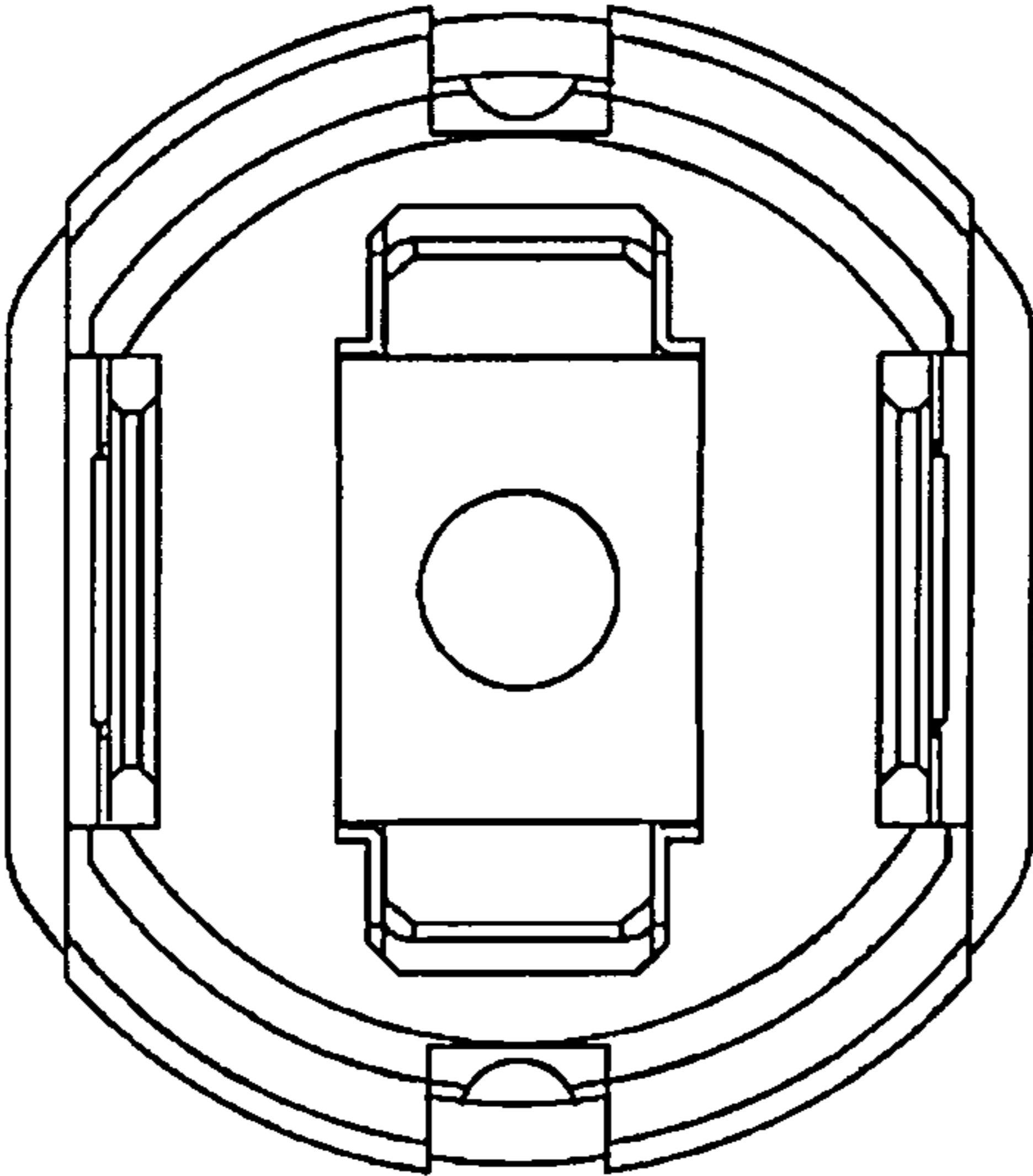


FIG. 3

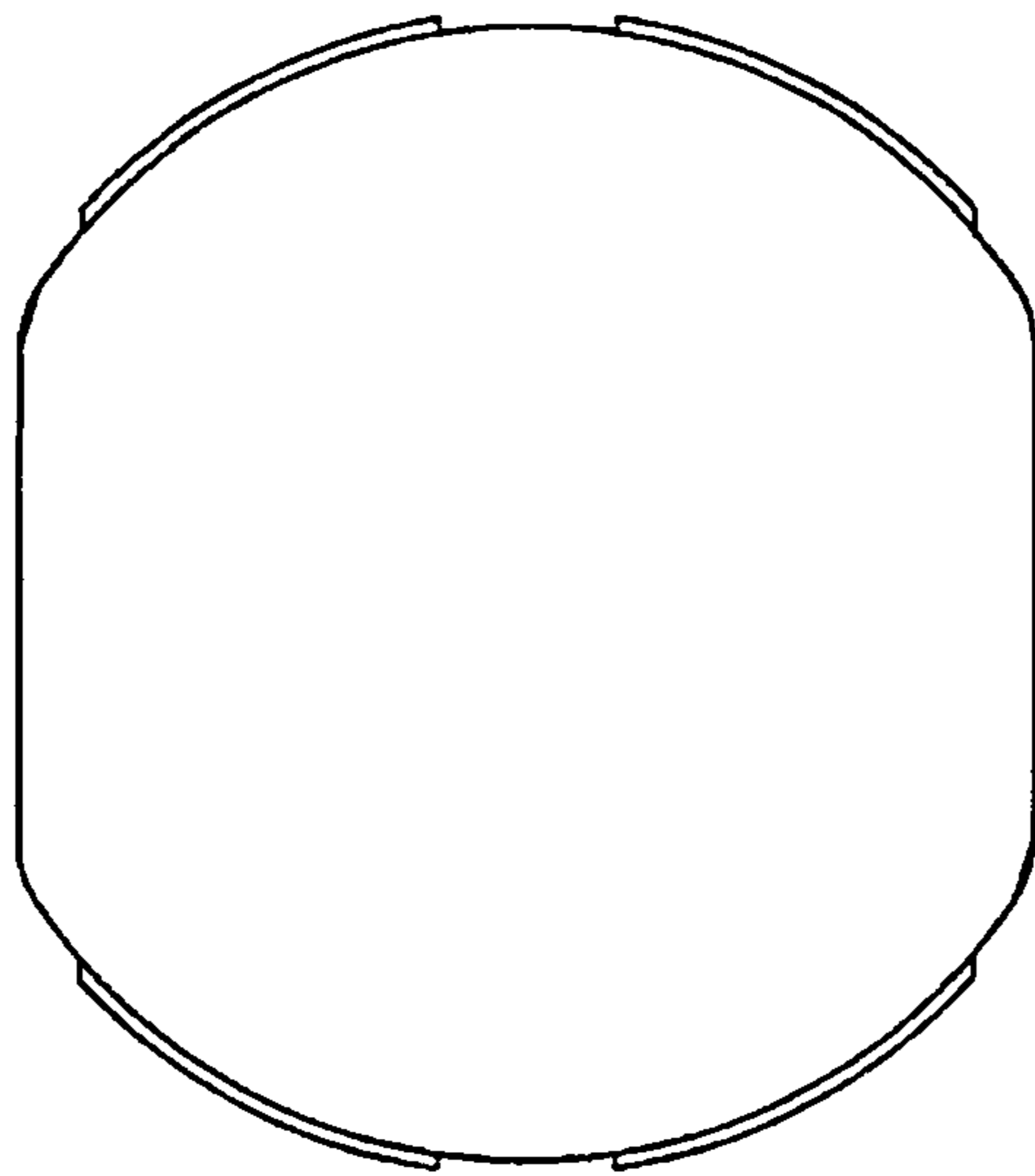


FIG. 4

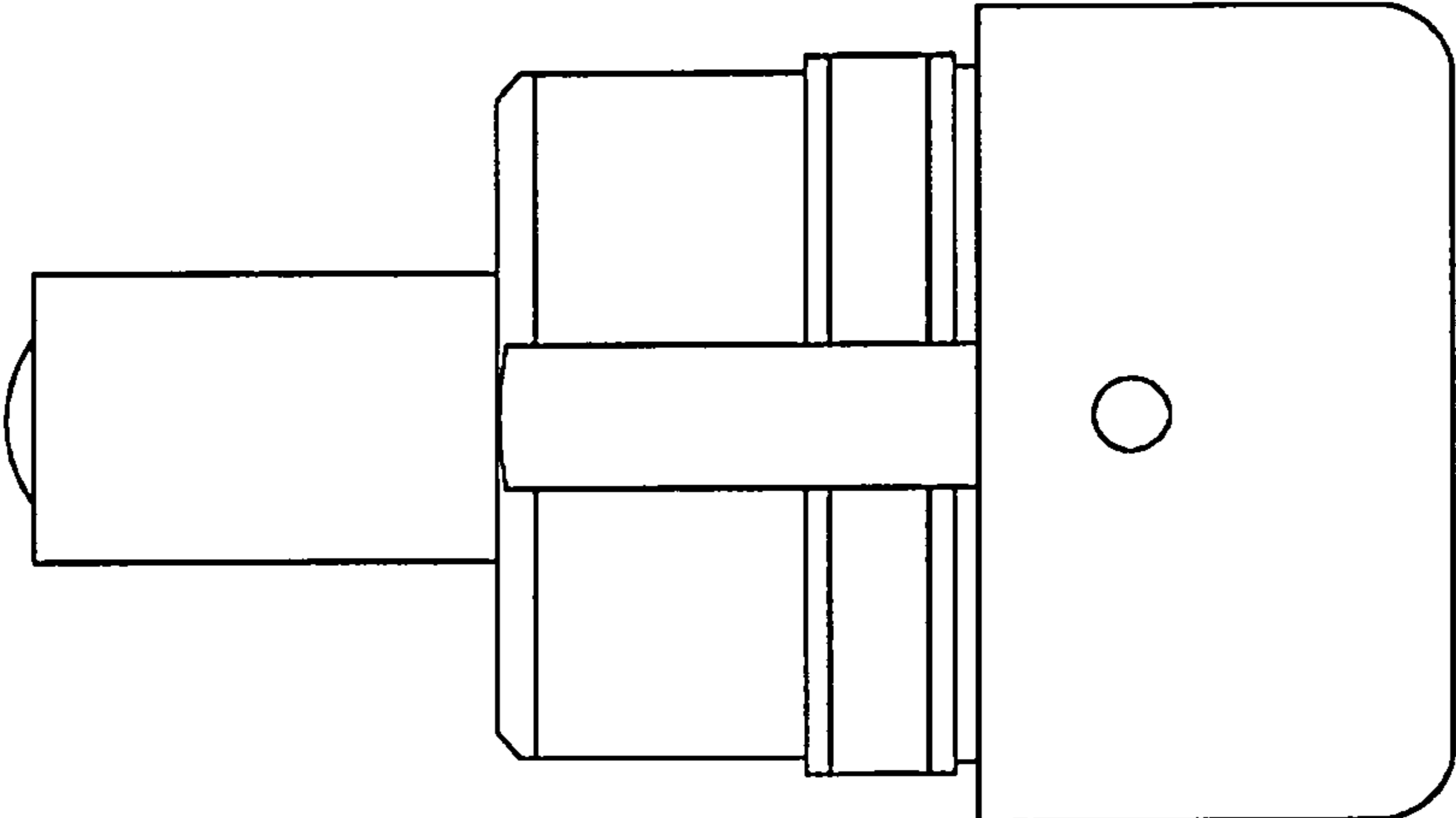


FIG. 5

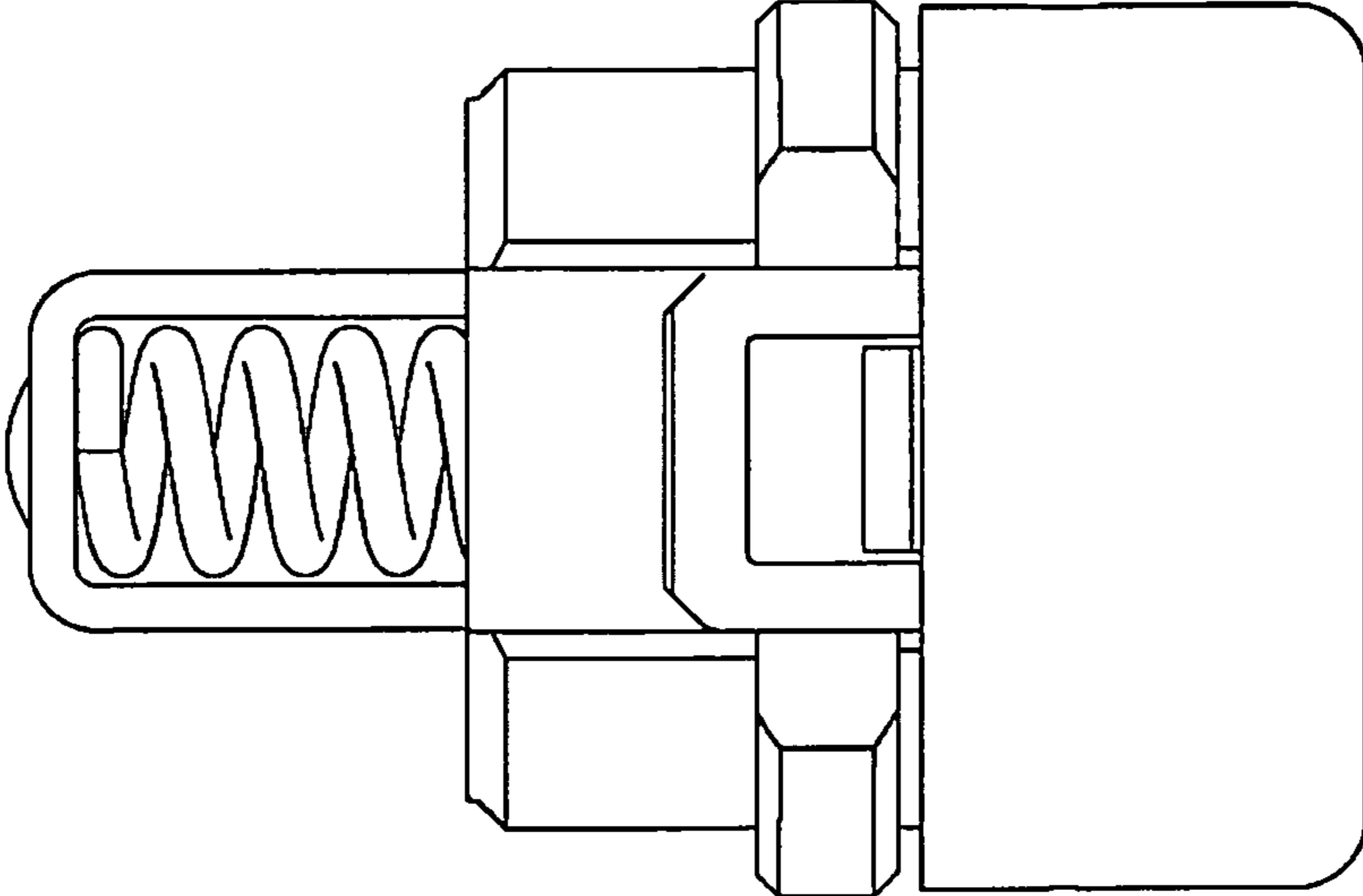


FIG. 6

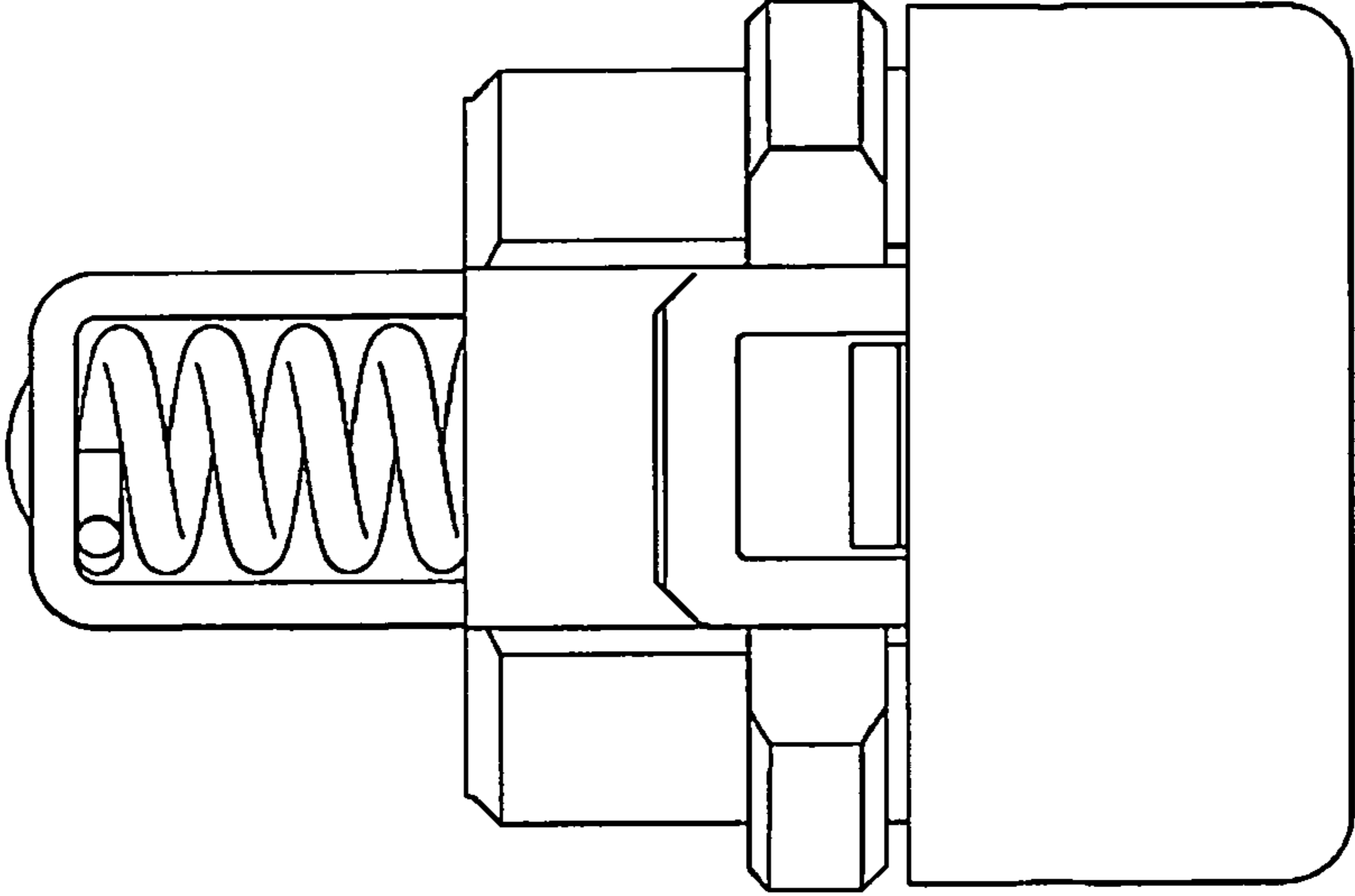


FIG. 7