



US00D691939S

(12) **United States Design Patent**
Cote et al.

(10) **Patent No.:** **US D691,939 S**

(45) **Date of Patent:** **** Oct. 22, 2013**

(54) **FRONT FAIRING**

(75) Inventors: **Andre Cote**, Longueuil (CA); **Steve Tetreault**, Sherbrooke (CA)

(73) Assignee: **Bombardier Recreational Products Inc.**, Valcourt (CA)

(**) Term: **14 Years**

(21) Appl. No.: **29/394,373**

(22) Filed: **Jun. 16, 2011**

(51) **LOC (9) Cl.** **12-06**

(52) **U.S. Cl.**
USPC **D12/317; D12/307**

(58) **Field of Classification Search**
USPC **D12/6-11, 300-318; 114/55.5, 114/55.51-55.58, 345; D21/770**
See application file for complete search history.

(56) **References Cited**

U.S. PATENT DOCUMENTS

D464,015 S	10/2002	Bucaccio et al.	
D478,035 S *	8/2003	Bills et al.	D12/317
D479,602 S	9/2003	Bainton	
D485,527 S	1/2004	Cassell et al.	
D485,797 S *	1/2004	Cassell et al.	D12/307
D507,230 S *	7/2005	Bucaccio et al.	D12/317
D510,900 S	10/2005	Bucaccio et al.	
D516,006 S	2/2006	Bucaccio et al.	
D518,432 S *	4/2006	Bucaccio et al.	D12/307

(Continued)

Primary Examiner — Cynthia M Chin

(74) *Attorney, Agent, or Firm* — BCF LLP

(57) **CLAIM**

The ornamental design for a front fairing, as shown and described.

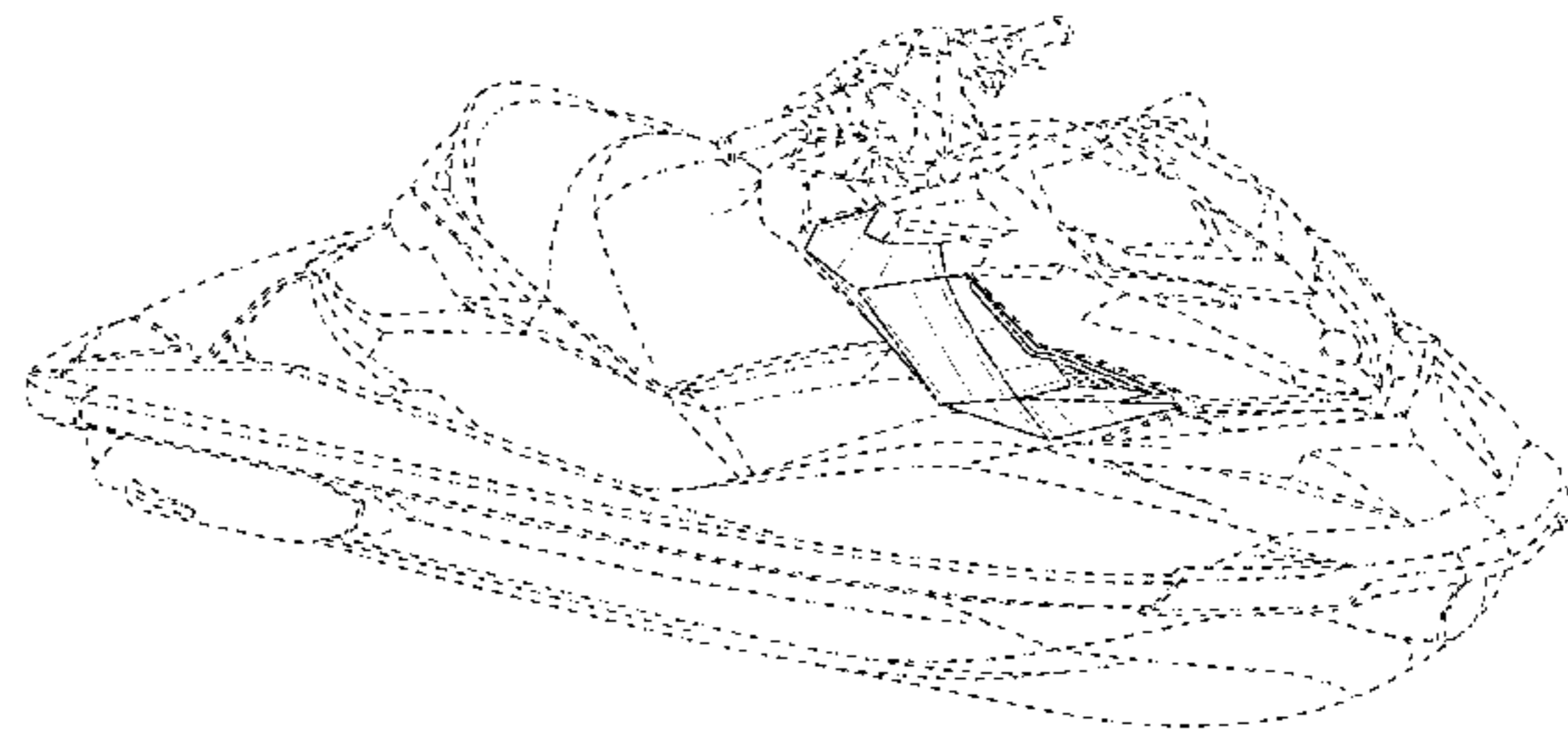
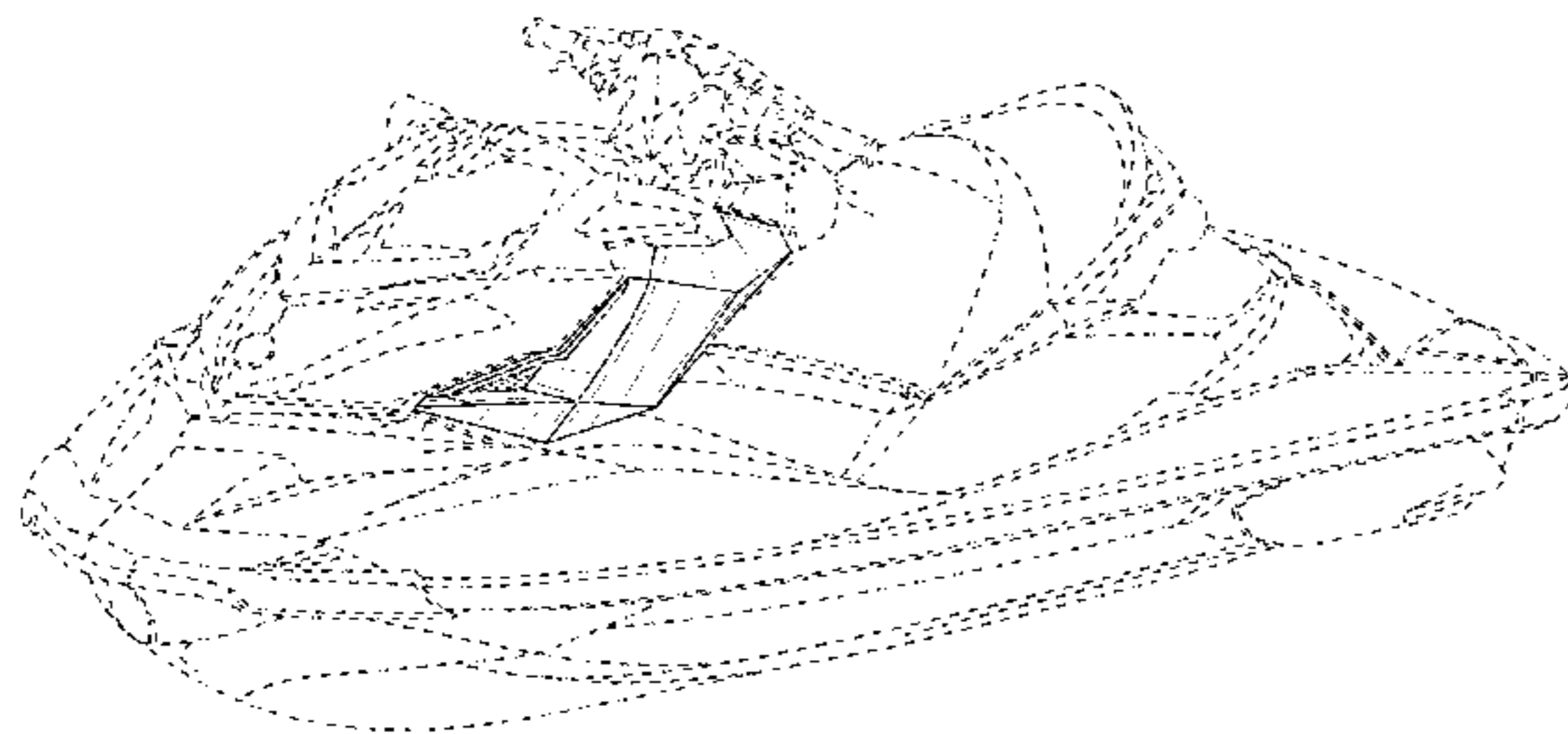
DESCRIPTION

FIG. 1 is a perspective view taken from a front, left side of a front fairing according to a first embodiment of our design;

FIG. 2 is a front elevation view thereof;
 FIG. 3 is a rear elevation view thereof;
 FIG. 4 is a left side elevation view thereof;
 FIG. 5 is a top plan view thereof;
 FIG. 6 is a bottom plan view thereof;
 FIG. 7 is a perspective view taken from a front, left side of a front fairing of FIG. 1 shown on a personal watercraft shown in dotted lines;
 FIG. 8 is a perspective view taken from a rear, left side of a front fairing of FIG. 1 shown on a personal watercraft shown in dotted lines;
 FIG. 9 is a perspective view taken from a front, right side of a front fairing according to a second embodiment of our design;
 FIG. 10 is a front elevation view thereof;
 FIG. 11 is a rear elevation view thereof;
 FIG. 12 is a right side elevation view thereof;
 FIG. 13 is a top plan view thereof;
 FIG. 14 is a bottom plan view thereof;
 FIG. 15 is a perspective view taken from a front, right side of a front fairing of FIG. 9 shown on a personal watercraft shown in dotted lines; and,
 FIG. 16 is a perspective view taken from a rear, right side of a front fairing of FIG. 9 shown on a personal watercraft shown in dotted lines.

Throughout the Figures, where shown: (i) the elements of the front fairing shown in dotted lines are for illustrative purposes only and do not form part of the claimed design; and (ii) in FIGS. 1 to 4, 6, 7 and 8, and FIGS. 9 to 12, 14, 15 and 16, the dotted/dashed lines represent unclaimed boundaries of the claimed design and as such, the configuration of the unshaded surfaces defined by dotted/dashed lines immediately adjacent solid lines form no part of the claimed design. In FIGS. 7, 8, 15, and 16, the personal watercraft shown in dotted lines is shown for illustrative purposes only and do not form part of the claimed design. Portions of the front fairing not shown in the Figures and not otherwise described in this Specification do not form part of the claimed design.

1 Claim, 14 Drawing Sheets



US D691,939 S

Page 2

(56)

References Cited

U.S. PATENT DOCUMENTS

D550,603 S 9/2007 Cote et al.
D603,319 S 11/2009 Cote et al.
D608,719 S 1/2010 Cote et al.

D632,632 S 2/2011 Cote
D636,322 S * 4/2011 Cote D12/317
D637,544 S 5/2011 Cote et al.
D644,590 S * 9/2011 Cote et al. D12/317

* cited by examiner

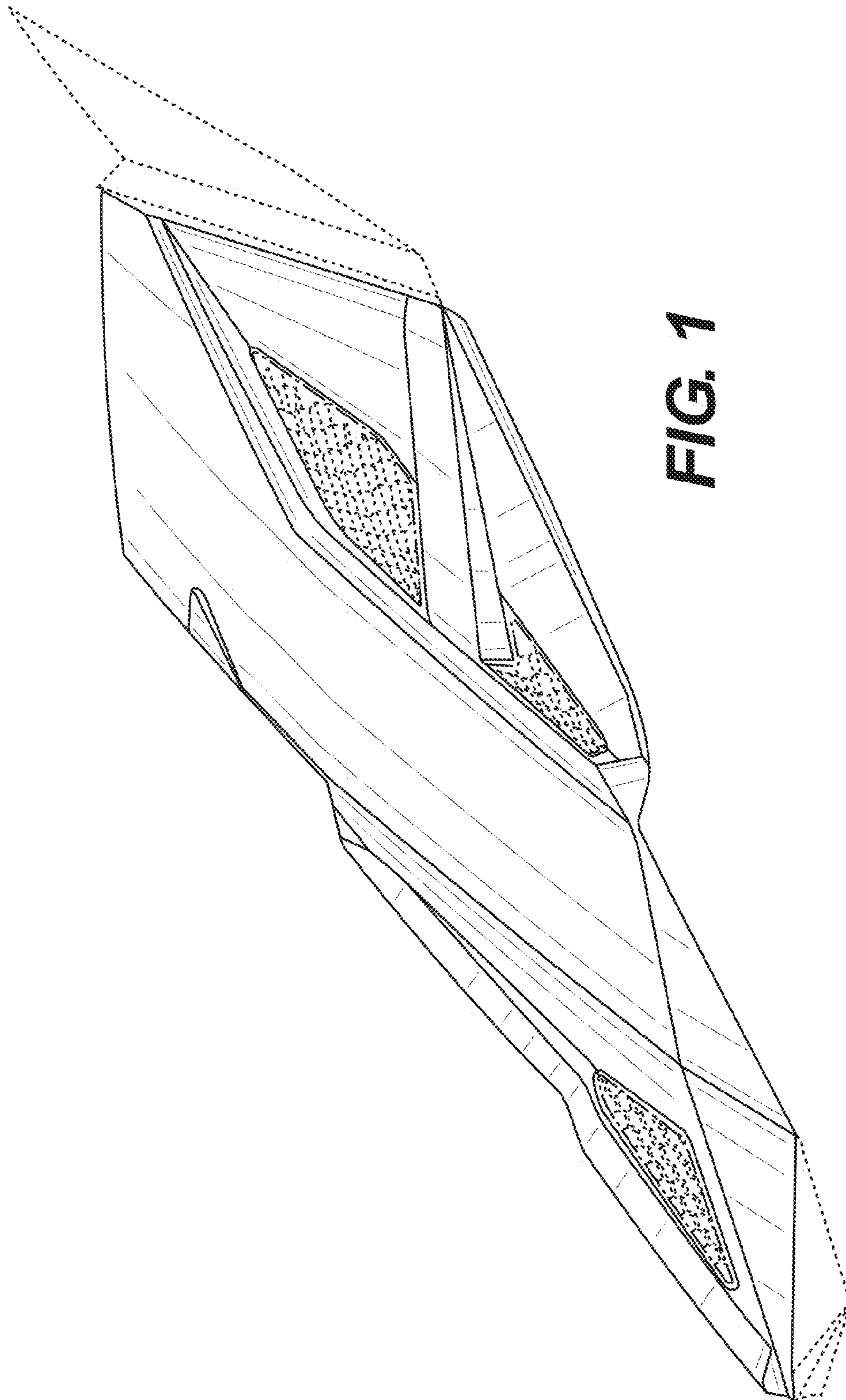


FIG. 1

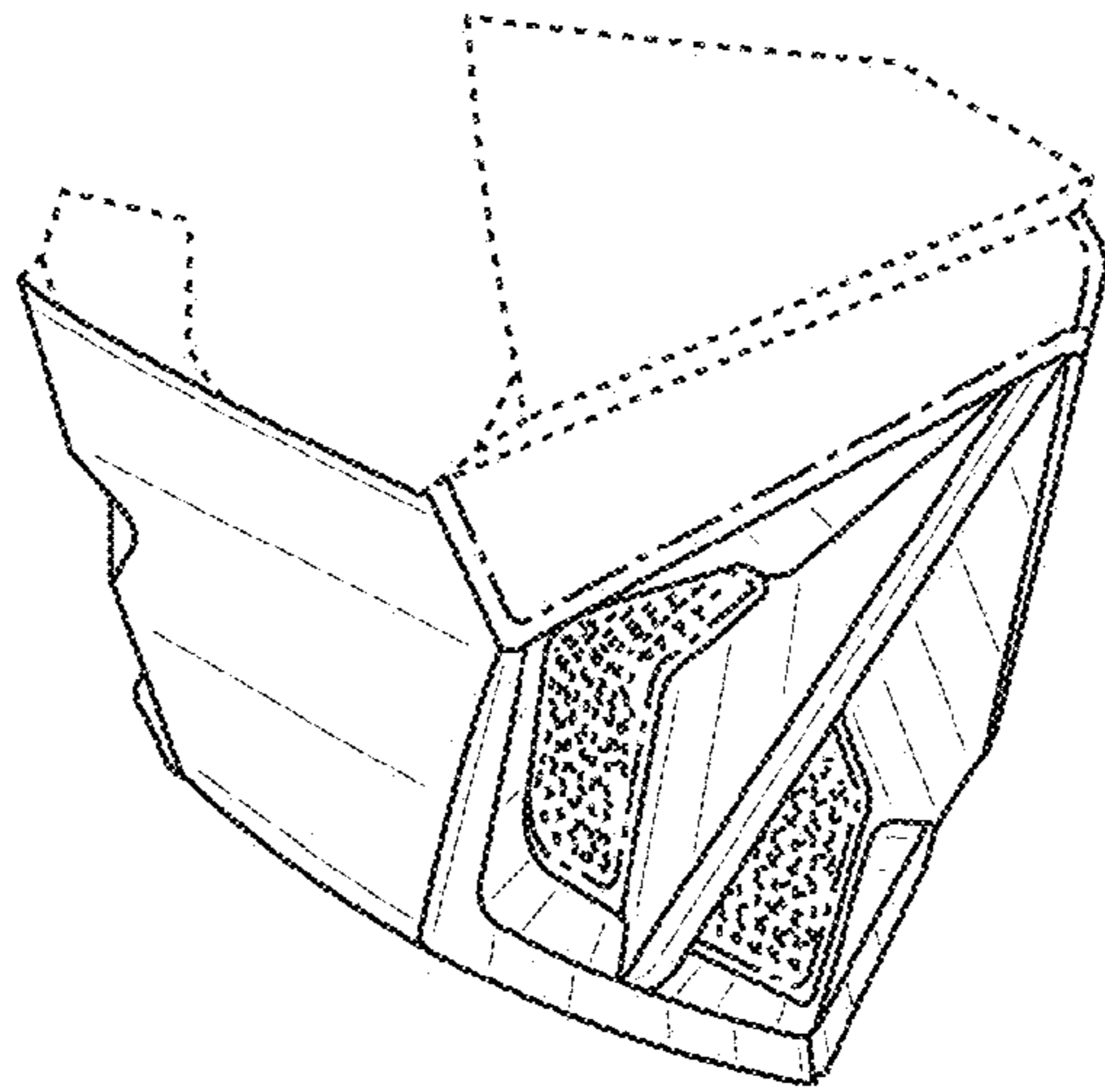


FIG. 2

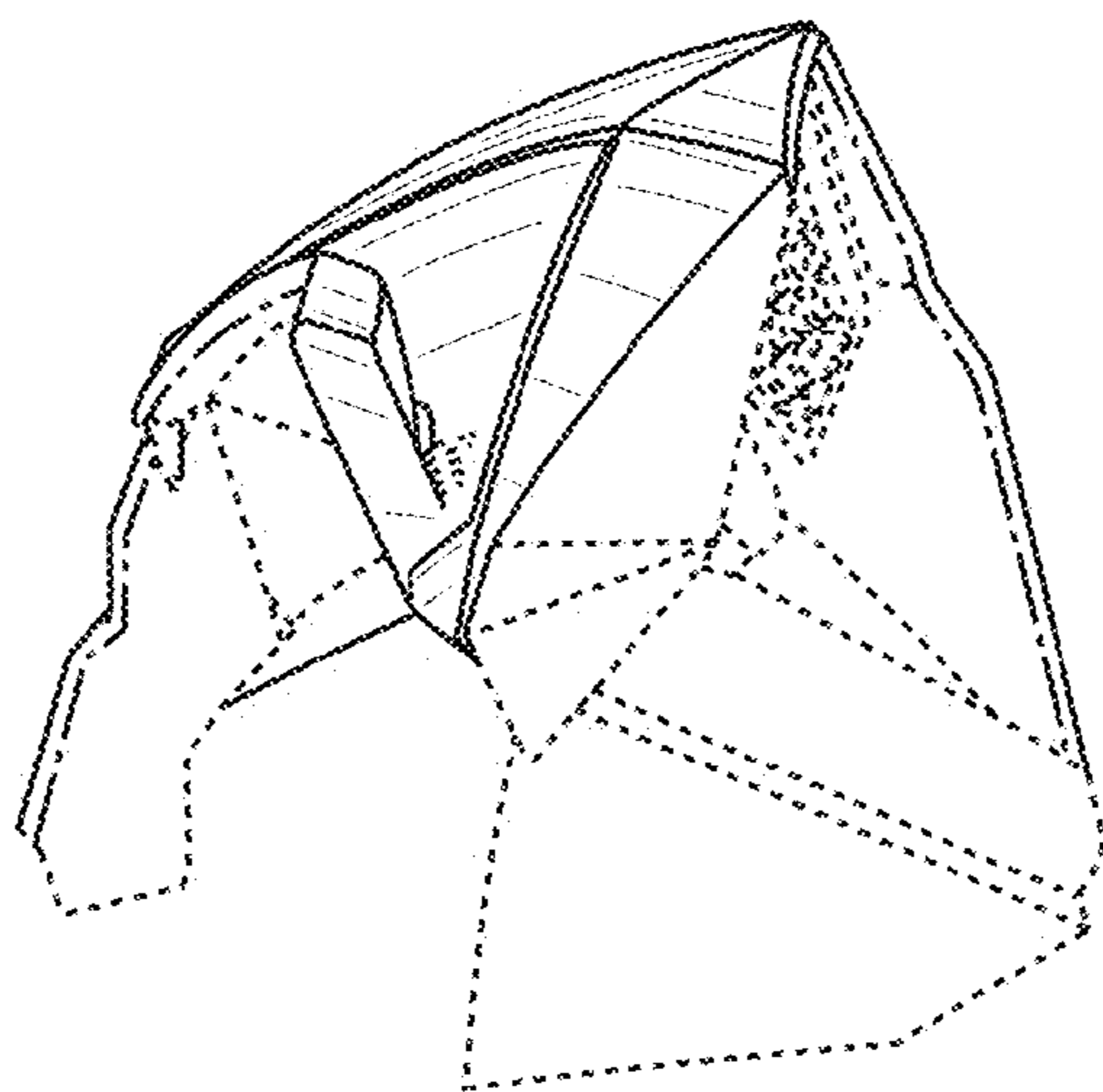


FIG. 3

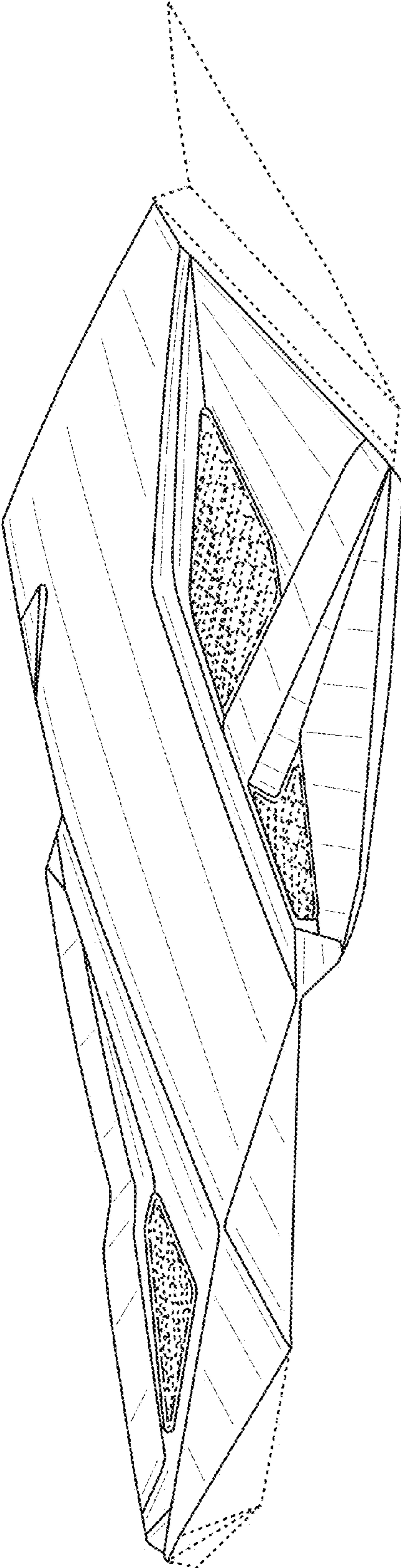


FIG. 4

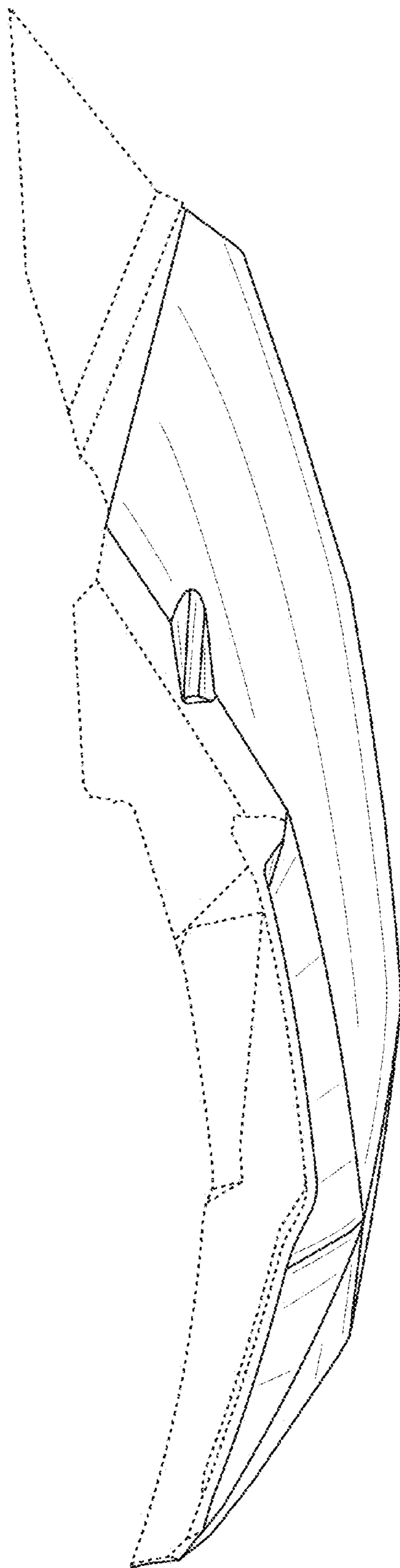


FIG. 5

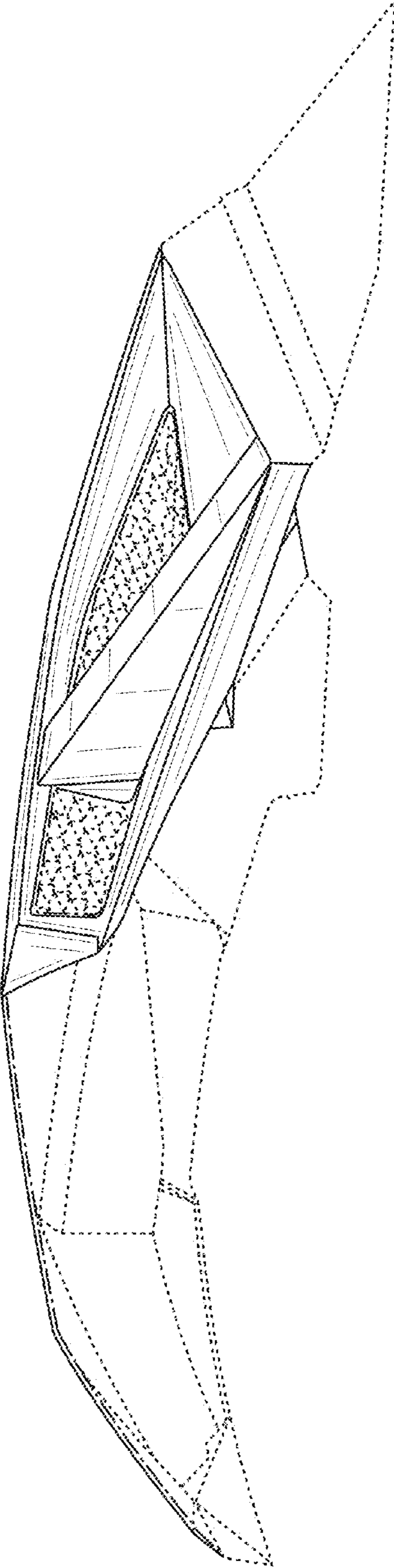


FIG. 6

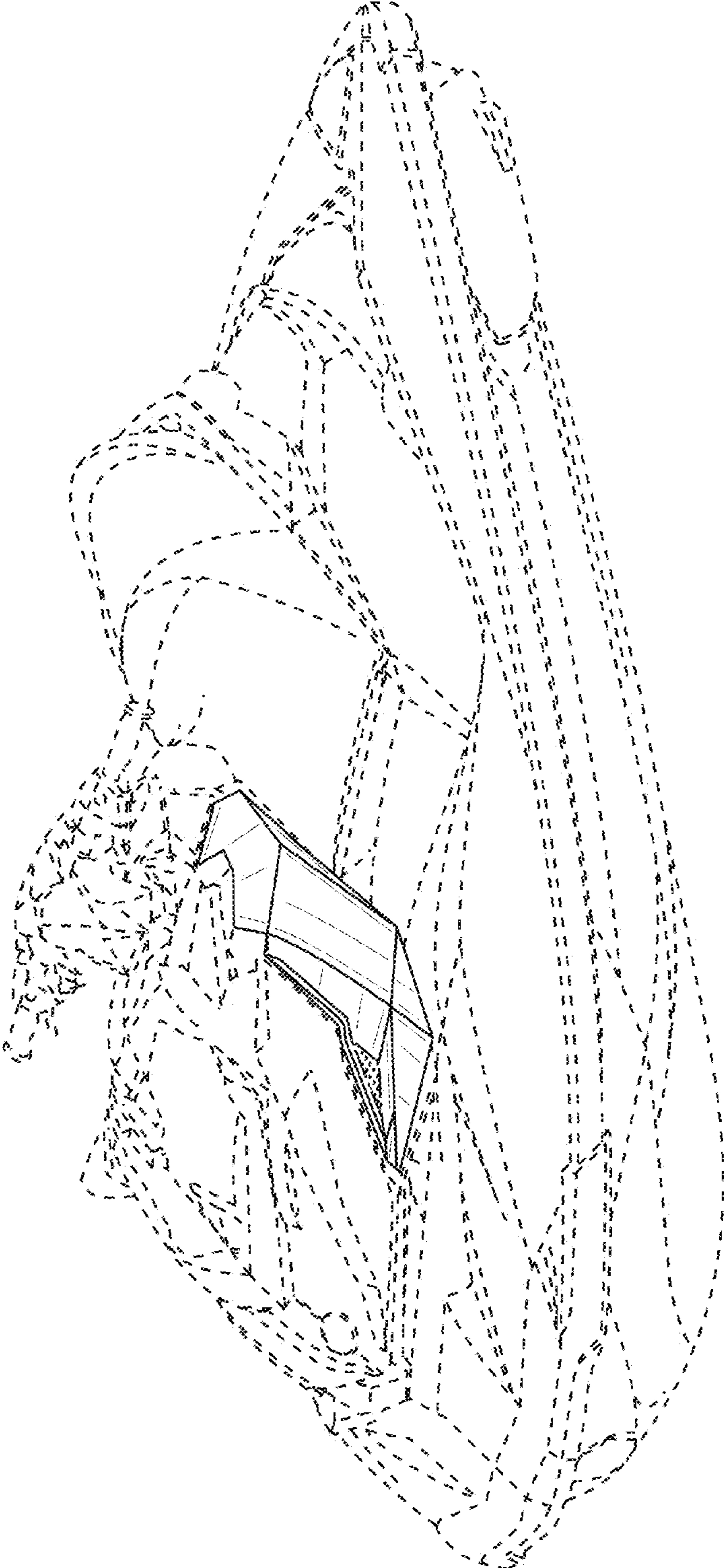


FIG. 7

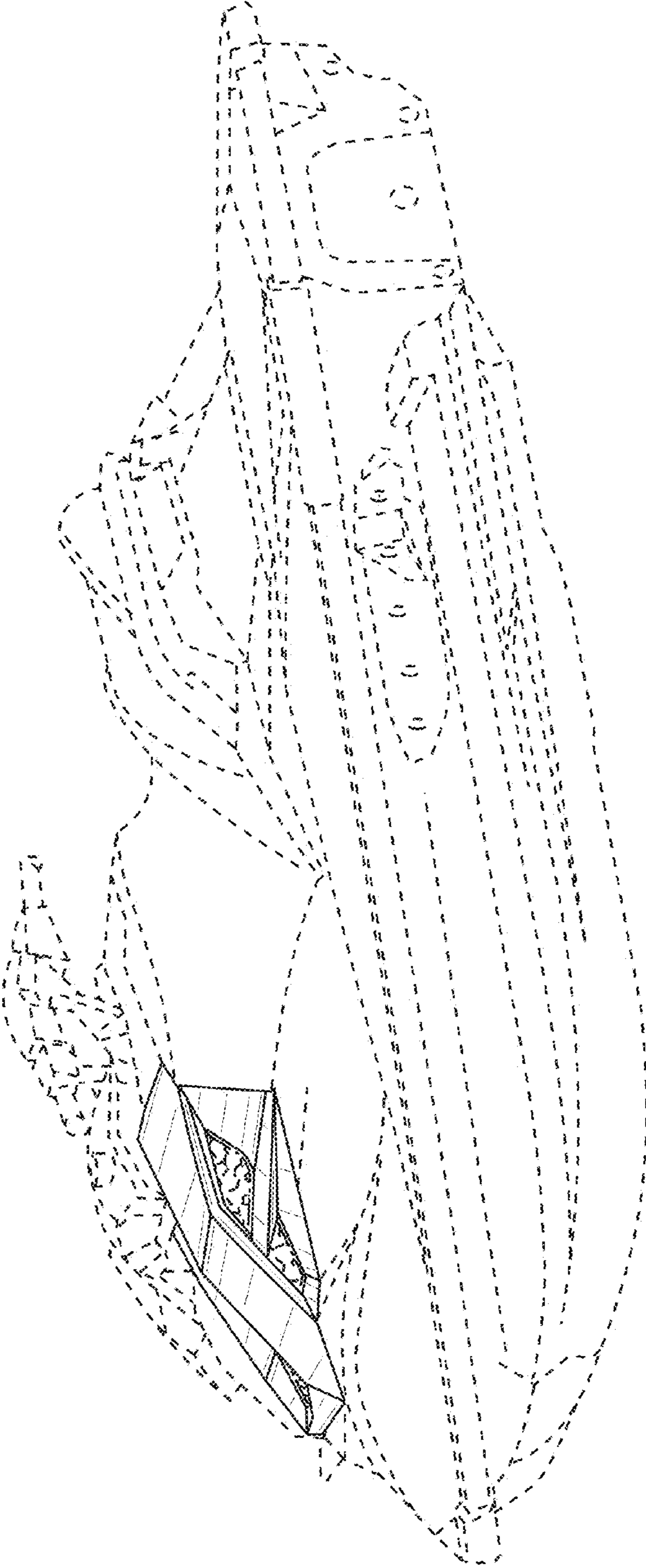


FIG. 8

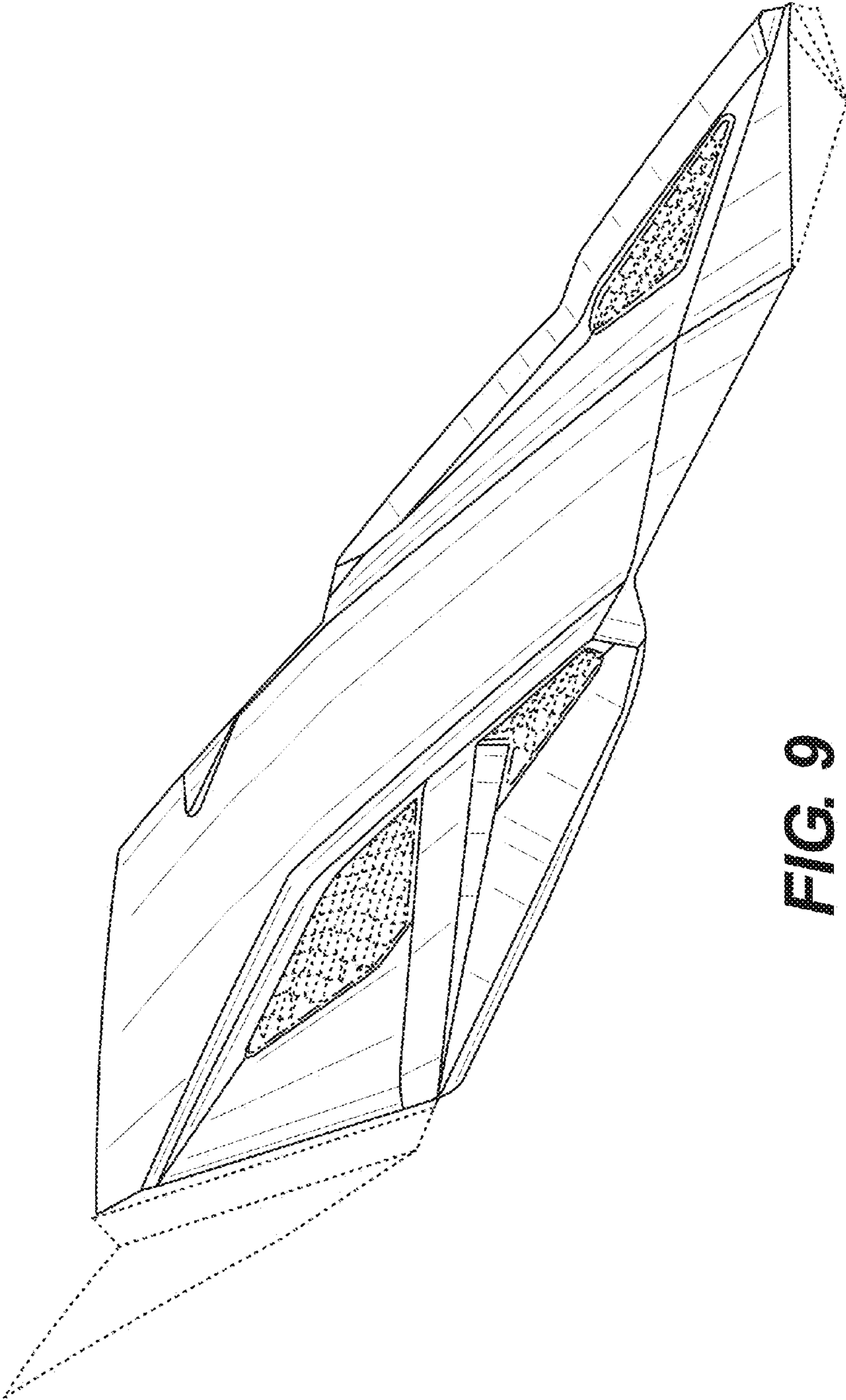


FIG. 9

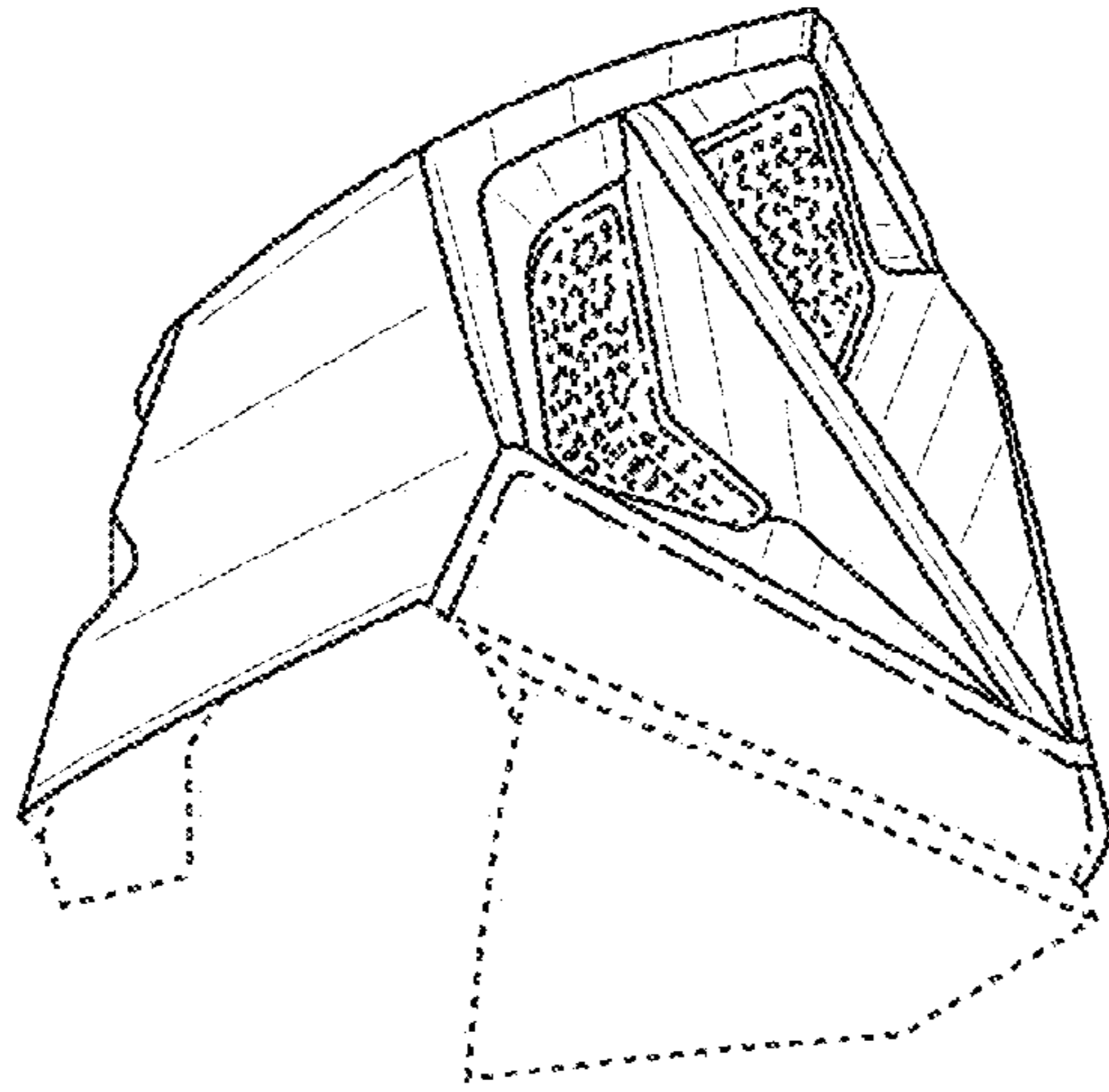


FIG. 11

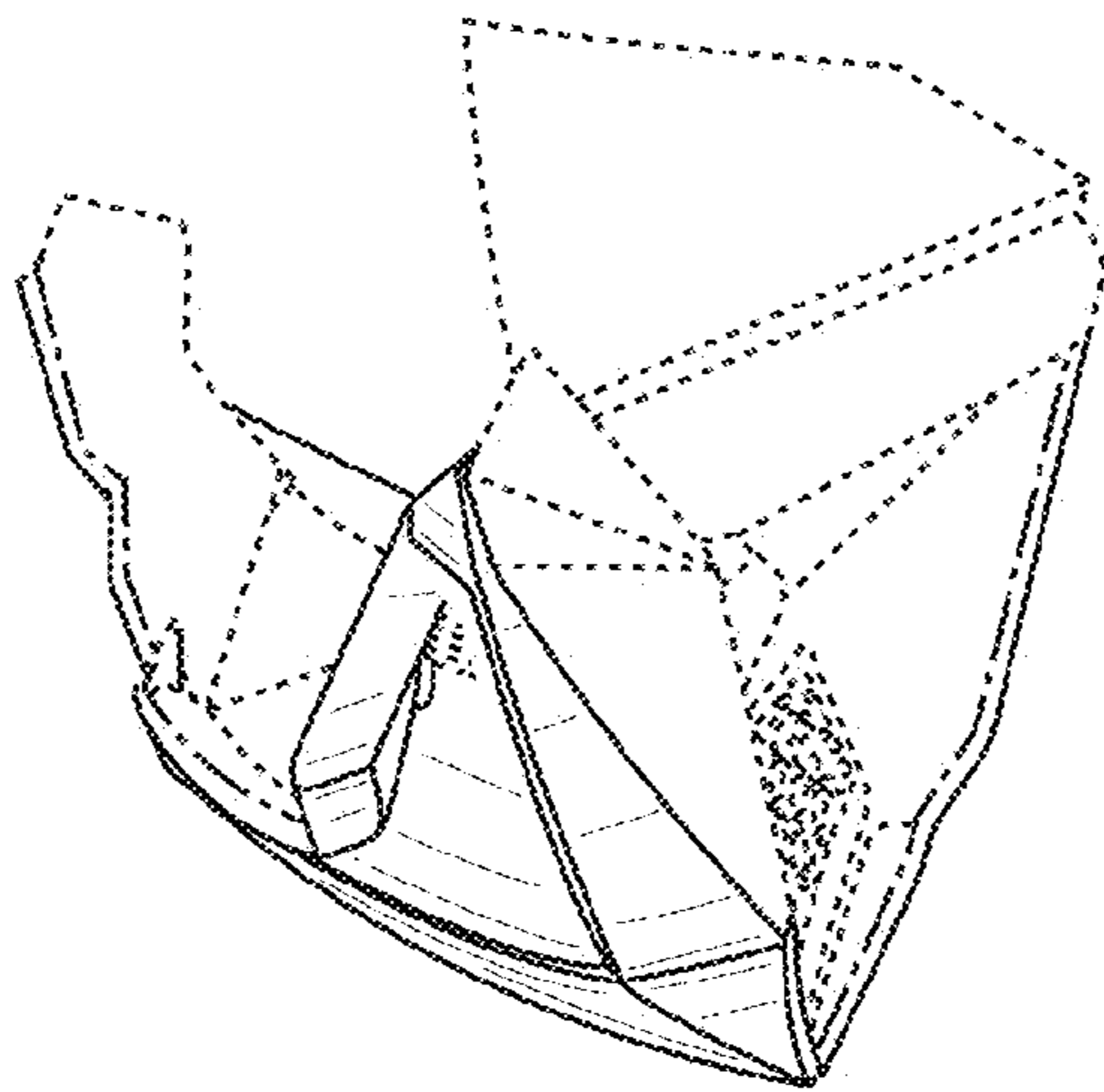


FIG. 10

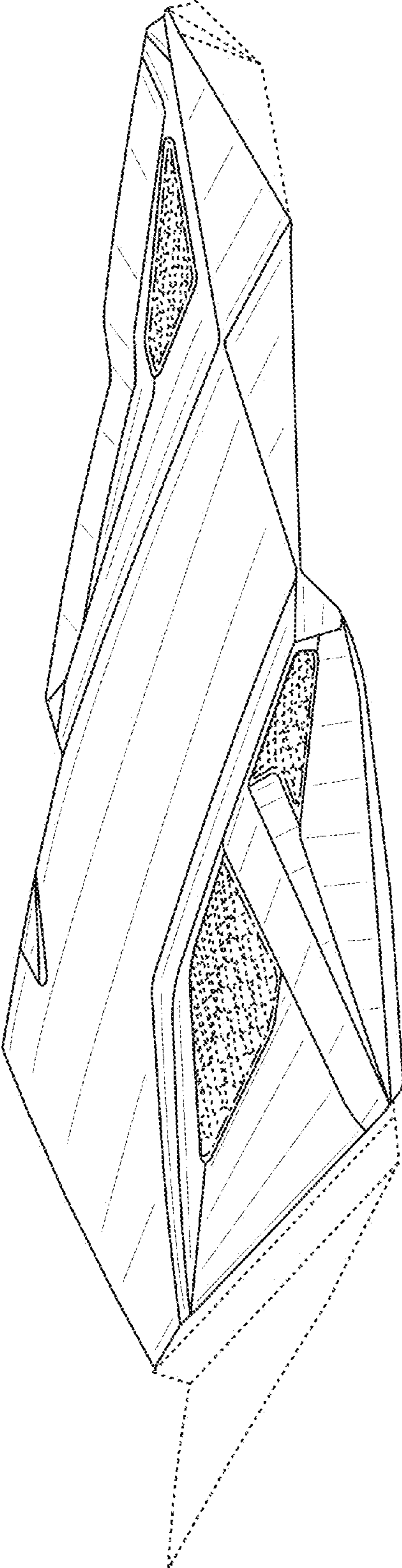


FIG. 12

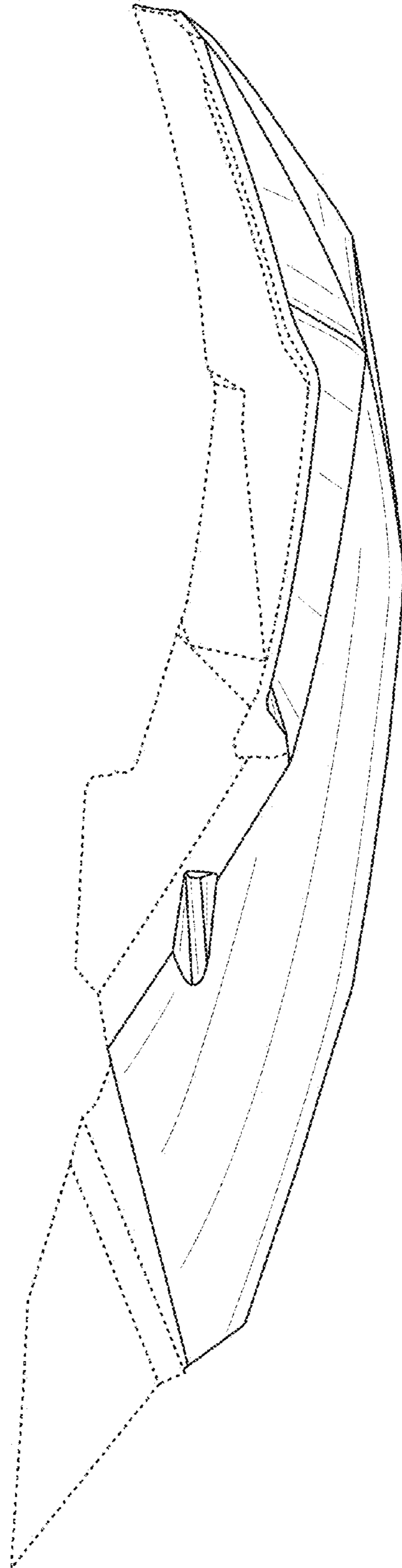


FIG. 13

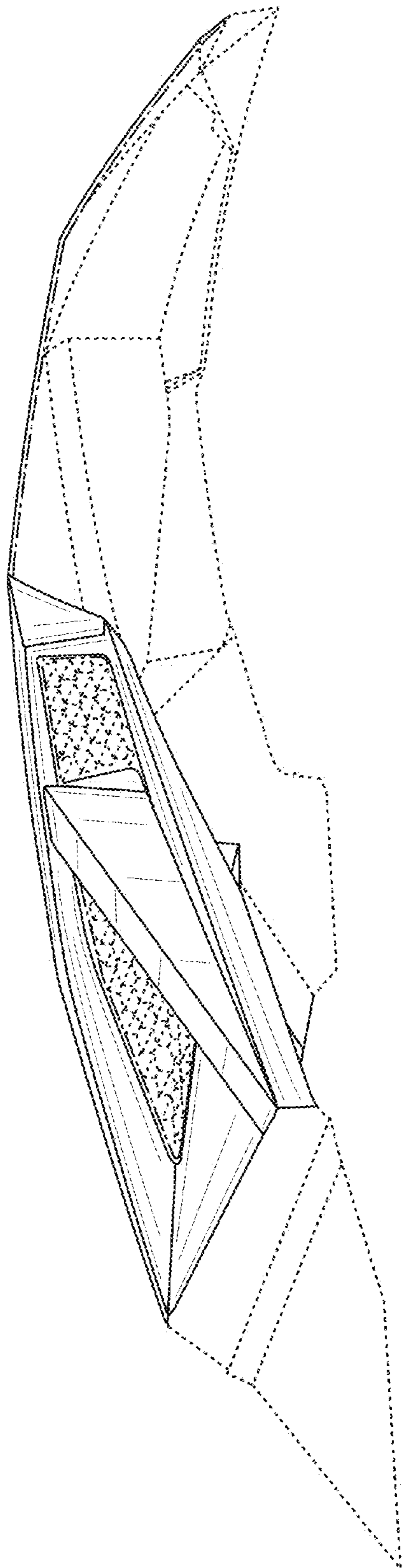


FIG. 14

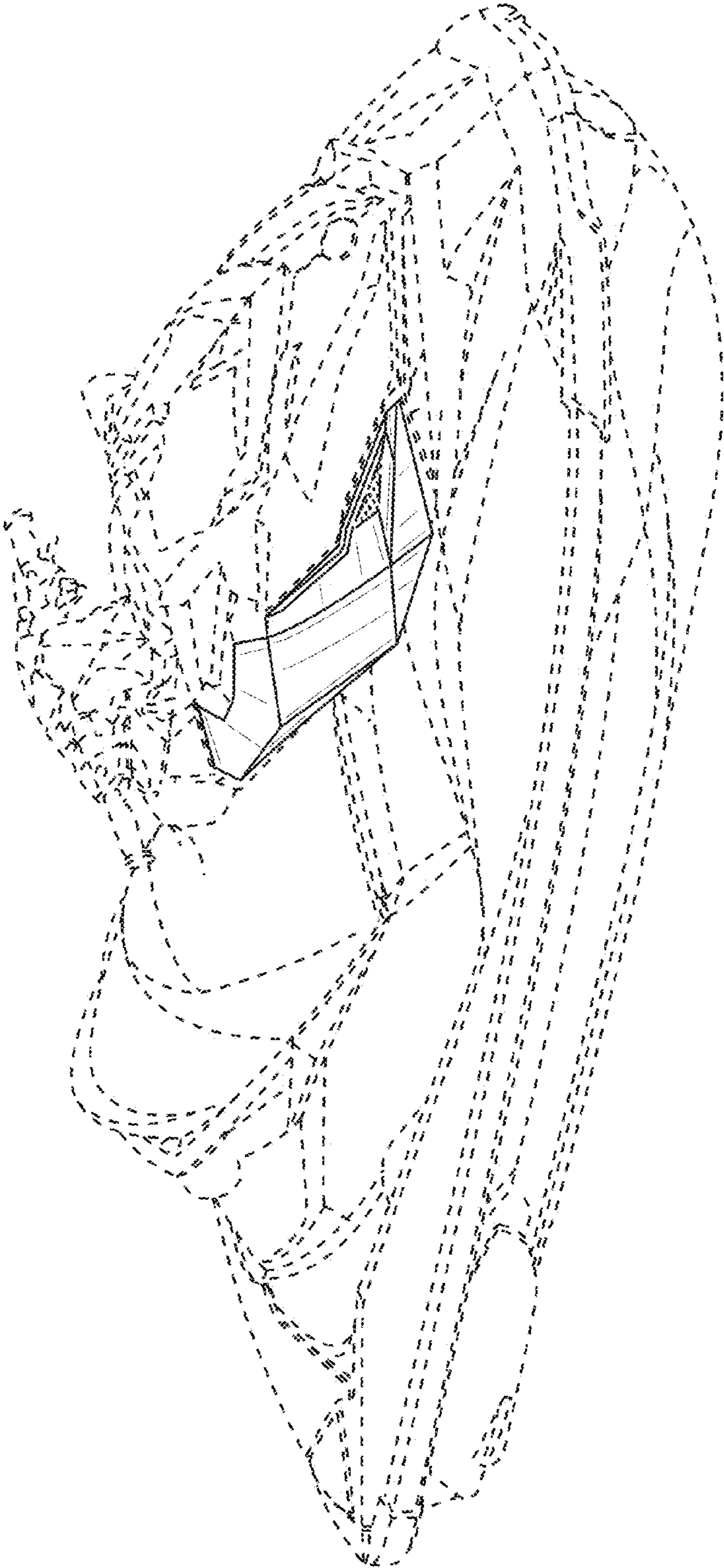


FIG. 15

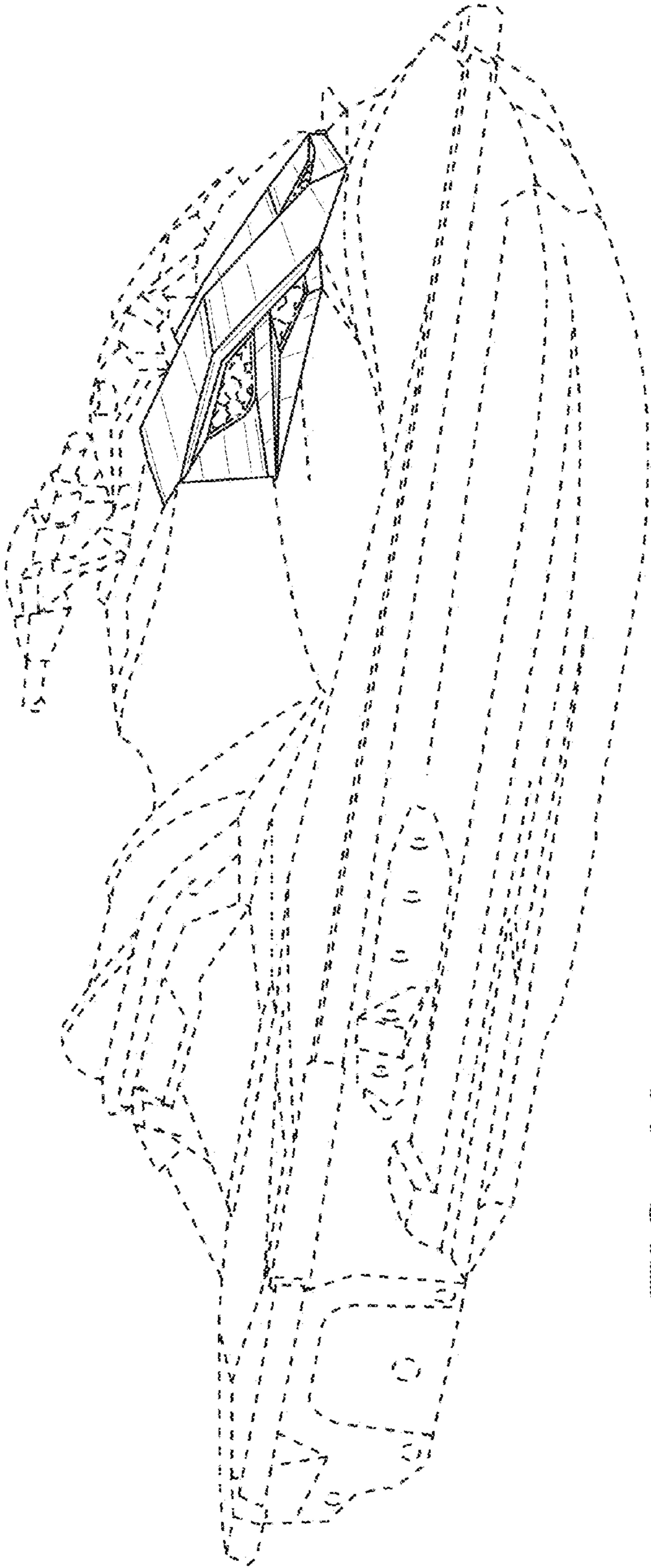


FIG. 16