



US00D691937S

(12) **United States Design Patent**
Chan

(10) **Patent No.:** **US D691,937 S**

(45) **Date of Patent:** **** Oct. 22, 2013**

(54) **VEHICLE WHEEL**

(71) Applicant: **Prestige Autotech Corporation**, Chino, CA (US)

(72) Inventor: **Gordon Chan**, Temple City, CA (US)

(73) Assignee: **Prestige Autotech Corporation**, Chino, CA (US)

(**) Term: **14 Years**

(21) Appl. No.: **29/452,889**

(22) Filed: **Apr. 23, 2013**

(51) **LOC (9) Cl.** **12-16**

(52) **U.S. Cl.**
USPC **D12/209**

(58) **Field of Classification Search**
USPC D12/204-213; 301/37.101, 64.101, 65,
301/64.201

See application file for complete search history.

(56) **References Cited**

U.S. PATENT DOCUMENTS

D579,845 S *	11/2008	Chung	D12/209
D629,347 S *	12/2010	Kim	D12/211
D638,763 S *	5/2011	Chung	D12/209
D639,222 S *	6/2011	Johnson	D12/209
D659,067 S *	5/2012	Lee	D12/209
D666,955 S *	9/2012	Chung	D12/209

D669,009 S *	10/2012	Chung	D12/211
D675,970 S *	2/2013	Lee	D12/209
D678,160 S *	3/2013	Claunch	D12/209
D680,936 S *	4/2013	Claunch	D12/209
D681,534 S *	5/2013	Zhao	D12/211
D684,101 S *	6/2013	Alfonso	D12/211

OTHER PUBLICATIONS

Prestigeautotechcorporation Catalog 2011/2012, cover and p. 4; enlarged photos of Item Nos. 904, 044, 522, 810 (chrome), 810 (black), 811 (chrome), 811 (black), 813 (black with red inserts), 813 (black), 814 (chrome), 814 (black with red inserts), 814 (black), appearing on p. 4, and 3 photographs of the center cap of each of the forgoing item Nos.

* cited by examiner

Primary Examiner — Stacia Cadmus

(74) *Attorney, Agent, or Firm* — Fulwider Patton LLP

(57) **CLAIM**

The ornamental design for the “vehicle wheel,” as shown and described.

DESCRIPTION

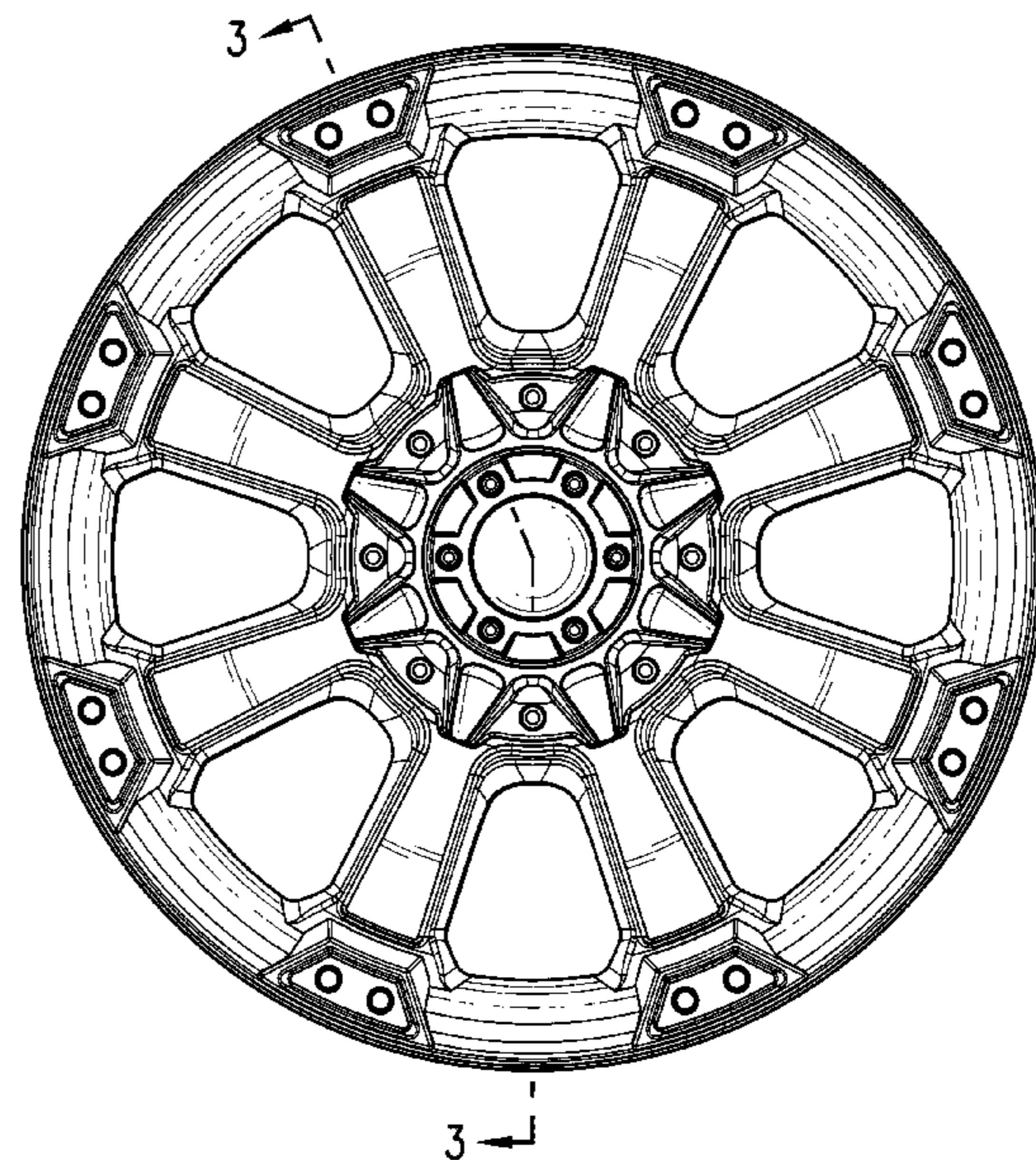
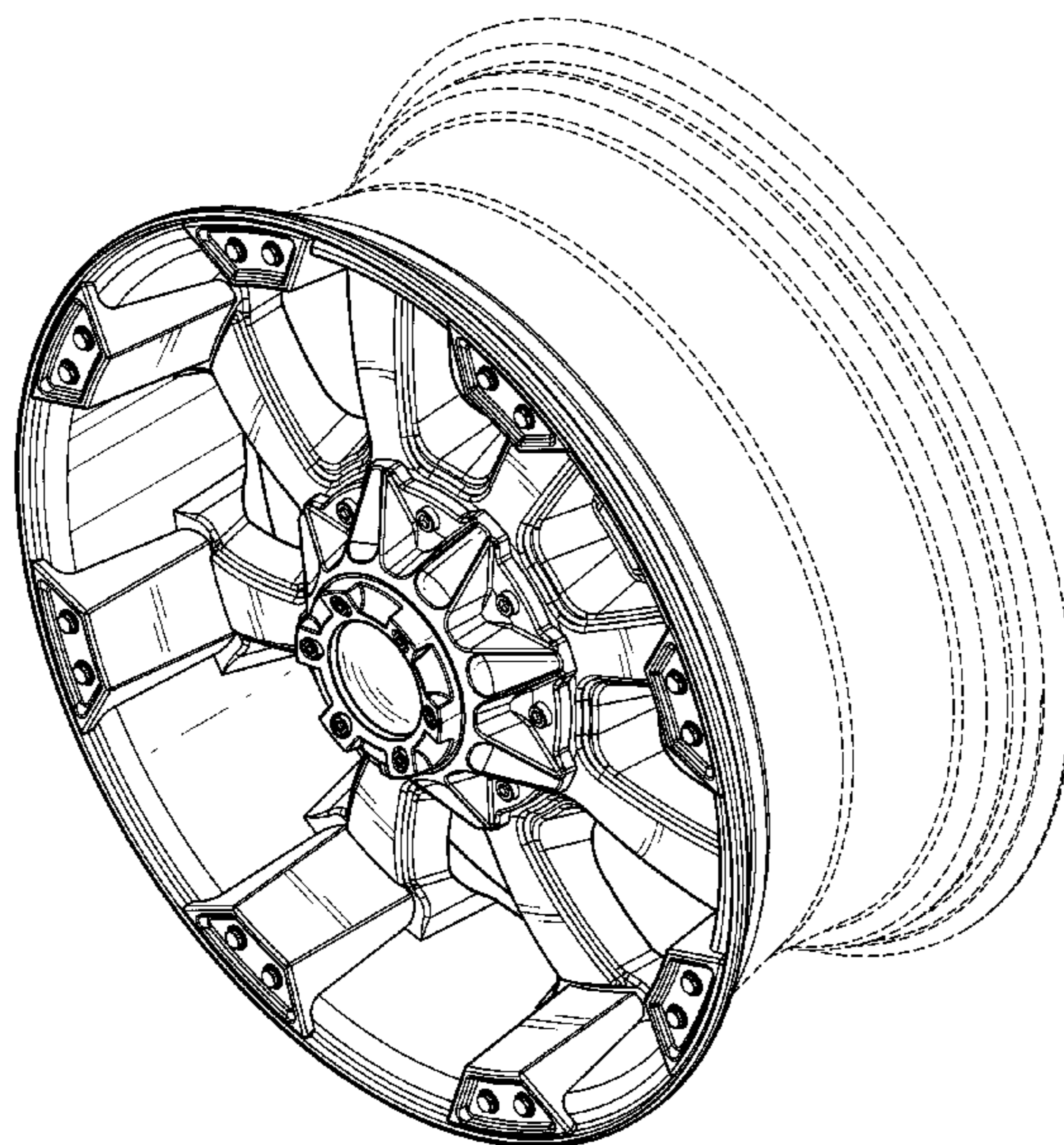
FIG. 1 is a perspective view of the vehicle wheel showing my new design;

FIG. 2 is a front elevational view thereof; and,

FIG. 3 is a cross-sectional view taken along the line 3-3 of FIG. 2.

The broken lines showing the environment are for illustrative purposes only and form no part of the claimed design.

1 Claim, 3 Drawing Sheets



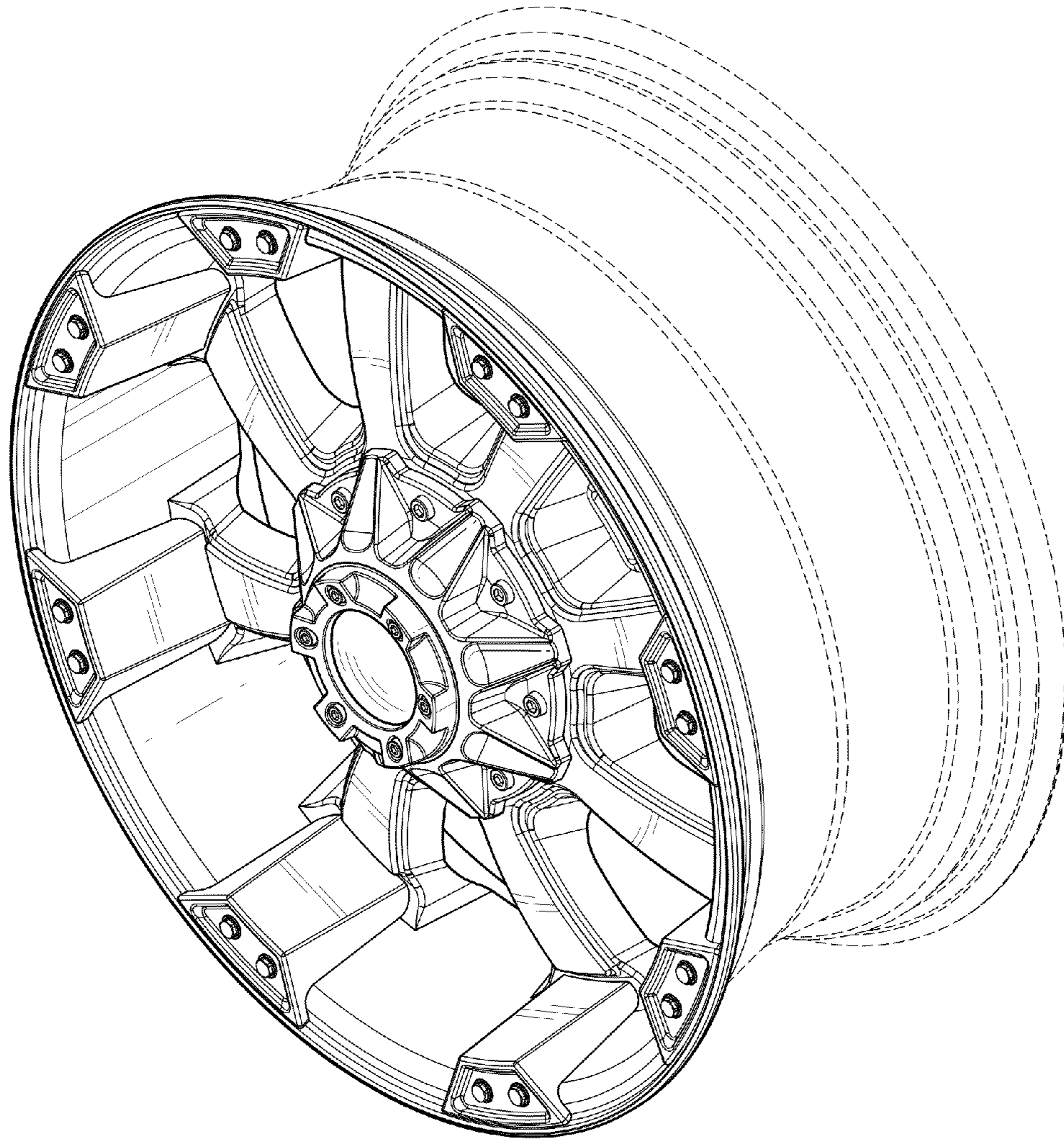


FIG. 1

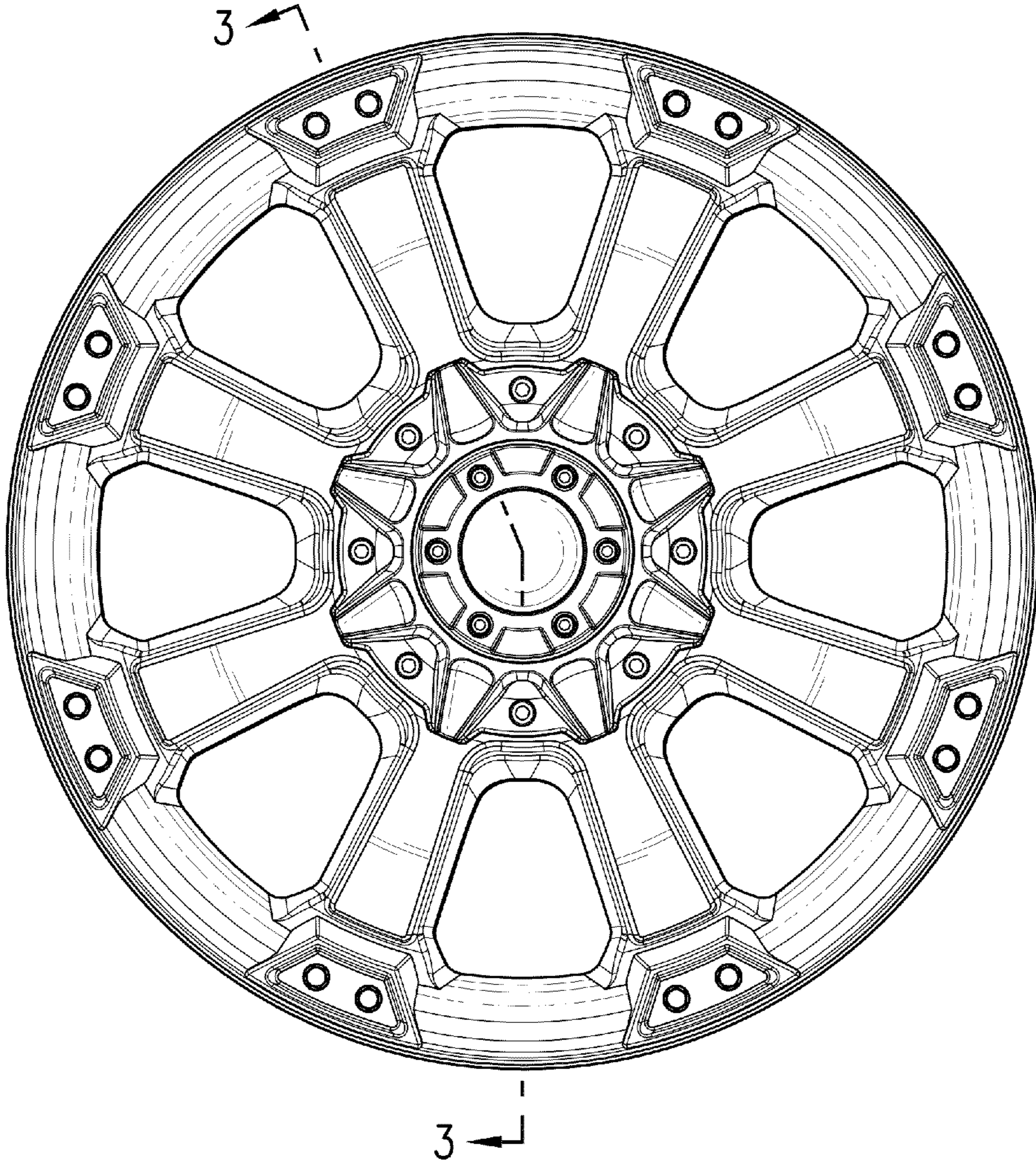


FIG. 2

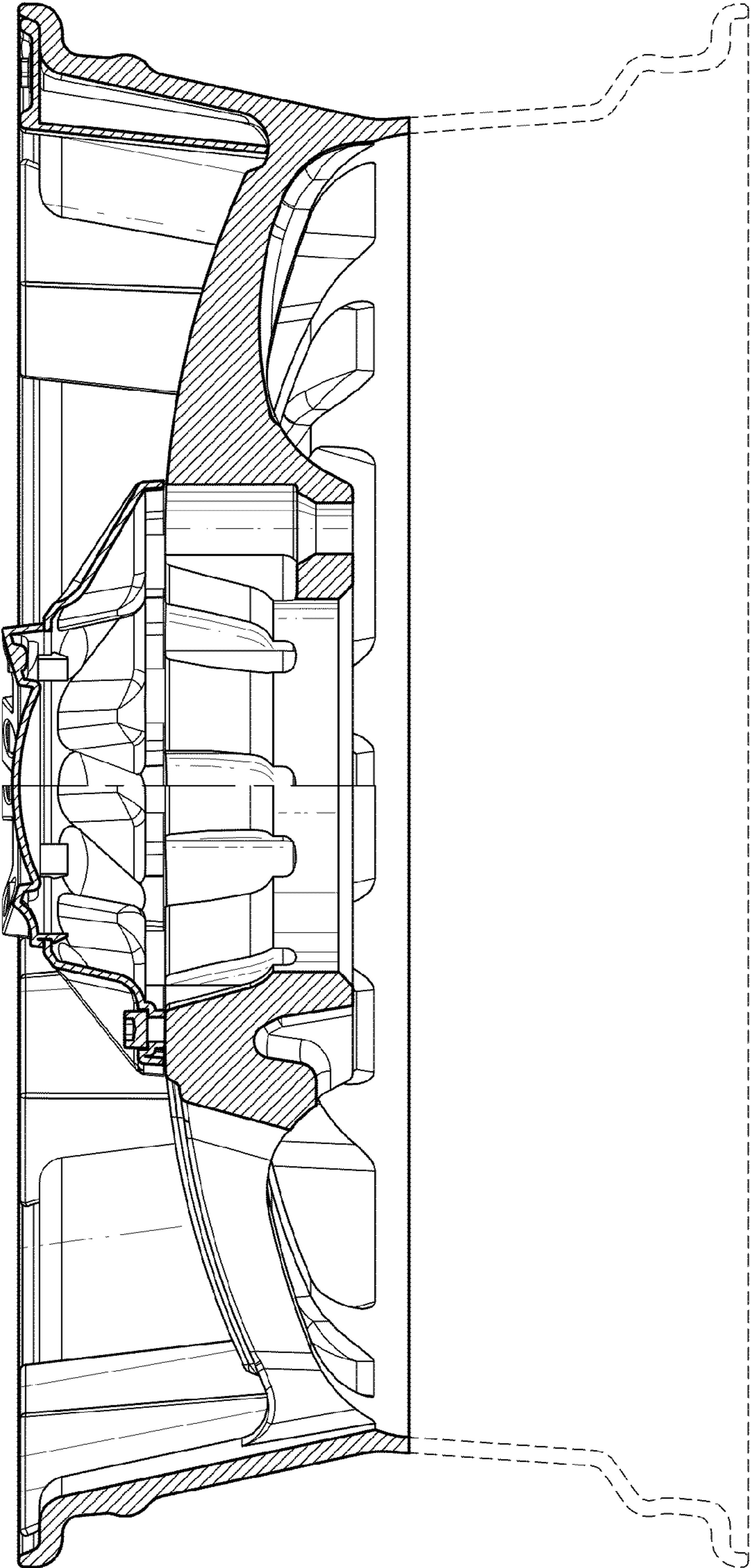


FIG. 3