



US00D691934S

(12) **United States Design Patent**  
**Zhao**

(10) **Patent No.:** **US D691,934 S**  
(45) **Date of Patent:** **\*\* Oct. 22, 2013**

(54) **VEHICLE MIRROR**  
(71) Applicant: **GM Global Technology Operations LLC, Detroit, MI (US)**  
(72) Inventor: **Samuel Zhao, Sterling Heights, MI (US)**  
(73) Assignee: **GM Global Technology Operations LLC, Detroit, MI (US)**

D572,643 S *	7/2008	Imai et al. ....	D12/187
D598,349 S *	8/2009	Kato et al. ....	D12/187
D606,469 S *	12/2009	Varga .....	D12/187
D621,313 S *	8/2010	Kimura et al. ....	D12/187
D631,414 S *	1/2011	Hakamata .....	D12/187
D653,595 S *	2/2012	Matsubara et al. ....	D12/187
D666,542 S *	9/2012	Asano et al. ....	D12/187
2006/0050423 A1 *	3/2006	Secanu et al. ....	359/871
2009/0268321 A1 *	10/2009	Wilson .....	359/868
2010/0195228 A1 *	8/2010	Sinelli et al. ....	359/866

(\*\*) Term: **14 Years**

\* cited by examiner

(21) Appl. No.: **29/440,428**

*Primary Examiner* — Katrina A Betton

(22) Filed: **Dec. 21, 2012**

(74) *Attorney, Agent, or Firm* — Parks IP Law LLC; Mickki D. Murray

(51) **LOC (9) Cl.** ..... **12-16**

(52) **U.S. Cl.**  
USPC ..... **D12/187**

(57) **CLAIM**

The ornamental design for a vehicle mirror, as shown and described.

(58) **Field of Classification Search**  
USPC ..... D12/187, 188–189; D6/300, 309;  
359/838, 841, 842, 843, 844, 868, 871,  
359/604, 881, 514, 866; 248/479–483,  
248/475.1

**DESCRIPTION**

See application file for complete search history.

FIG. 1 is a perspective view of a vehicle mirror showing the new design;

FIG. 2 is a front view, thereof;

FIG. 3 is a rear view, thereof;

FIG. 4 is a side view, thereof; and,

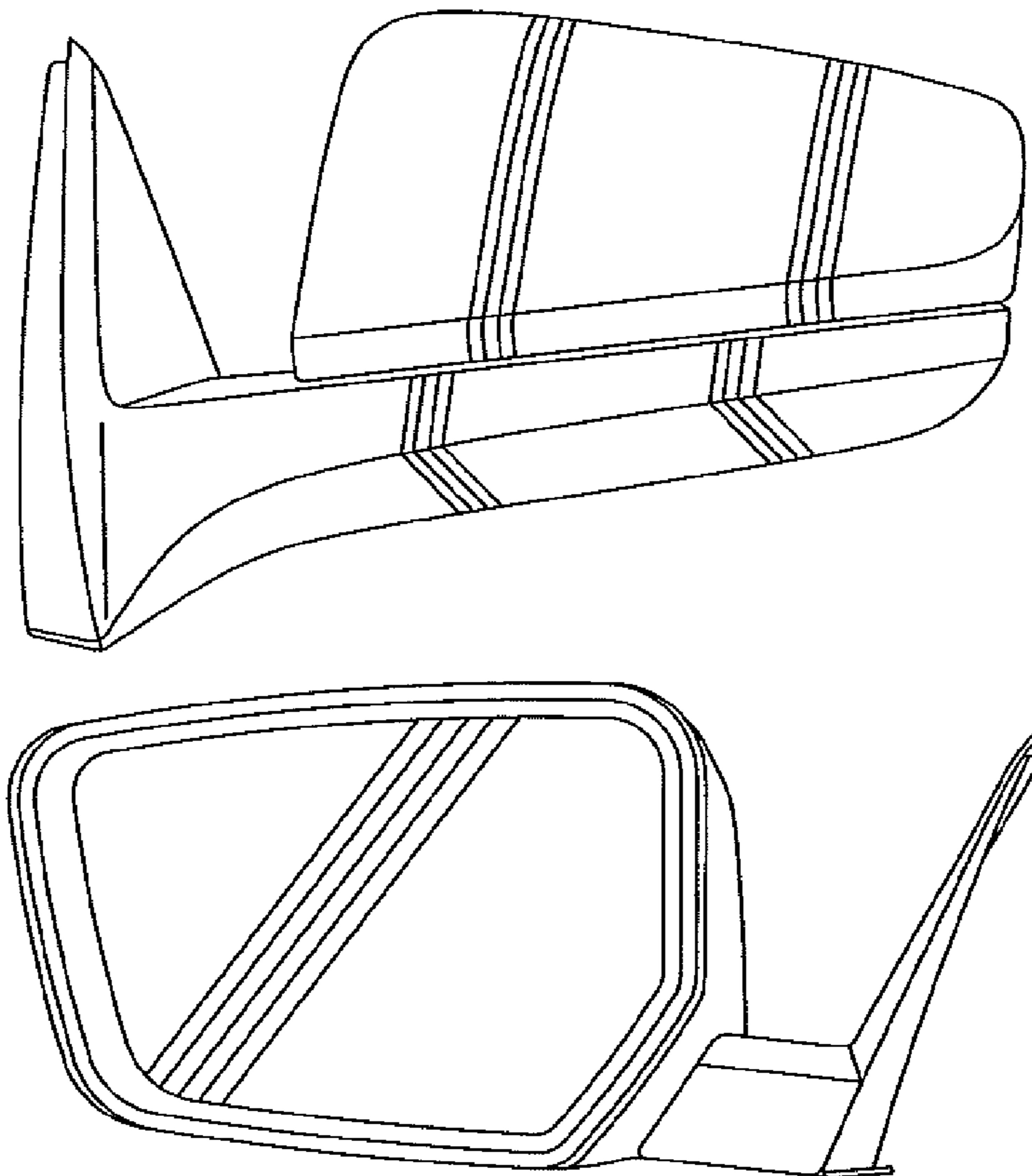
FIG. 5 is a top plan view, thereof.

(56) **References Cited**

**U.S. PATENT DOCUMENTS**

6,488,382 B1 *	12/2002	Mertens .....	359/871
D552,019 S *	10/2007	Kubota et al. ....	D12/187

**1 Claim, 2 Drawing Sheets**



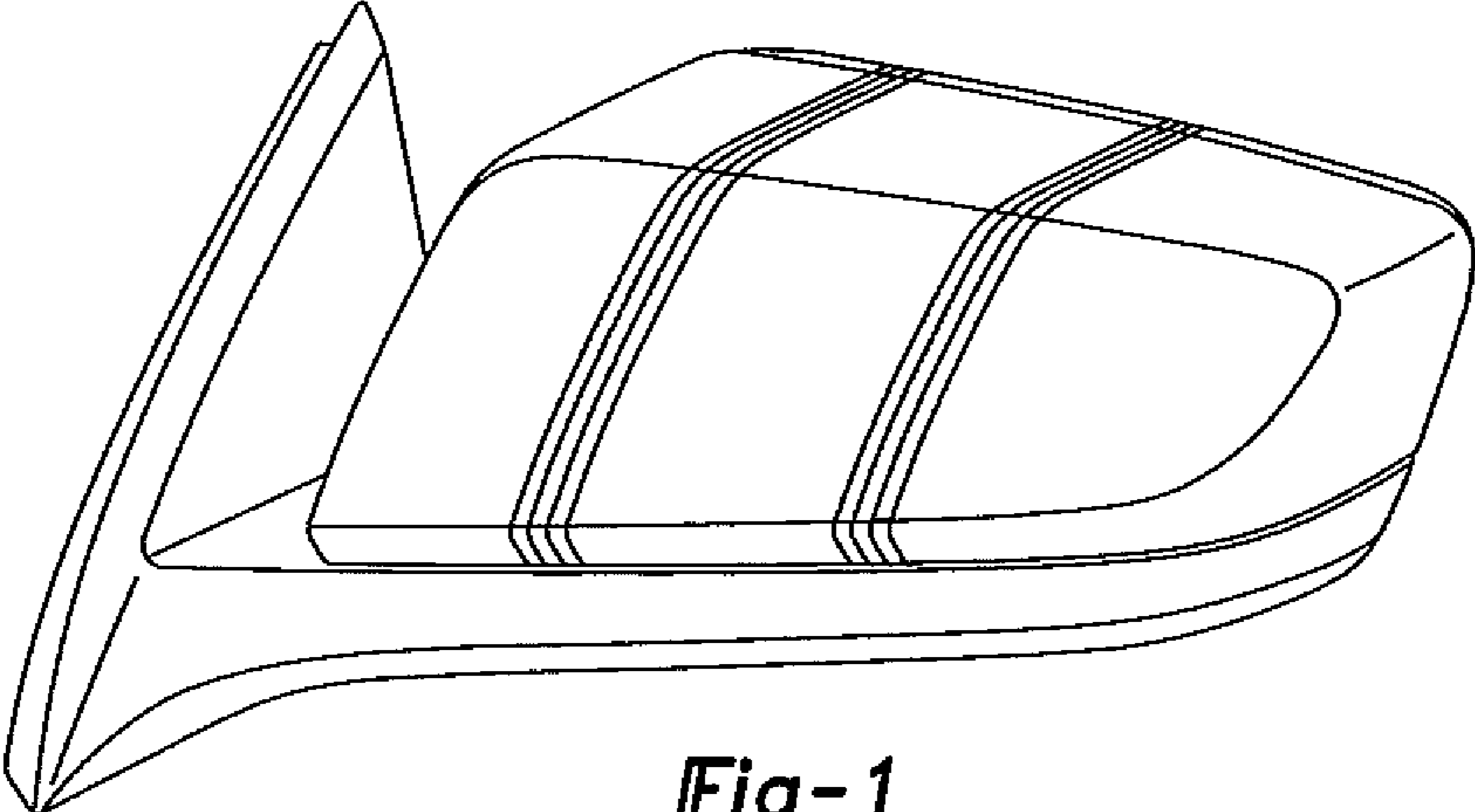


Fig-1

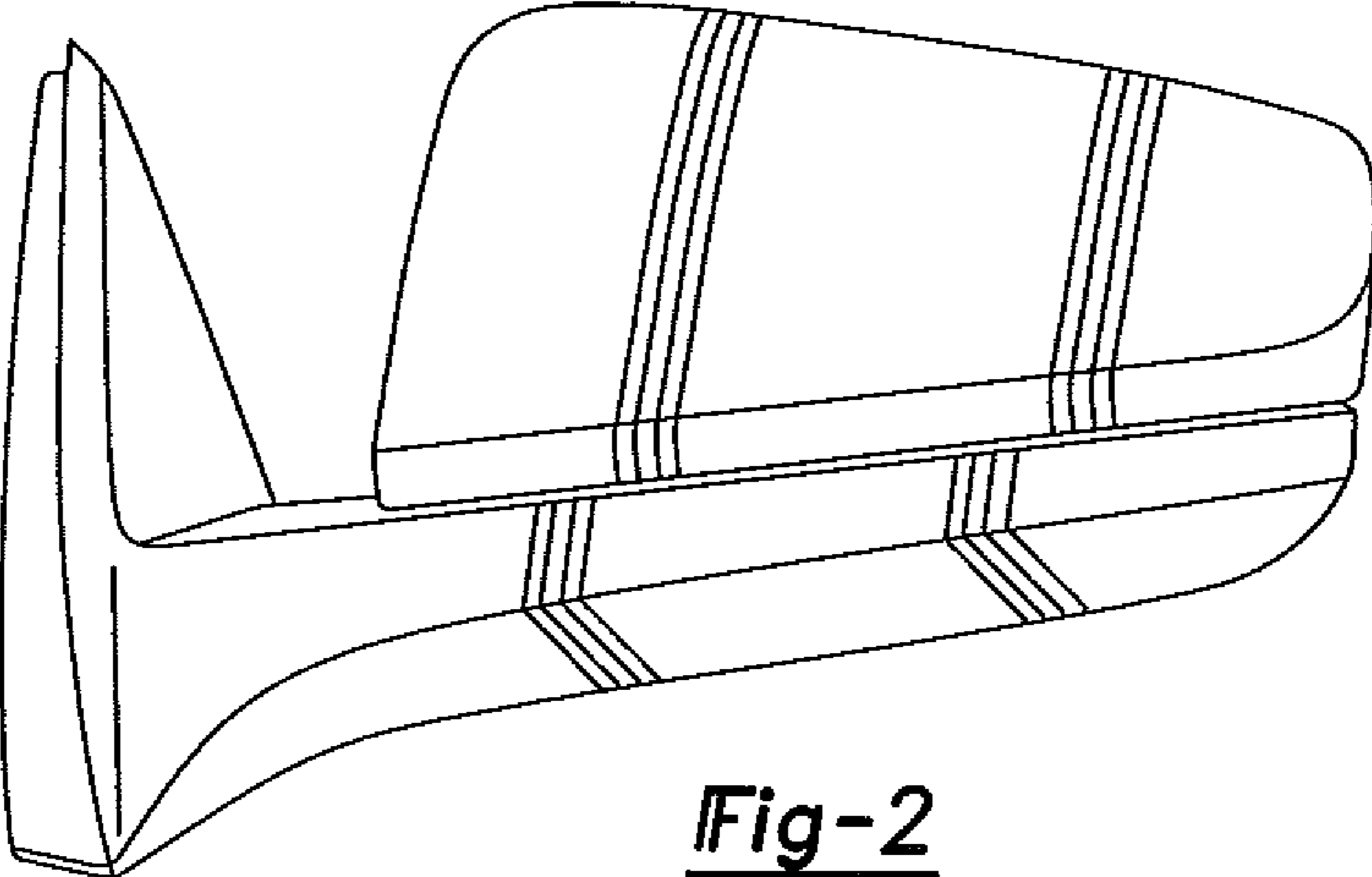


Fig-2

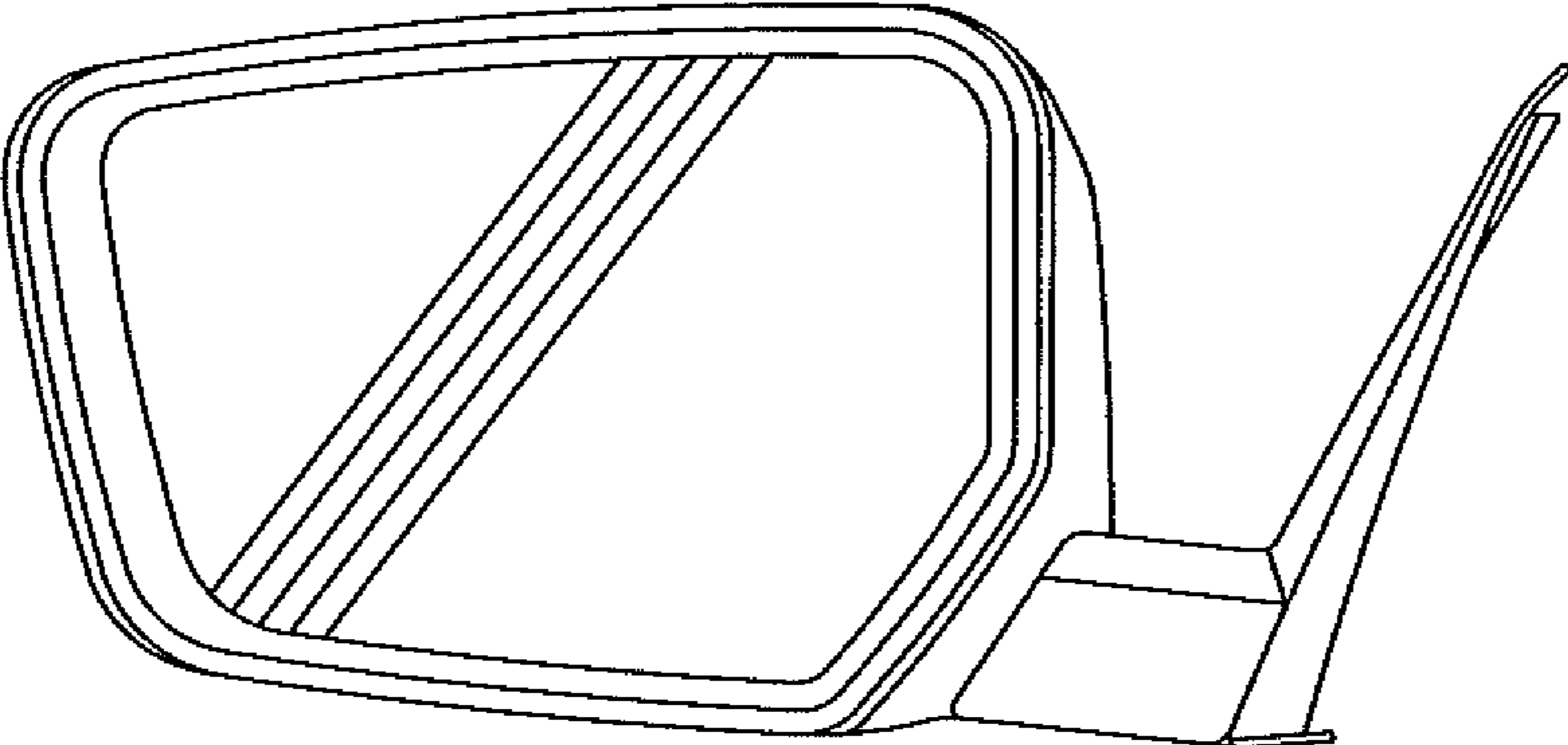


Fig-3

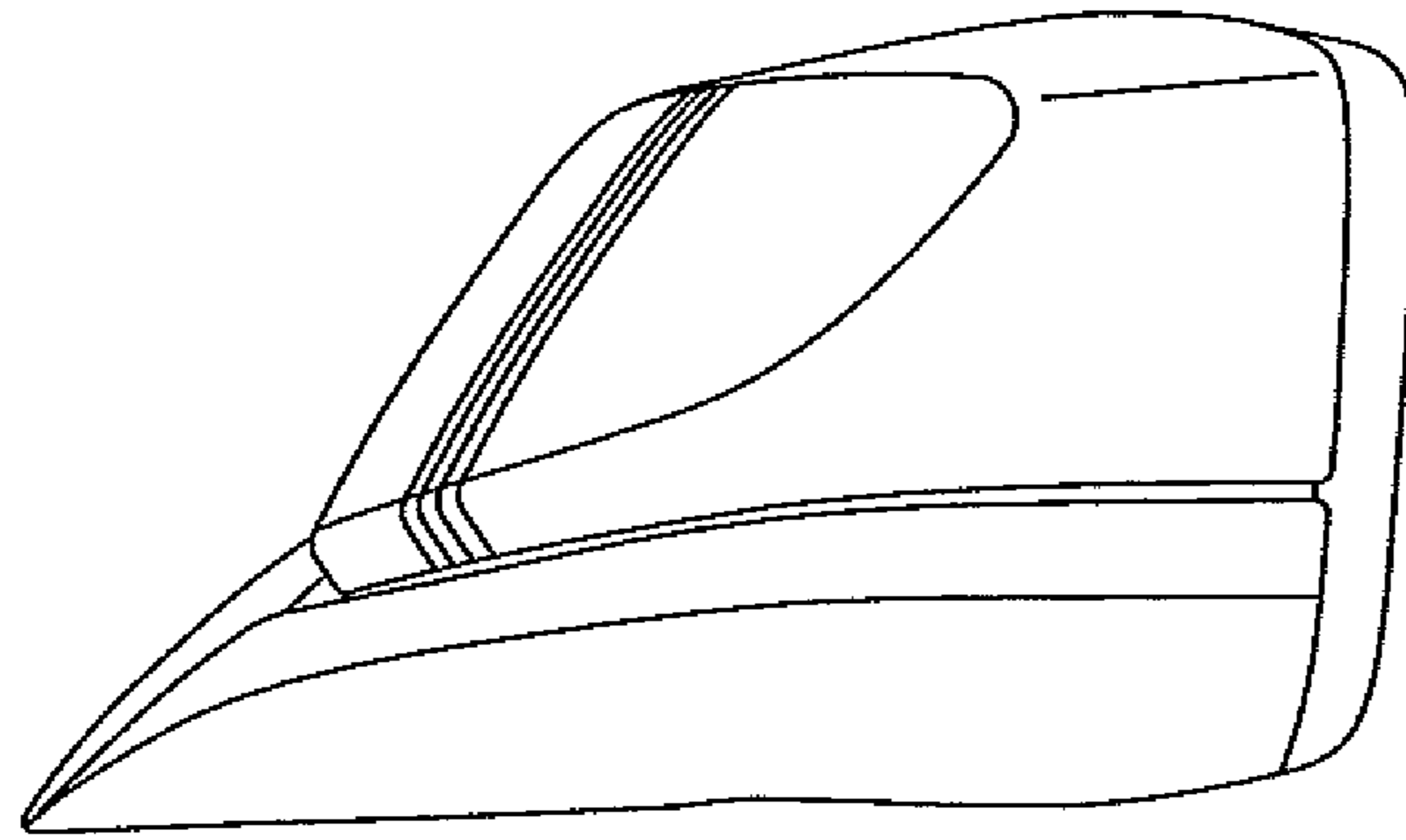


Fig-4

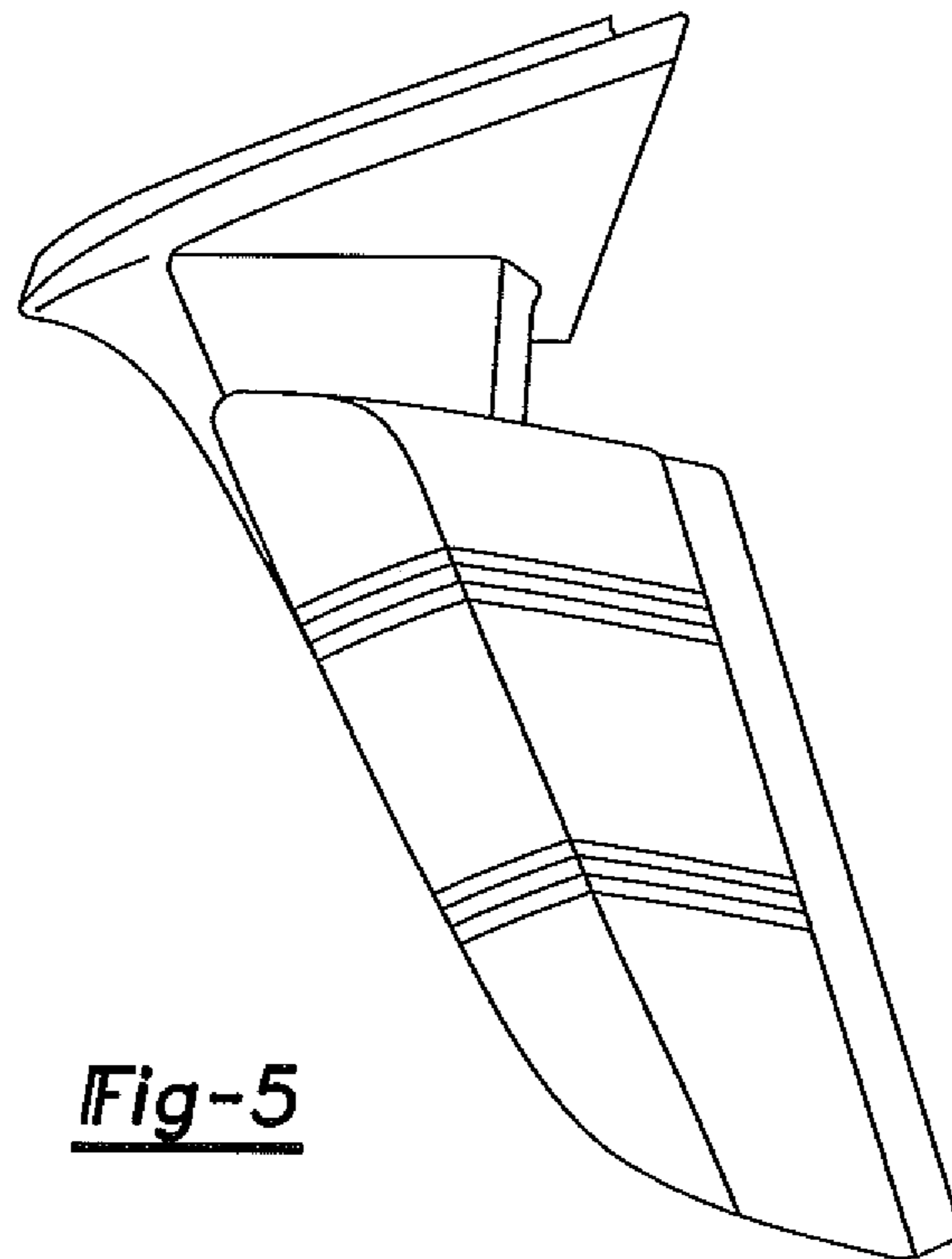


Fig-5