



US00D691932S

(12) **United States Design Patent**
Tse et al.

(10) **Patent No.:** **US D691,932 S**
(45) **Date of Patent:** **** Oct. 22, 2013**

(54) **STEERING WHEEL**

D671,464 S * 11/2012 Baccus et al. D12/176
D684,511 S * 6/2013 Koyama D12/176

(75) Inventors: **Eric Tse**, Charlotte, NC (US); **Jeffrey C. Hickman**, Concord, NC (US)

* cited by examiner

(73) Assignee: **Husqvarna Consumer Outdoor Products N.A., Inc.**, Charlotte, NC (US)

Primary Examiner — Melody Brown

(74) *Attorney, Agent, or Firm* — Nelson Mullins Riley & Scarborough LLP

(**) Term: **14 Years**

(57) **CLAIM**

The ornamental design for a steering wheel, as shown described.

(21) Appl. No.: **29/424,932**

DESCRIPTION

(22) Filed: **Jun. 18, 2012**

(51) **LOC (9) Cl.** **12-16**

(52) **U.S. Cl.**
USPC **D12/176**

(58) **Field of Classification Search**
USPC D12/175, 176; 74/552, 558, 558.5
See application file for complete search history.

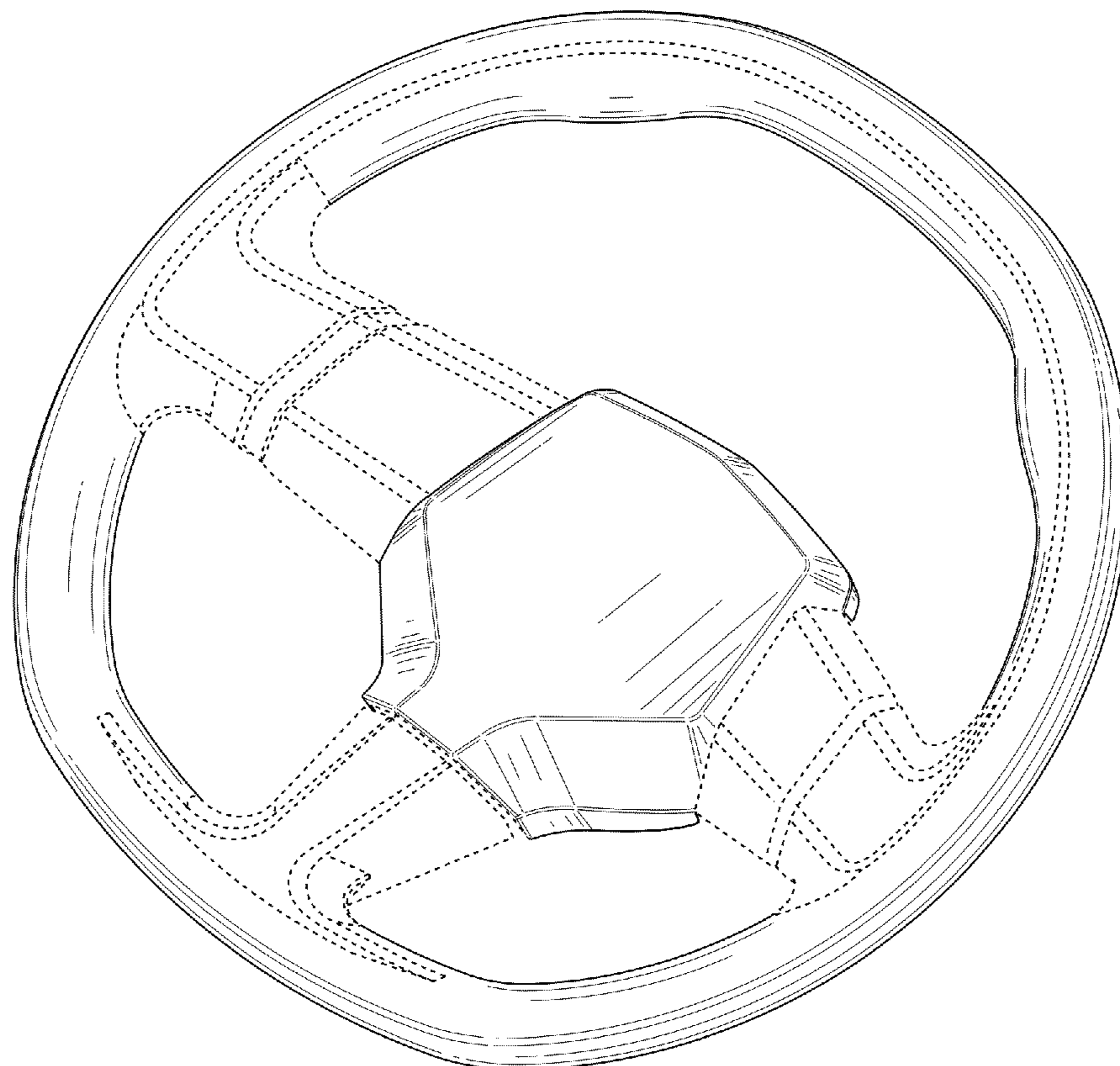
FIG. 1 is a perspective view of a steering wheel in accordance with an embodiment of the present invention; FIG. 2 is a front view of the steering wheel of FIG. 1; FIG. 3 is a rear view of the steering wheel of FIG. 1; FIG. 4 is a top view of the steering wheel of FIG. 1; FIG. 5 is a bottom view of the steering wheel of FIG. 1; FIG. 6 is a right side view of the steering wheel of FIG. 1; and, FIG. 7 is a left side view of the steering wheel of FIG. 1. The broken lines of FIGS. 1-7 are illustrative of the visible environmental structure of the steering wheel and form no part of the claimed design.

(56) **References Cited**

U.S. PATENT DOCUMENTS

D653,180 S * 1/2012 Tanaka et al. D12/176
D666,131 S * 8/2012 Gasevski et al. D12/176

1 Claim, 7 Drawing Sheets



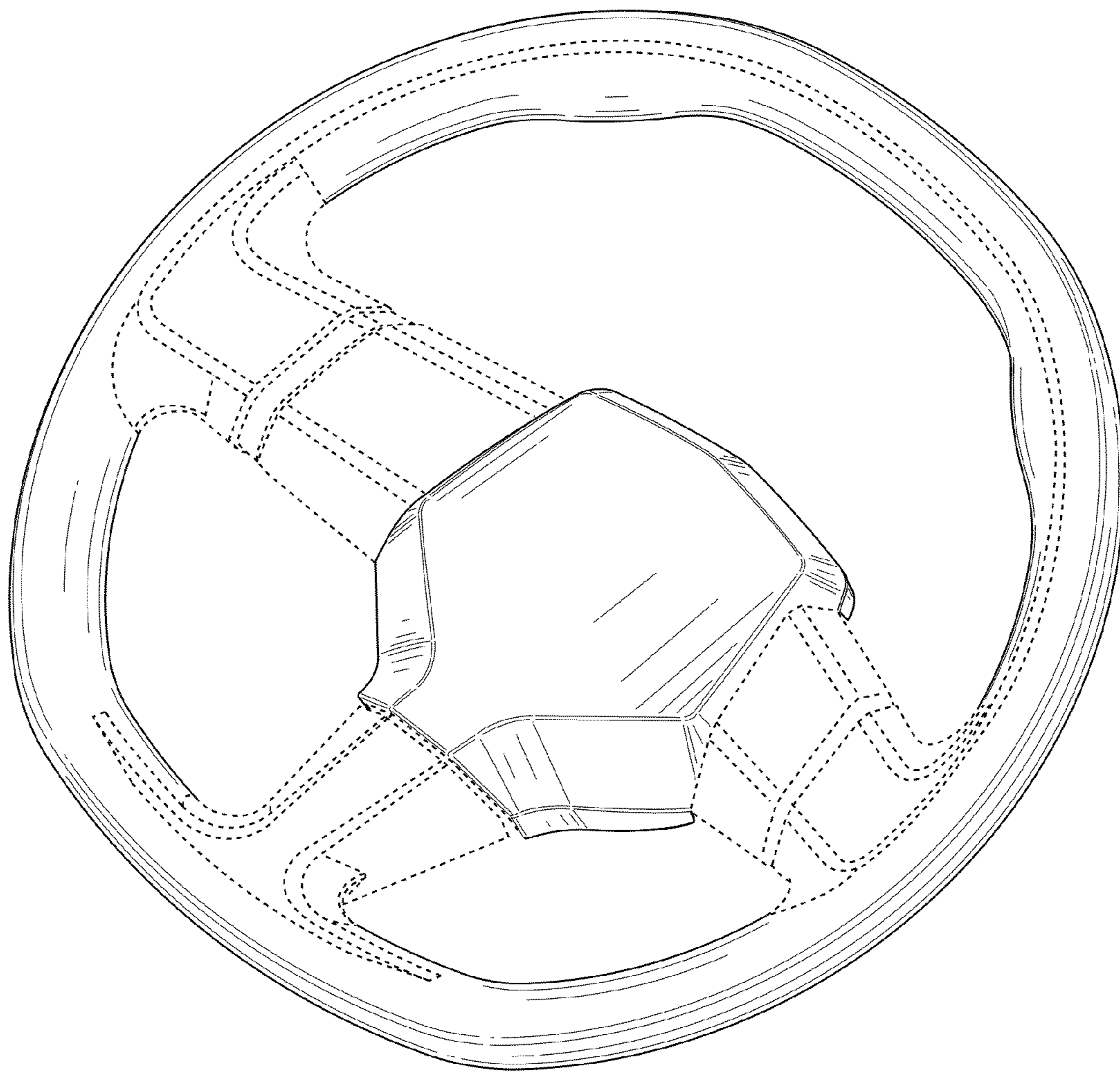


FIG. 1

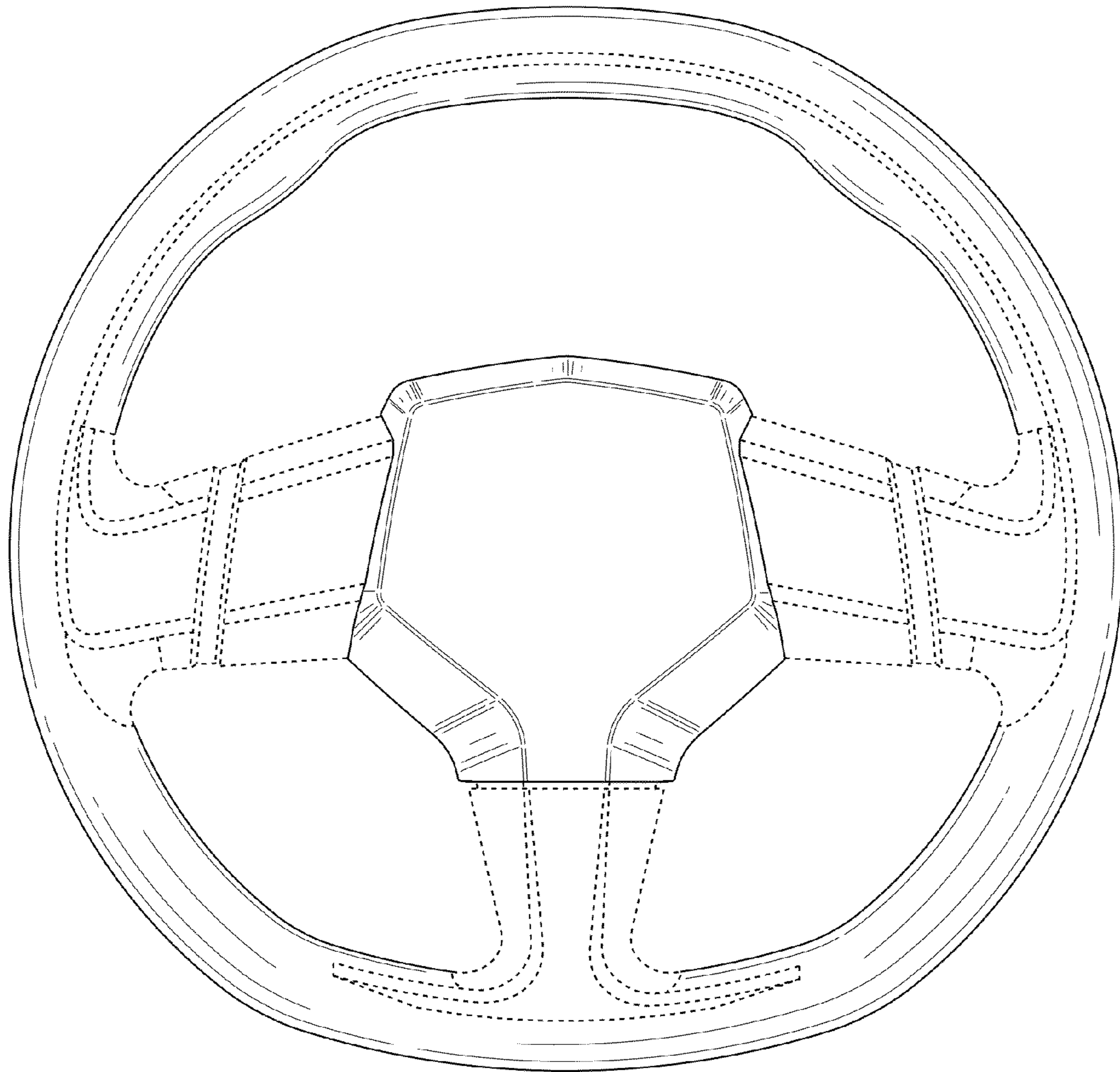


FIG. 2

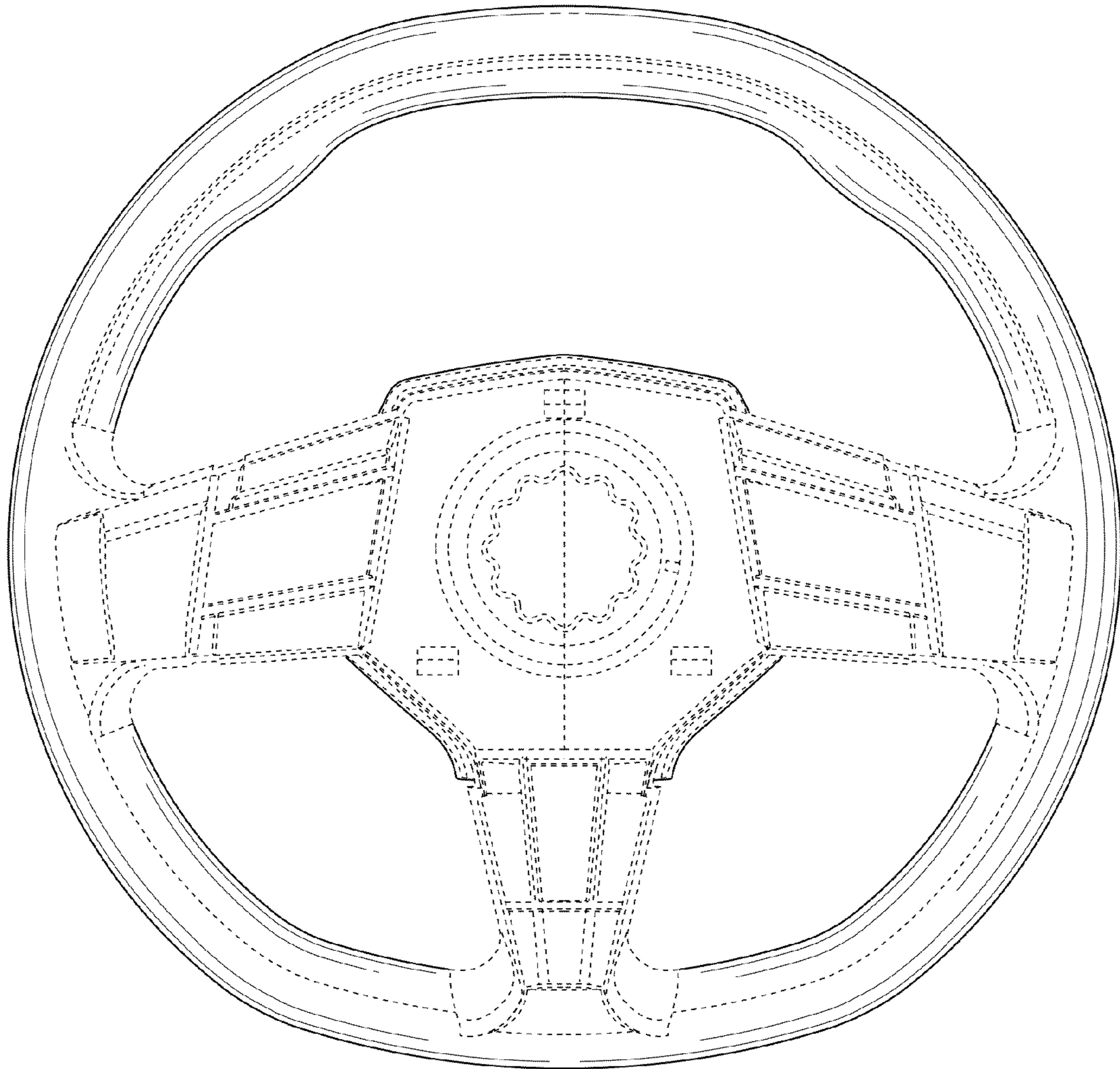


FIG. 3

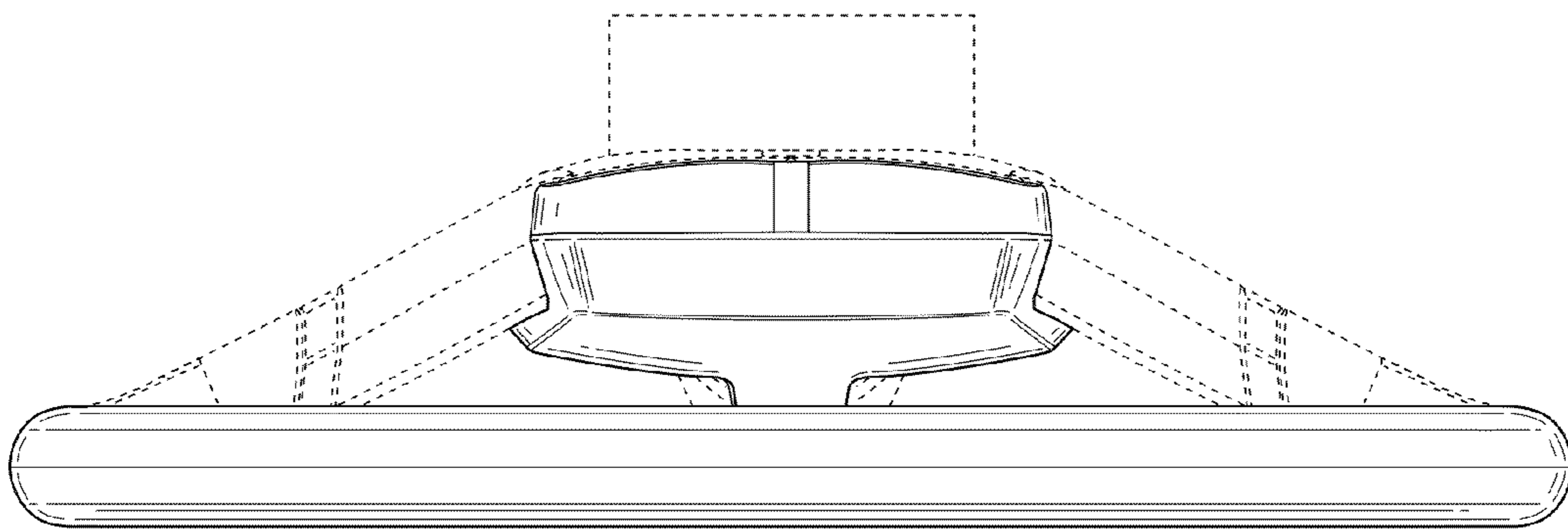


FIG. 4

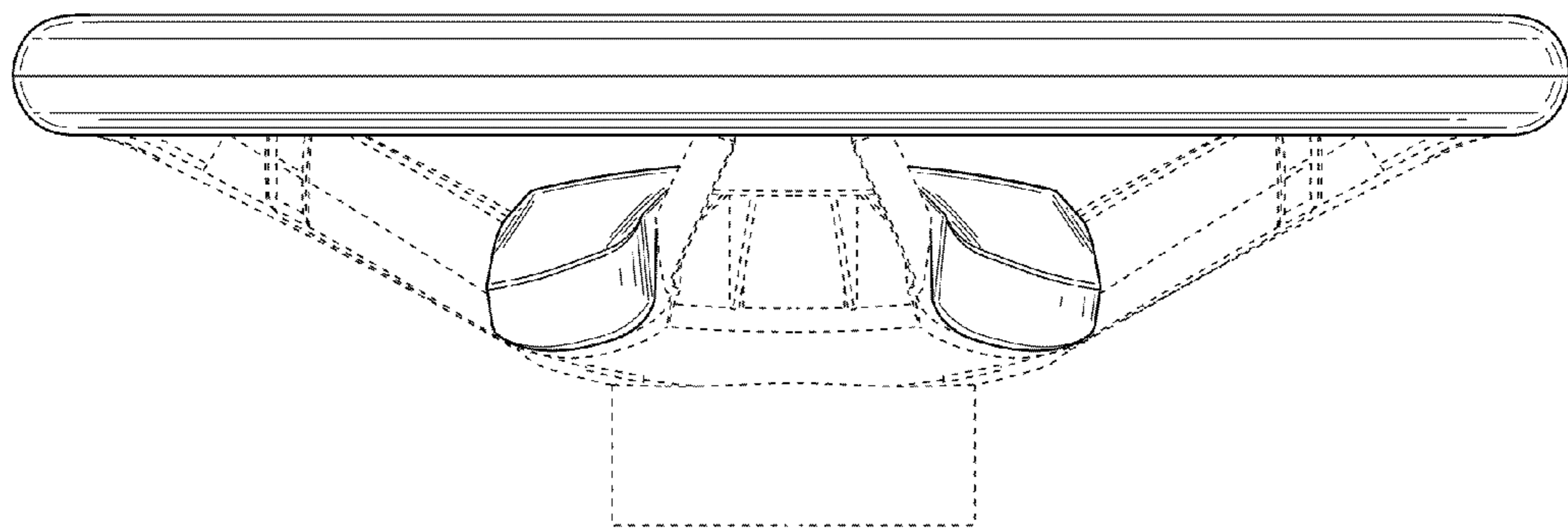


FIG. 5

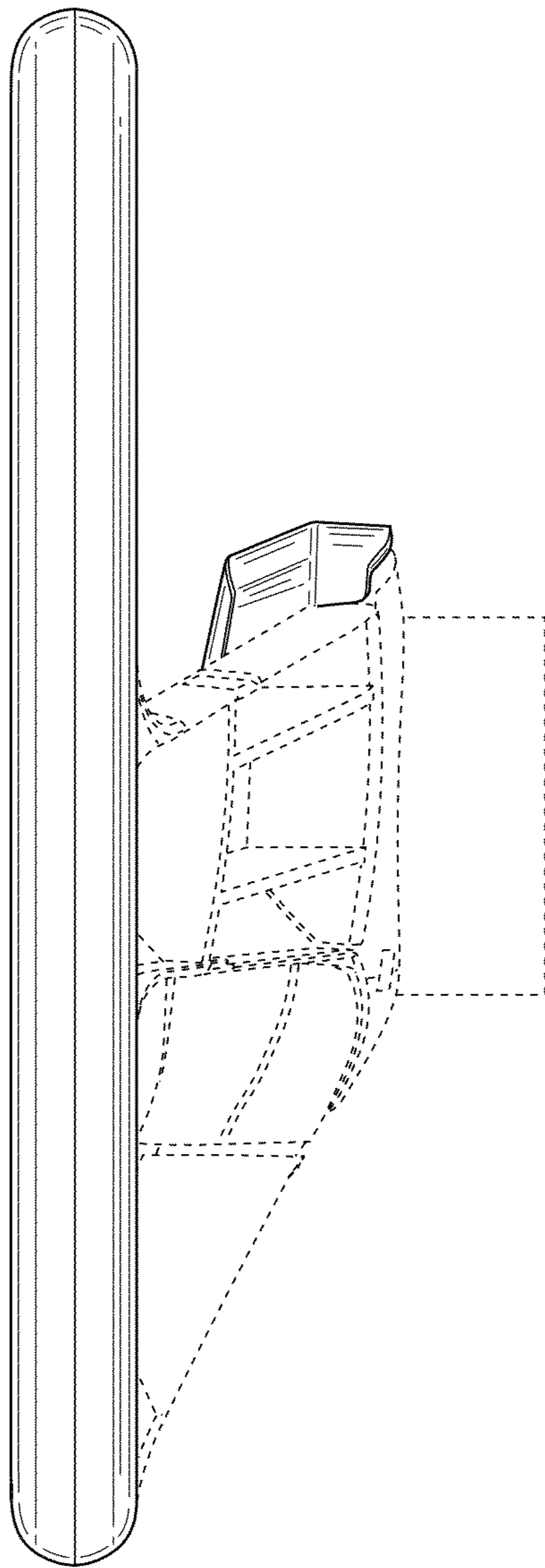


FIG. 6

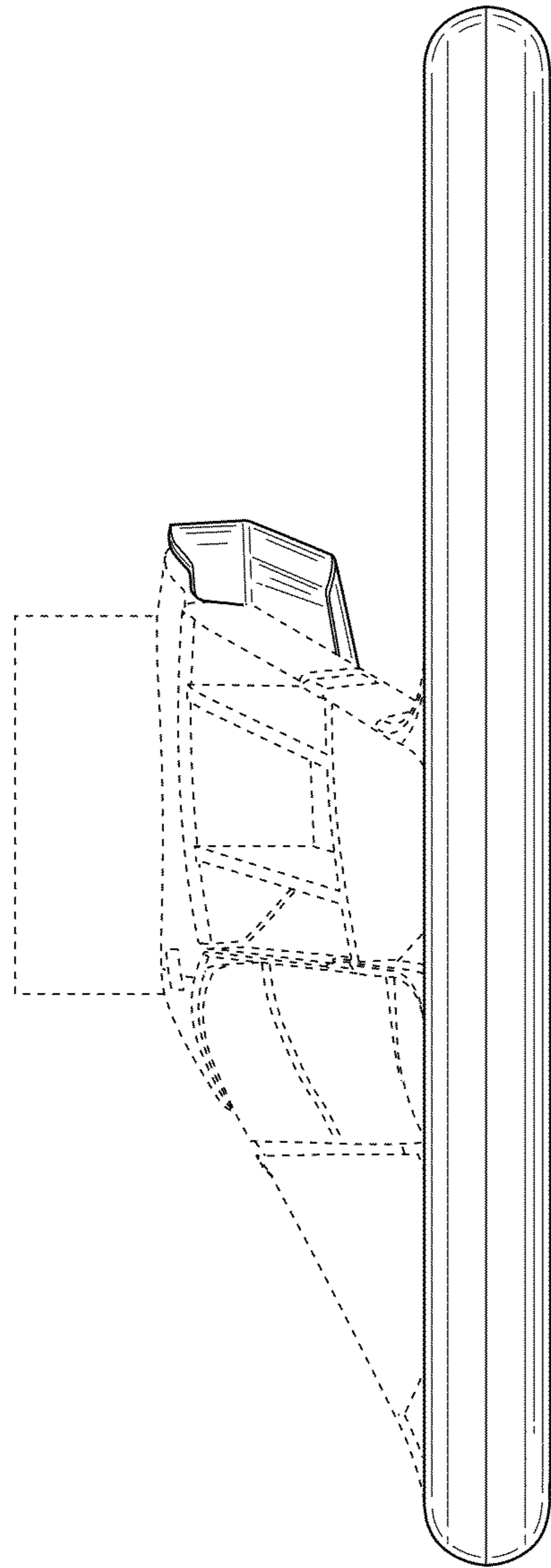


FIG. 7