



US00D691928S

(12) **United States Design Patent**  
**Ferronato**

(10) **Patent No.:** **US D691,928 S**

(45) **Date of Patent:** **\*\* Oct. 22, 2013**

(54) **RETRACTABLE STAND FOR CYCLES OR MOTORCYCLES**

(75) Inventor: **Sergio Ferronato, Rosa' (IT)**

(73) Assignee: **Ursus S.p.A., Rosa' (IT)**

(\*\*) Term: **14 Years**

(21) Appl. No.: **29/371,040**

(22) Filed: **Sep. 27, 2010**

(30) **Foreign Application Priority Data**

Apr. 7, 2010 (EM) ..... 001206379

(51) **LOC (9) Cl.** ..... **12-11**

(52) **U.S. Cl.**  
USPC ..... **D12/115**

(58) **Field of Classification Search**  
USPC ..... D12/115, 120, 407, 408, 412; 248/153,  
248/163.1, 165, 126, 175, 176.1; 280/293  
See application file for complete search history.

(56) **References Cited**

**U.S. PATENT DOCUMENTS**

D27,632 S \* 9/1897 Felton ..... D12/115  
1,576,048 A \* 3/1926 Hoffman ..... 211/20  
4,733,810 A \* 3/1988 Graber et al. .... 224/329

D411,488 S \* 6/1999 Tarrence ..... D12/115  
6,027,133 A \* 2/2000 Phillips ..... 280/293  
6,572,060 B2 \* 6/2003 Yoon ..... 248/163.1  
D605,092 S \* 12/2009 Van Buuren ..... D12/115  
7,789,410 B1 \* 9/2010 White ..... 280/293

\* cited by examiner

*Primary Examiner* — Susan M Lee

*Assistant Examiner* — Linda Brooks

(74) *Attorney, Agent, or Firm* — Modiano & Associati;  
Albert Josif; Daniel J. O'Byrne

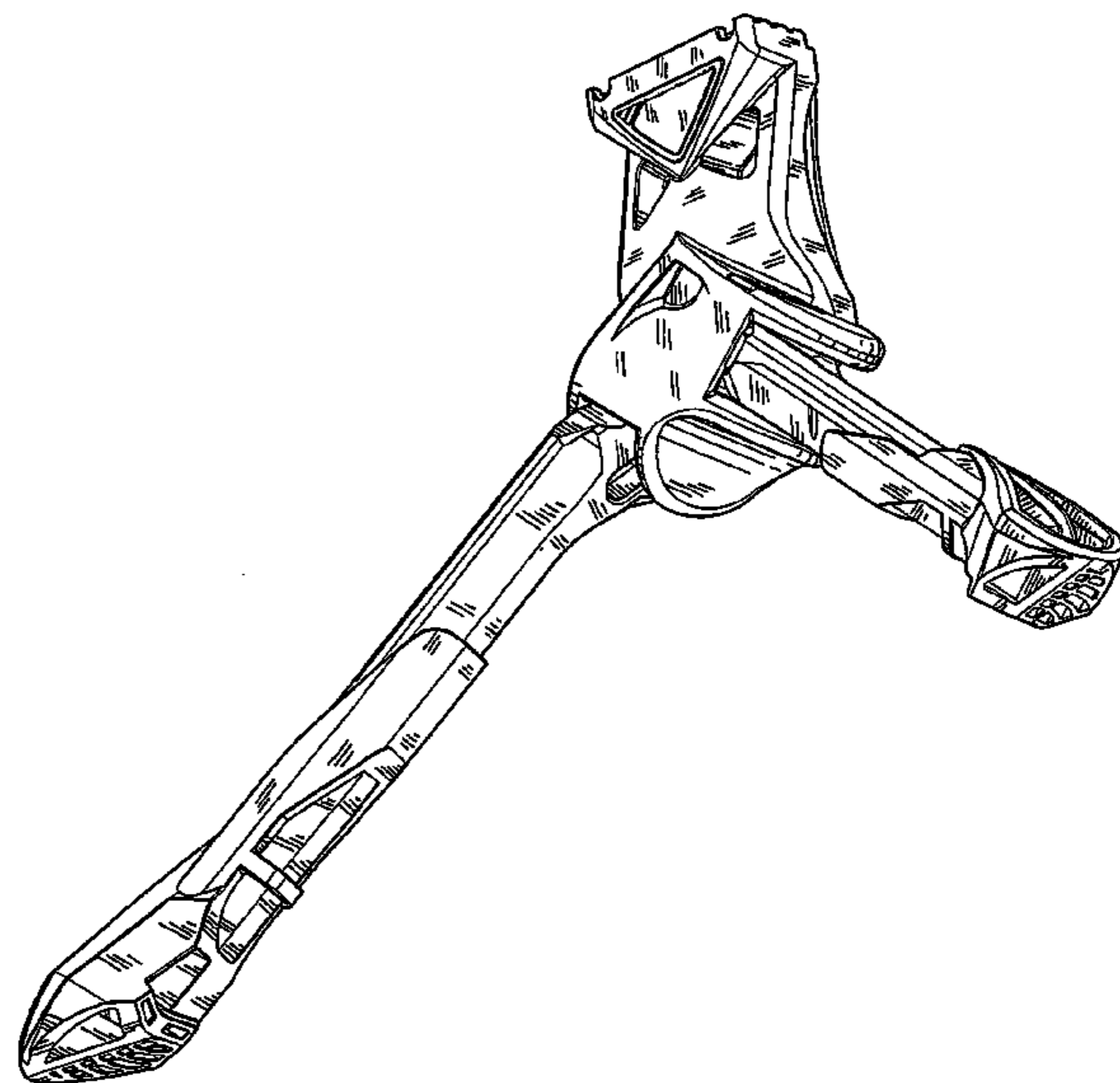
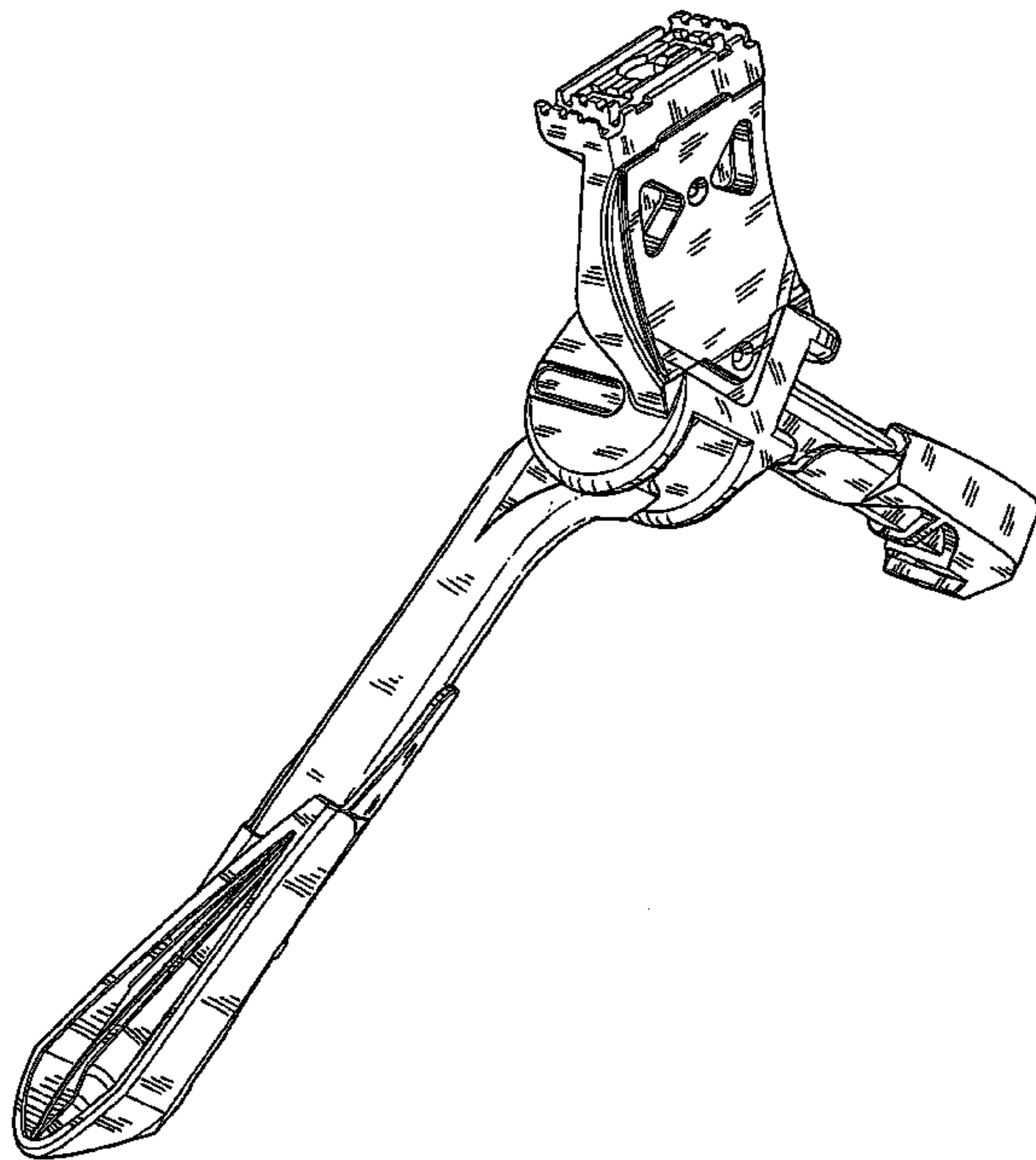
(57) **CLAIM**

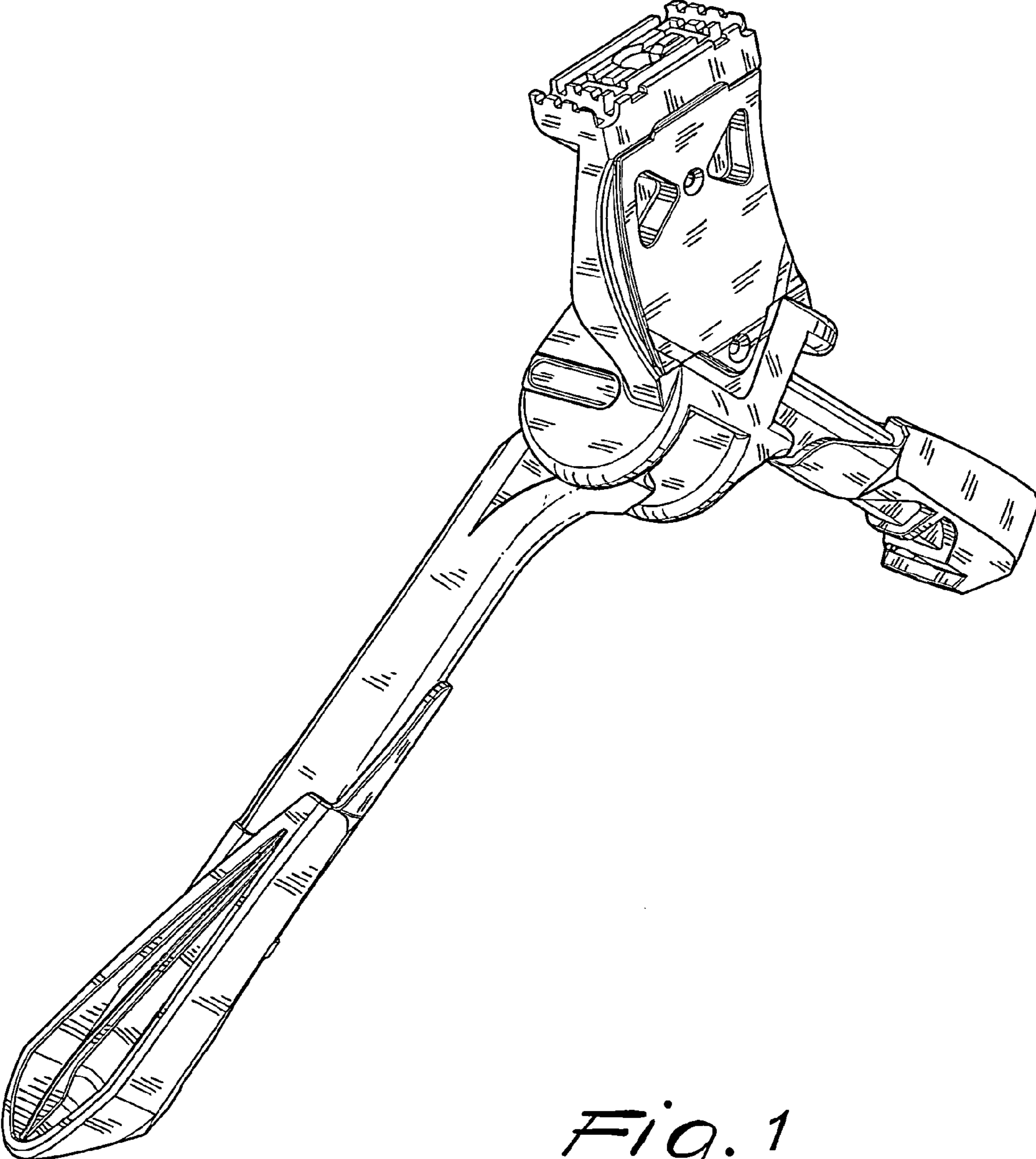
The ornamental design for a retractable stand for cycles or motorcycles, as shown and described.

**DESCRIPTION**

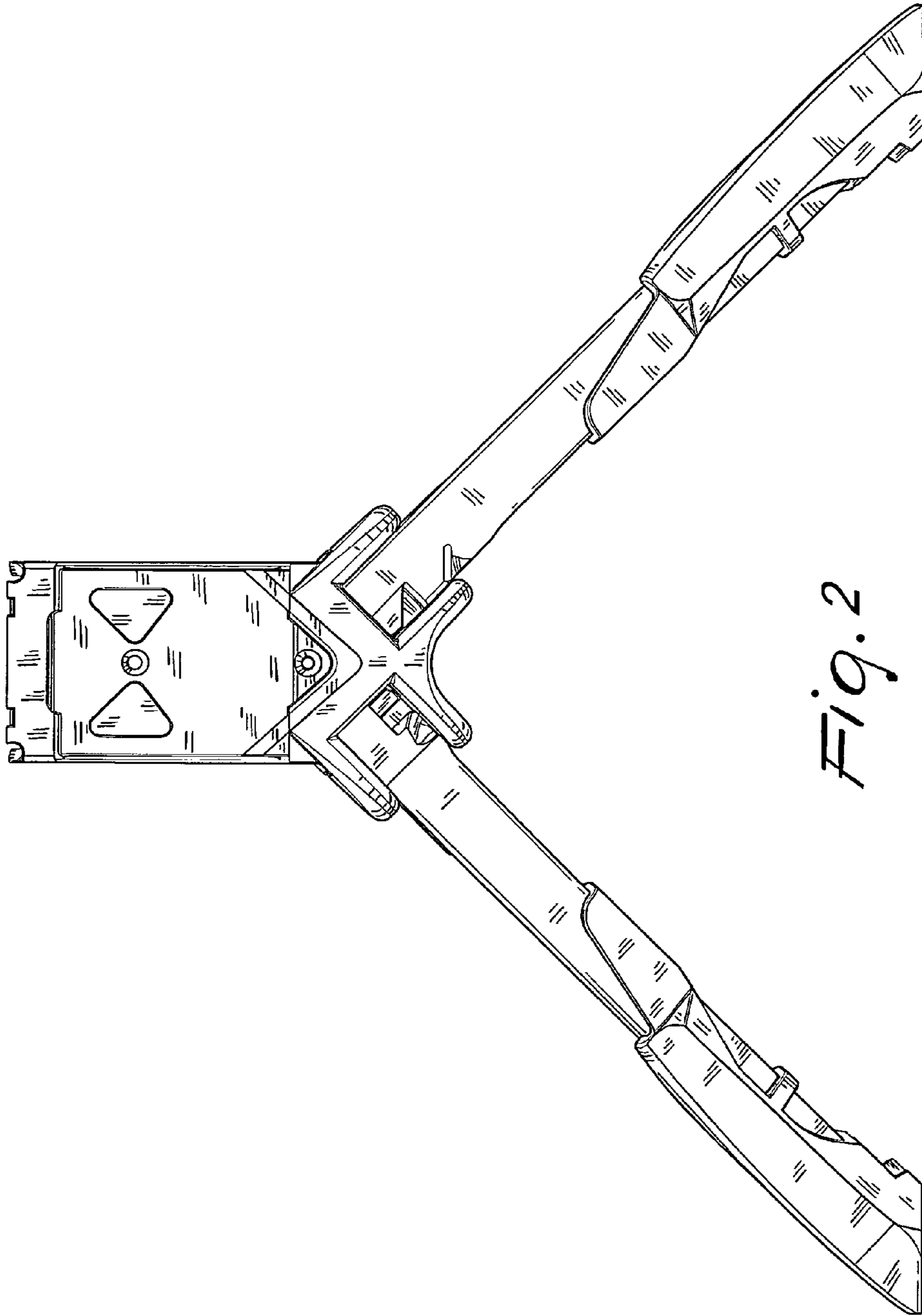
FIG. 1 is a perspective view of a retractable stand for cycles or motorcycles showing my new design;  
FIG. 2 is a front view thereof;  
FIG. 3 is a rear view thereof;  
FIG. 4 is a left side view thereof;  
FIG. 5 is a right side view thereof;  
FIG. 6 is a top view thereof;  
FIG. 7 is a bottom view thereof;  
FIG. 8 is a further perspective view thereof;  
FIG. 9 is a further perspective view thereof; and,  
FIG. 10 is a further perspective view thereof.

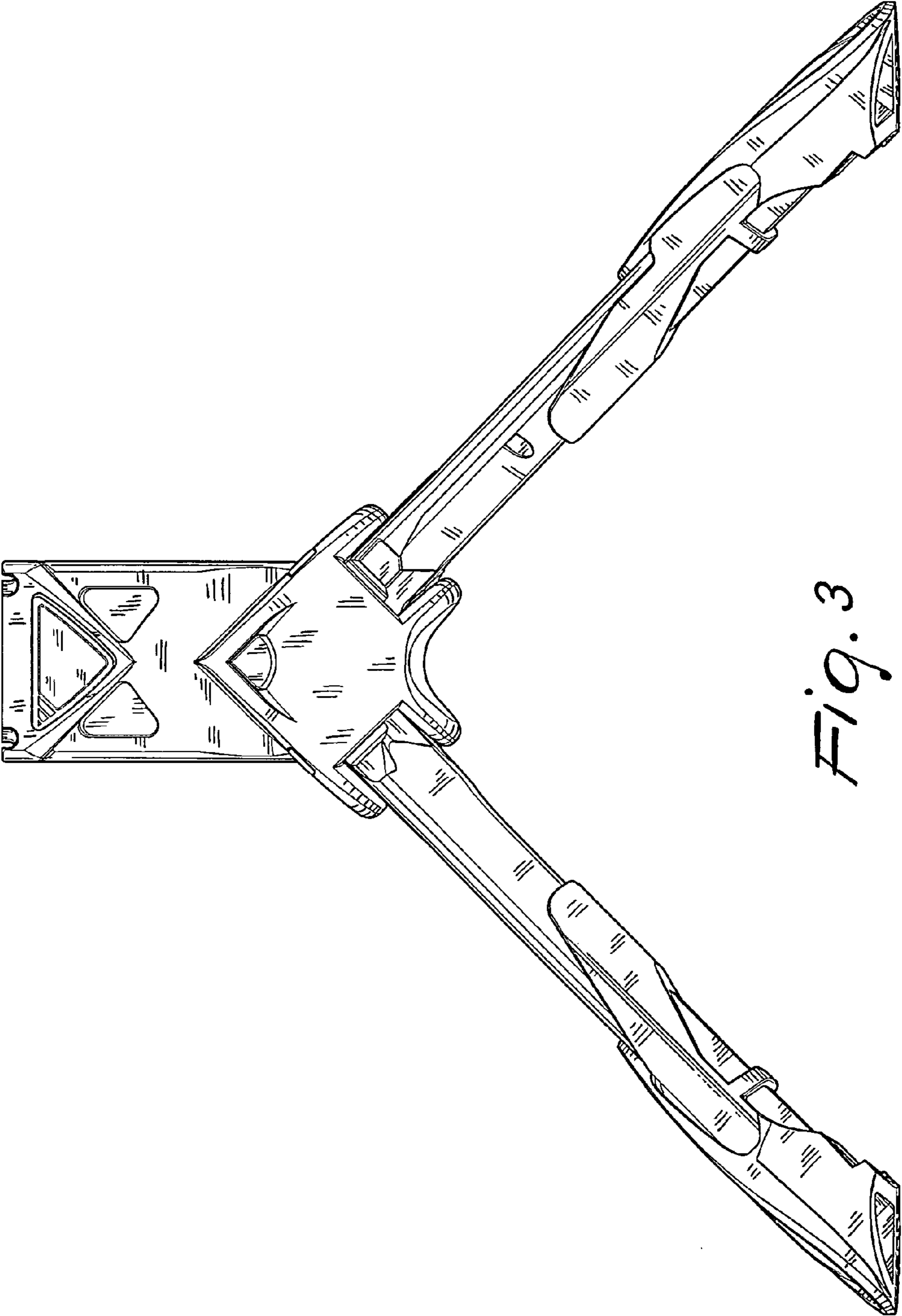
**1 Claim, 9 Drawing Sheets**



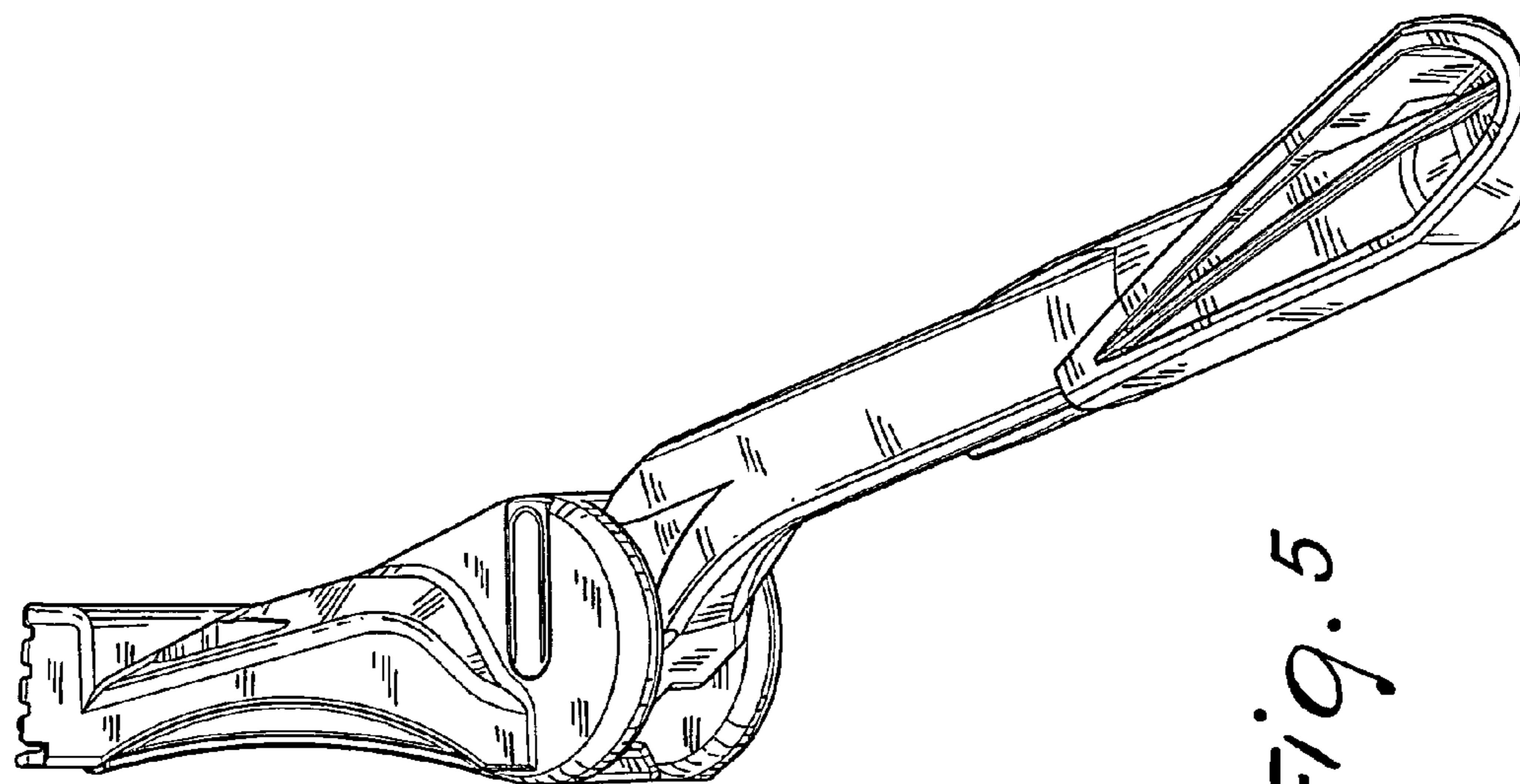


*Fig. 1*

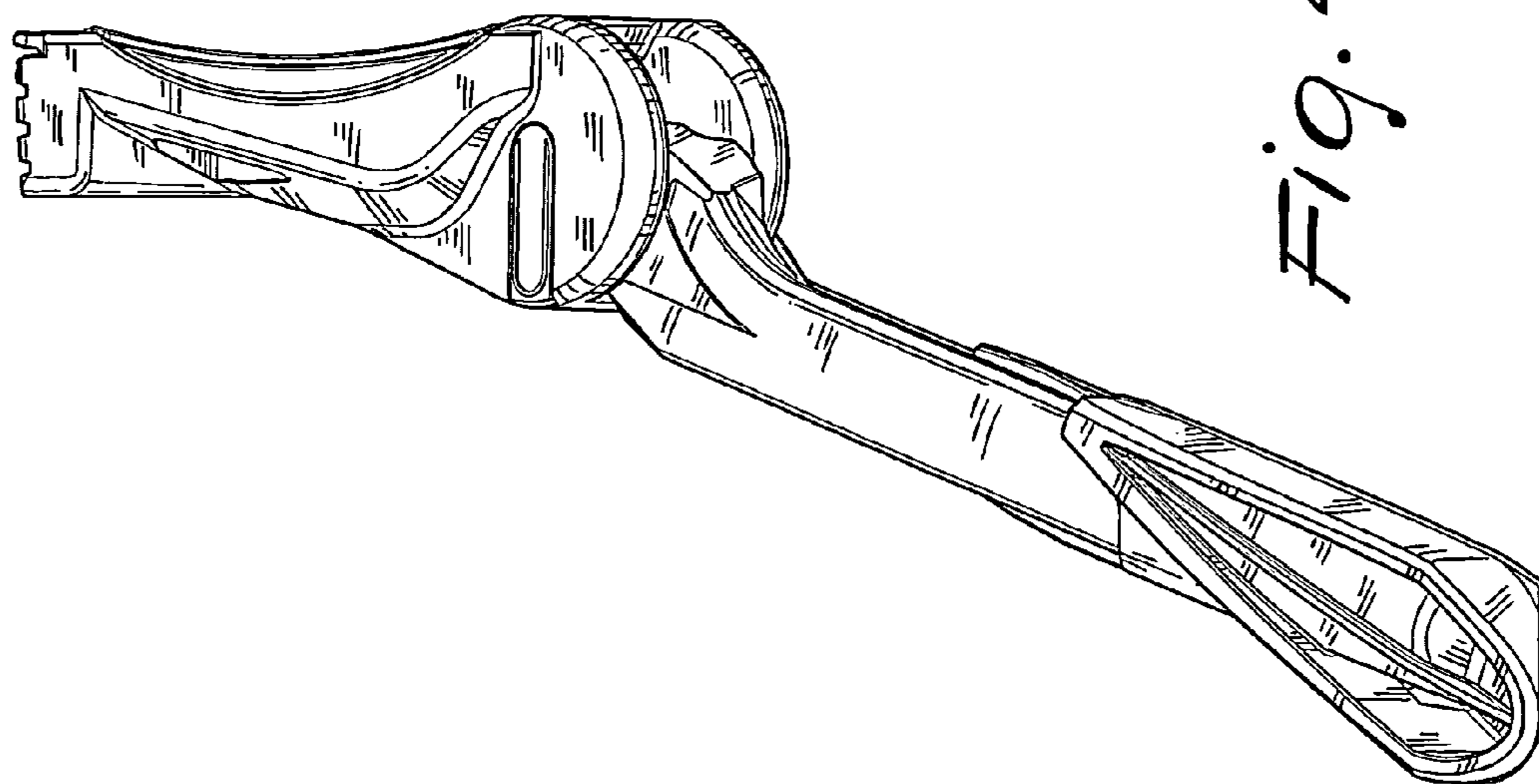




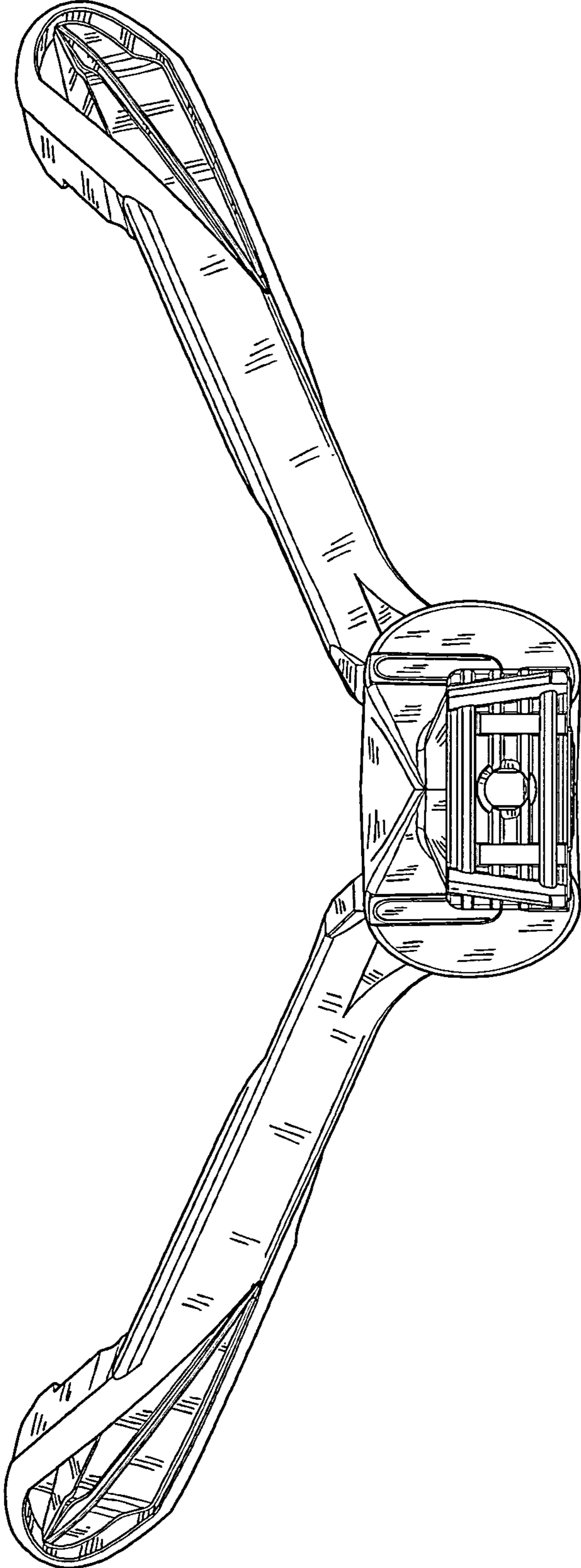
*Fig. 3*



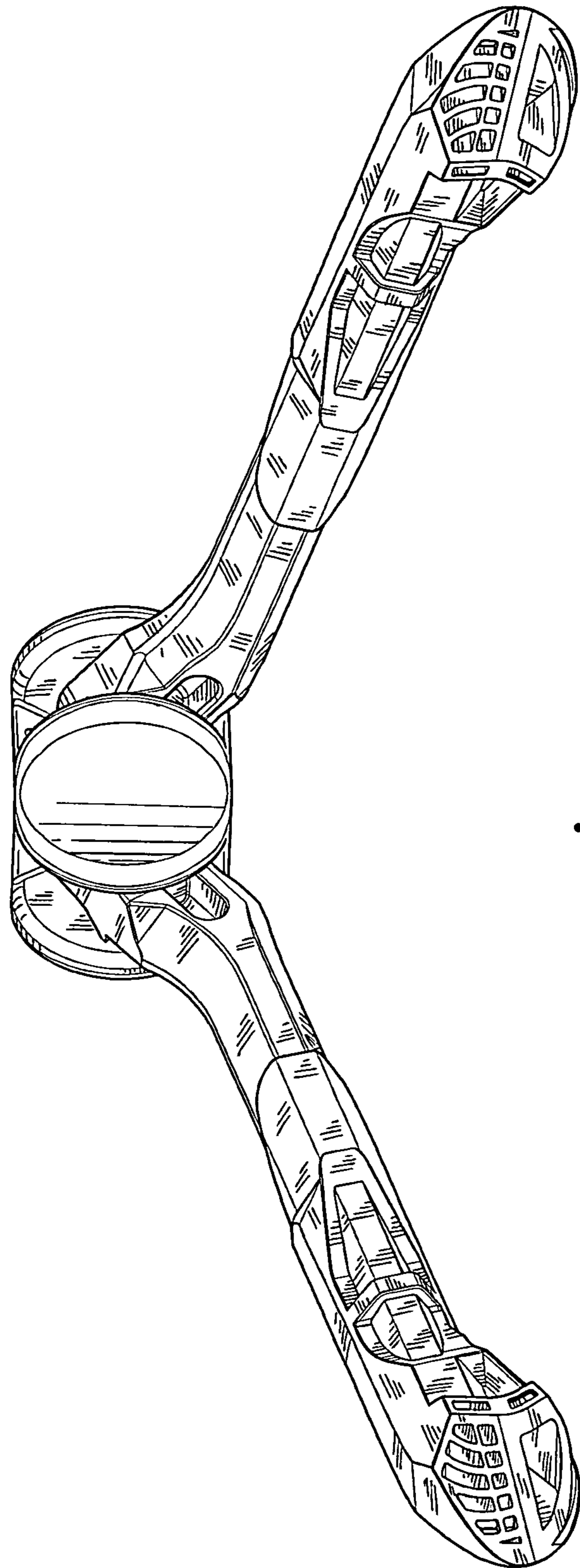
*Fig. 5*



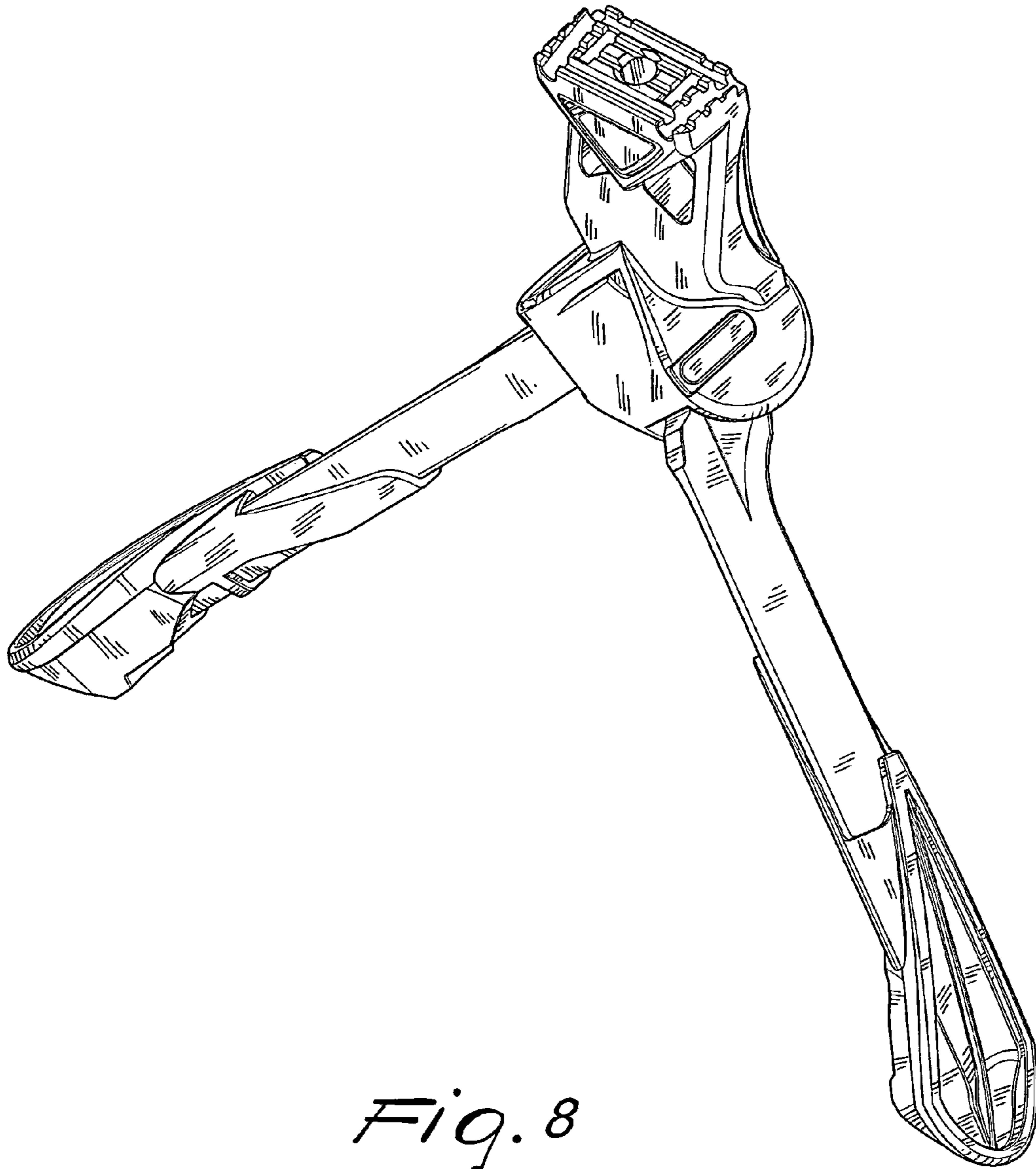
*Fig. 4*



*Fig. 6*

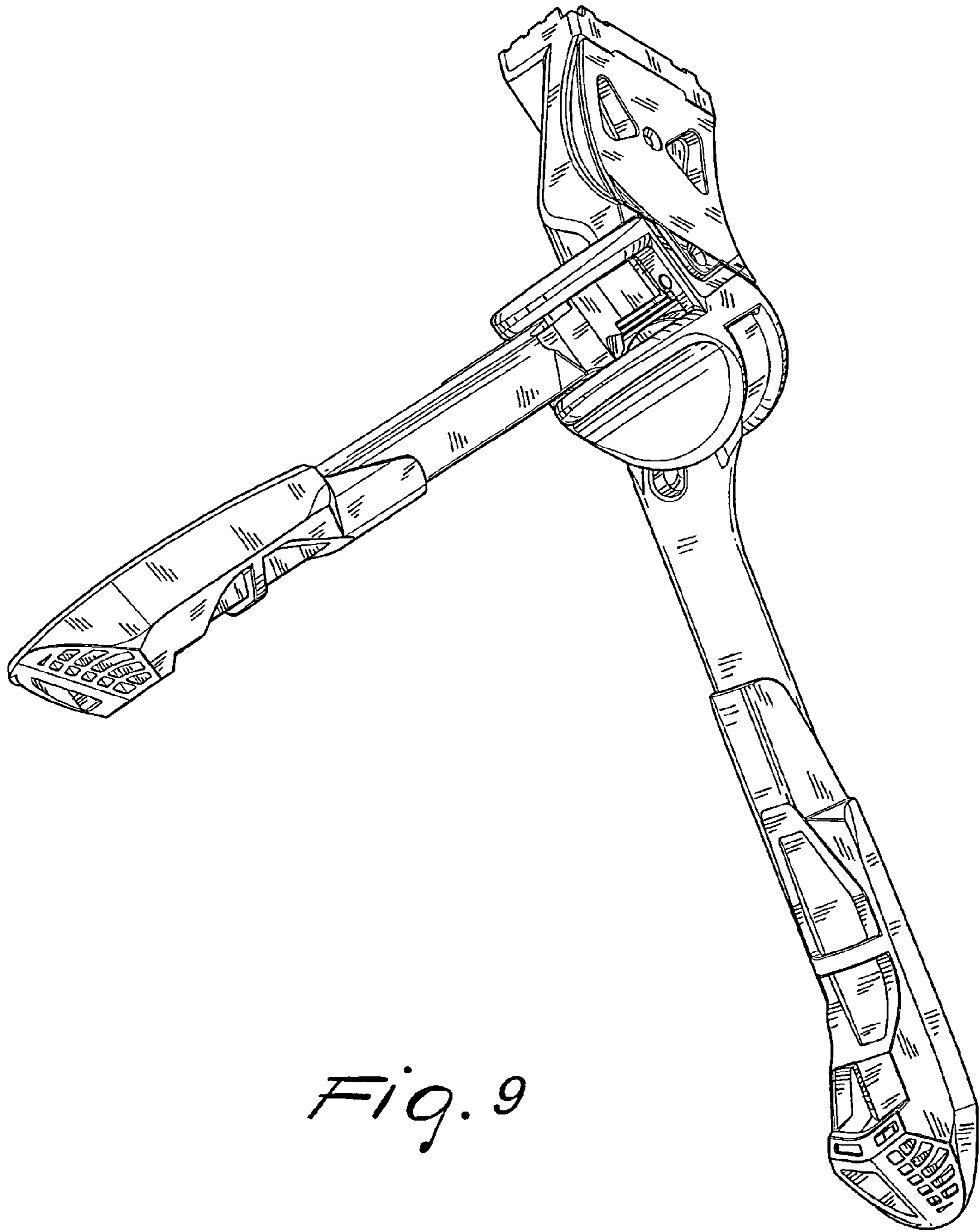


*Fig. 7*

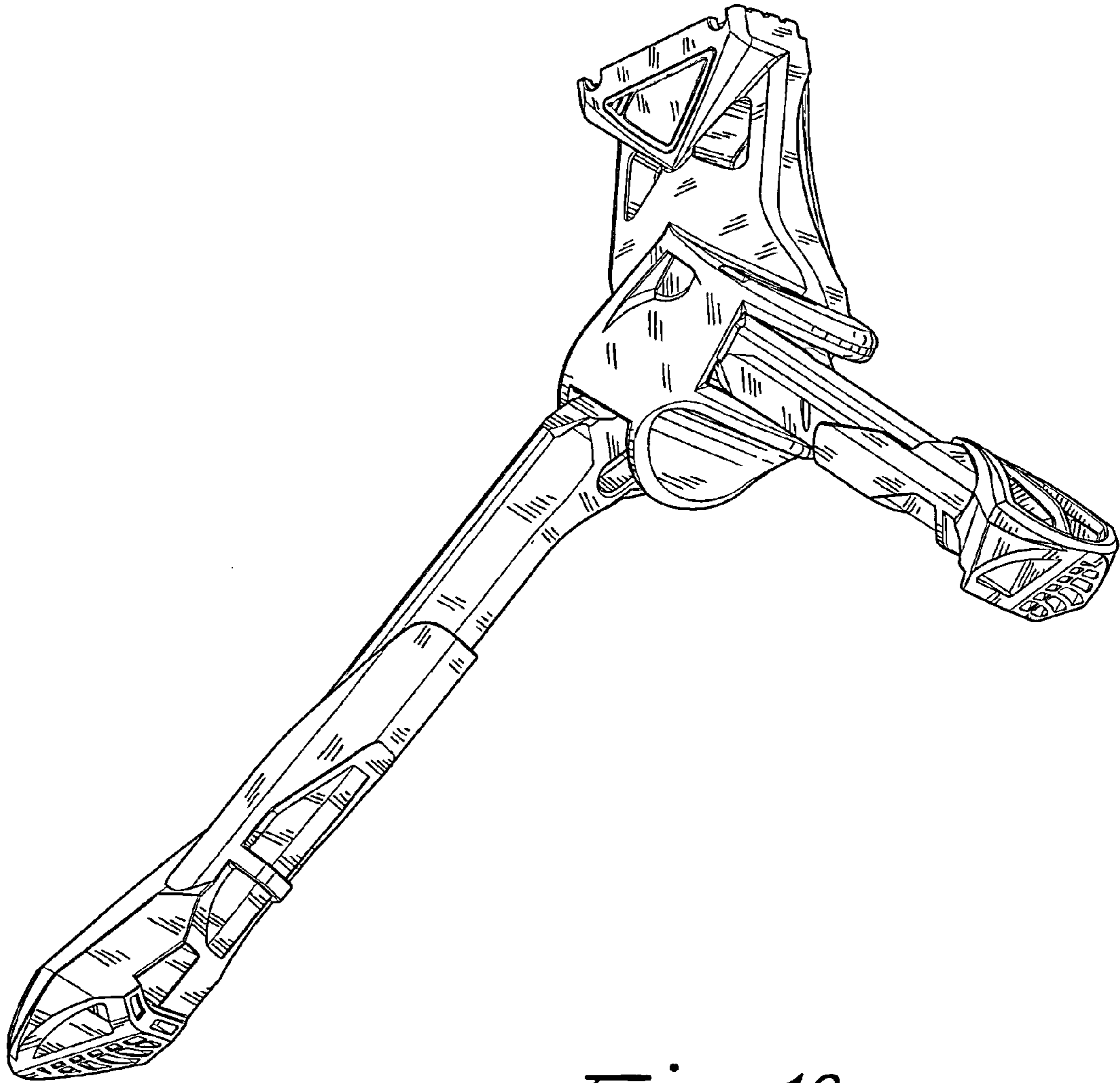


*Fig. 8*





*Fig. 9*



*Fig. 10*