



US00D691926S

(12) **United States Design Patent**  
**Ungar**

(10) **Patent No.:** **US D691,926 S**

(45) **Date of Patent:** **\*\* Oct. 22, 2013**

(54) **CYCLE**

(71) Applicant: **Soma Gabor Ungar**, Budapest (HU)

(72) Inventor: **Soma Gabor Ungar**, Budapest (HU)

(\*\*) Term: **14 Years**

(21) Appl. No.: **29/443,006**

(22) Filed: **Jan. 11, 2013**

(30) **Foreign Application Priority Data**

Jul. 11, 2012 (EM) ..... 002071746-0001  
Jul. 11, 2012 (EM) ..... 002071746-0002

(51) **LOC (9) Cl.** ..... **12-11**

(52) **U.S. Cl.**  
USPC ..... **D12/107**

(58) **Field of Classification Search**  
USPC ..... D12/107, 1, 8; 280/200, 638, 639,  
280/226.1, 275, 276, 278, 47.16, 47.32, 78,  
280/293, 47.2, 1, 87.041, 87.021, 87.01,  
280/23.1, 32.6, 7.15, 7.17, 29, 30, 43.23;  
446/465, 470; D21/419, 432, 399, 538,  
D21/563; 180/20, 21, 65.51, 65.1, 205  
See application file for complete search history.

(56) **References Cited**

**U.S. PATENT DOCUMENTS**

D217,175 S \* 4/1970 Swanberg ..... D12/107  
D289,985 S \* 5/1987 Davenport ..... D12/107

7,537,228 B2 \* 5/2009 Shimizu et al. .... 280/205  
7,540,517 B2 \* 6/2009 Wernli ..... 280/278  
D673,081 S \* 12/2012 Chen ..... D12/107

\* cited by examiner

*Primary Examiner* — Susan M Lee

*Assistant Examiner* — Linda Brooks

(74) *Attorney, Agent, or Firm* — Olson & Cepuritis, Ltd.

(57) **CLAIM**

The ornamental design for a cycle, as shown and described.

**DESCRIPTION**

FIG. 1 is a front perspective view of my new design showing a cycle;

FIG. 2 is rear perspective view of the cycle of FIG. 1;

FIG. 3 is a side elevational view of the cycle of FIG. 1;

FIG. 4 is another side elevational view of the cycle of FIG. 1, which is the opposite side of that shown in FIG. 3;

FIG. 5 is a front view of the cycle of FIG. 1;

FIG. 6 is a rear view of the cycle of FIG. 1;

FIG. 7 is a top plan view of the cycle of FIG. 1;

FIG. 8 is a bottom plan view of the cycle of FIG. 1;

FIG. 9 is an exploded view of a top perspective view of the cycle of FIG. 1;

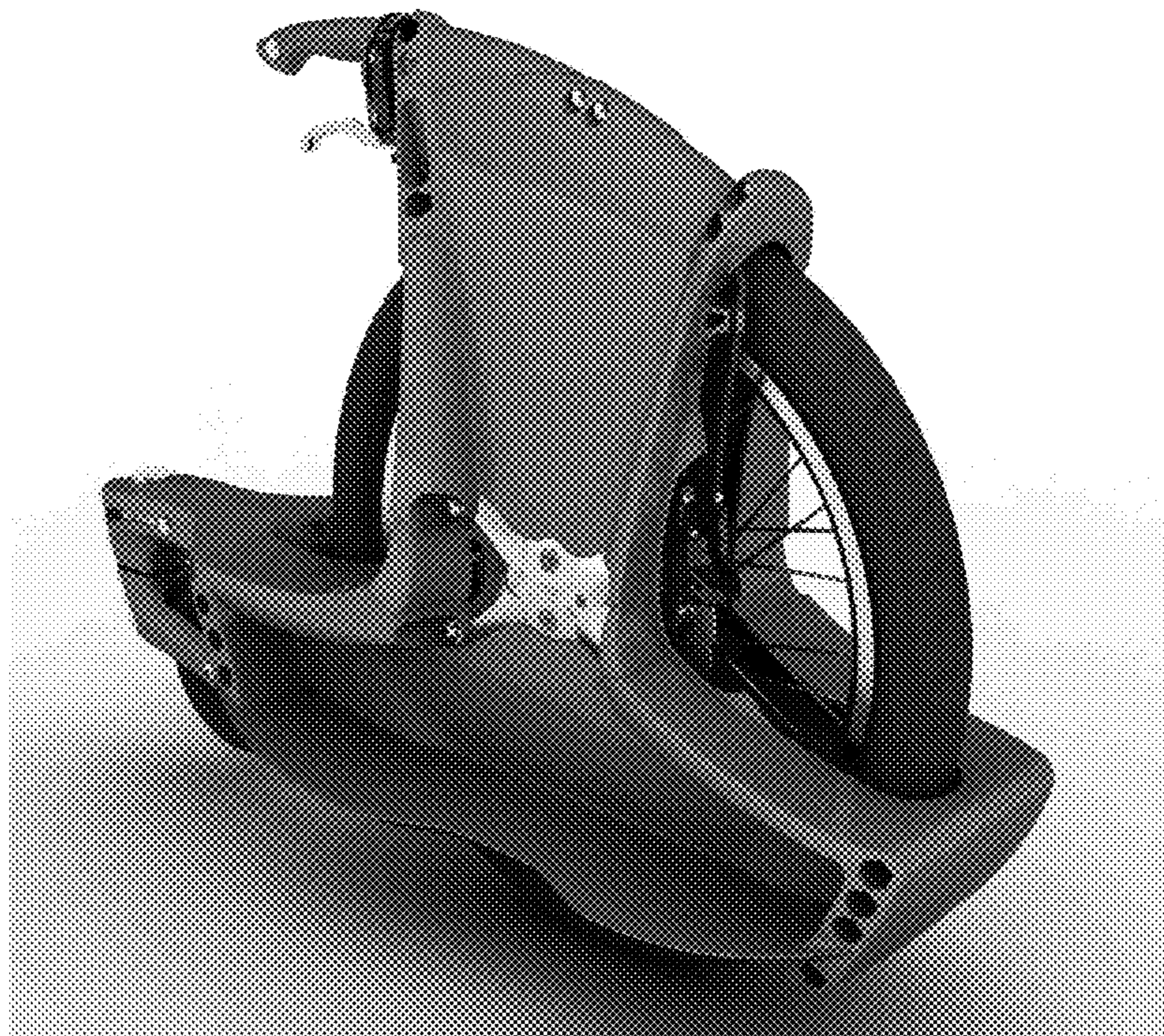
FIG. 10 is a detail view of the frame of the cycle of FIG. 1;

FIG. 11 is a detail view of the frame of the cycle of FIG. 2;

FIG. 12 is a detail view of the frame of the cycle of FIG. 4; and,

FIG. 13 is a detail view of the frame of the cycle of FIG. 7.

**1 Claim, 13 Drawing Sheets**



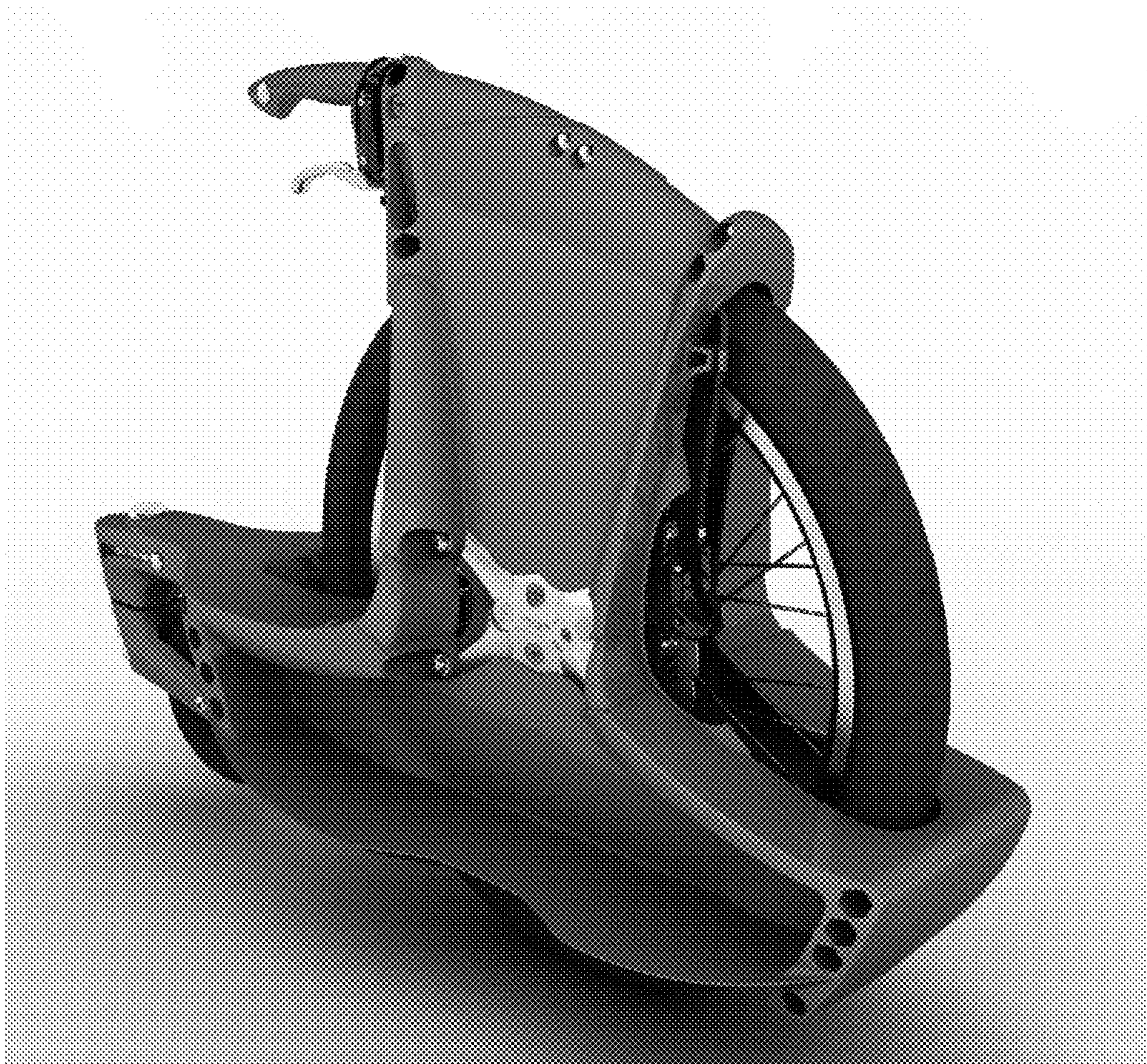


Fig. 1

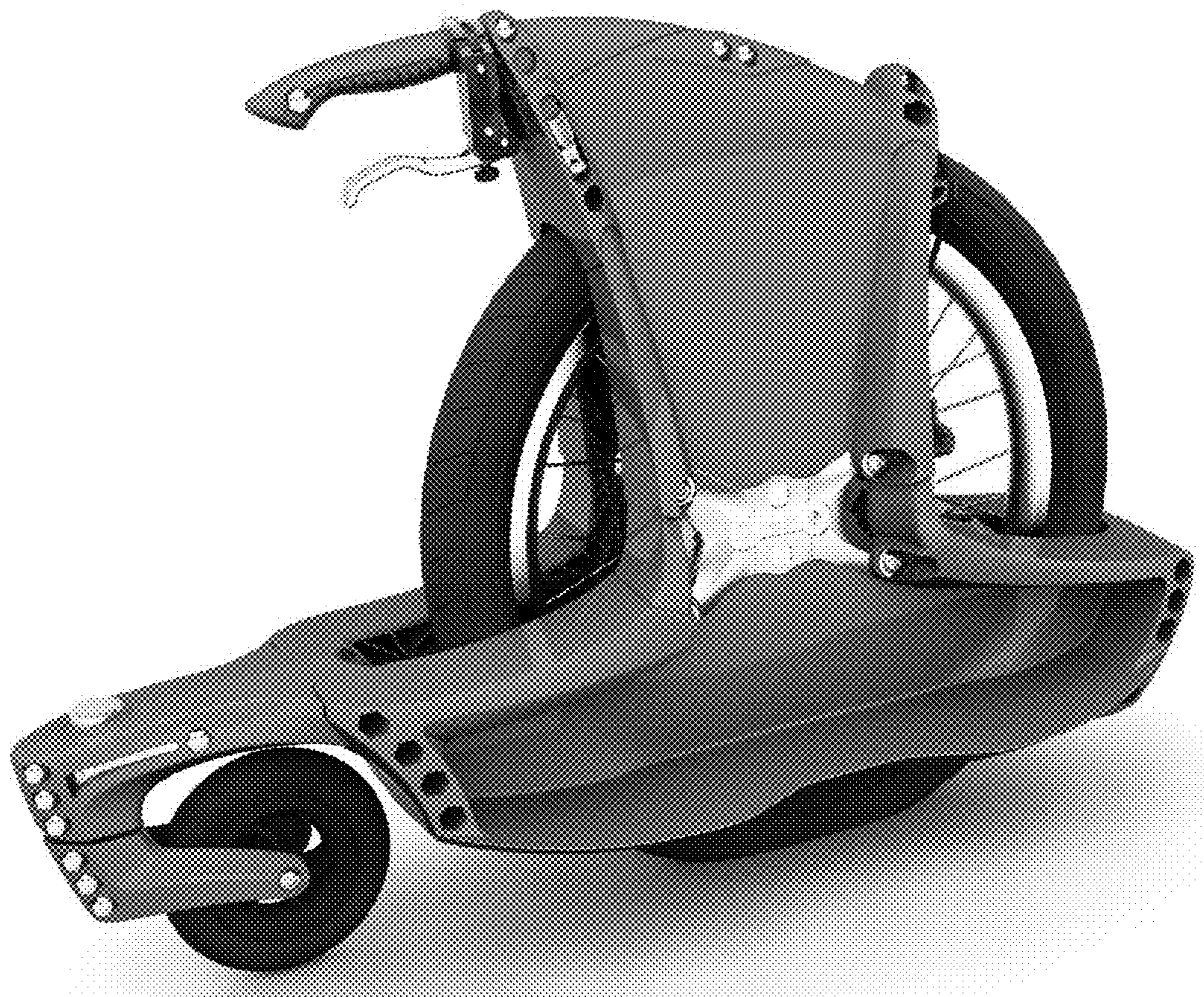


Fig. 2



Fig. 3



Fig. 4

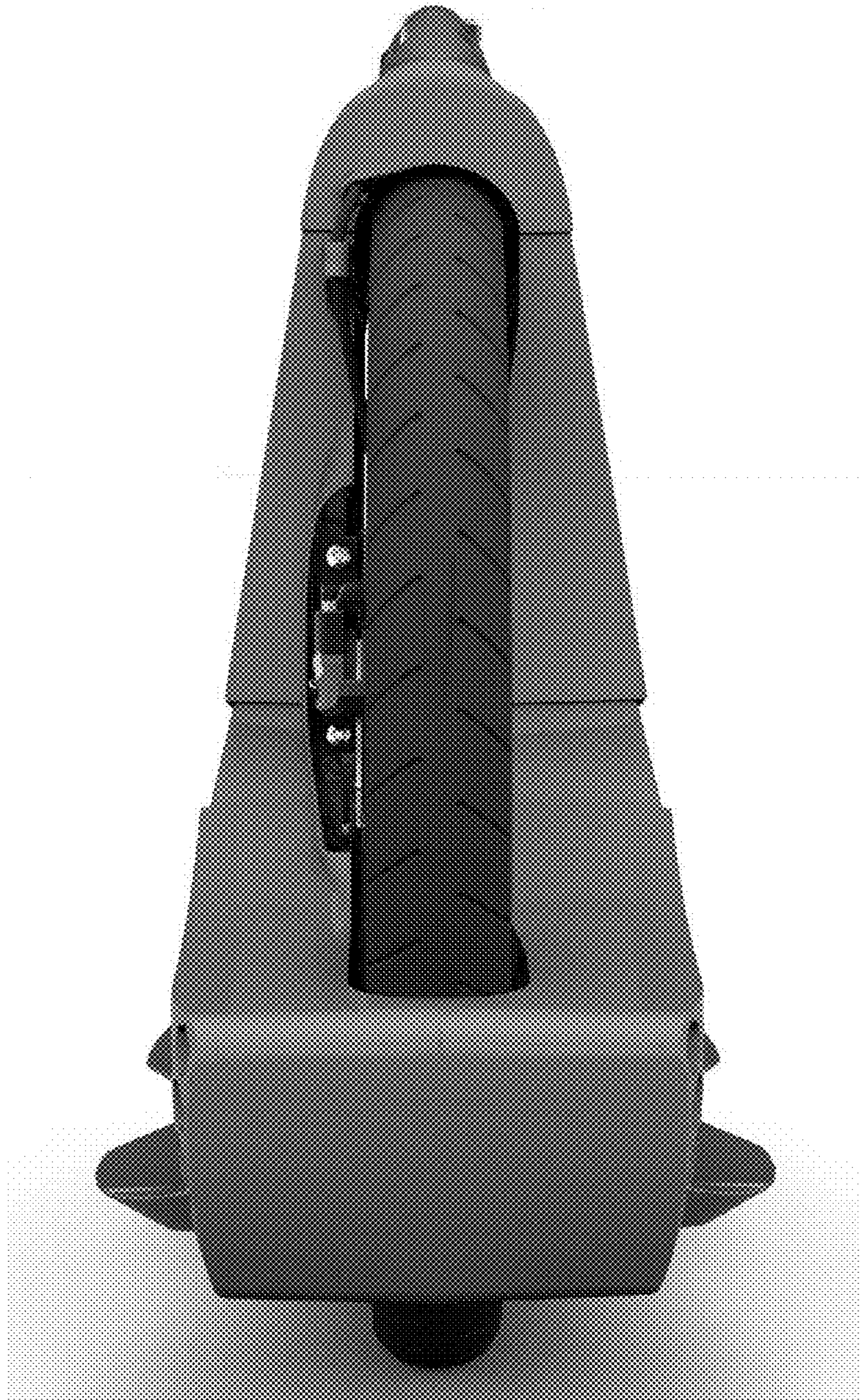


Fig. 5



Fig. 6

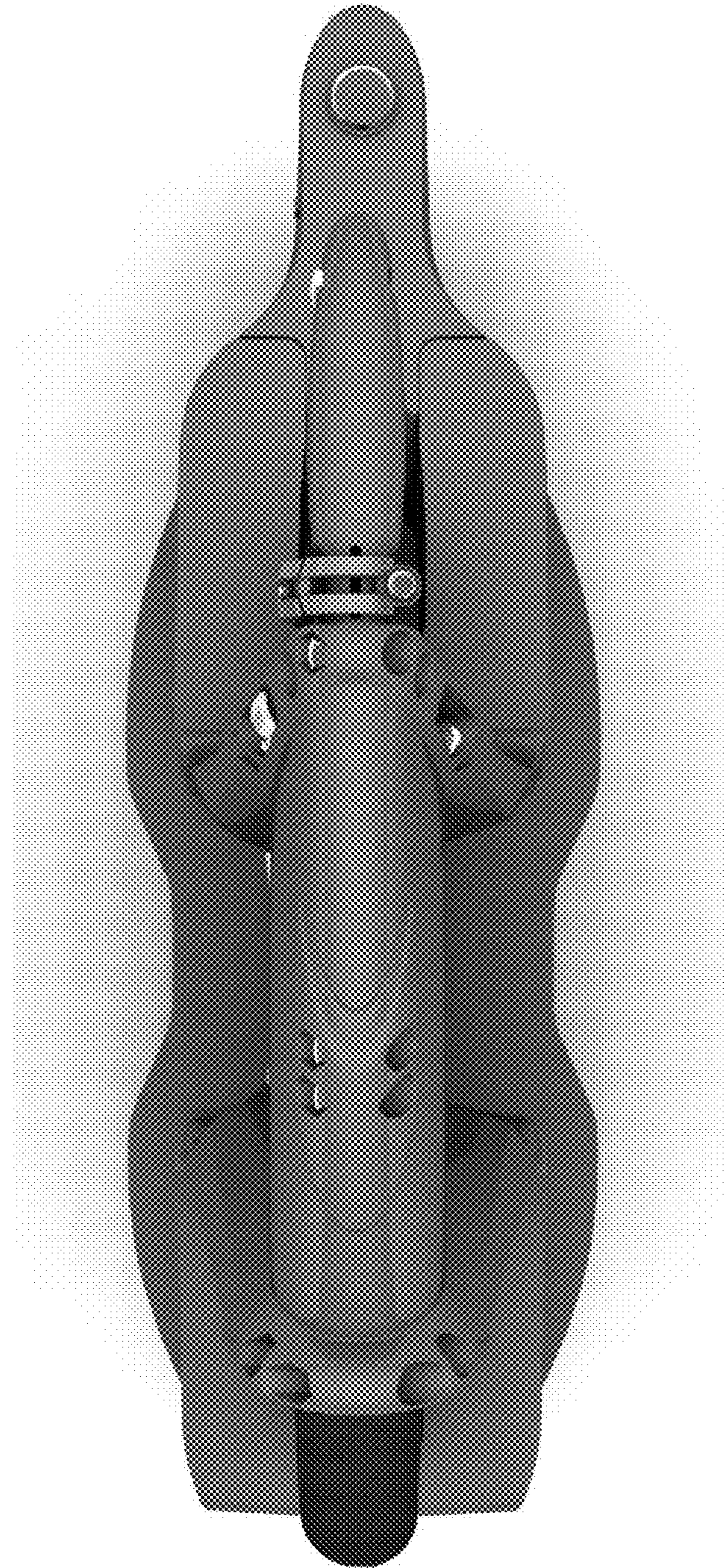


Fig. 7



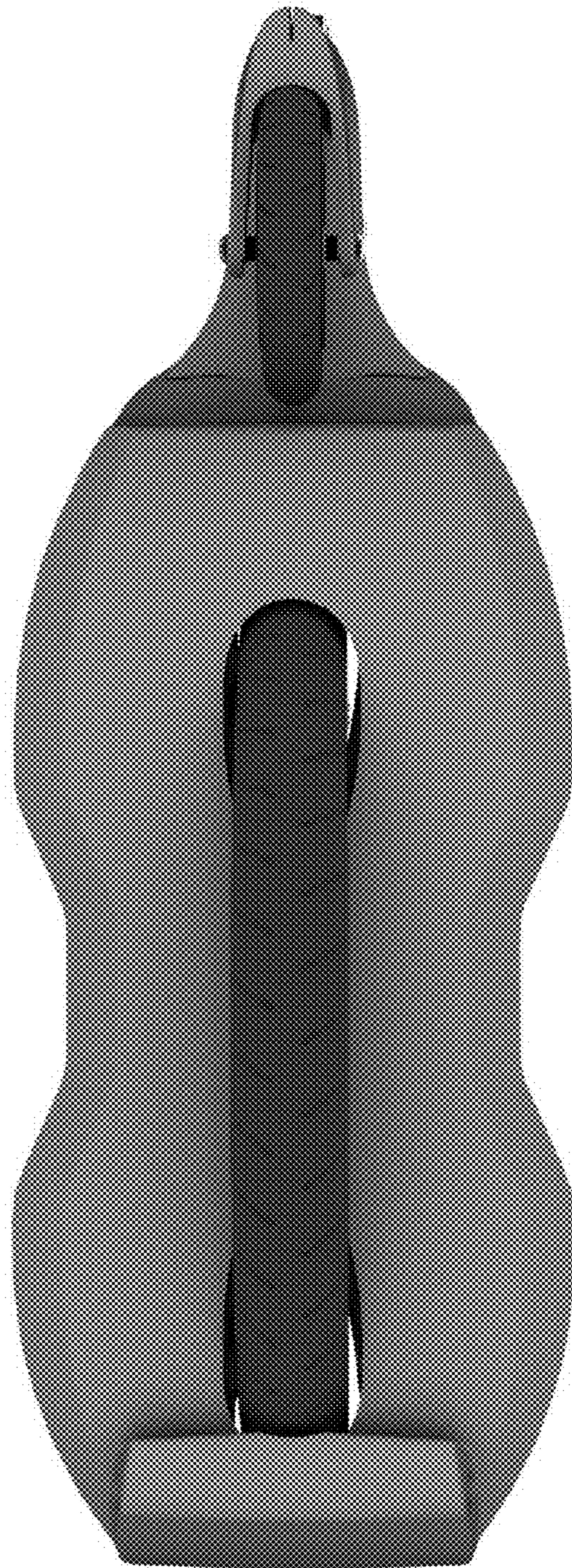


Fig. 8

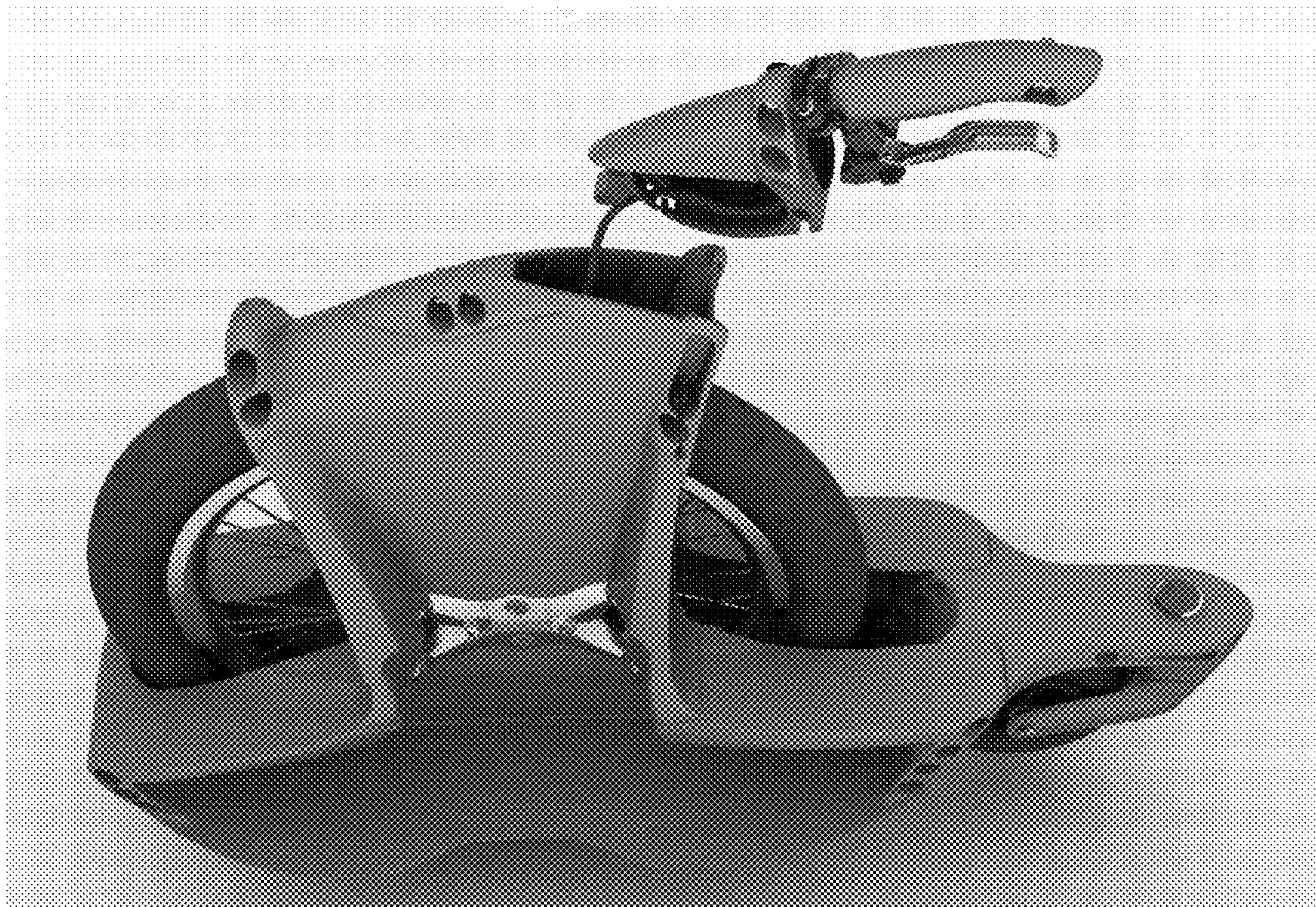


Fig. 9



Fig. 10



Fig. 11



Fig. 12

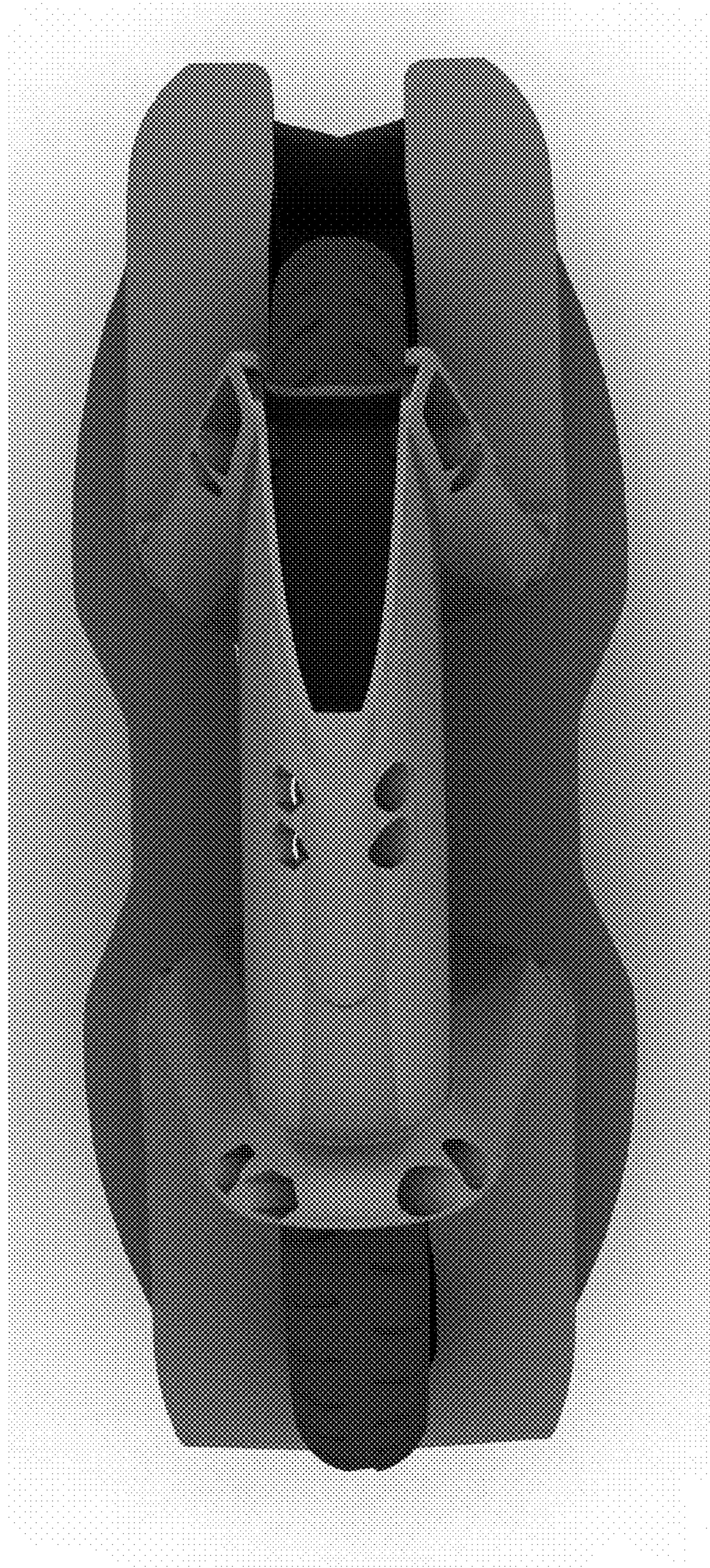


Fig. 13