

US00D691925S

(12) **United States Design Patent**
Hindle

(10) **Patent No.:** **US D691,925 S**
(45) **Date of Patent:** **** Oct. 22, 2013**

- (54) **MOBILE POWER SUPPLY TRAILER**
 - (71) Applicant: **HindlePower, Inc.**, Easton, PA (US)
 - (72) Inventor: **William A. Hindle**, Everittstown, NJ (US)
 - (73) Assignee: **HinglePower, Inc.**, Easton, PA (US)
 - (**) Term: **14 Years**
 - (21) Appl. No.: **29/442,174**
 - (22) Filed: **Dec. 21, 2012**
 - (51) **LOC (9) Cl.** **12-10**
 - (52) **U.S. Cl.**
USPC **D12/101**
 - (58) **Field of Classification Search**
USPC D12/101-106, 19, 129, 111, 112;
D21/425, 435; D34/21-26, 12, 16-19;
280/204, 205, 63, 475, 482, 647;
296/168, 180, 180.2, 61, 10,
296/100.01-100.08
- See application file for complete search history.

4,337,875	A	7/1982	Lyons	
5,042,883	A	8/1991	McCann et al.	
5,225,761	A	7/1993	Albright	
5,896,022	A	4/1999	Jacobs, Sr.	
5,963,013	A	10/1999	Watson et al.	
6,755,225	B1	6/2004	Niedwiecki et al.	
D542,185	S *	5/2007	Remington	D12/103
D544,815	S *	6/2007	Williams	D12/101
D546,245	S *	7/2007	Heard	D12/102
7,651,114	B2 *	1/2010	Weber et al.	280/477
7,683,585	B1	3/2010	Johnson et al.	
7,795,837	B1 *	9/2010	Haun et al.	320/101
7,846,570	B2	12/2010	Diehl et al.	
D662,461	S *	6/2012	Fu et al.	D12/601
8,308,213	B1 *	11/2012	Sharkey	296/26.12
2010/0295514	A1	11/2010	Burlak et al.	
2010/0297883	A1	11/2010	Burlak et al.	

* cited by examiner

Primary Examiner — Katrina A Betton
(74) *Attorney, Agent, or Firm* — Sperry, Zoda & Kane

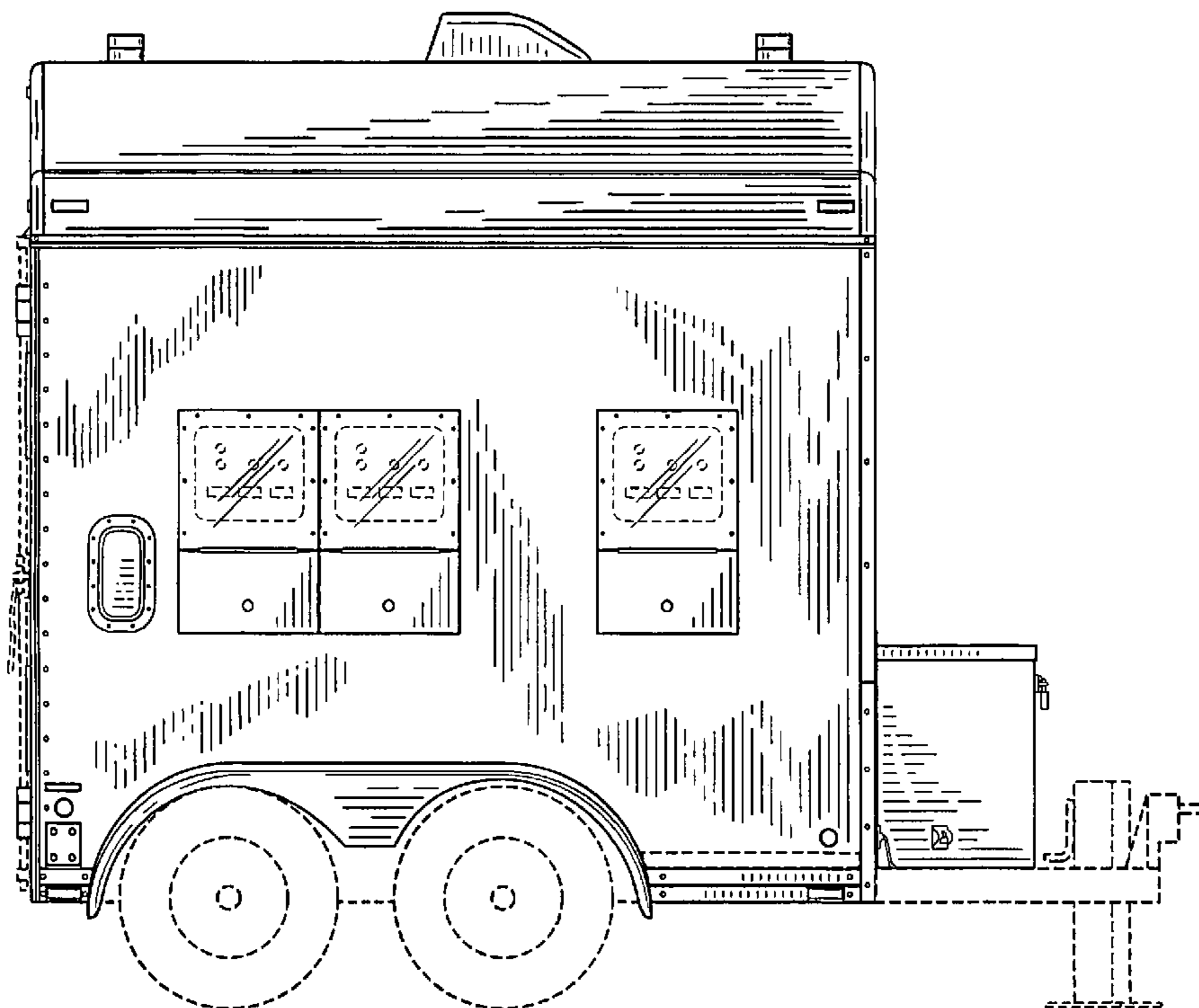
(57) **CLAIM**
The ornamental design for a mobile power supply trailer, as shown.

DESCRIPTION

FIG. 1 is a front plan view embodying my new design;
FIG. 2 is a rear plan view;
FIG. 3 is a side plan view taken from the right side of FIG. 1;
FIG. 4 is a side plan view taken from the left side of FIG. 1;
and,
FIG. 5 is a top plan view.

1 Claim, 5 Drawing Sheets

- (56) **References Cited**
U.S. PATENT DOCUMENTS
- | | | | |
|-----------|---|---------|-----------------|
| 2,649,565 | A | 8/1953 | Ihrig |
| 3,090,871 | A | 5/1963 | Gorman |
| 3,209,675 | A | 10/1965 | Stimpson et al. |
| 3,489,320 | A | 1/1970 | MacKinnon |
| 3,625,137 | A | 12/1971 | Johnson et al. |



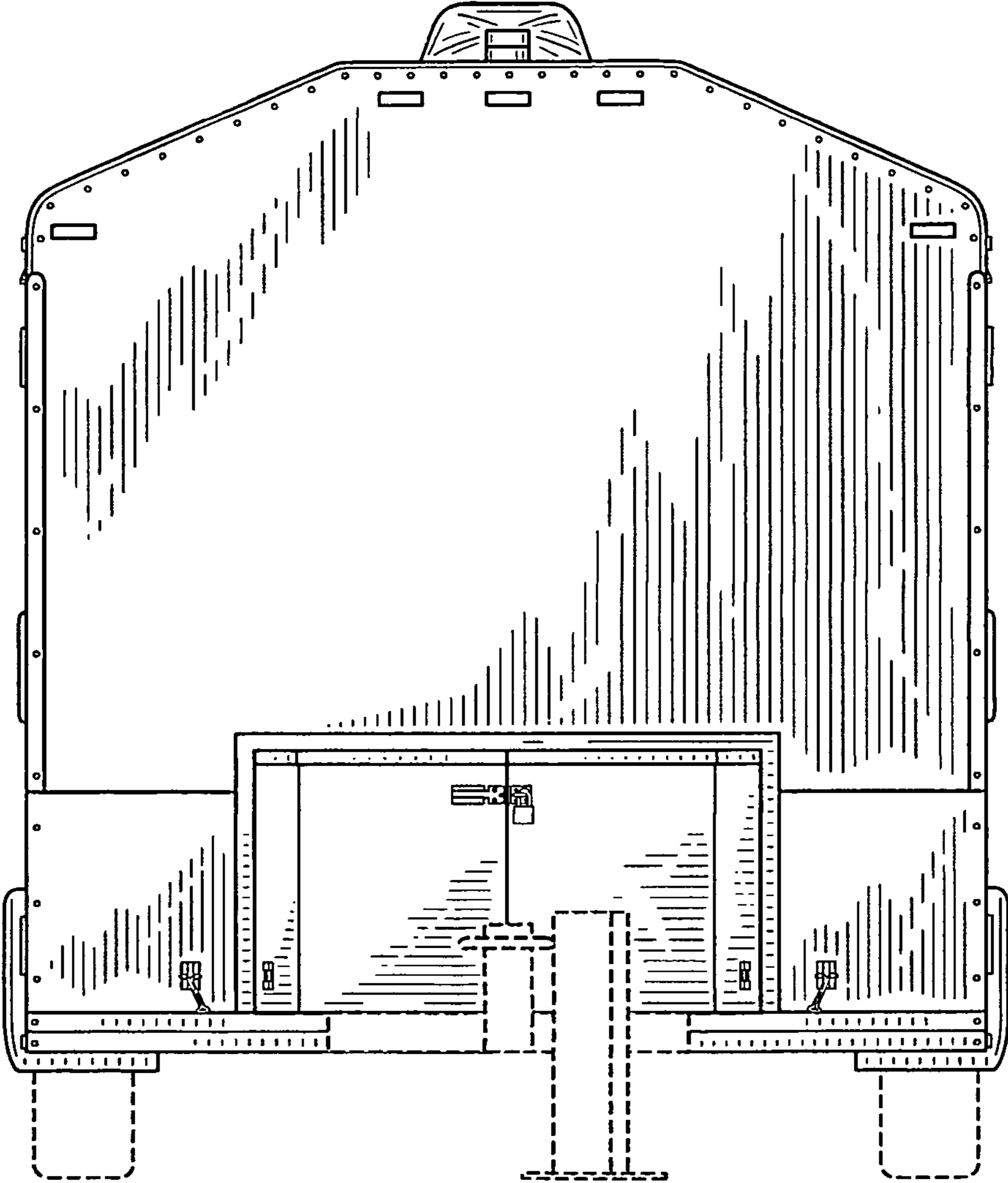


FIG. 1

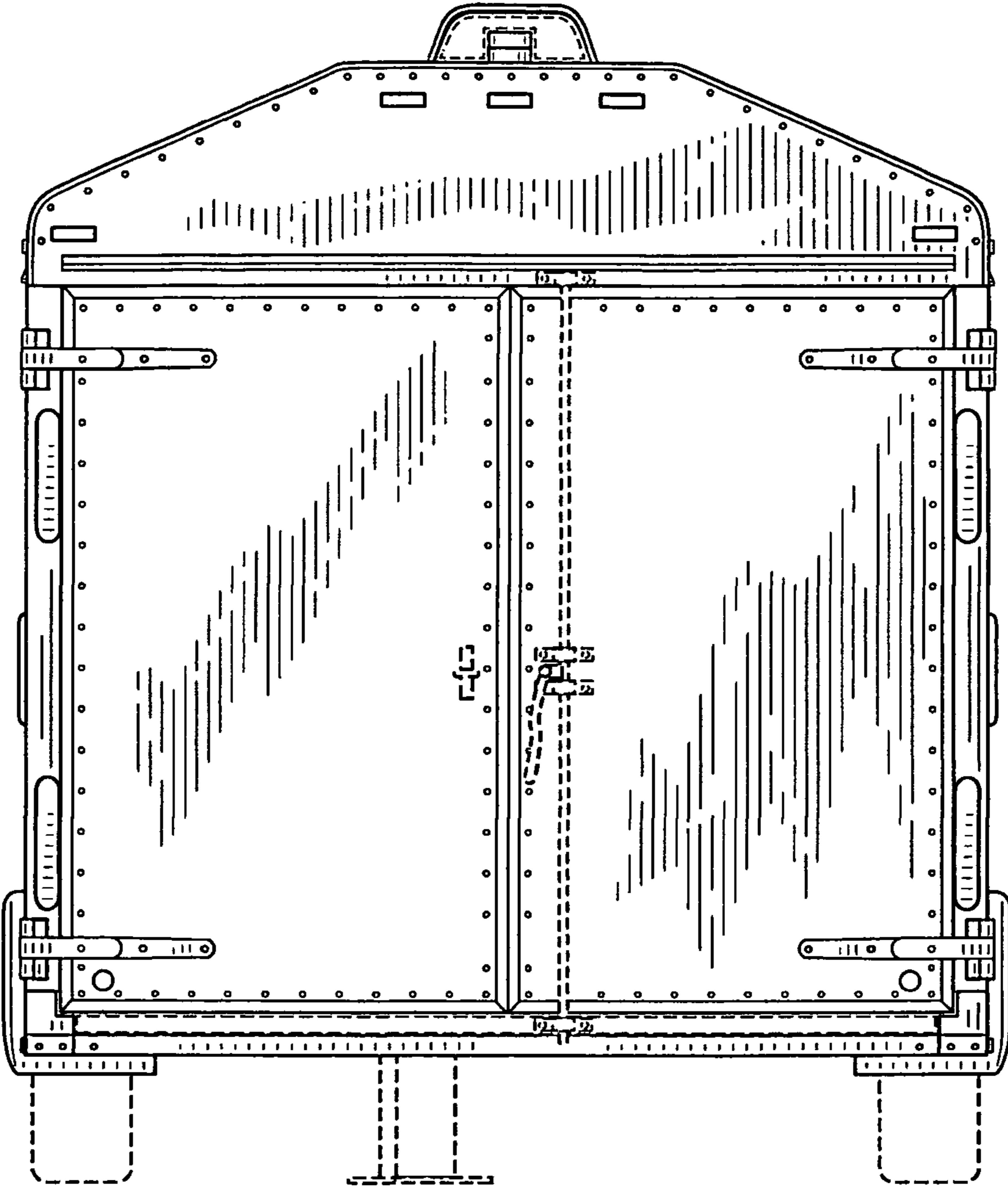


FIG. 2

FIG. 3

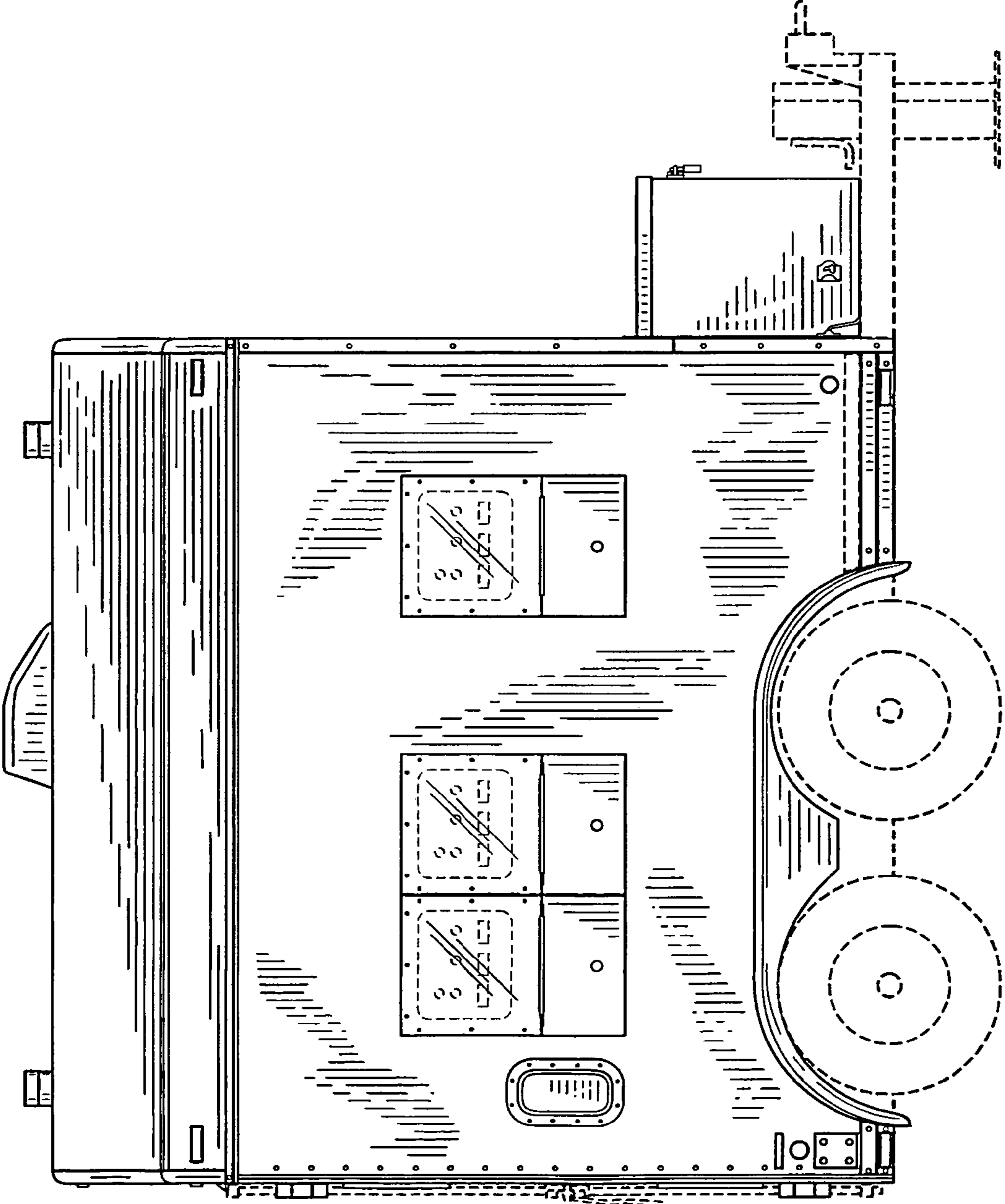
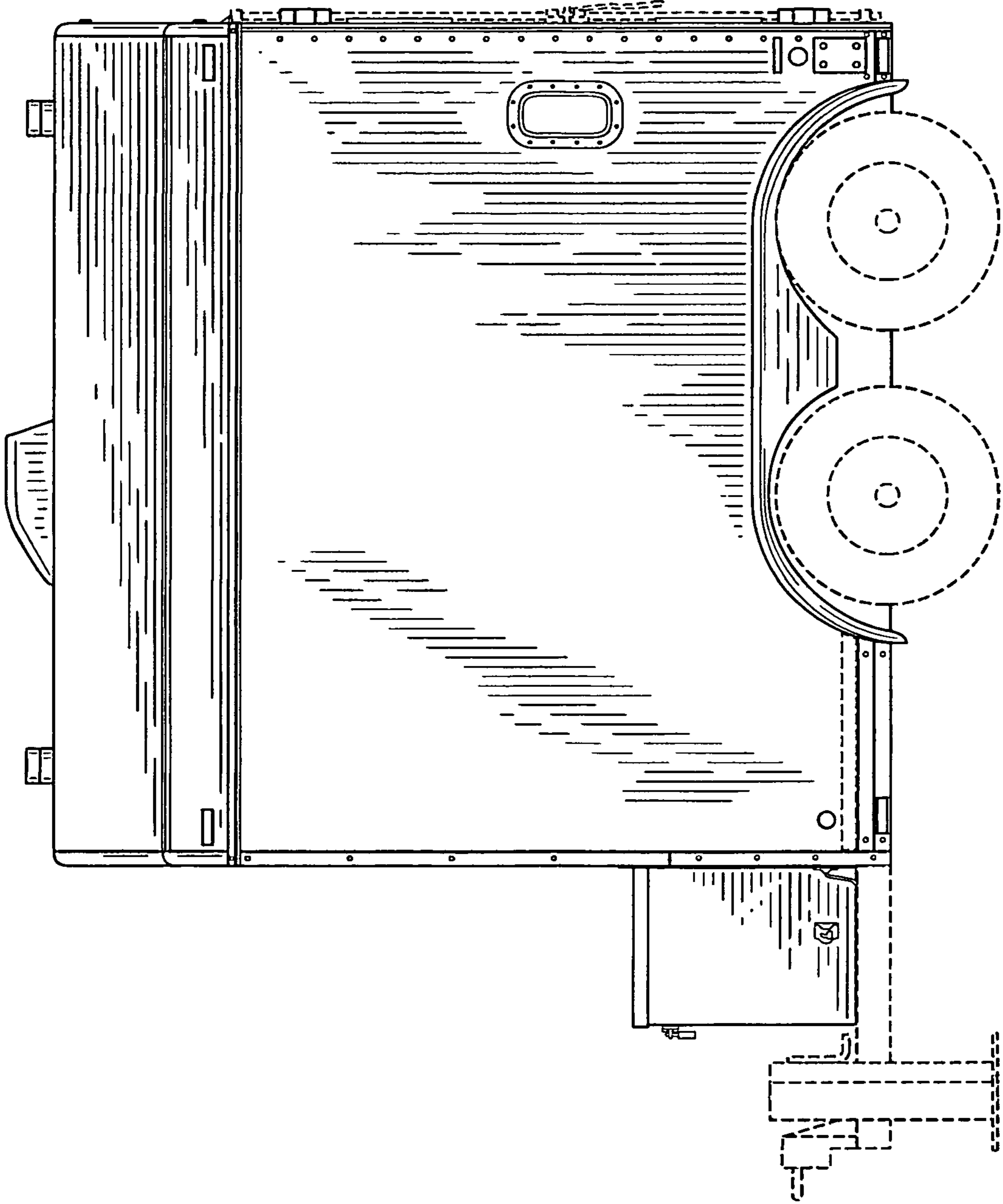


FIG. 4



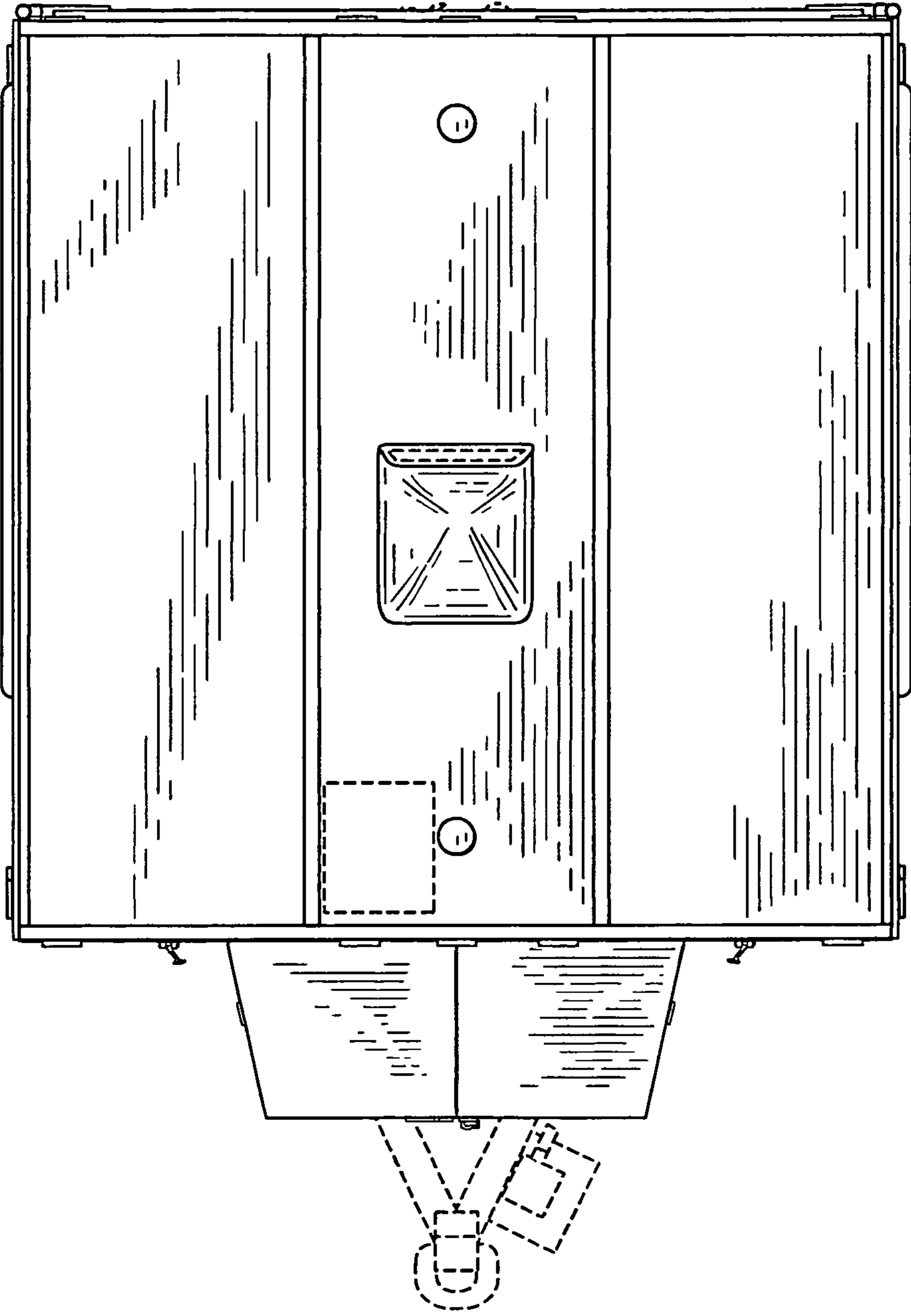


FIG. 5