



US00D691924S

(12) **United States Design Patent**
Smith

(10) **Patent No.:** **US D691,924 S**
(45) **Date of Patent:** **** Oct. 22, 2013**

(54) **VEHICLE CAB ENCLOSURE**

(76) Inventor: **Michael Glenn Smith**, Fort Worth, TX
(US)

(**) Term: **14 Years**

(21) Appl. No.: **29/423,457**

(22) Filed: **May 31, 2012**

(51) **LOC (9) Cl.** **12-16**

(52) **U.S. Cl.**
USPC **D12/96; D15/30**

(58) **Field of Classification Search**
USPC D12/96, 1, 14, 15, 16, 82, 86, 90;
D21/433; 280/DIG. 5; D15/30; D34/37
See application file for complete search history.

(56) **References Cited**

U.S. PATENT DOCUMENTS

4,133,574	A *	1/1979	Martin	296/190.09
D274,276	S *	6/1984	Martin, Jr.	D34/37
4,675,933	A *	6/1987	Martin, Jr.	15/250.3
D332,437	S *	1/1993	Lay, Jr.	D12/405
D348,553	S *	7/1994	Martin, Jr.	D34/37
D349,265	S *	8/1994	Patton	D12/14
D398,616	S *	9/1998	Kwak et al.	D15/30
D427,612	S *	7/2000	Shim	D15/23
6,220,656	B1 *	4/2001	Martin, Jr.	296/215
D463,807	S *	10/2002	Tamaru et al.	D15/30
D471,213	S *	3/2003	Kwak et al.	D15/30
6,561,572	B1 *	5/2003	Martin, Jr.	296/190.1

D523,875	S *	6/2006	Kim	D15/30
D548,753	S *	8/2007	Kim	D15/30
7,281,753	B2 *	10/2007	Curtis et al.	296/146.1
D561,205	S *	2/2008	Pettersson	D15/30
D570,381	S *	6/2008	Kato	D15/30
7,422,267	B2 *	9/2008	Curtis et al.	296/146.12
D594,037	S *	6/2009	Uemura	D15/30
D598,032	S *	8/2009	Nakanishi et al.	D15/30
7,597,385	B2 *	10/2009	Shibata et al.	296/190.11
D642,205	S *	7/2011	Yamamoto et al.	D15/30
D674,411	S *	1/2013	Masumoto et al.	D15/30
D677,205	S *	3/2013	Hirneise	D12/196

* cited by examiner

Primary Examiner — Phillip S Hyder

(74) *Attorney, Agent, or Firm* — QuickPatents; Kevin Prince

(57) **CLAIM**

I claim the ornamental design for a vehicle cab enclosure, as shown and described.

DESCRIPTION

FIG. 1 is a perspective view of a vehicle cab enclosure, showing my new design;
FIG. 2 is a left-side elevational view thereof, the right-side elevational view being a mirror image thereof;
FIG. 3 is a front elevational view thereof;
FIG. 4 is a rear elevational view thereof;
FIG. 5 is a top plan view thereof; and,
FIG. 6 is a bottom plan view thereof.
The broken lines showing a vehicle in FIG. 1 depict environmental matter and form no part of the claimed design.

1 Claim, 3 Drawing Sheets

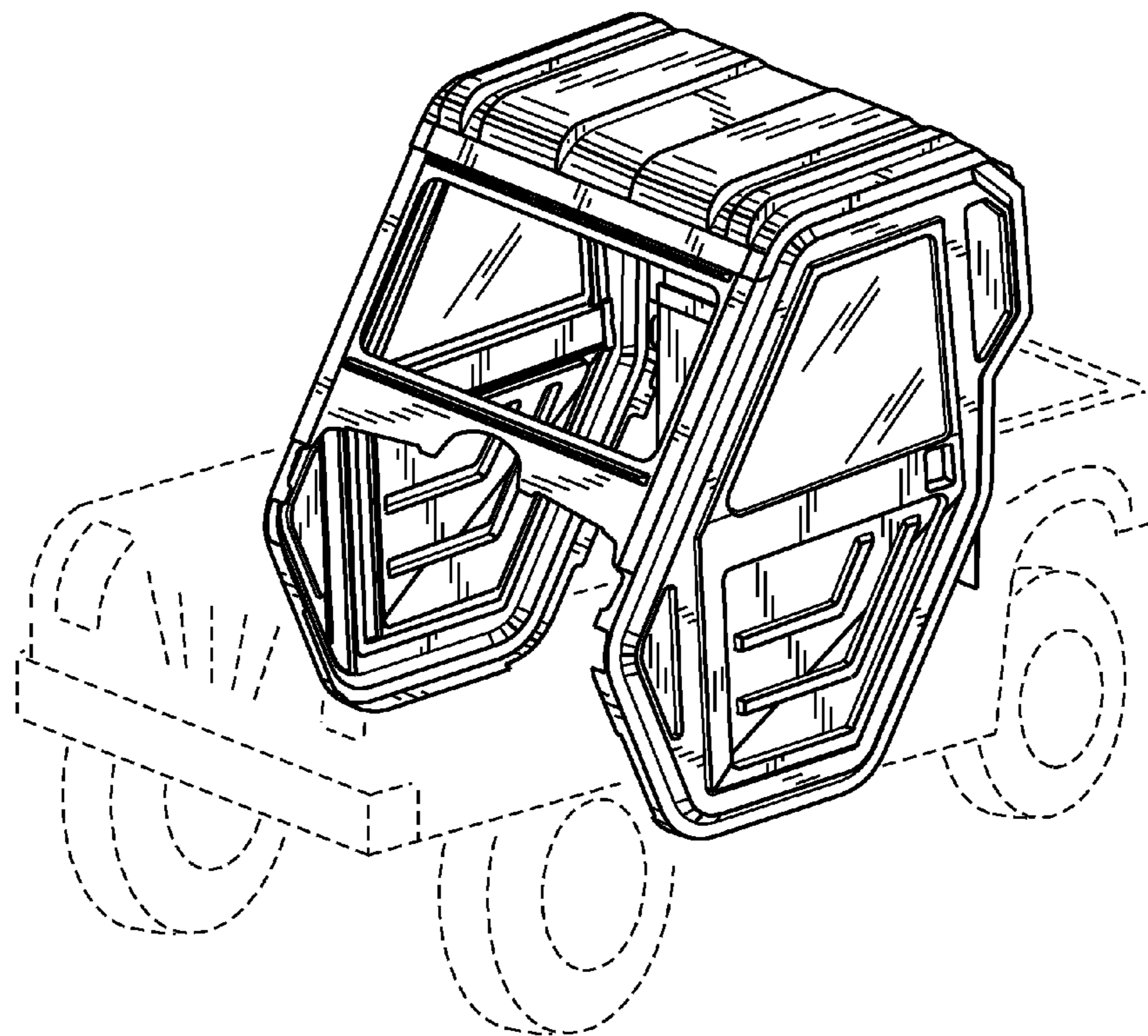


FIG. 1

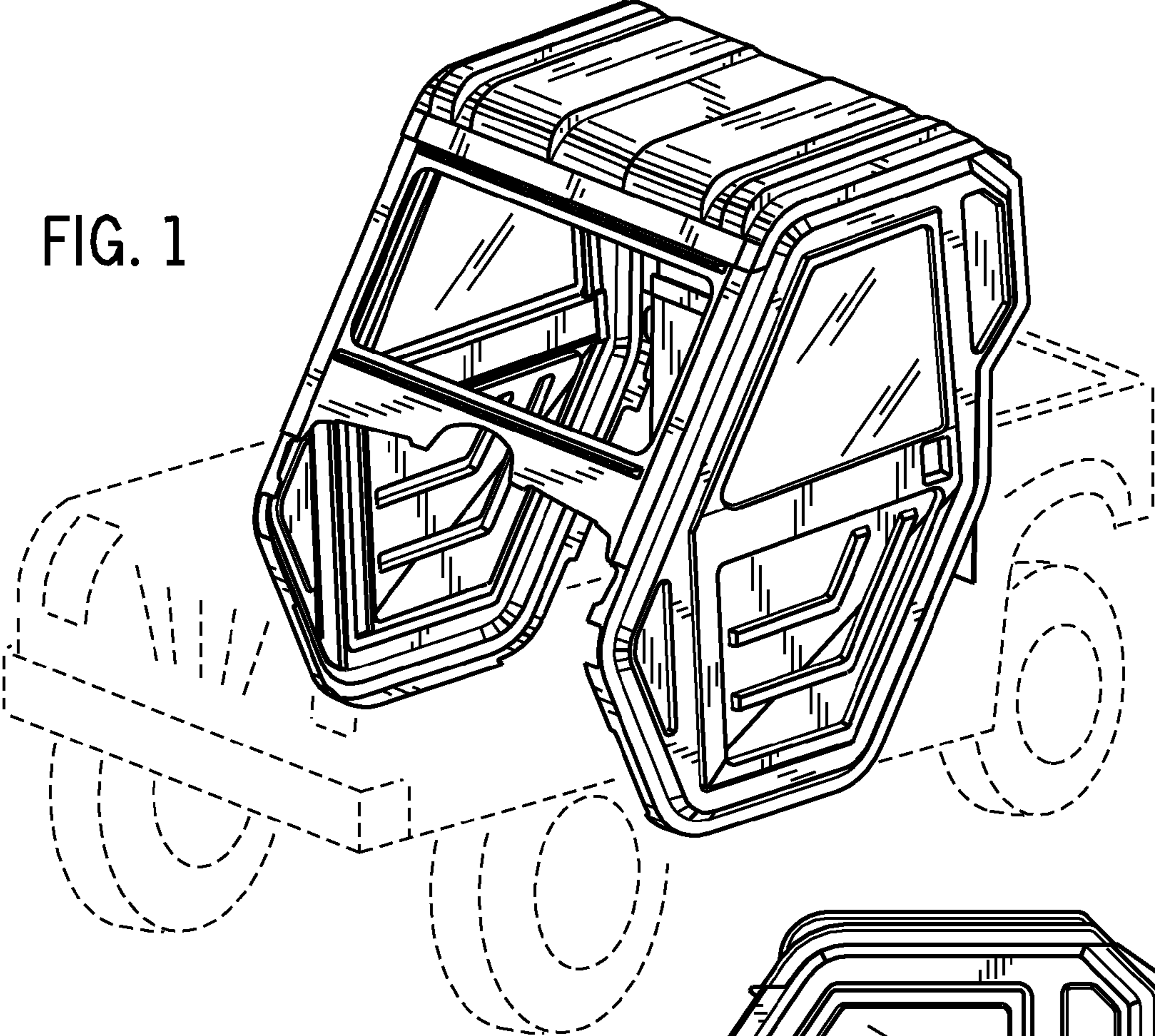
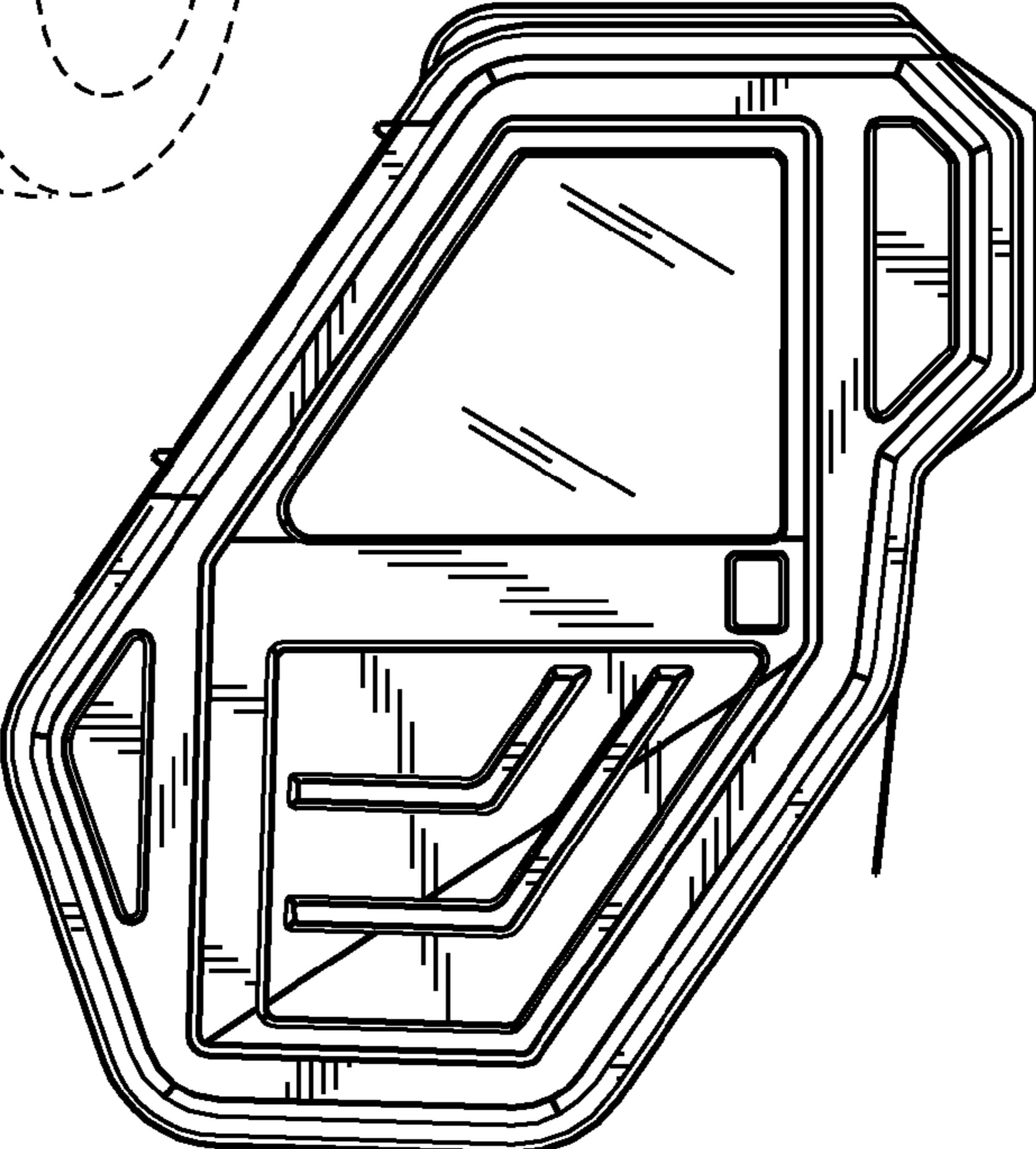


FIG. 2



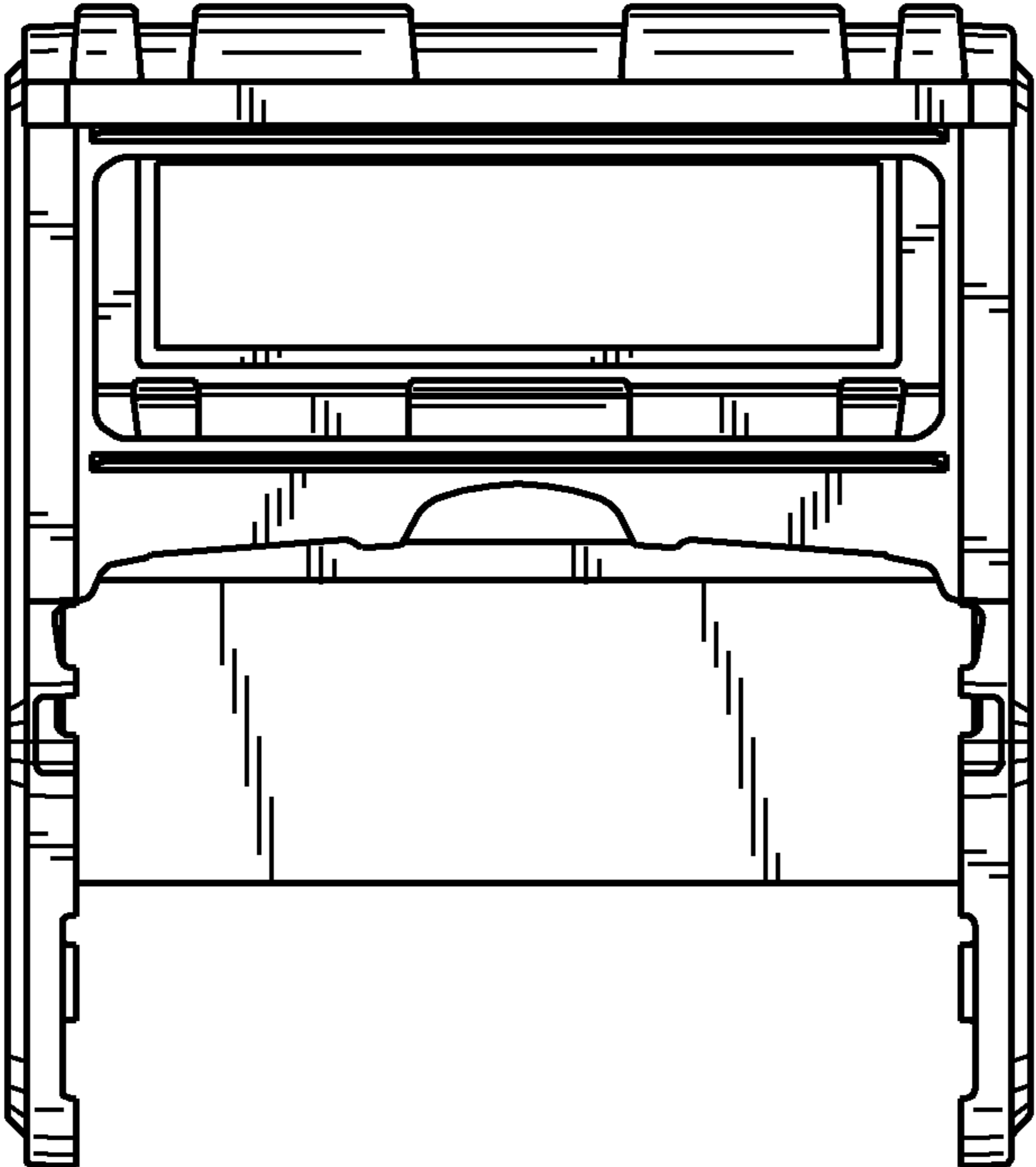


FIG. 3

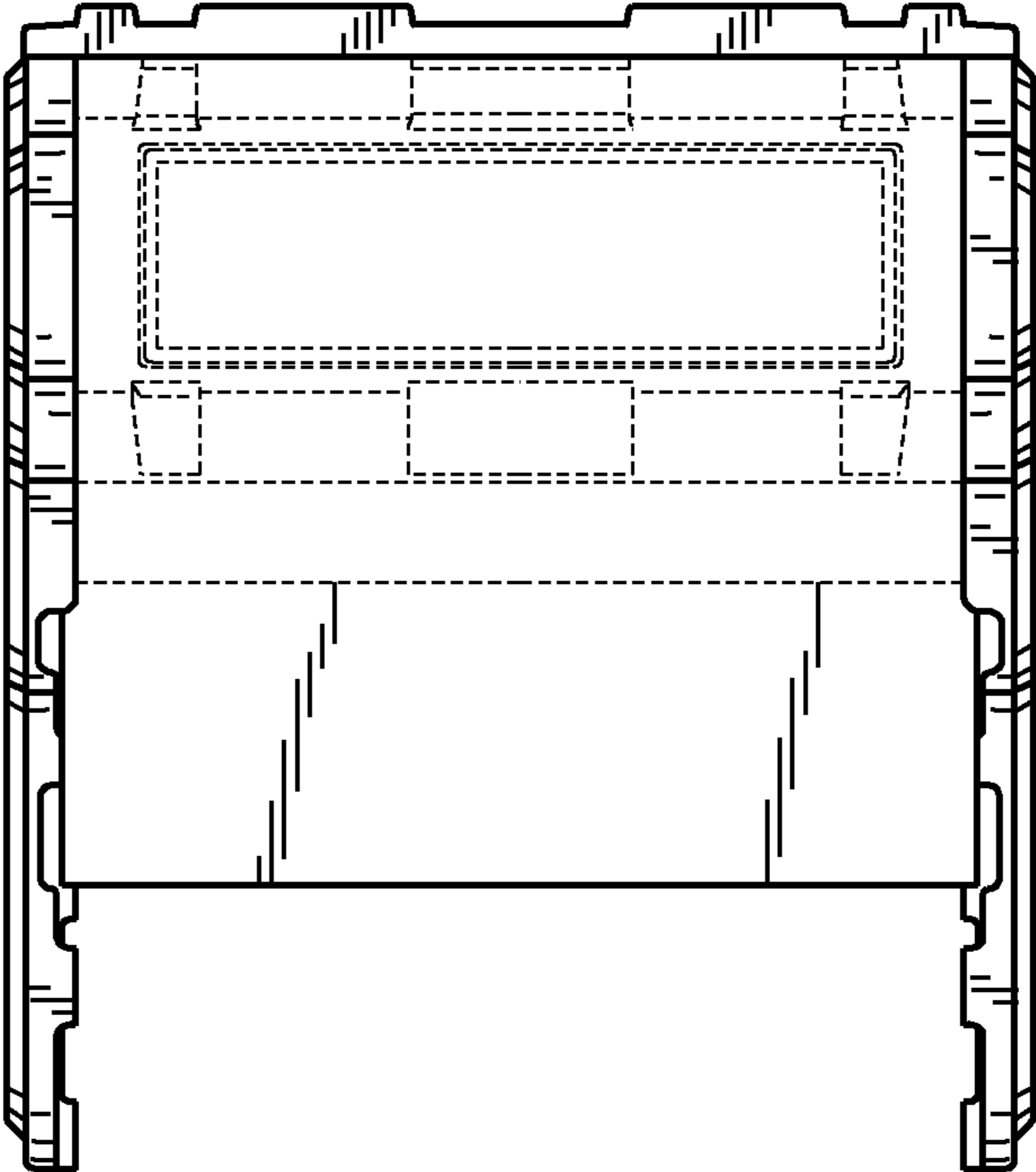


FIG. 4

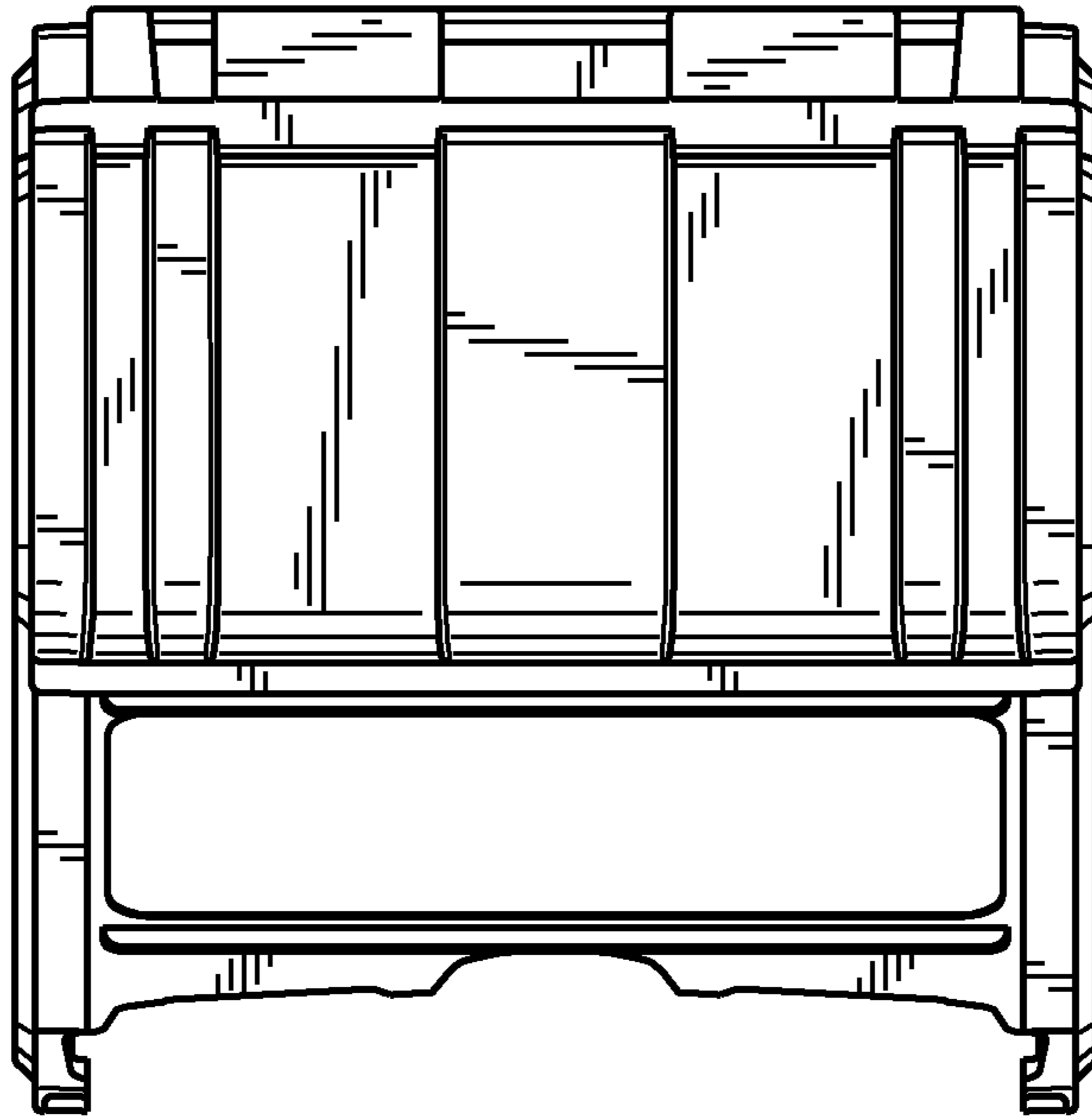


FIG. 5

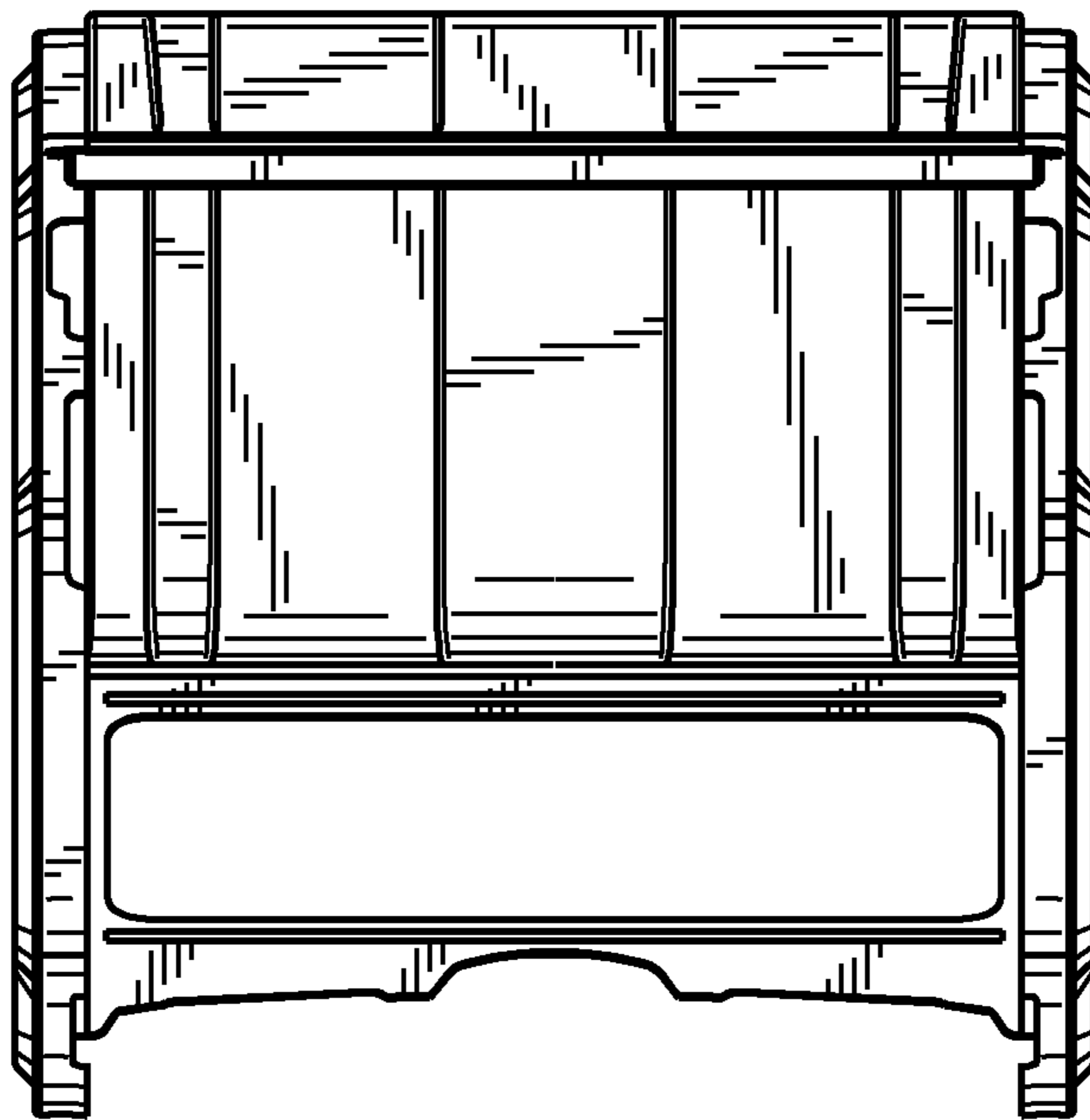


FIG. 6